



US00D709112S

(12) **United States Design Patent**
Cascio et al.

(10) **Patent No.:** **US D709,112 S**
(45) **Date of Patent:** **** Jul. 15, 2014**

(54) **PICK HOLDER**

(75) Inventors: **Russell Cascio**, Brown Deer, WI (US);
Adam Osuski, Random Lake, WI (US);
Bernard Pusheck, Cudahy, WI (US);
Justin Zunker, Port Washington, WI (US)

(73) Assignee: **Harnischfeger Technologies, Inc.**,
Wilmington, DE (US)

(**) Term: **14 Years**

(21) Appl. No.: **29/407,487**

(22) Filed: **Nov. 30, 2011**

(51) **LOC (10) Cl.** **15-09**

(52) **U.S. Cl.**
USPC **D15/140**

(58) **Field of Classification Search**
USPC D8/70-74; D15/20, 21, 28, 29, 123,
D15/124, 126, 131, 138, 140, 199; 100/902;
241/73, 74, 189.1, 193-197, 294, 300;
404/133.05, 133.1, 133.2; 405/129,
405/131, 271

See application file for complete search history.

(56) **References Cited**

U.S. PATENT DOCUMENTS

2,965,365 A 12/1960 Krekeler
3,614,164 A 10/1971 Davis

(Continued)

FOREIGN PATENT DOCUMENTS

GB 1266137 3/1972
GB 1048967 9/1988

(Continued)

OTHER PUBLICATIONS

Chilean Search Report dated Oct. 1, 2013 for Chilean Application No. 1394-2012 (6 pages).

(Continued)

Primary Examiner — Patricia Palasik

(74) *Attorney, Agent, or Firm* — Michael Best & Friedrich LLP

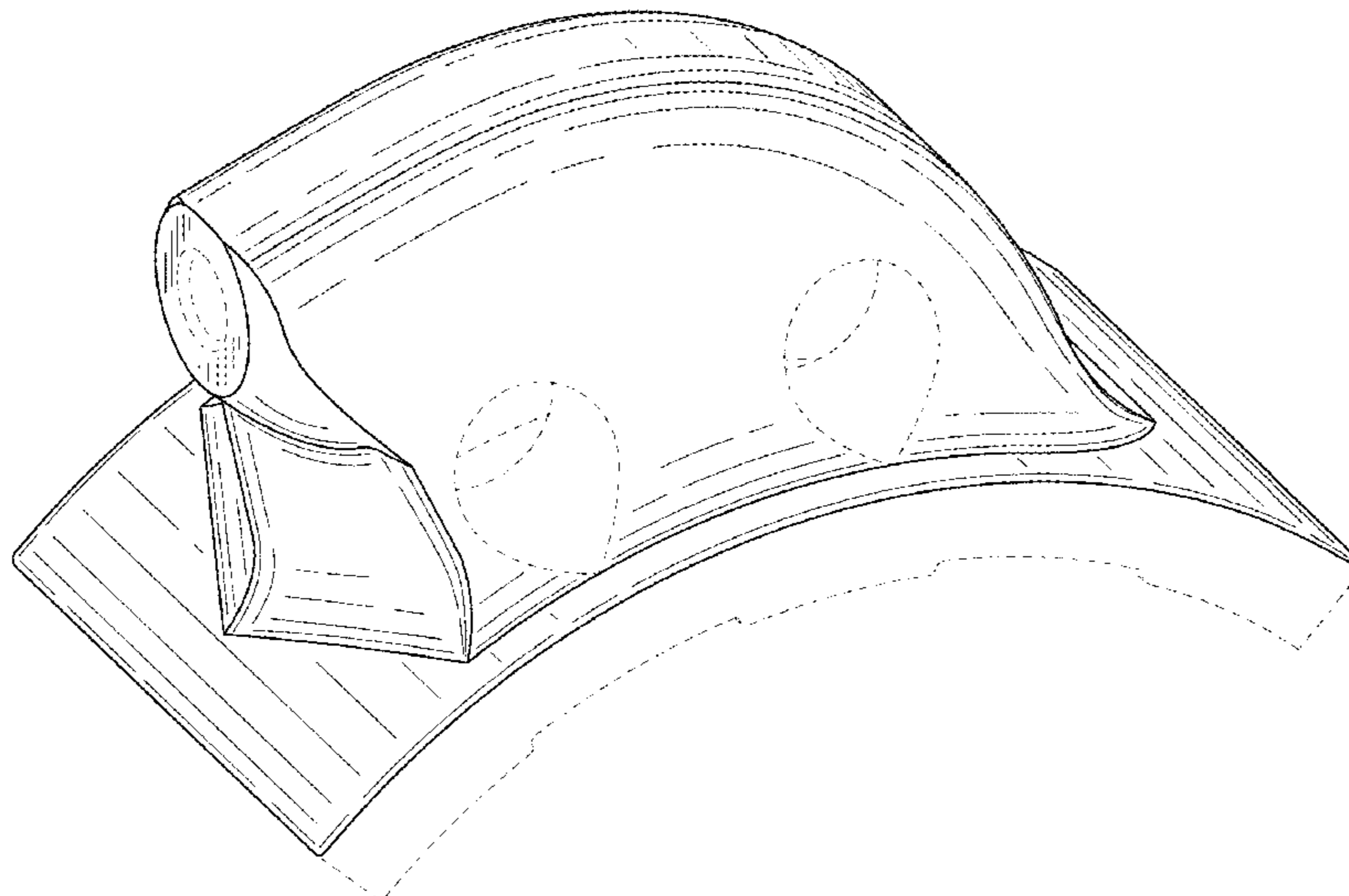
(57) **CLAIM**

The ornamental design for a pick holder, as shown and described.

DESCRIPTION

FIG. 1 is a perspective view of a pick holder.
FIG. 2 is a left side view of the pick holder shown in FIG. 1.
FIG. 3 is a right side view of the pick holder shown in FIG. 1.
FIG. 4 is a front view of the pick holder shown in FIG. 1.
FIG. 5 is a back view of the pick holder shown in FIG. 1.
FIG. 6 is a top view of the pick holder shown in FIG. 1.
FIG. 7 is a bottom view of the pick holder shown in FIG. 1.
FIG. 8 is a perspective view of a portion of the pick holder shown in FIG. 1 in a position of use to hold a pick.
FIG. 9 is a perspective view of a pick holder according to a second embodiment.
FIG. 10 is a left side view of the pick holder shown in FIG. 9.
FIG. 11 is a right side view of the pick holder shown in FIG. 9.
FIG. 12 is a front view of the pick holder shown in FIG. 9.
FIG. 13 is a back view of the pick holder shown in FIG. 9.
FIG. 14 is a top view of the pick holder shown in FIG. 9; and, FIG. 15 is a bottom view of the pick holder shown in FIG. 9.
The elements shown in broken lines are included for the purpose of illustrating environment and form no part of the claimed design.

1 Claim, 9 Drawing Sheets



(56)

References Cited

U.S. PATENT DOCUMENTS

3,913,979 A 10/1975 Strauss et al.
 4,094,611 A 6/1978 Harper et al.
 4,163,581 A 8/1979 Krekeler
 4,274,677 A 6/1981 Proctor
 4,275,929 A 6/1981 Krekeler
 4,415,208 A 11/1983 Goyarts
 4,557,525 A 12/1985 Merten et al.
 4,607,891 A 8/1986 Pendolino et al.
 4,650,254 A 3/1987 Wechner
 4,733,828 A 3/1988 Potts
 4,744,605 A 5/1988 Komotzki
 4,763,845 A 8/1988 Guggenheimer et al.
 4,828,327 A 5/1989 Wechner
 4,913,125 A 4/1990 Bunting et al.
 4,919,566 A * 4/1990 Caron et al. 404/121
 4,944,560 A 7/1990 Osterwise
 5,011,229 A 4/1991 O'Neill et al.
 5,441,206 A 8/1995 Schade et al.
 5,769,505 A 6/1998 Siddle et al.
 6,764,140 B2 7/2004 Carson, Jr. et al.
 7,073,870 B2 7/2006 Tillessen et al.
 D560,232 S 1/2008 De Martiis

D576,183 S 9/2008 De Martiis
 D602,505 S 10/2009 Ruvang
 7,694,443 B2 4/2010 Gabela et al.
 8,020,800 B2 9/2011 Potts
 D682,900 S * 5/2013 Parrott D15/140
 8,506,019 B2 * 8/2013 Monyak et al. 299/104
 2001/0022465 A1 * 9/2001 Mondy 299/102
 2004/0251360 A1 12/2004 Everson et al.
 2009/0273225 A1 11/2009 Hall et al.
 2010/0194176 A1 * 8/2010 Lucek et al. 299/29
 2012/0068527 A1 * 3/2012 Erdmann et al. 299/106
 2012/0132740 A1 5/2012 Cascio et al.

FOREIGN PATENT DOCUMENTS

WO 99/54049 10/1999
 WO 2004/018106 3/2004

OTHER PUBLICATIONS

Co-pending Design U.S. Appl. No. 29/407,489, filed Nov. 30, 2011.
 Australian Patent Examination Report No. 1 for Australian Application No. 2011253666 dated Nov. 1, 2013 (4 pages).

* cited by examiner

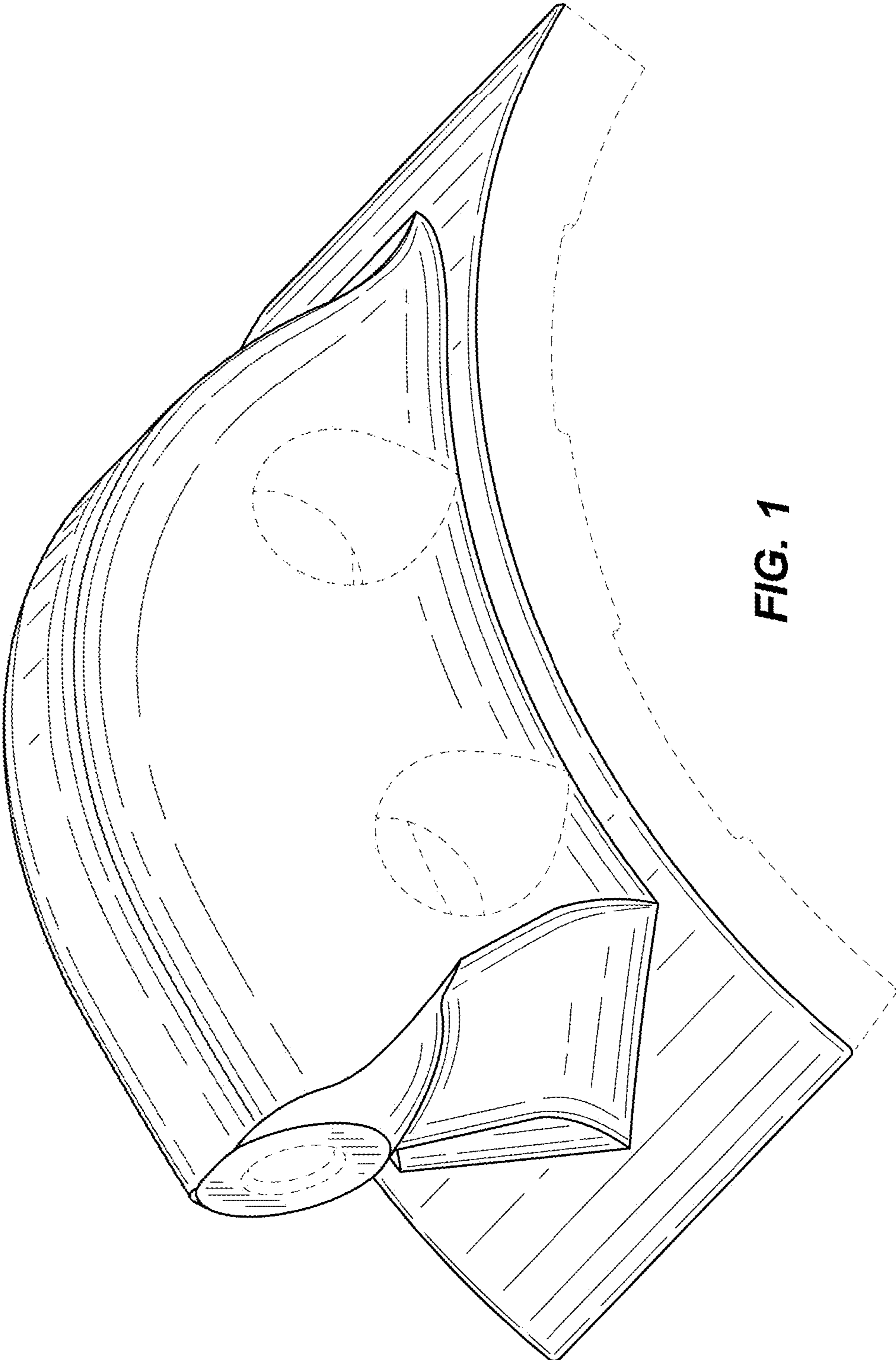
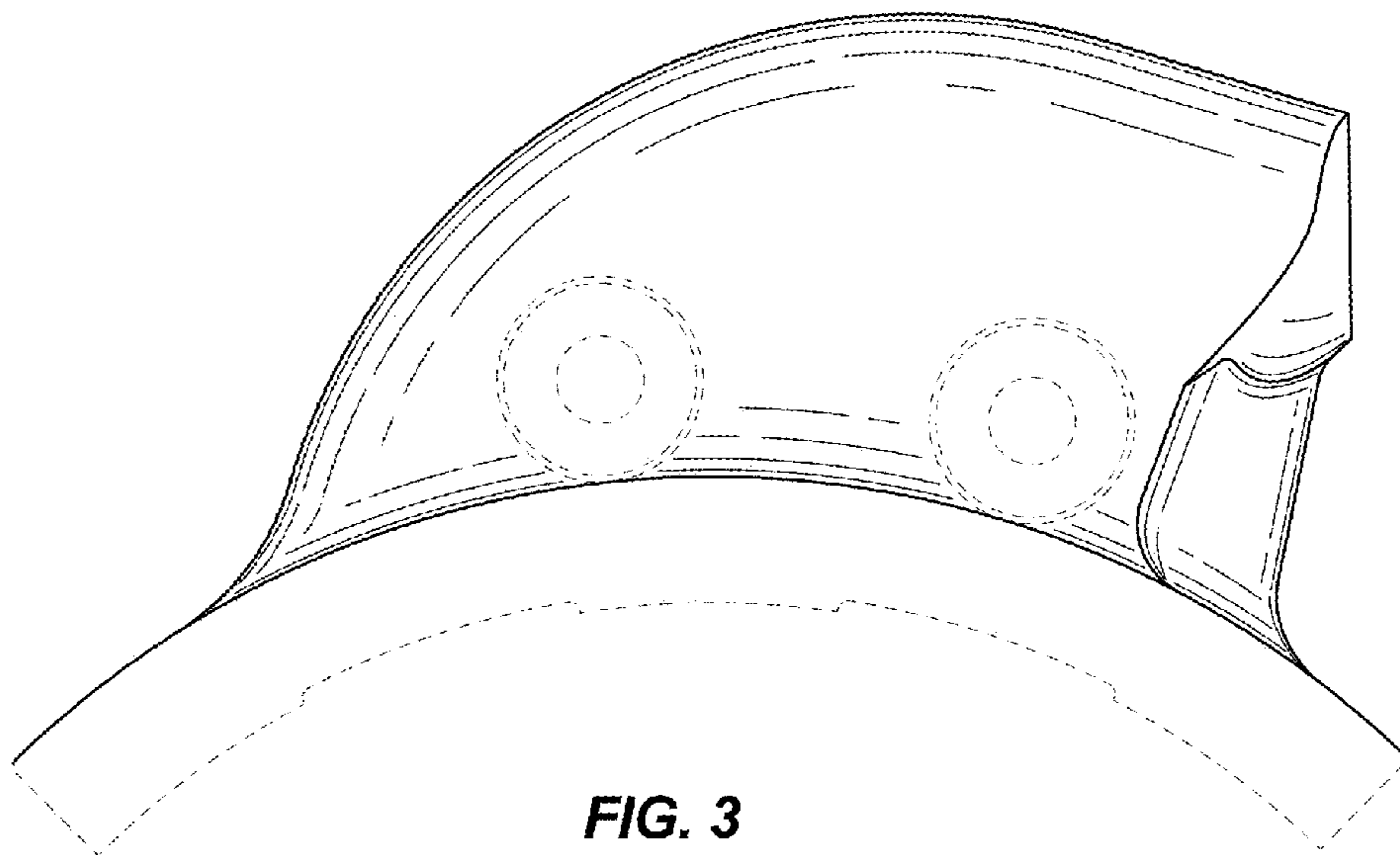
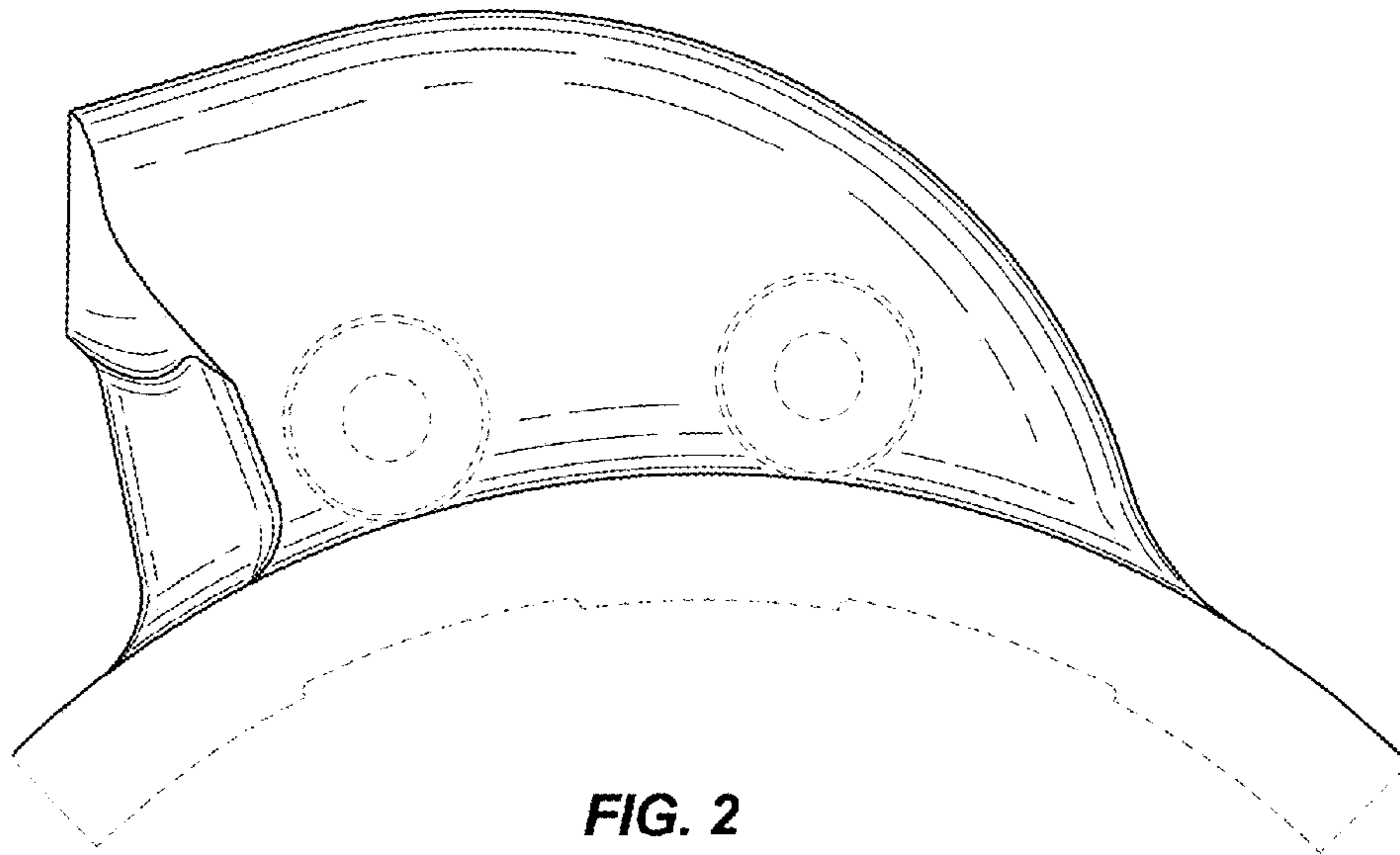


FIG. 1



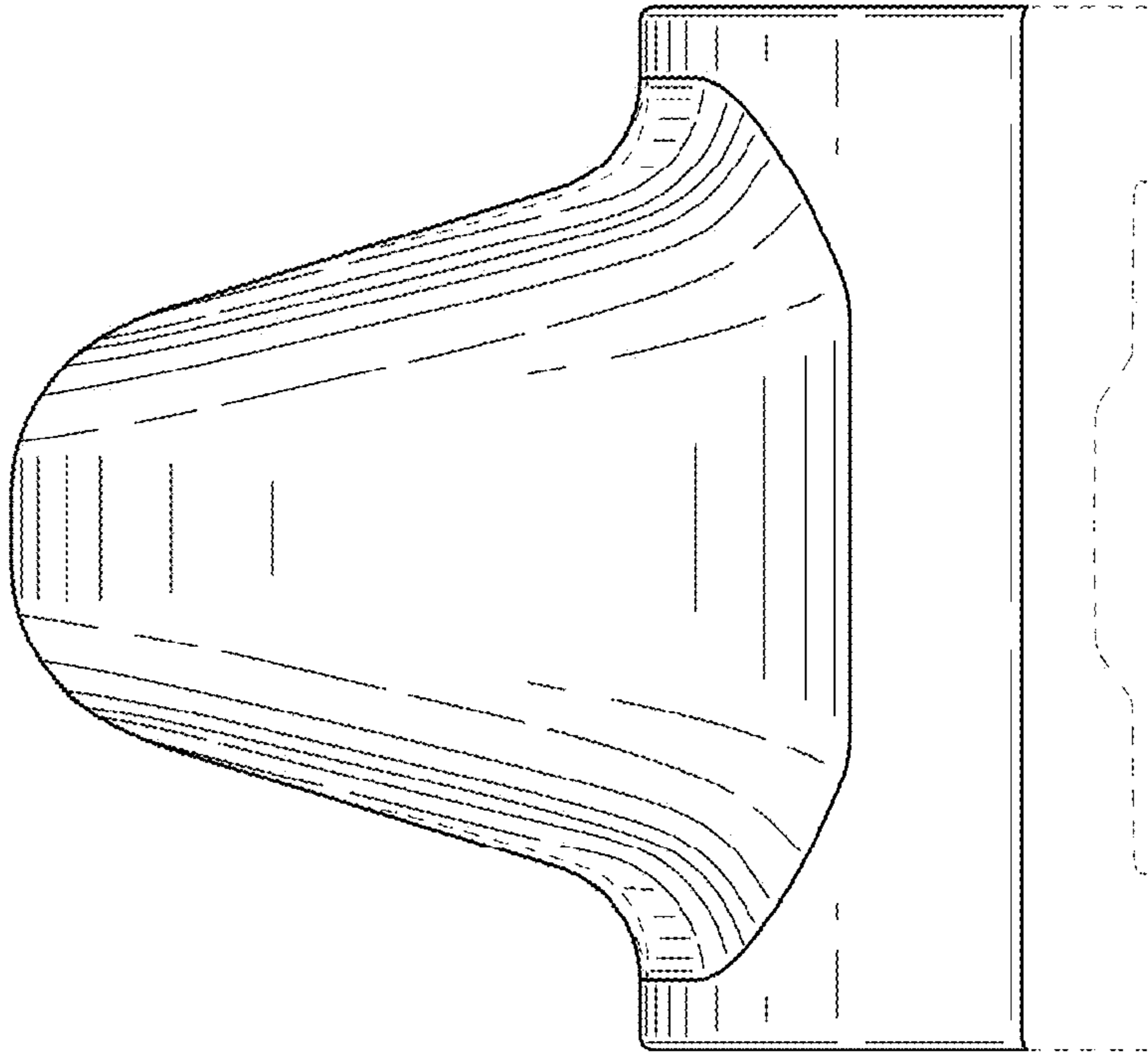


FIG. 5

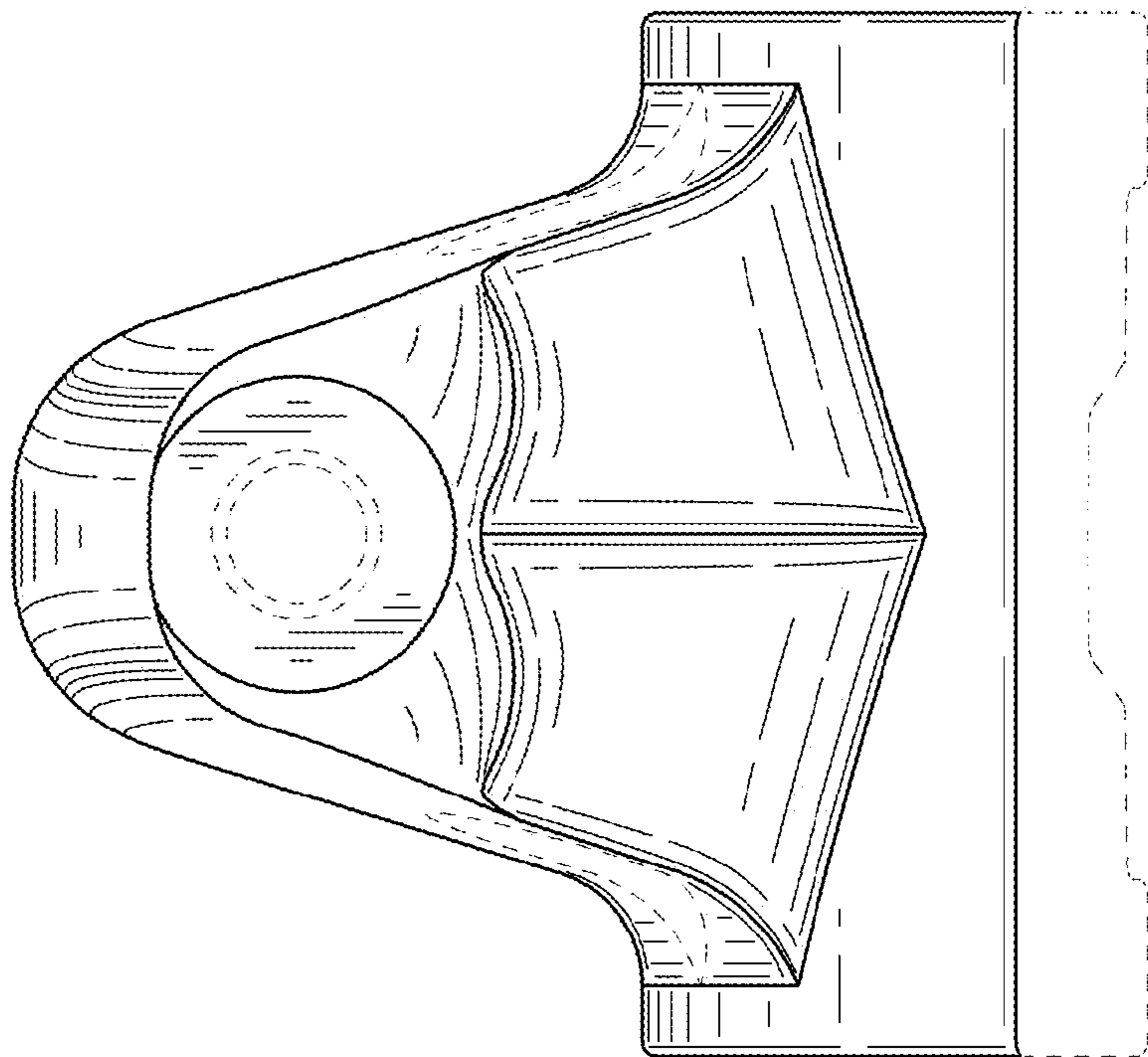


FIG. 4

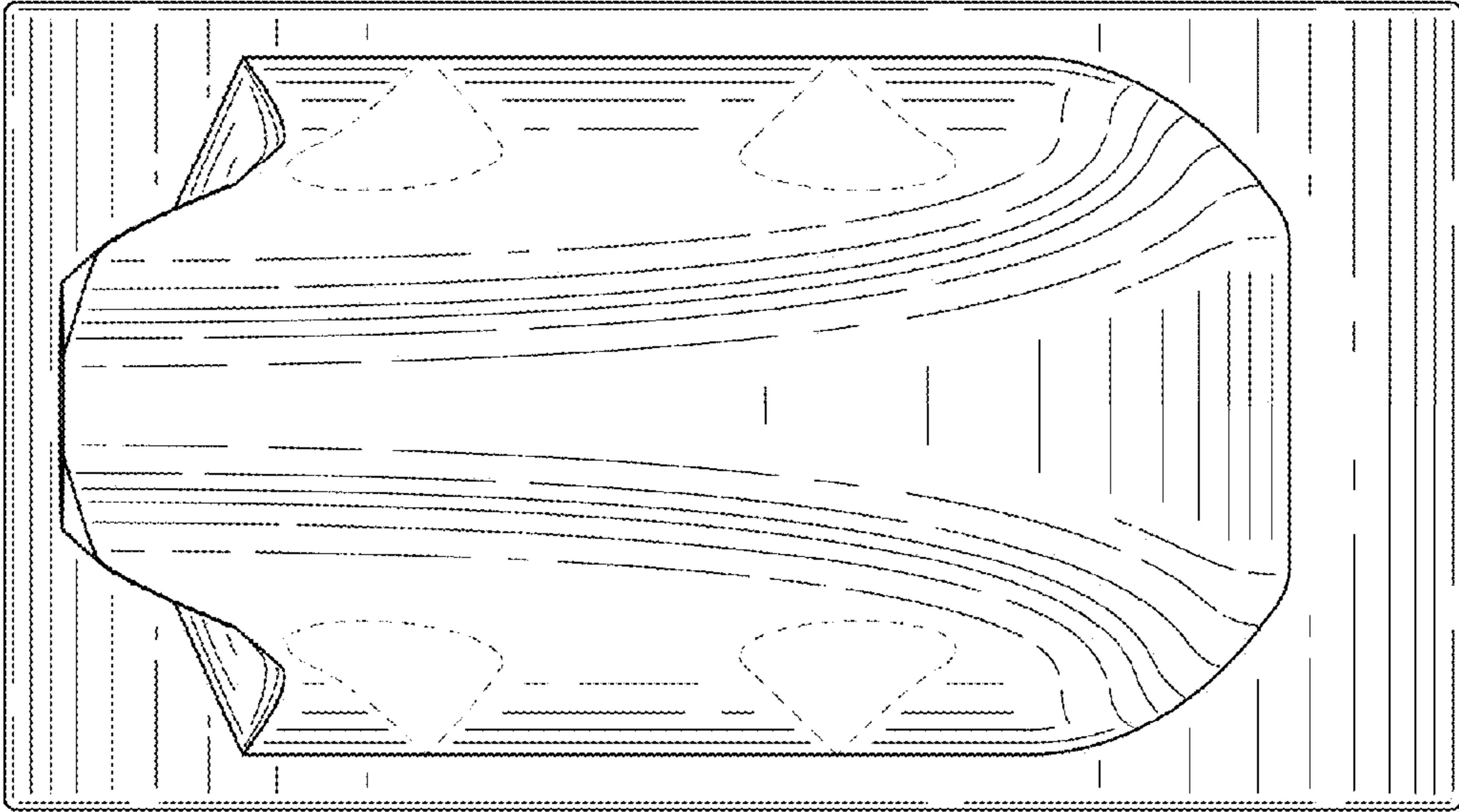


FIG. 6

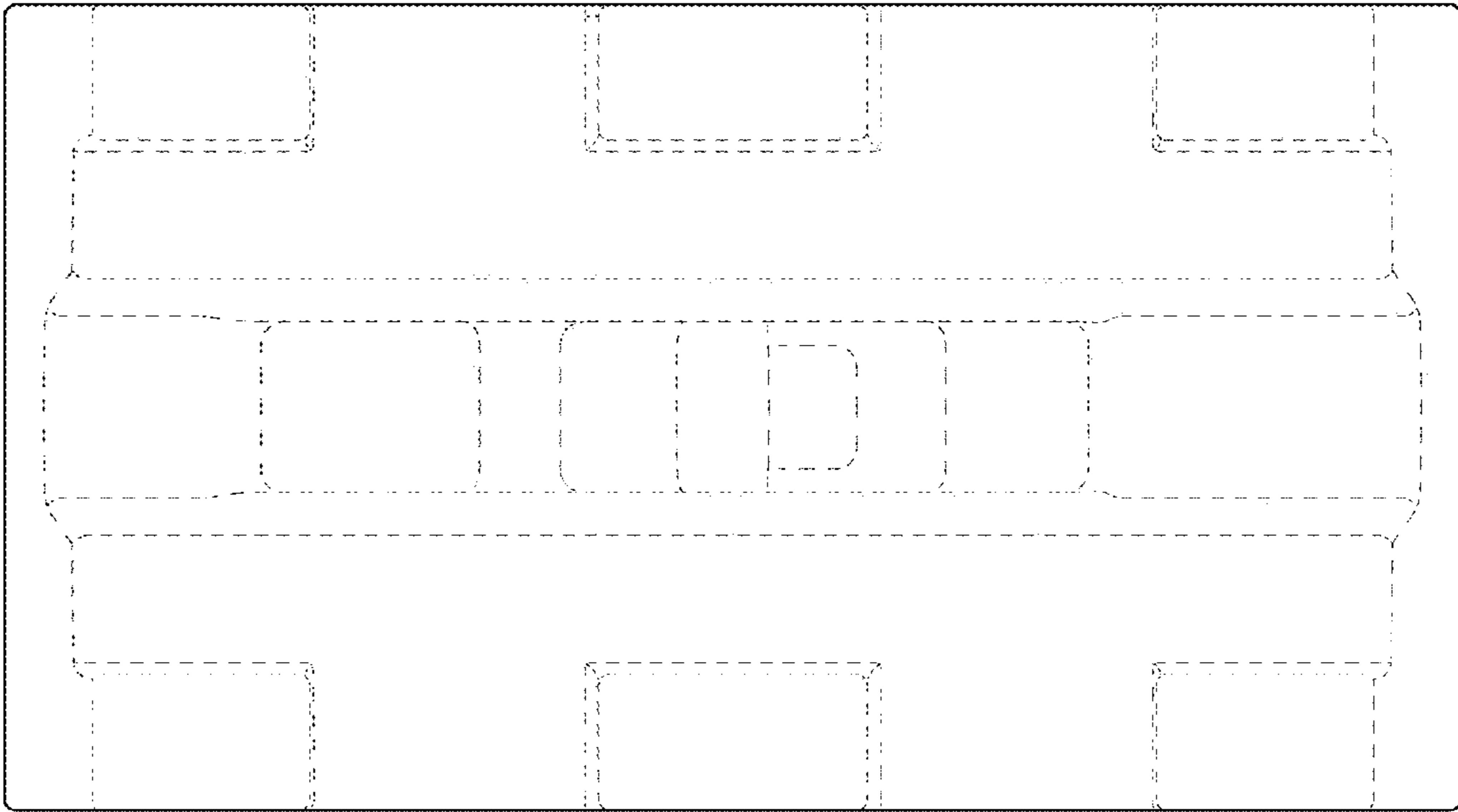


FIG. 7

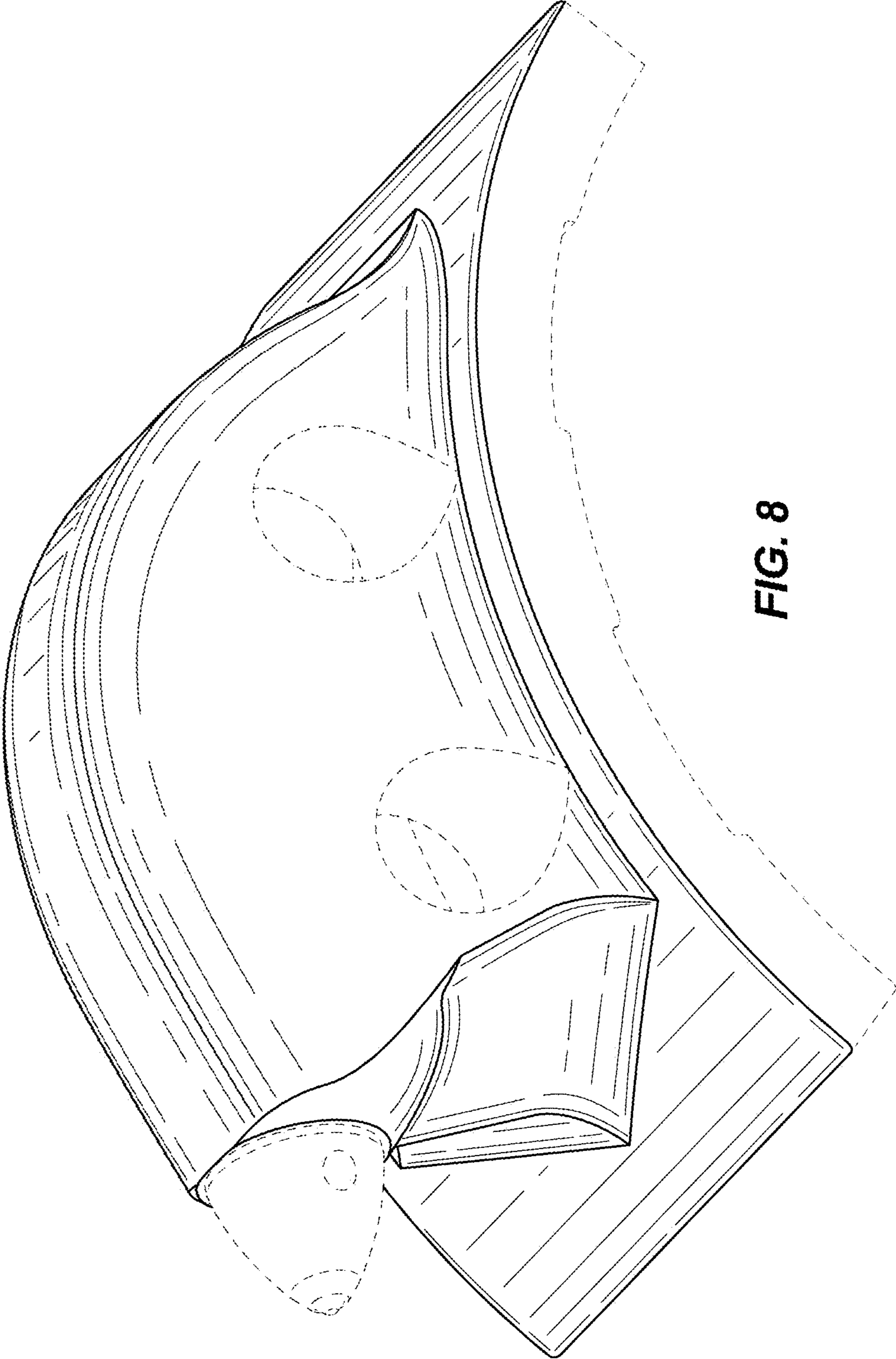


FIG. 8

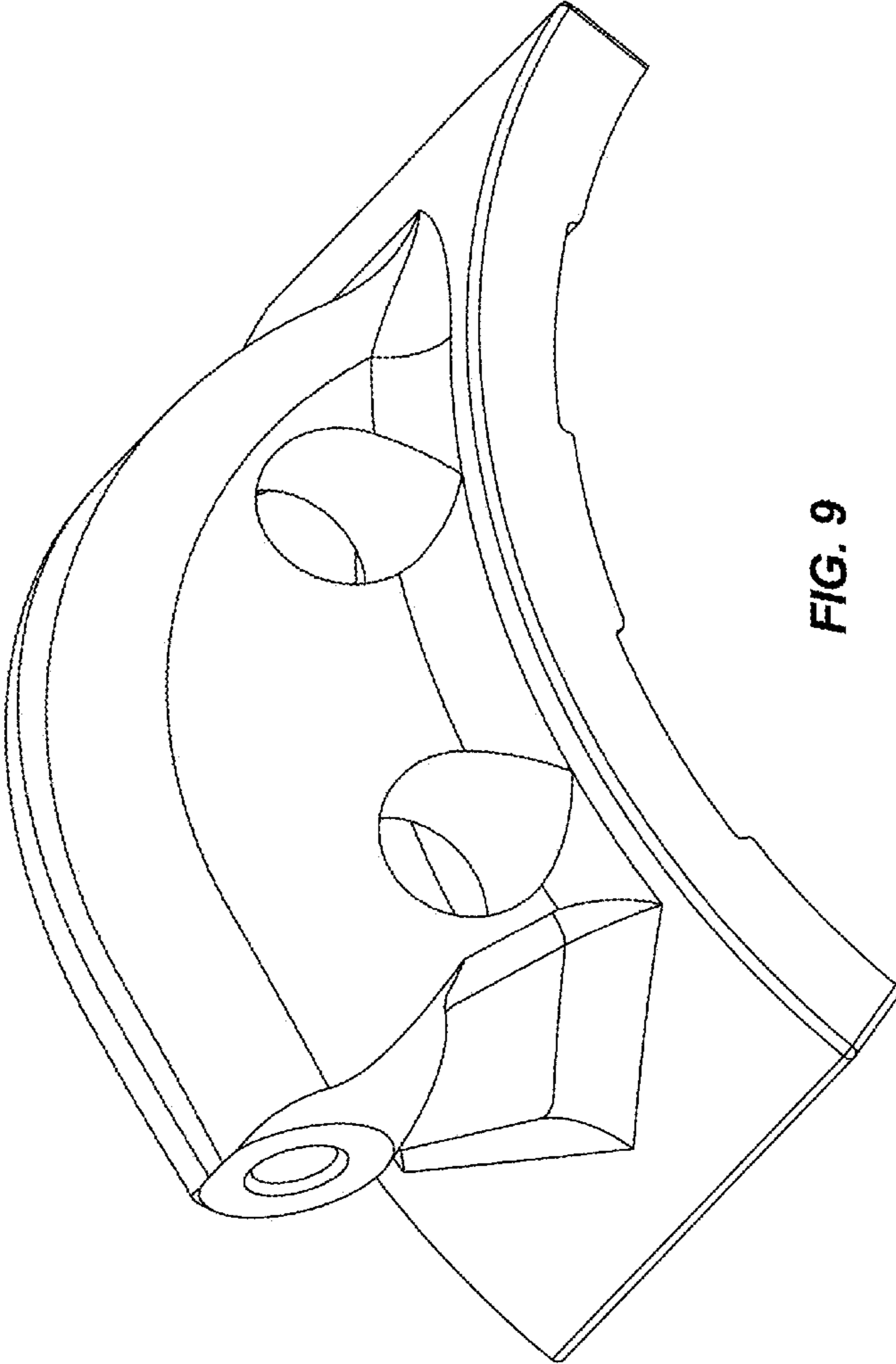


FIG. 9

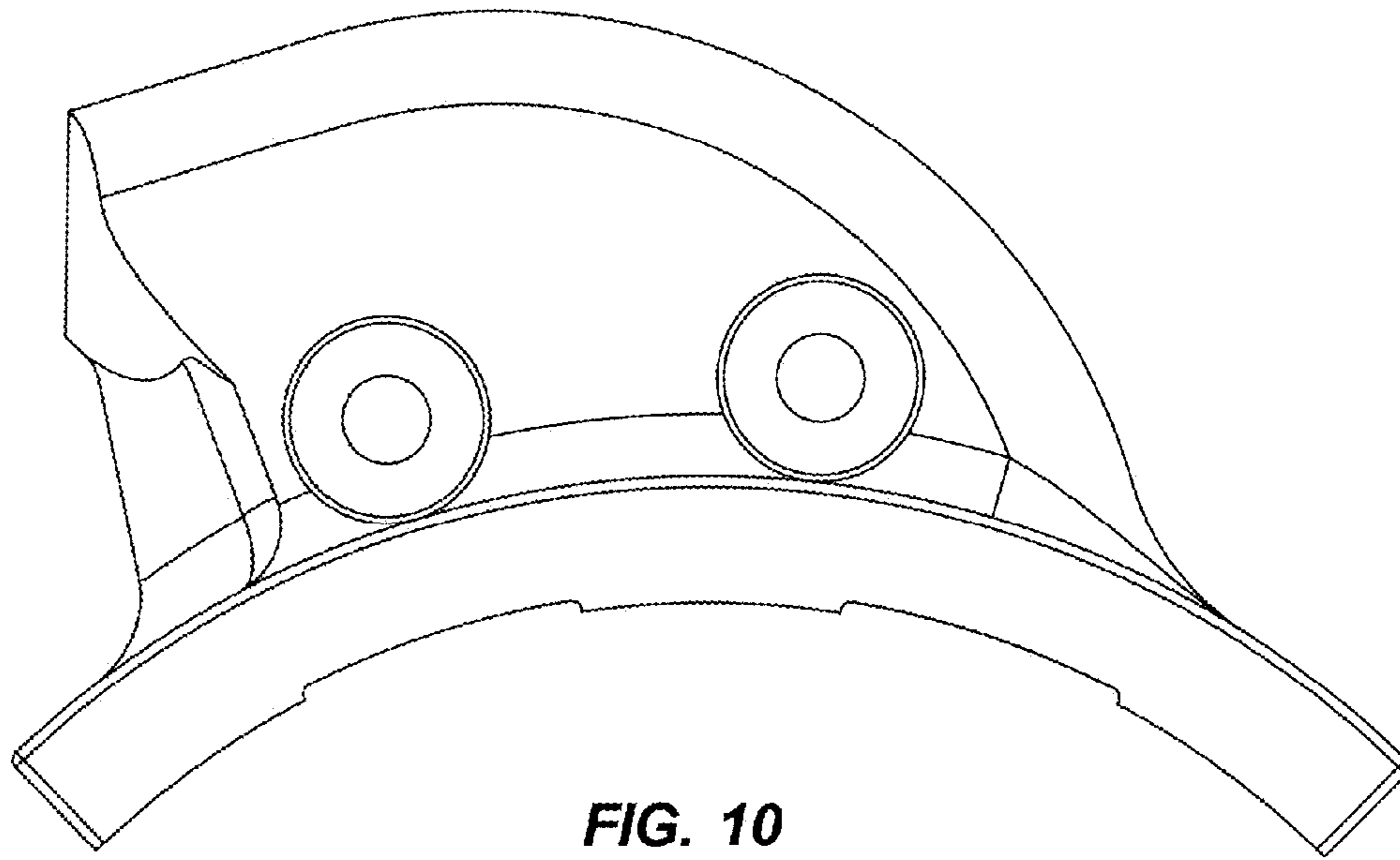


FIG. 10

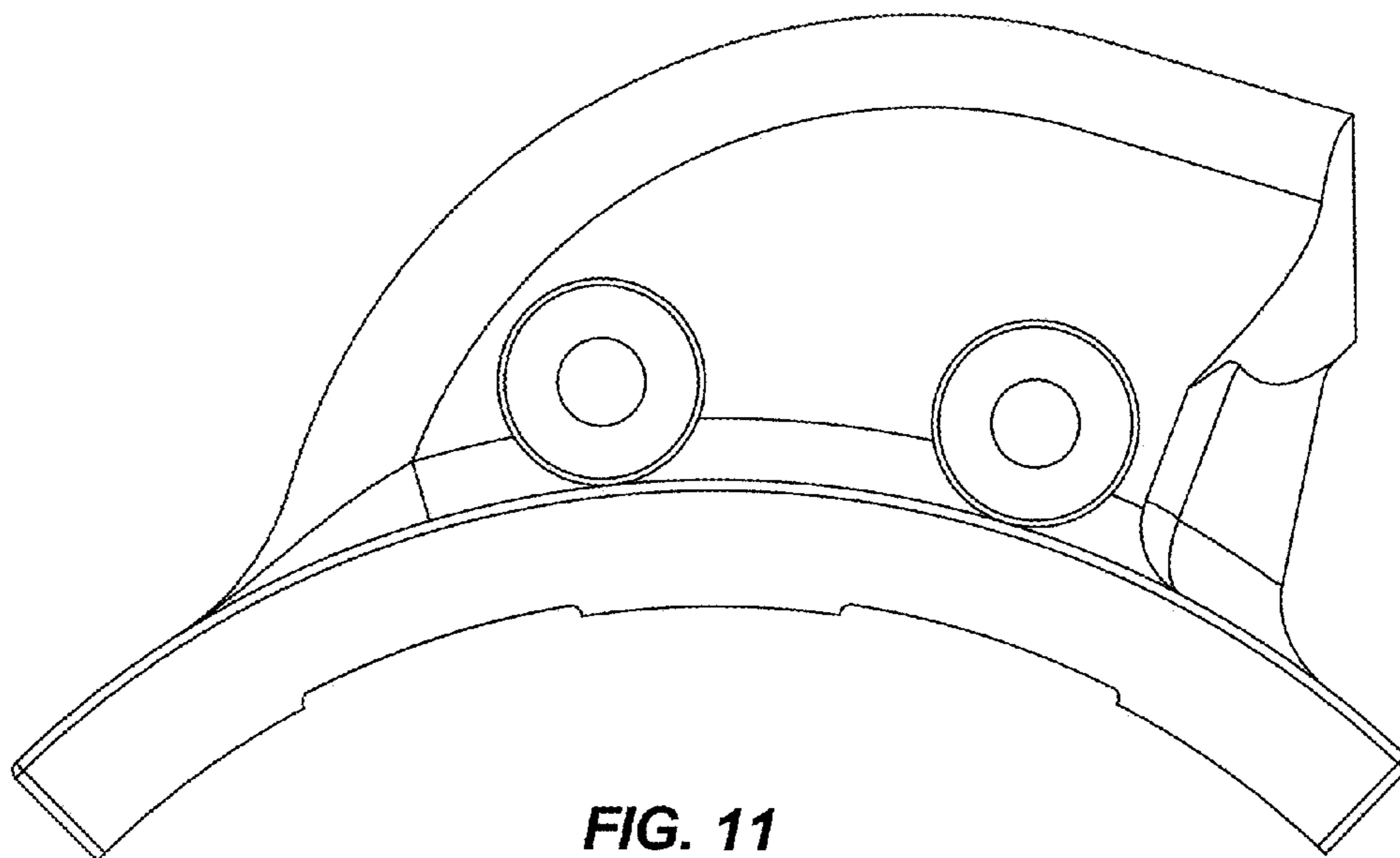


FIG. 11

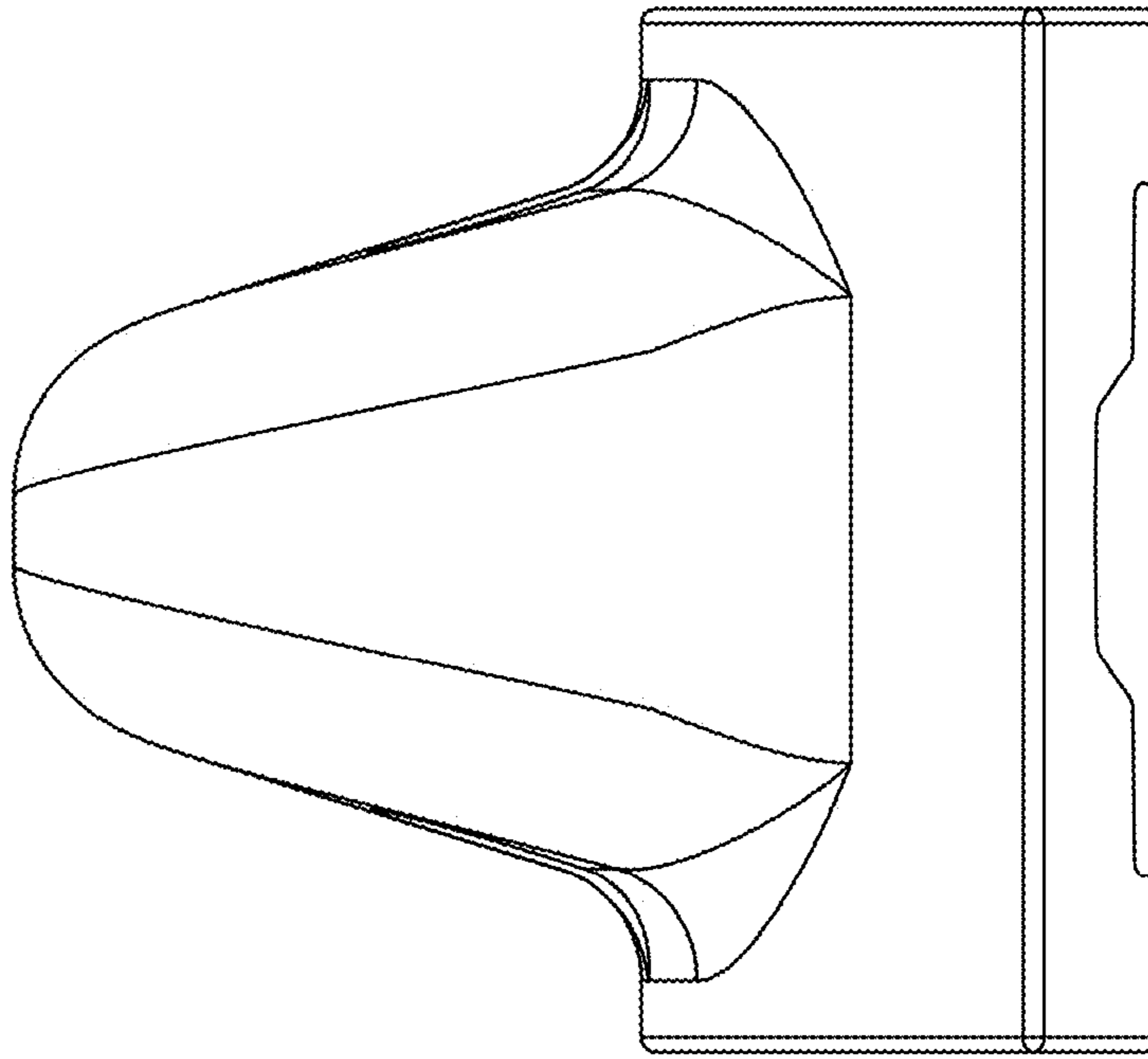


FIG. 12

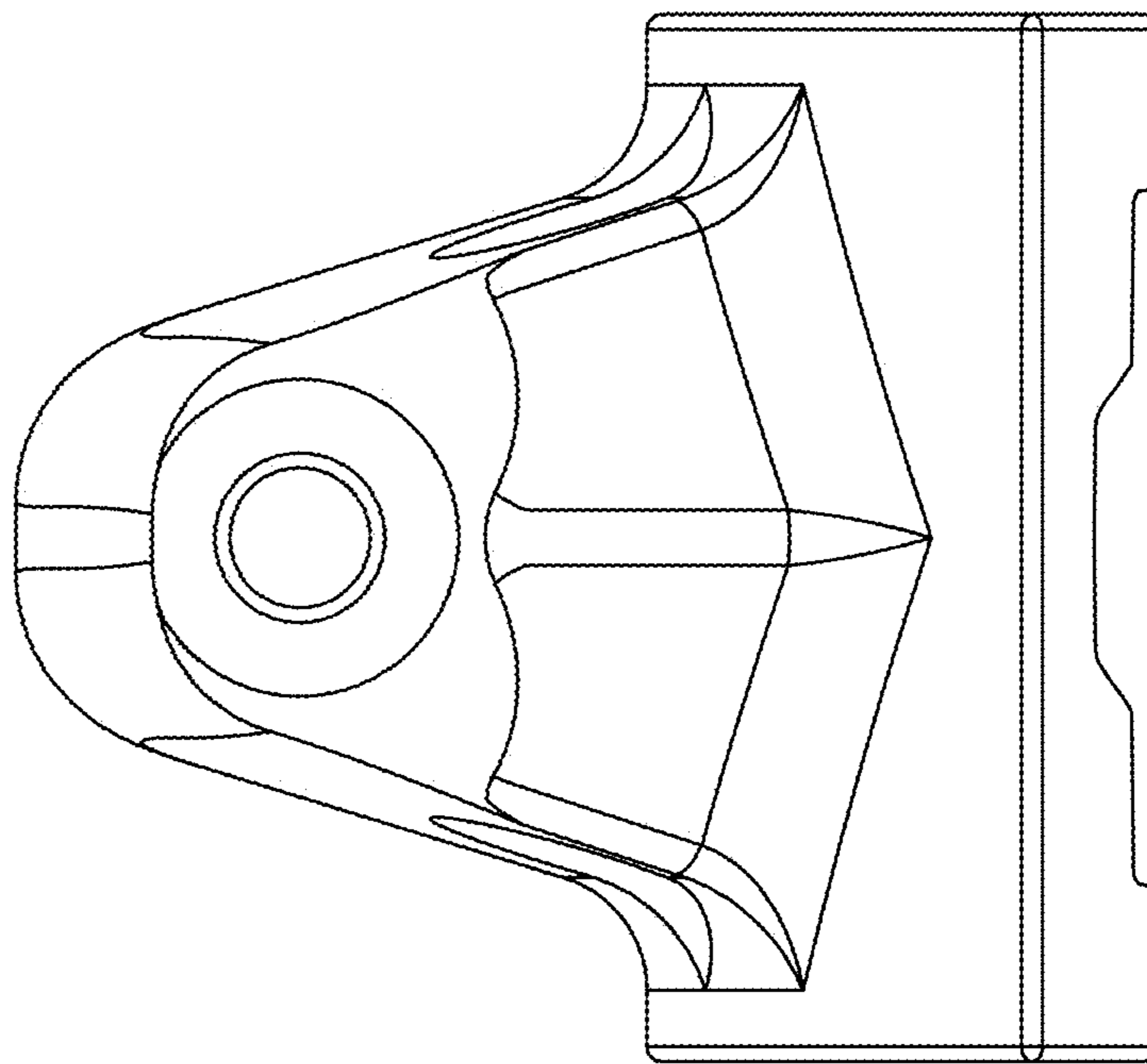


FIG. 13

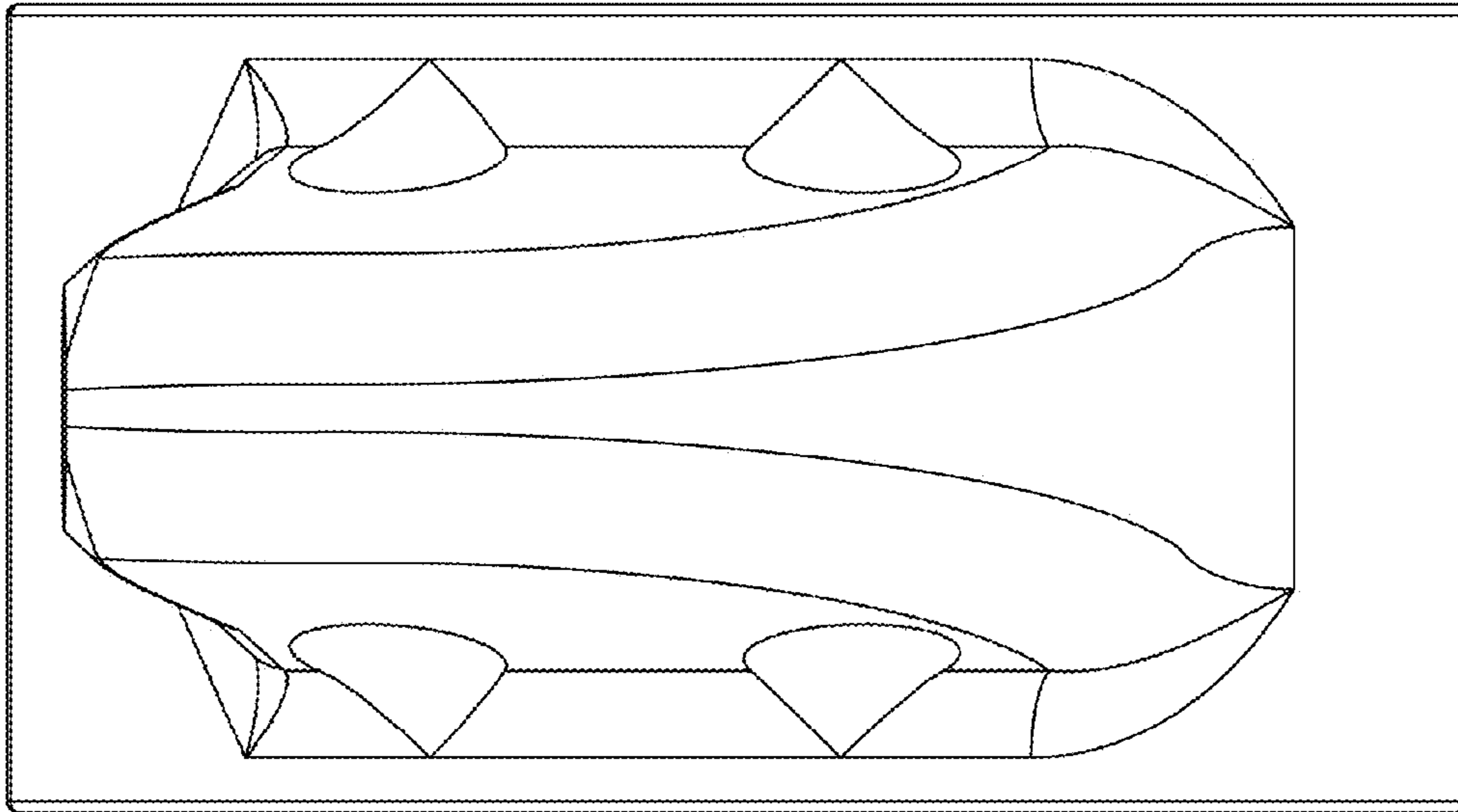


FIG. 14

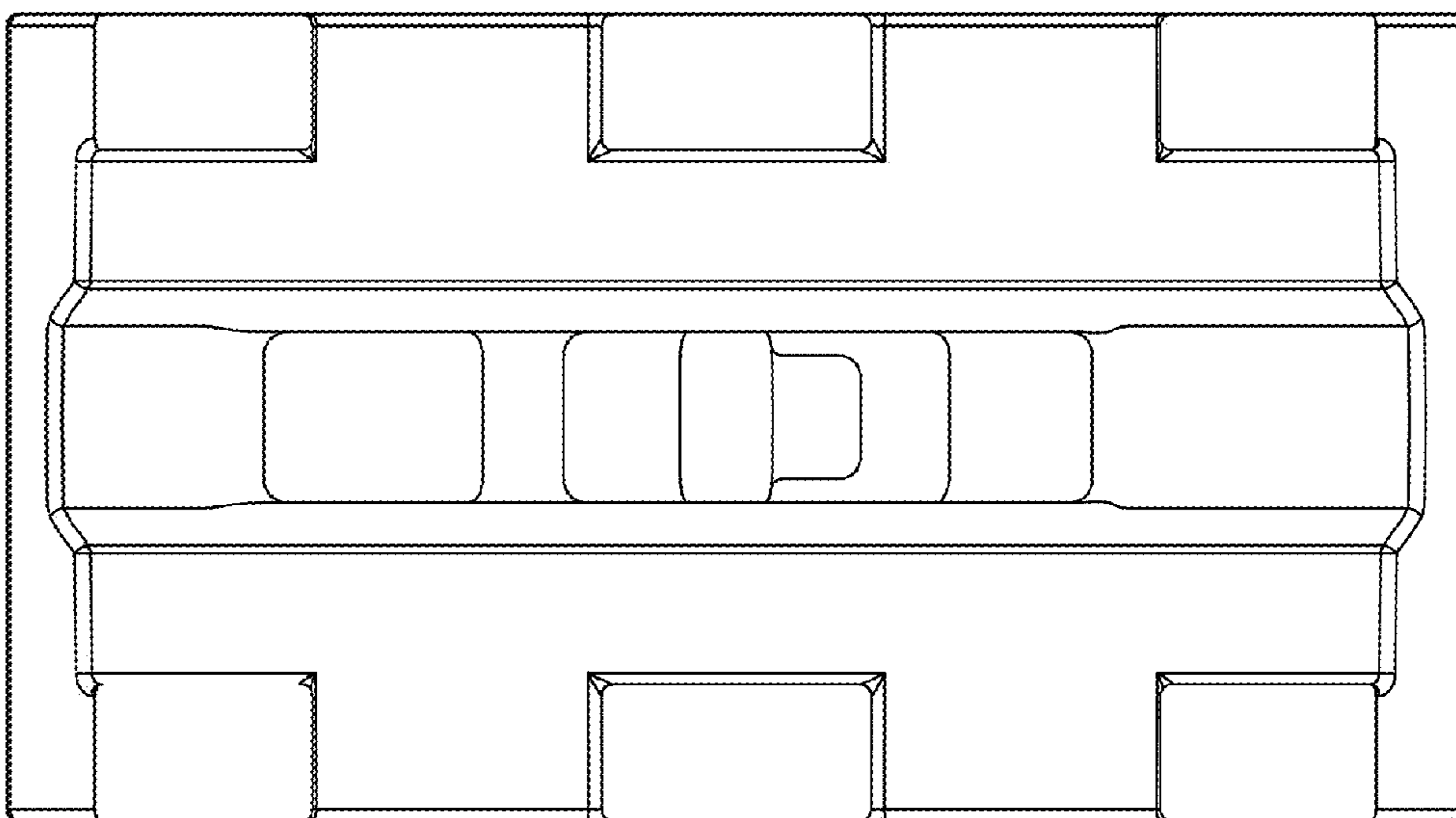


FIG. 15