



US00D709111S

(12) **United States Design Patent**
Liao et al.

(10) **Patent No.:** **US D709,111 S**

(45) **Date of Patent:** **** *Jul. 15, 2014**

(54) **WOODWORKING DRILL BIT**

(71) Applicants: **Chung-Liang Liao**, Taichung Hsien (TW); **Chung-Hung Liao**, Taichung Hsien (TW); **Jen-Sheng Liao**, Taichung Hsien (TW)

(72) Inventors: **Chung-Liang Liao**, Taichung Hsien (TW); **Chung-Hung Liao**, Taichung Hsien (TW); **Jen-Sheng Liao**, Taichung Hsien (TW)

(*) Notice: This patent is subject to a terminal disclaimer.

(**) Term: **14 Years**

(21) Appl. No.: **29/444,643**

(22) Filed: **Feb. 1, 2013**

(51) **LOC (10) Cl.** **15-09**

(52) **U.S. Cl.**
USPC **D15/139**

(58) **Field of Classification Search**
USPC D8/70; D15/21, 131, 132, 138, 139, D15/140; 76/102, 115; 83/845; 403/331, 403/381; 407/9, 33, 34, 42, 54, 63, 110, 407/113-115; 408/210-214, 215, 219, 222, 408/223, 224, 226-230, 240; 433/72, 165; 470/198; 606/80

See application file for complete search history.

(56) **References Cited**

U.S. PATENT DOCUMENTS

5,842,267	A	*	12/1998	Biederman et al.	29/558
D504,446	S	*	4/2005	Kobayashi	D15/139
D544,892	S	*	6/2007	Watson et al.	D15/139
D585,920	S	*	2/2009	Liao et al.	D15/139
D608,802	S	*	1/2010	Ibarra et al.	D15/139
D687,871	S	*	8/2013	Liao et al.	D15/139

* cited by examiner

Primary Examiner — Patricia Palasik

(74) *Attorney, Agent, or Firm* — Rosenberg, Klein & Lee

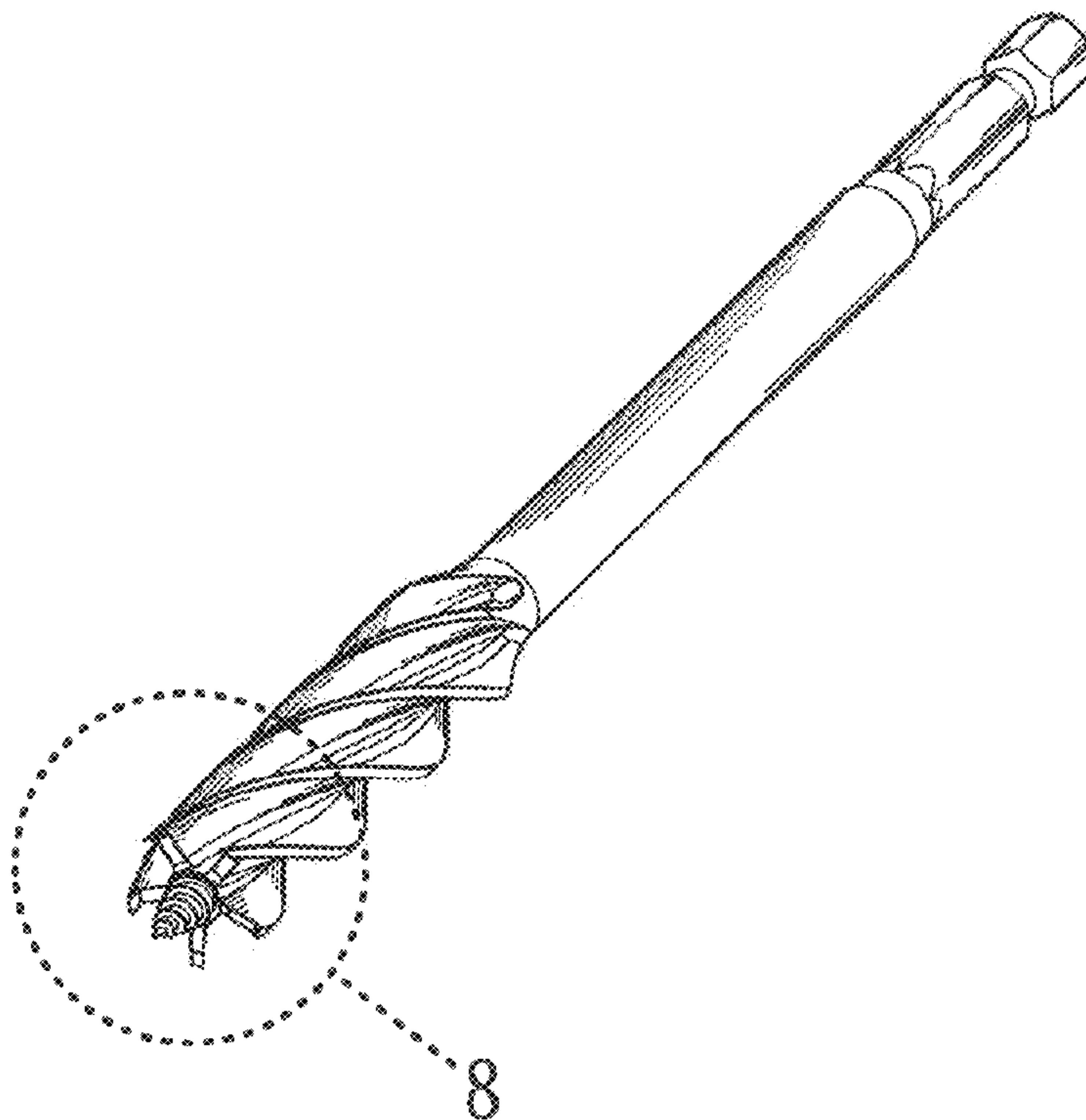
(57) **CLAIM**

The ornamental design for a woodworking drill bit, as shown and described.

DESCRIPTION

FIG. 1 is a perspective view, taken from the front, top, and left side of a woodworking drill bit showing my new design; FIG. 2 is a front elevational view thereof; FIG. 3 is a rear front elevational view thereof; FIG. 4 is a left side elevational view thereof; FIG. 5 is a right side elevational view thereof; FIG. 6 is a top plan view thereof; FIG. 7 is a bottom plan view thereof; and, FIG. 8 is a perspective enlarged detailed view of the wood-working drill bit as shown in circle 8 in FIG. 1.

1 Claim, 7 Drawing Sheets



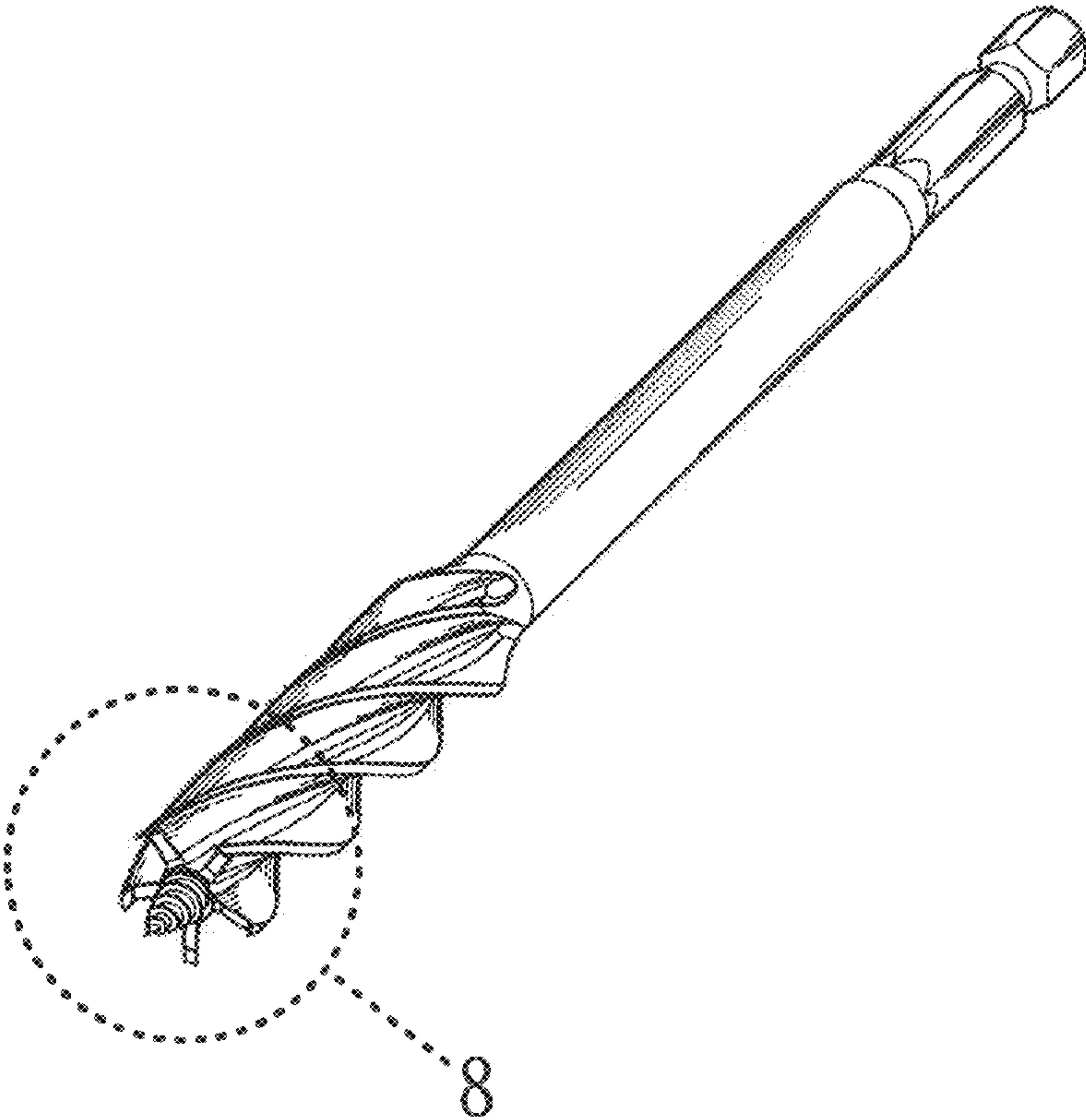


Fig. 1

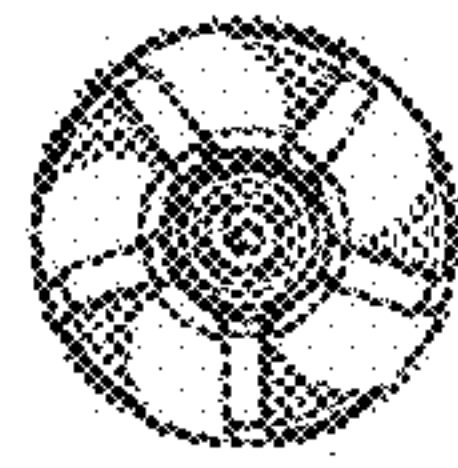


Fig. 2



Fig. 3

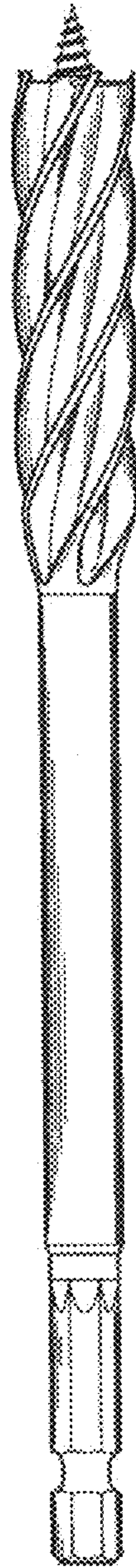


Fig. 4

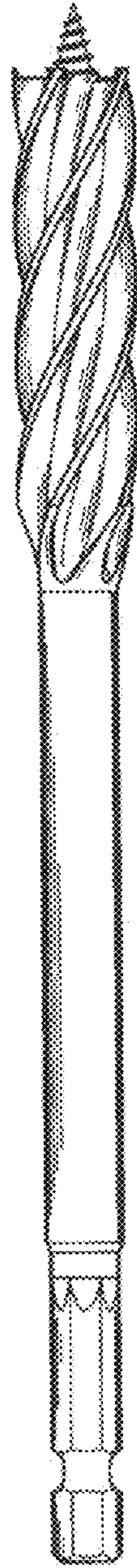


Fig. 5

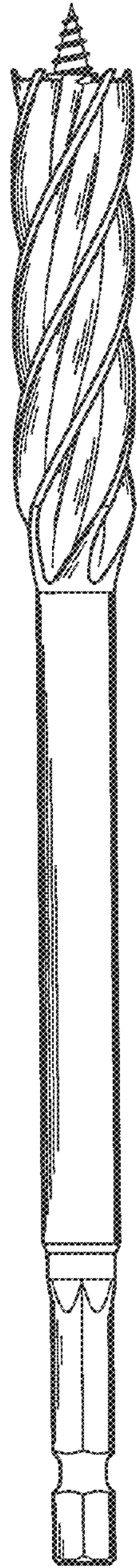


Fig. 6

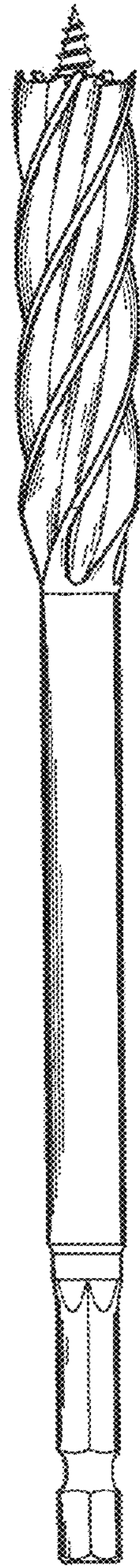


Fig. 7

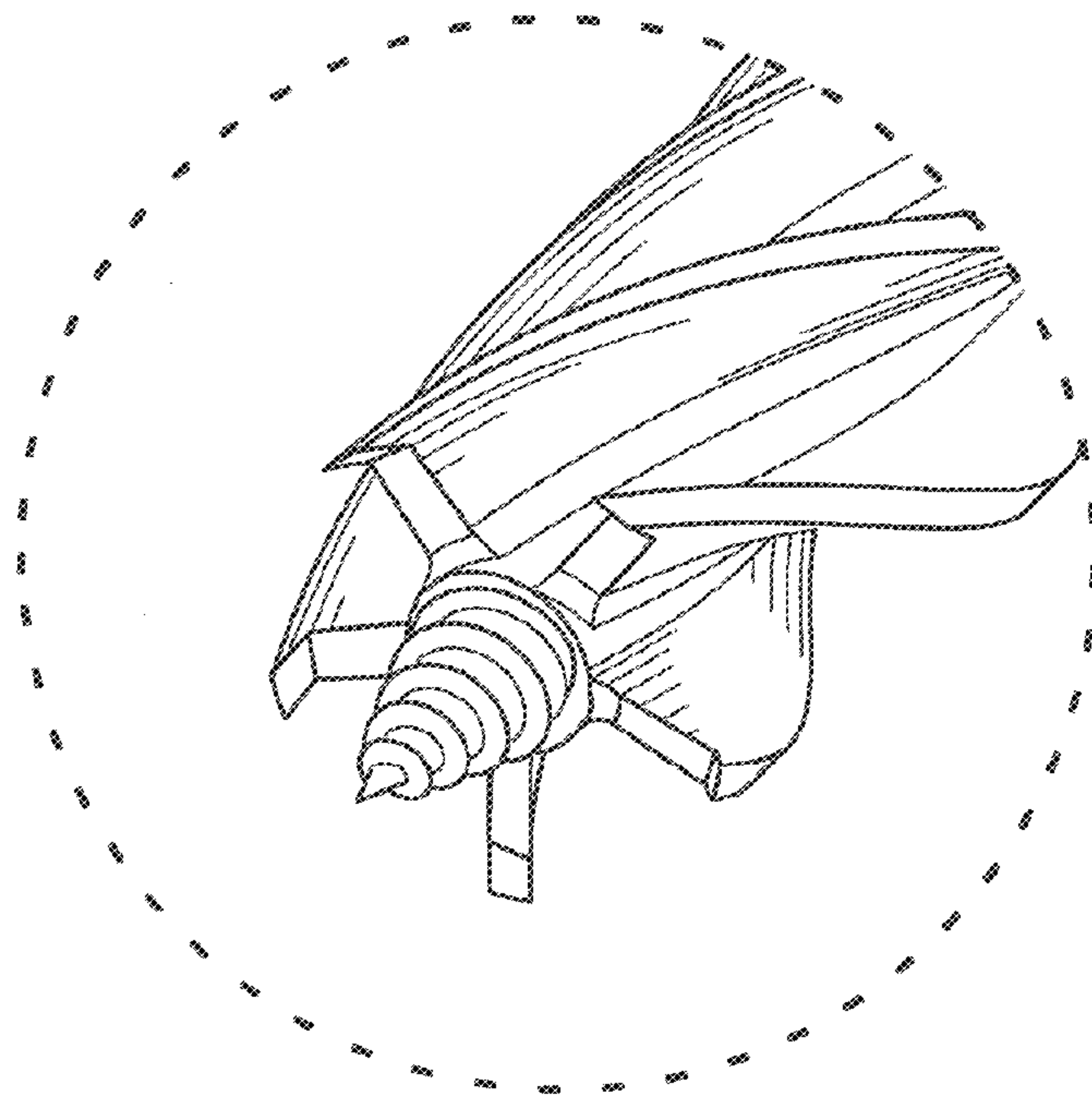


Fig. 8