



US00D709109S

(12) **United States Design Patent**
Mock

(10) **Patent No.:** **US D709,109 S**

(45) **Date of Patent:** **** Jul. 15, 2014**

(54) **GRINDING ATTACHMENT**

(71) Applicant: **KoMo GmbH**, Otzberg-Lengfeld (DE)

(72) Inventor: **Wolfgang Mock**, Oztberg-Lengfeld (DE)

(73) Assignee: **KoMo GmbH**, Otzberg-Lengfeld (DE)

(**) Term: **14 Years**

(21) Appl. No.: **29/482,508**

(22) Filed: **Feb. 19, 2014**

(51) **LOC (10) Cl.** **15-09**

(52) **U.S. Cl.**
USPC **D15/126**

(58) **Field of Classification Search**
USPC D8/62; D15/28, 124, 125, 126, 127,
D15/130, 131, 138

See application file for complete search history.

(56) **References Cited**

U.S. PATENT DOCUMENTS

D153,751 S *	5/1949	Apple	D15/125
D180,549 S *	7/1957	Ernest	D15/125
D292,407 S *	10/1987	Legler et al.	D15/133
D355,426 S *	2/1995	Chen	D15/125
D530,728 S *	10/2006	Liao	D15/124

D611,966 S *	3/2010	Pfaff	D15/127
D627,803 S *	11/2010	Jebb	D15/125
2005/0287934 A1 *	12/2005	Jansson	451/45
2008/0274678 A1 *	11/2008	Jansson	451/266

* cited by examiner

Primary Examiner — Patricia Palasik

(74) *Attorney, Agent, or Firm* — Gerald T. Bodner

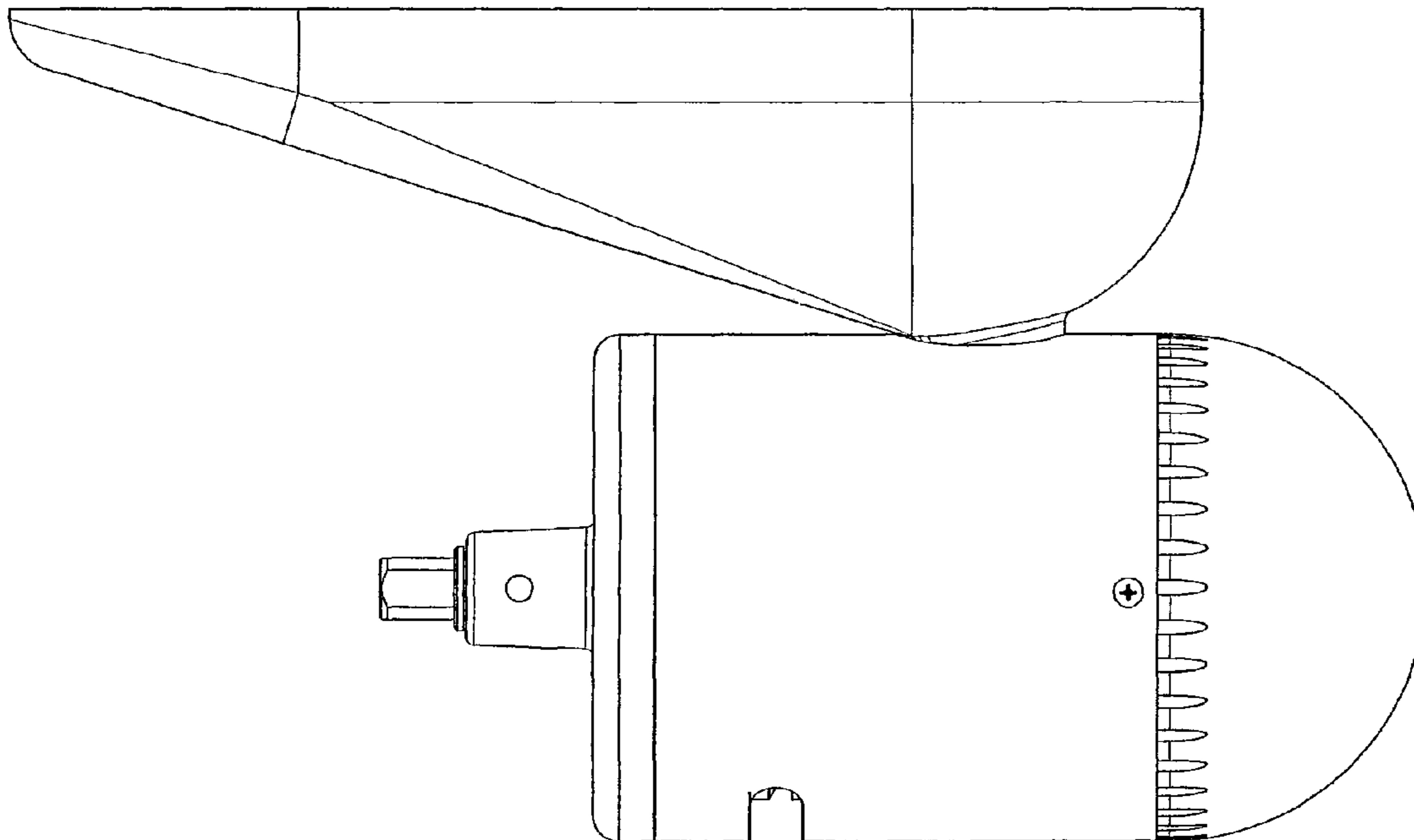
(57) **CLAIM**

The ornamental design for a grinding attachment, as shown and described.

DESCRIPTION

FIG. 1 is a front elevational view of a first embodiment of a grinding attachment showing my new design;
 FIG. 2 is a rear elevational view thereof;
 FIG. 3 is a top plan view thereof;
 FIG. 4 is a bottom plan view thereof;
 FIG. 5 is a left elevational view thereof;
 FIG. 6 is a right elevational view thereof;
 FIG. 7 is a front elevational view of a second embodiment of a grinding attachment showing my new design;
 FIG. 8 is a rear elevational view thereof;
 FIG. 9 is a top plan view thereof;
 FIG. 10 is a bottom plan view thereof;
 FIG. 11 is a left elevational view thereof; and,
 FIG. 12 is a right elevational view thereof.

1 Claim, 12 Drawing Sheets



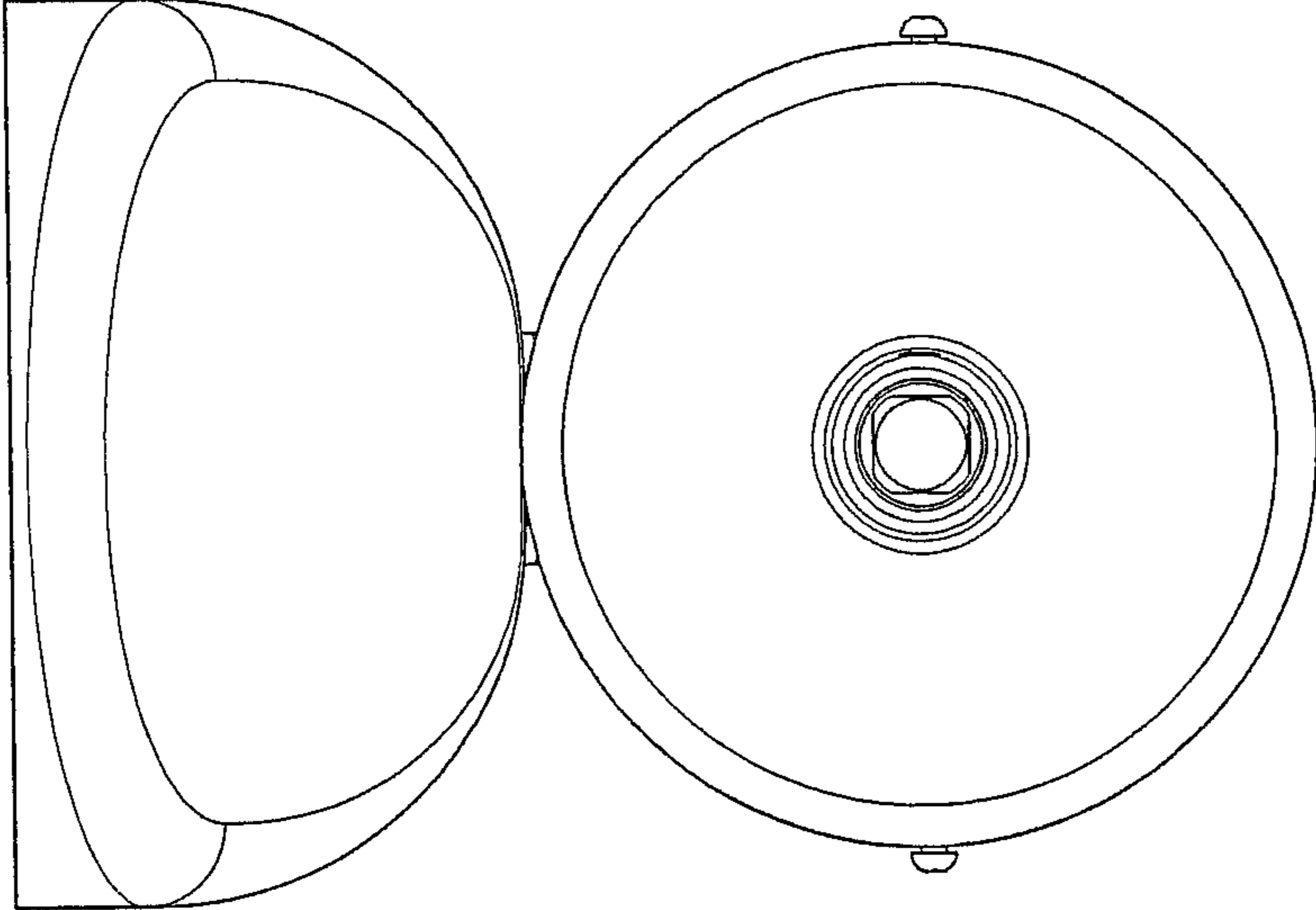


FIG. 1

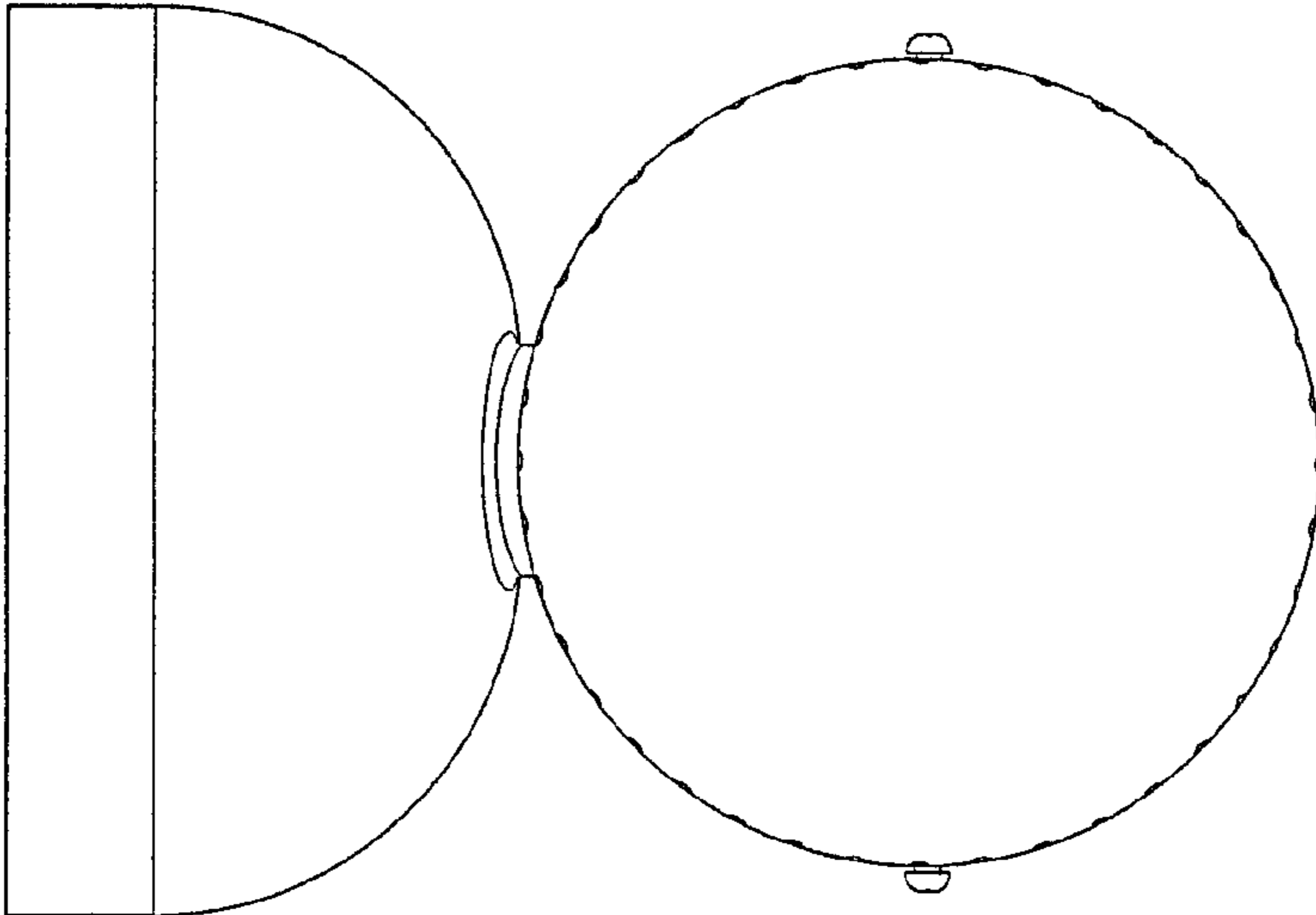


FIG. 2

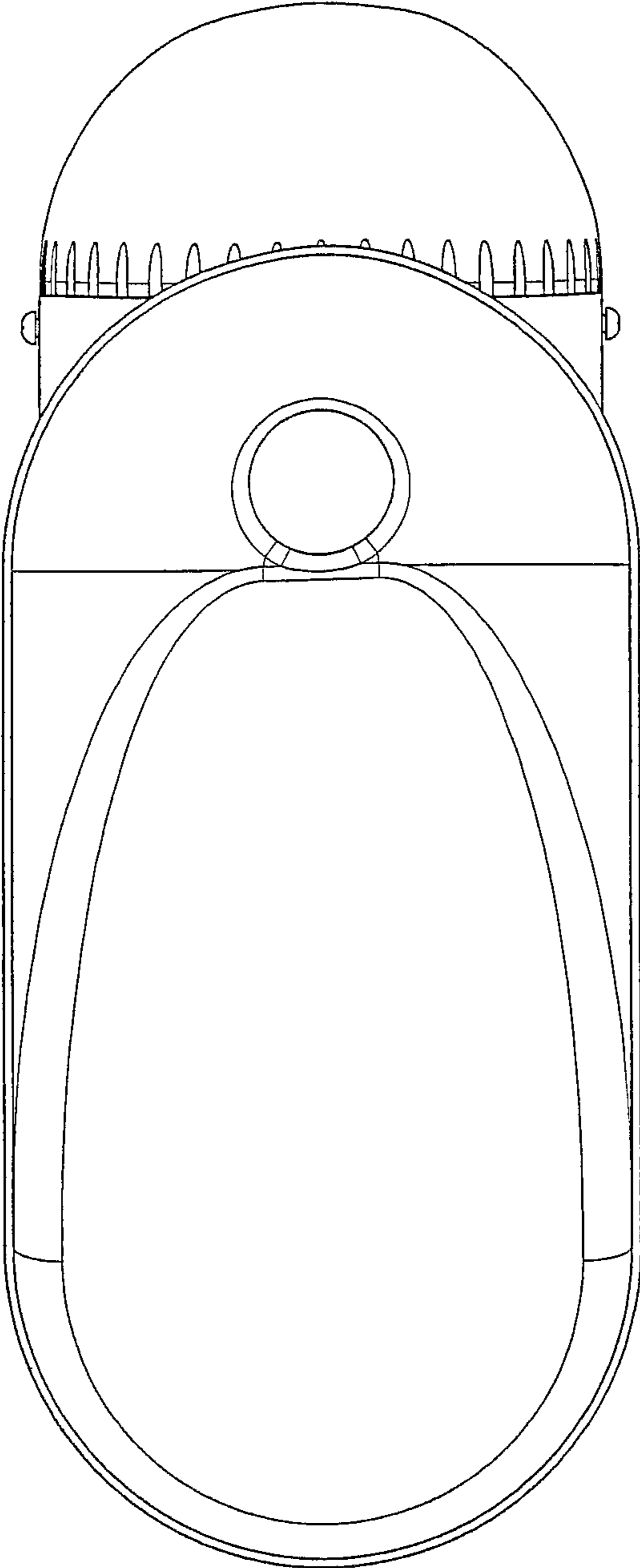


FIG. 3

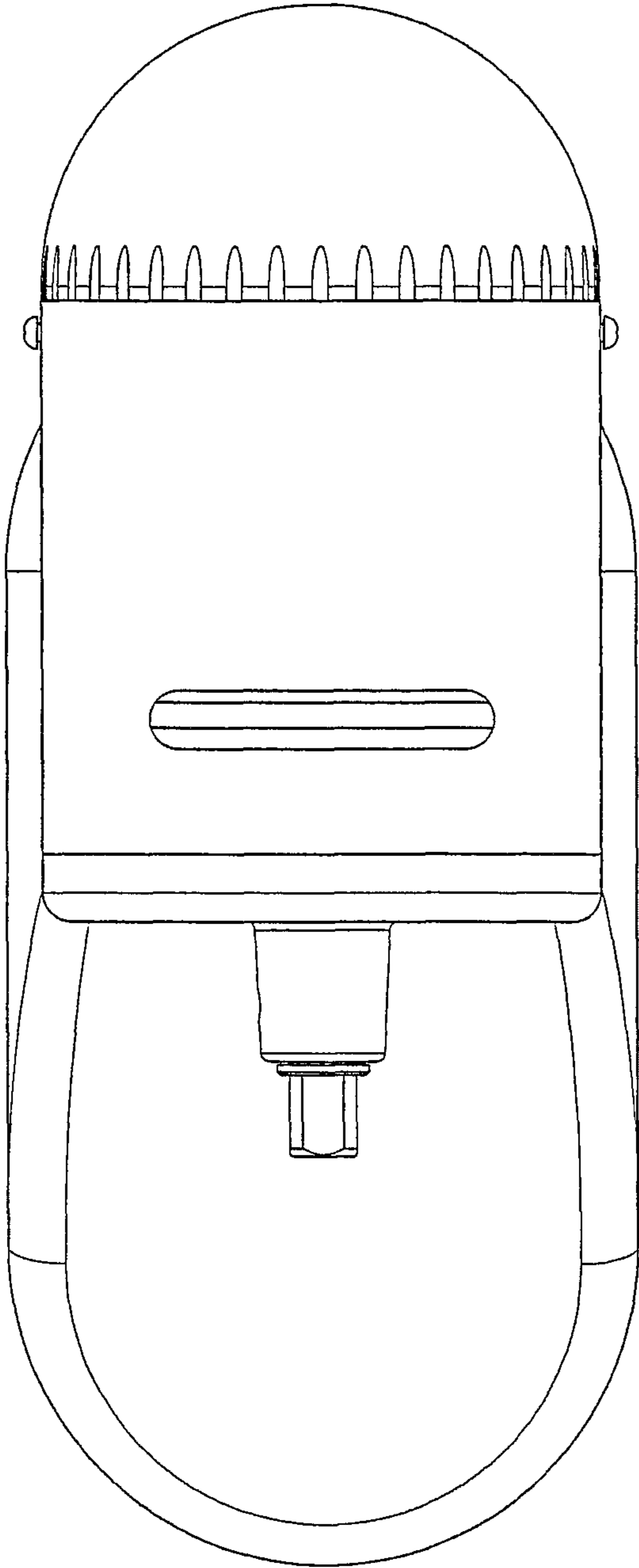


FIG. 4

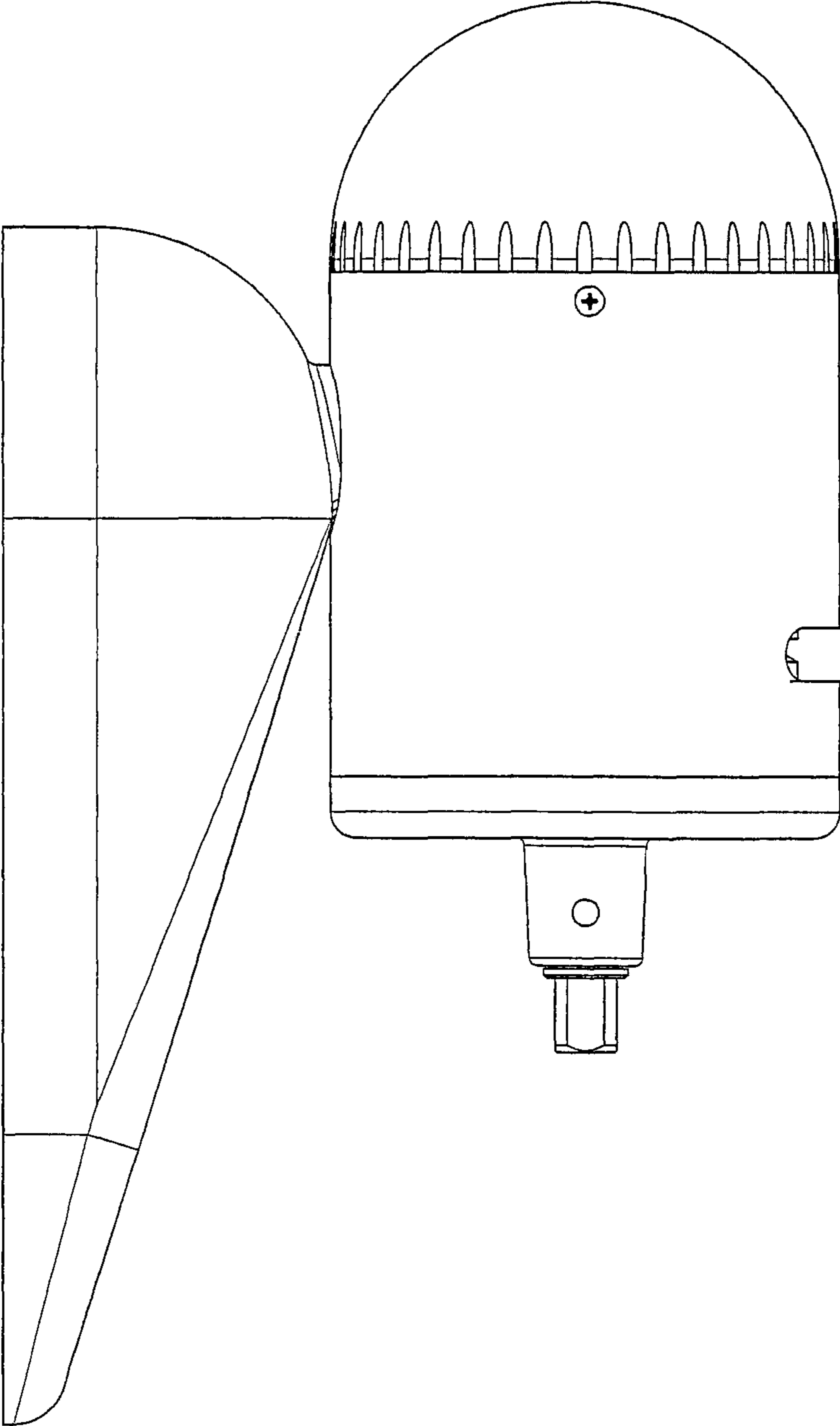


FIG. 5

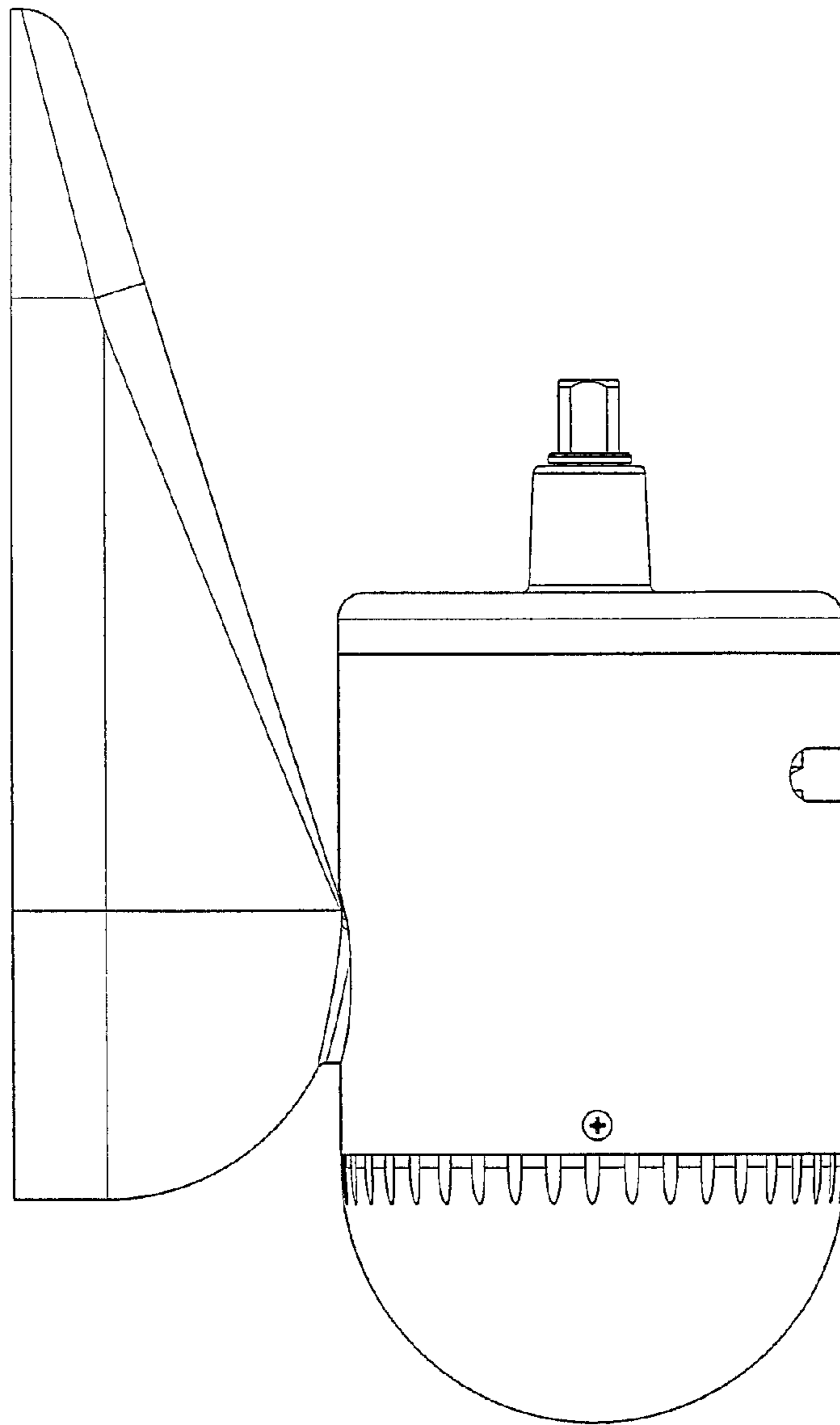


FIG. 6

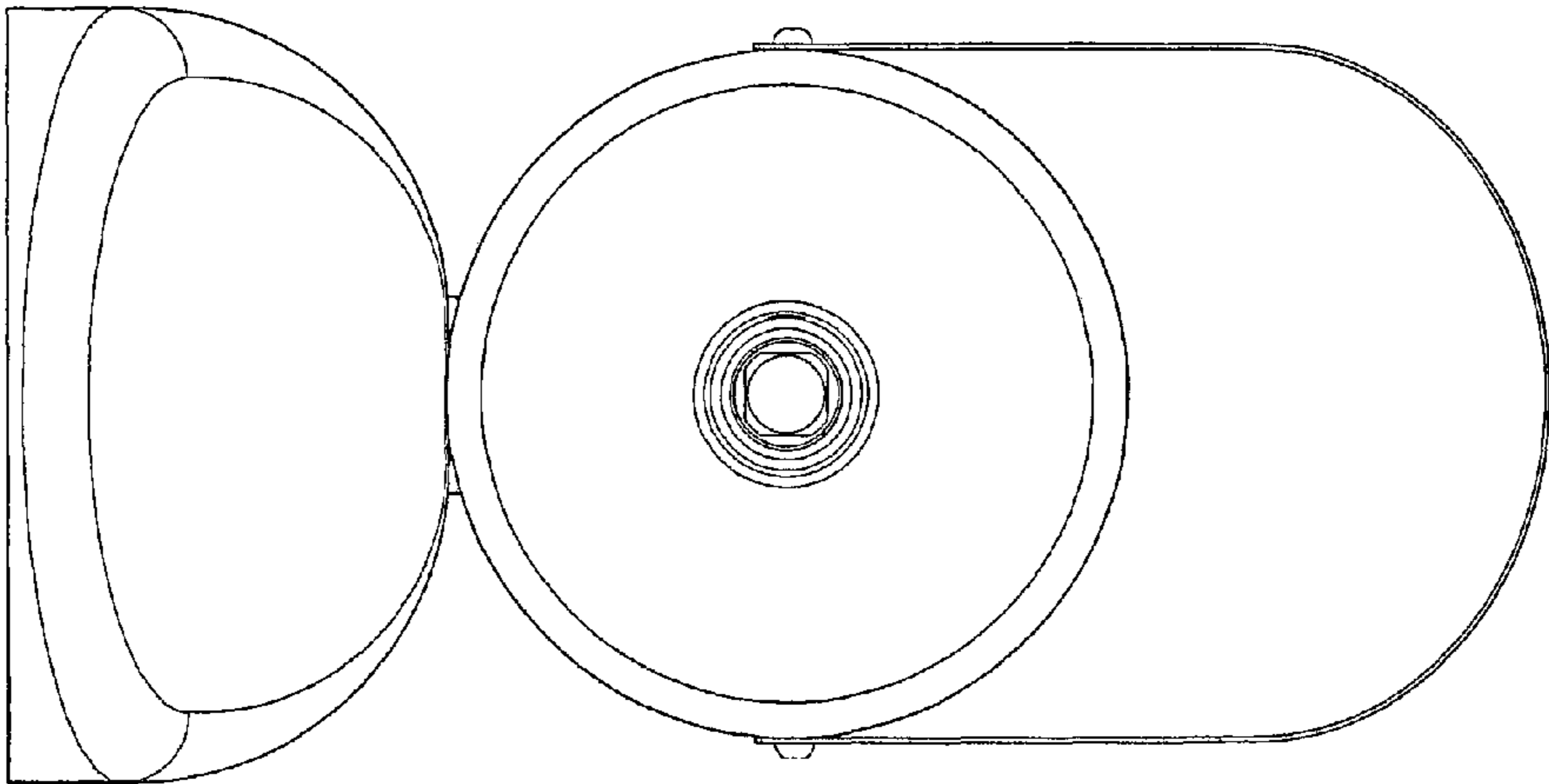


FIG. 7

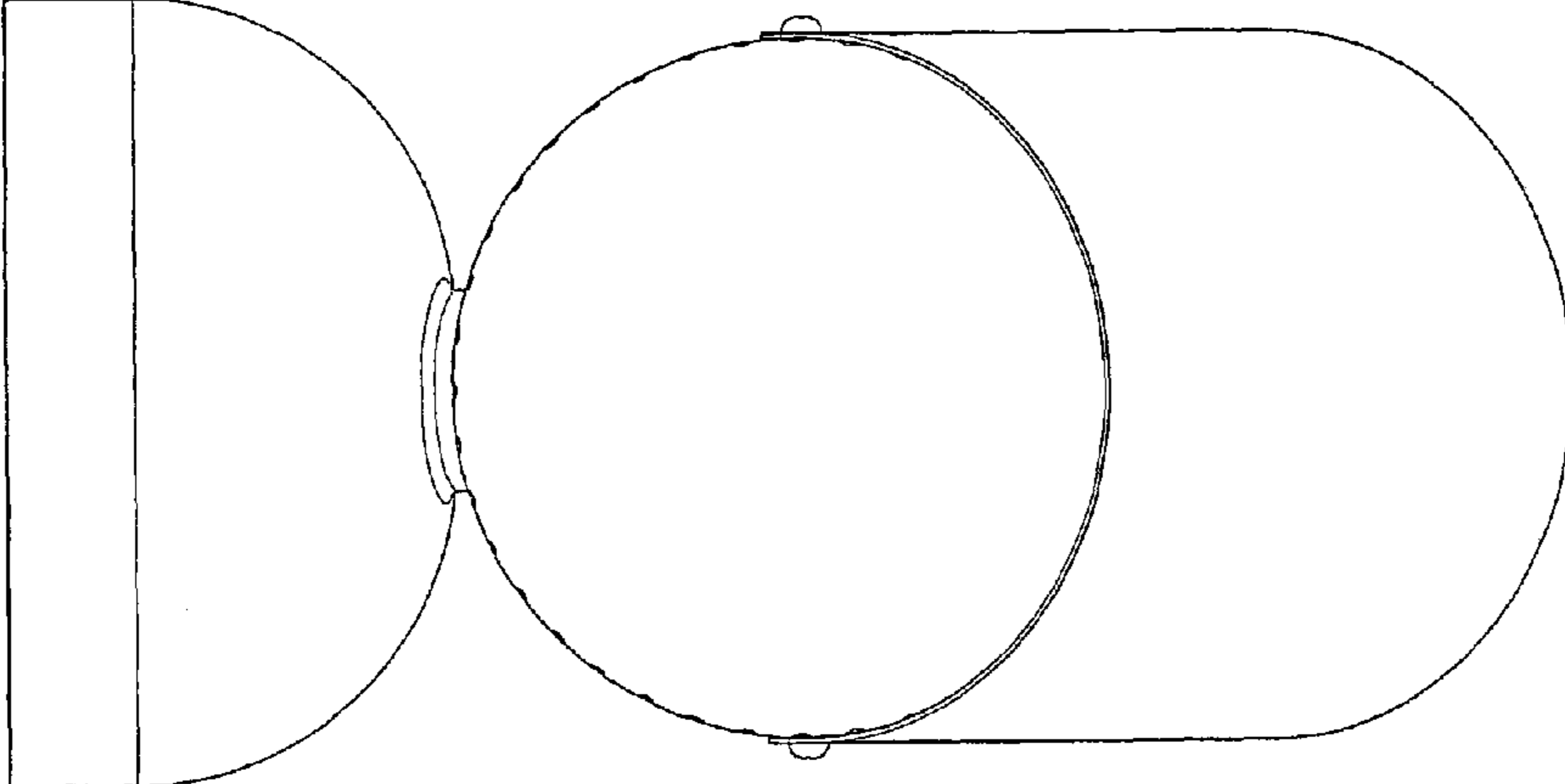


FIG. 8

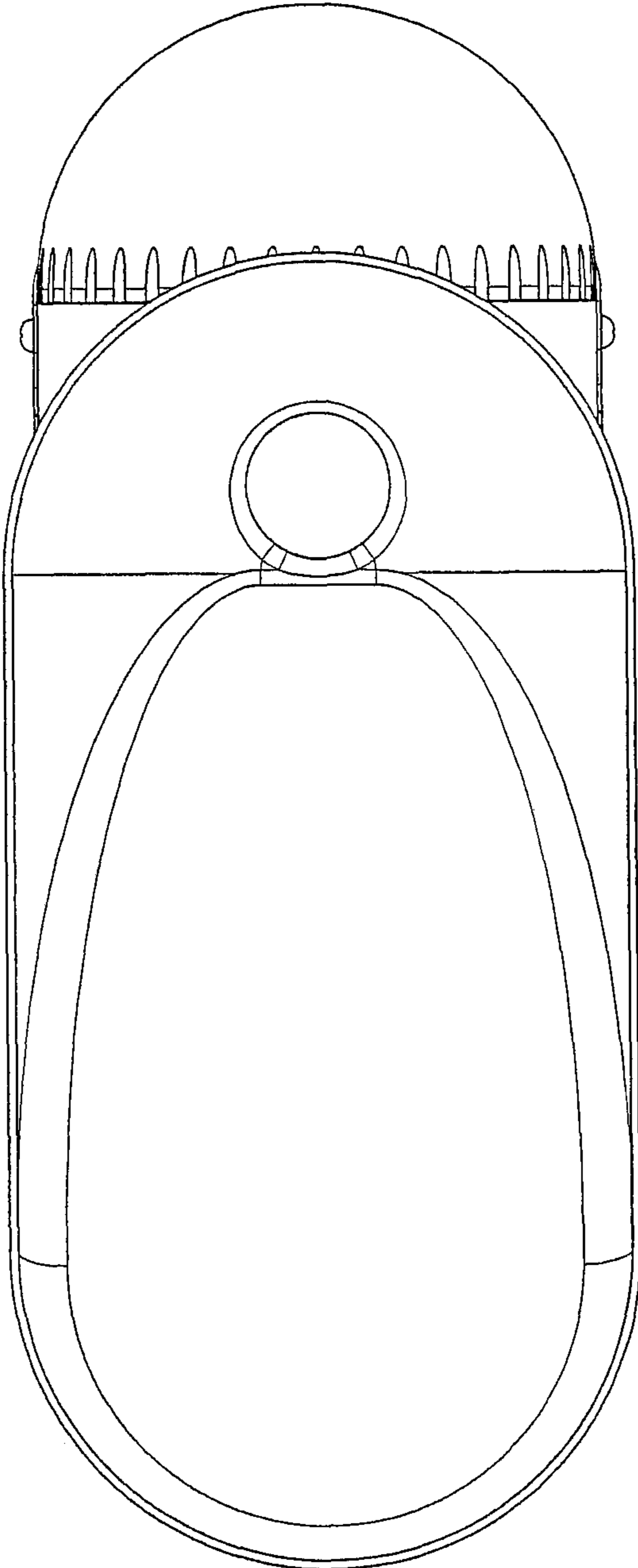


FIG. 9

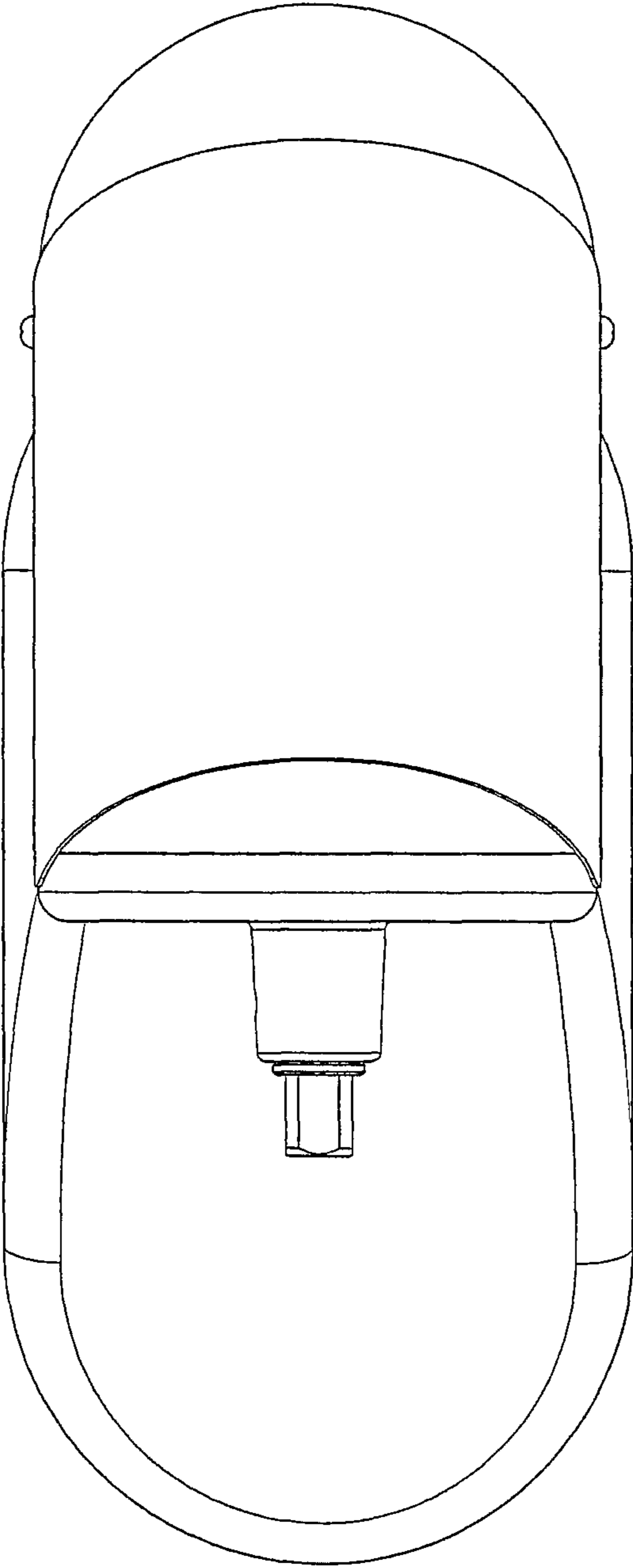


FIG. 10

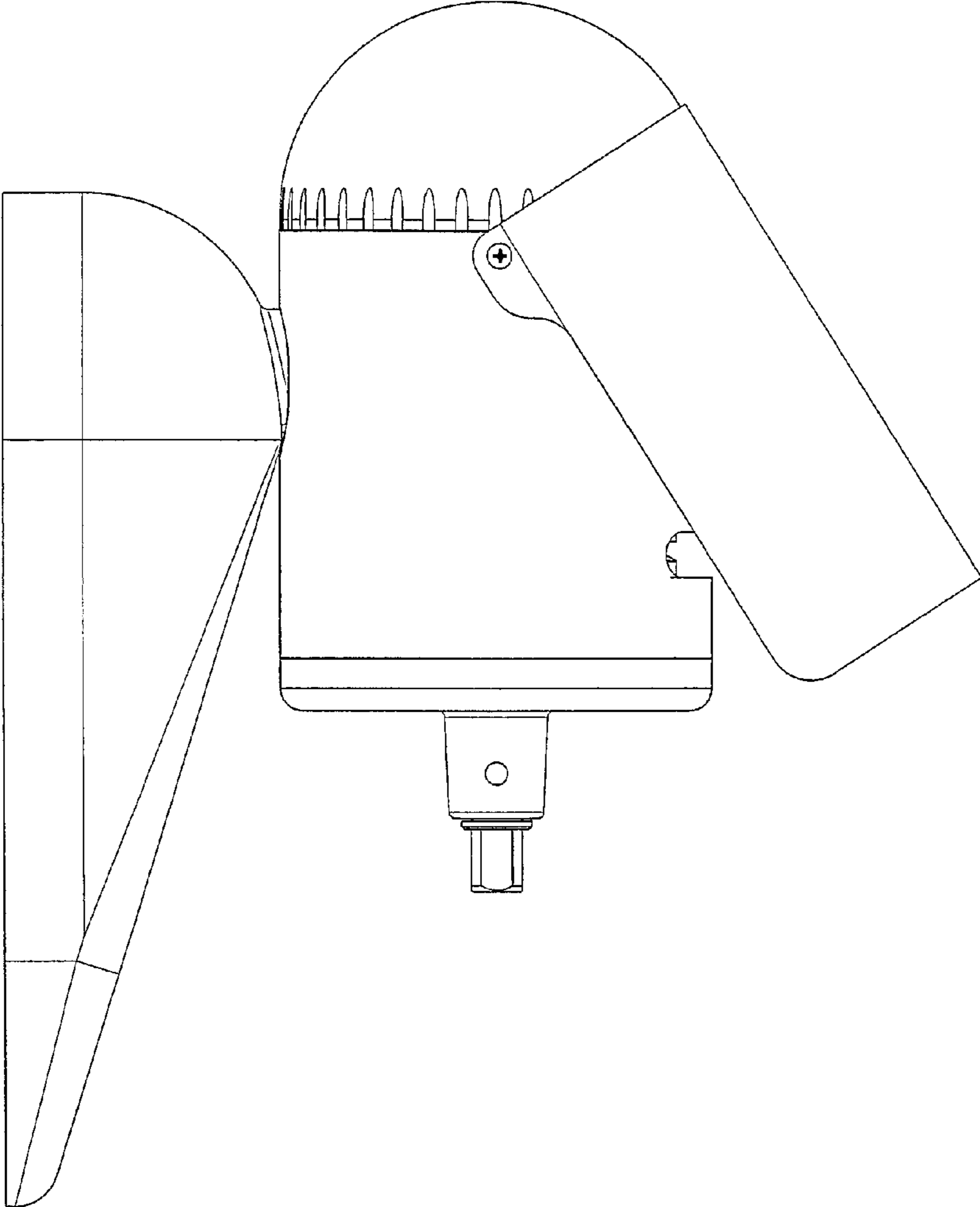


FIG. 11

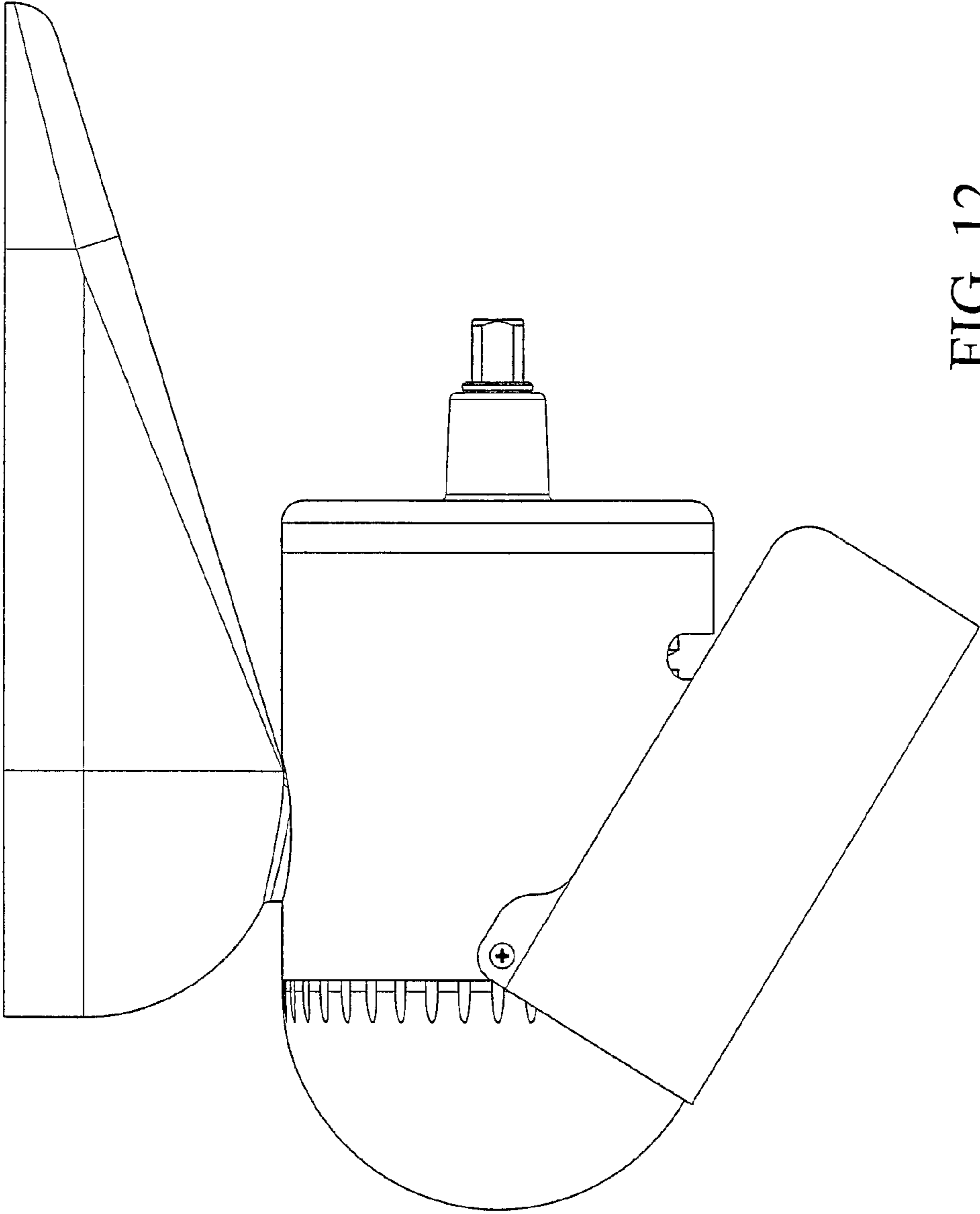


FIG. 12