



US00D709108S

(12) **United States Design Patent**
Lee et al.

(10) **Patent No.:** **US D709,108 S**
(45) **Date of Patent:** **** Jul. 15, 2014**

(54) **SHELF SUPPORT FOR REFRIGERATOR**

(56) **References Cited**

(71) Applicant: **Samsung Electronics Co., Ltd.**,
Suwon-si (KR)

U.S. PATENT DOCUMENTS

(72) Inventors: **Jong-Hyub Lee**, Seoul (KR);
Min-Hyoug Boo, Seoul (KR);
Hyun-Soo Kim, Seongnam-si (KR);
Young-Min Park, Seoul (KR);
Kyung-Tae Kim, Suwon-si (KR)

3,984,163	A *	10/1976	Boorman et al.	312/408
4,923,260	A *	5/1990	Poulsen	312/408
5,454,638	A *	10/1995	Bird et al.	312/408
6,582,038	B2 *	6/2003	Moreno-Olguin et al.	312/405.1
7,748,805	B2 *	7/2010	Lucas et al.	312/405.1
8,356,865	B2 *	1/2013	Laible	312/404
2004/0080247	A1 *	4/2004	Dobler et al.	312/348.1

* cited by examiner

(73) Assignee: **Samsung Electronics Co., Ltd.** (KR)

Primary Examiner — Mitchell Siegel

(**) Term: **14 Years**

(74) *Attorney, Agent, or Firm* — Cantor Colburn LLP

(21) Appl. No.: **29/459,207**

(57) **CLAIM**

The ornamental design for a shelf support for refrigerator, as shown and described.

(22) Filed: **Jun. 27, 2013**

DESCRIPTION

(30) **Foreign Application Priority Data**

Jan. 2, 2013 (KR) 30-2013-0000140

(51) **LOC (10) Cl.** **15-07**

(52) **U.S. Cl.**
USPC **D15/89**

(58) **Field of Classification Search**
USPC D15/79-89; 312/404-408, 313-316;
108/155; 211/134; D6/511, 574

FIG. 1 is a perspective view of a shelf support for refrigerator showing our new design;
FIG. 2 is a front view thereof;
FIG. 3 is a rear view thereof;
FIG. 4 is a left side view thereof;
FIG. 5 is a right side view thereof;
FIG. 6 is a top plan view thereof;
FIG. 7 is a bottom plan view thereof; and,
FIG. 8 is another perspective view thereof when in use.

The broken lines are shown for disclosure, illustrative purposes or environmental structures and form no part of the claimed design.

See application file for complete search history.

1 Claim, 6 Drawing Sheets

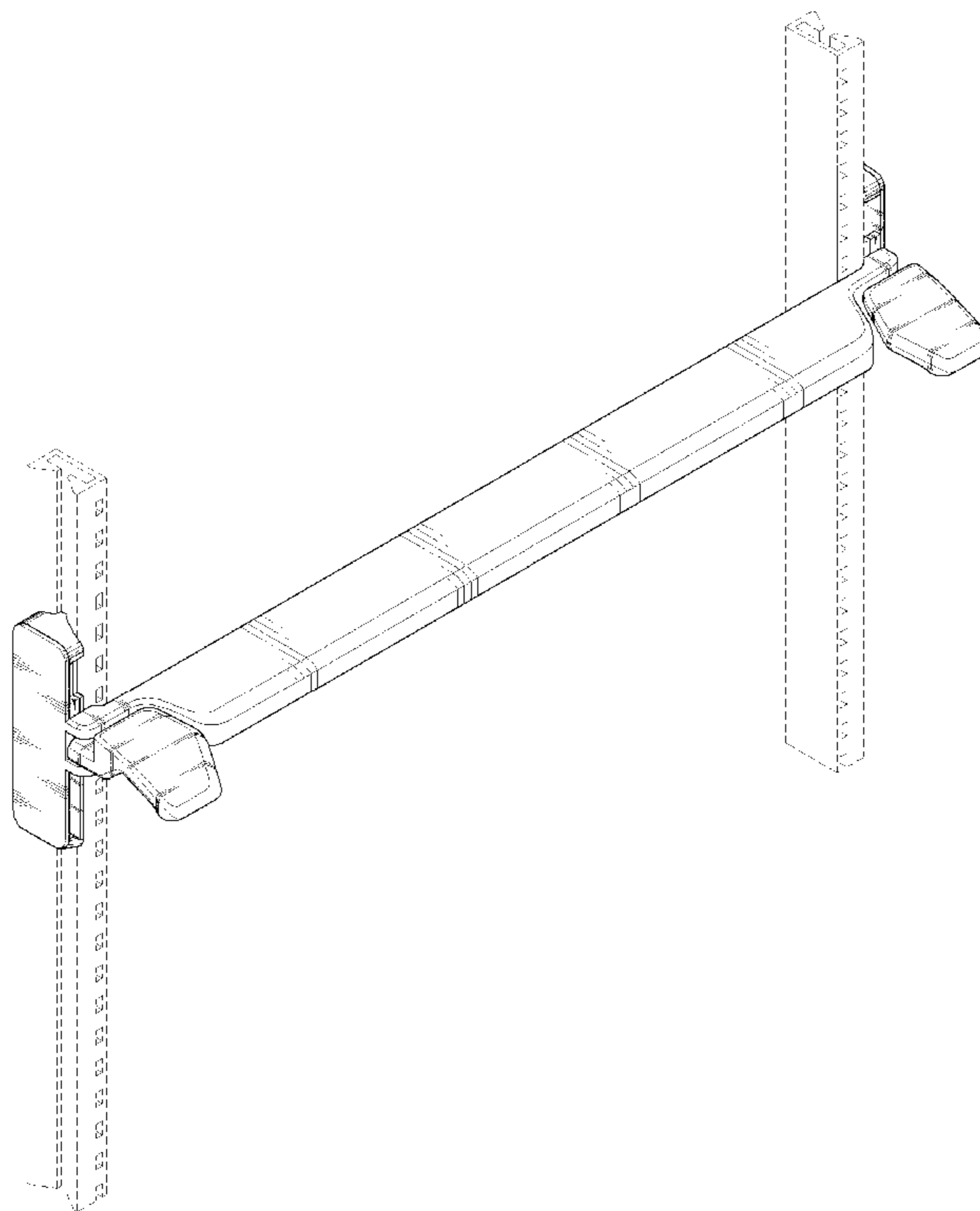


FIG. 1

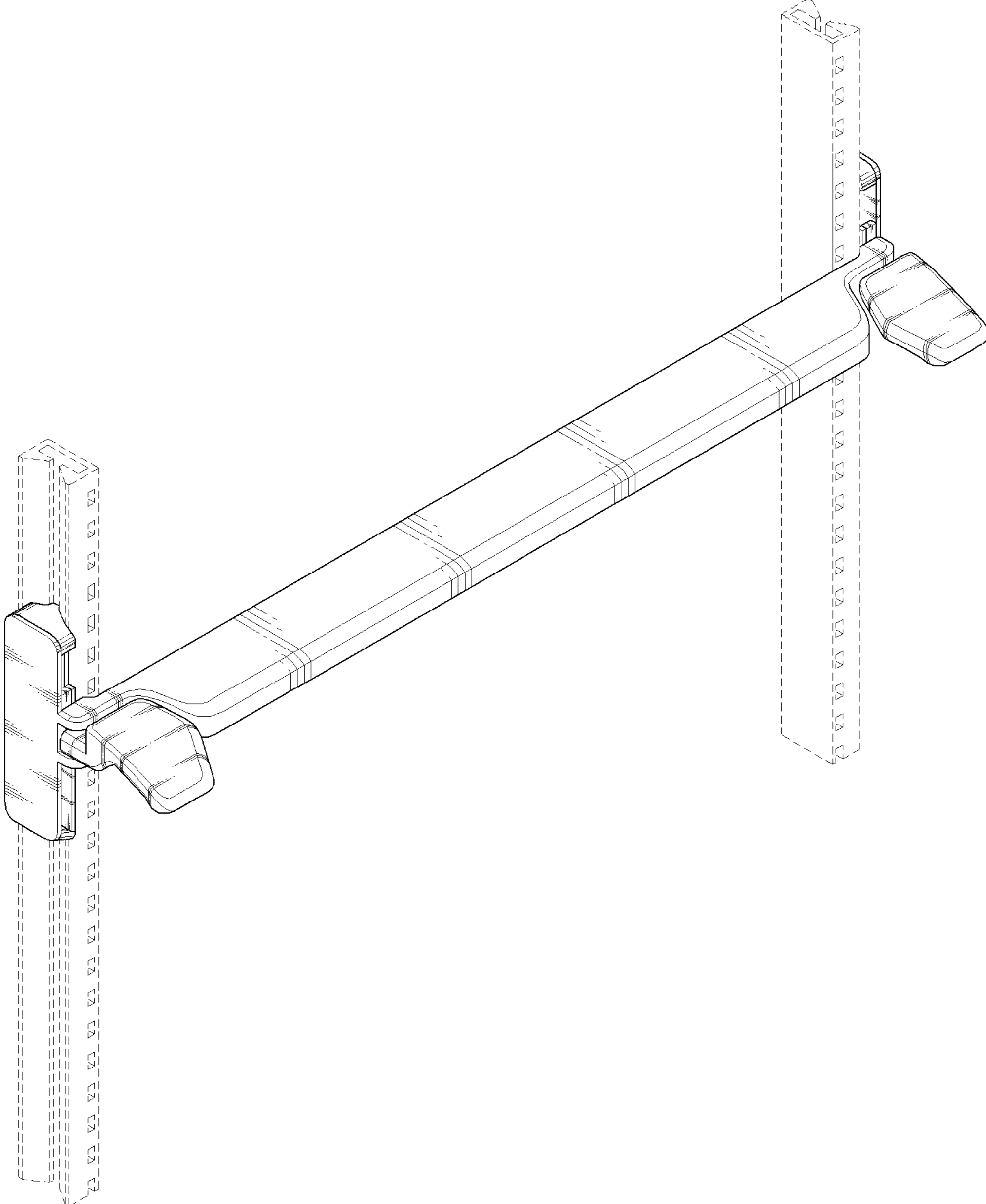


FIG. 2

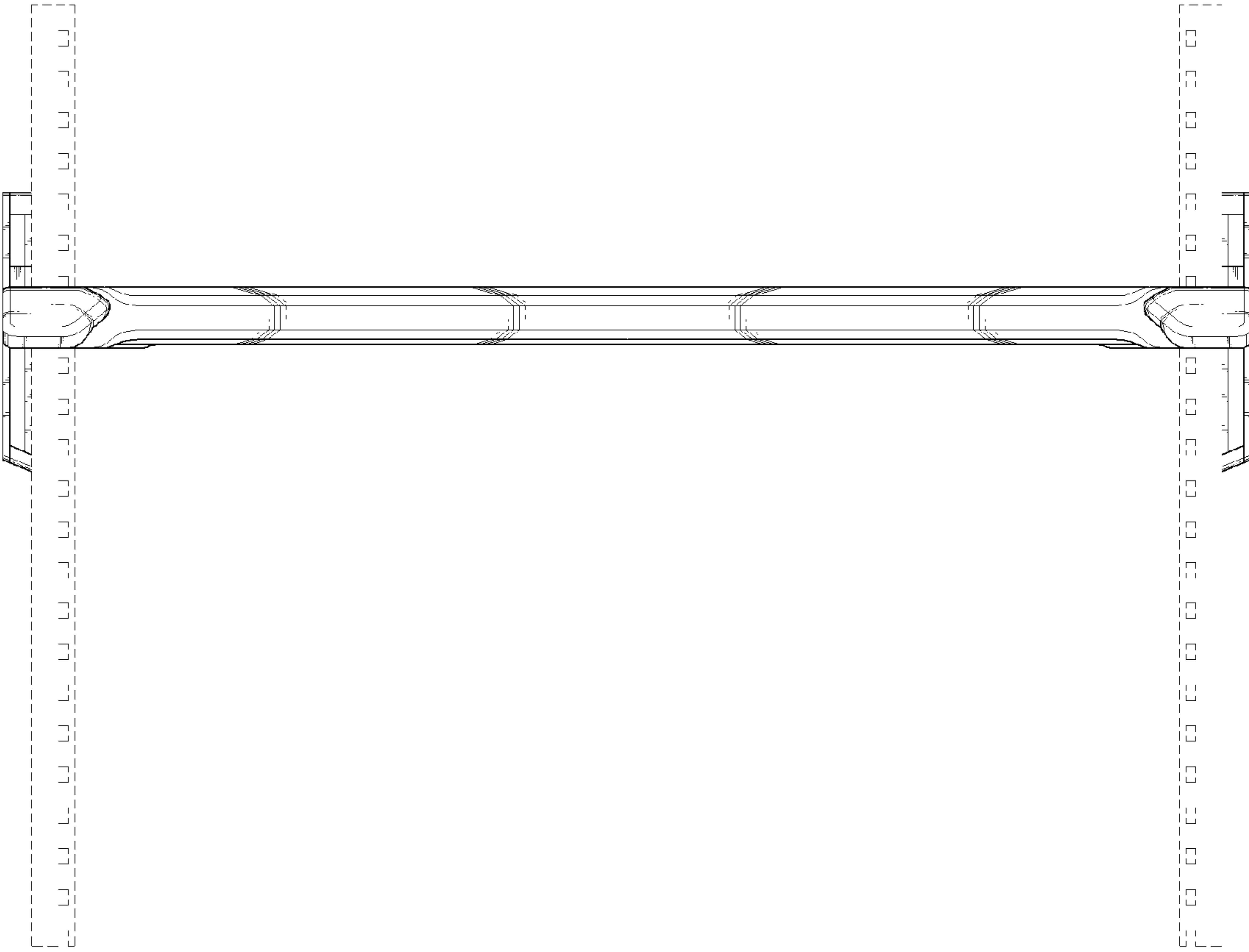


FIG. 3

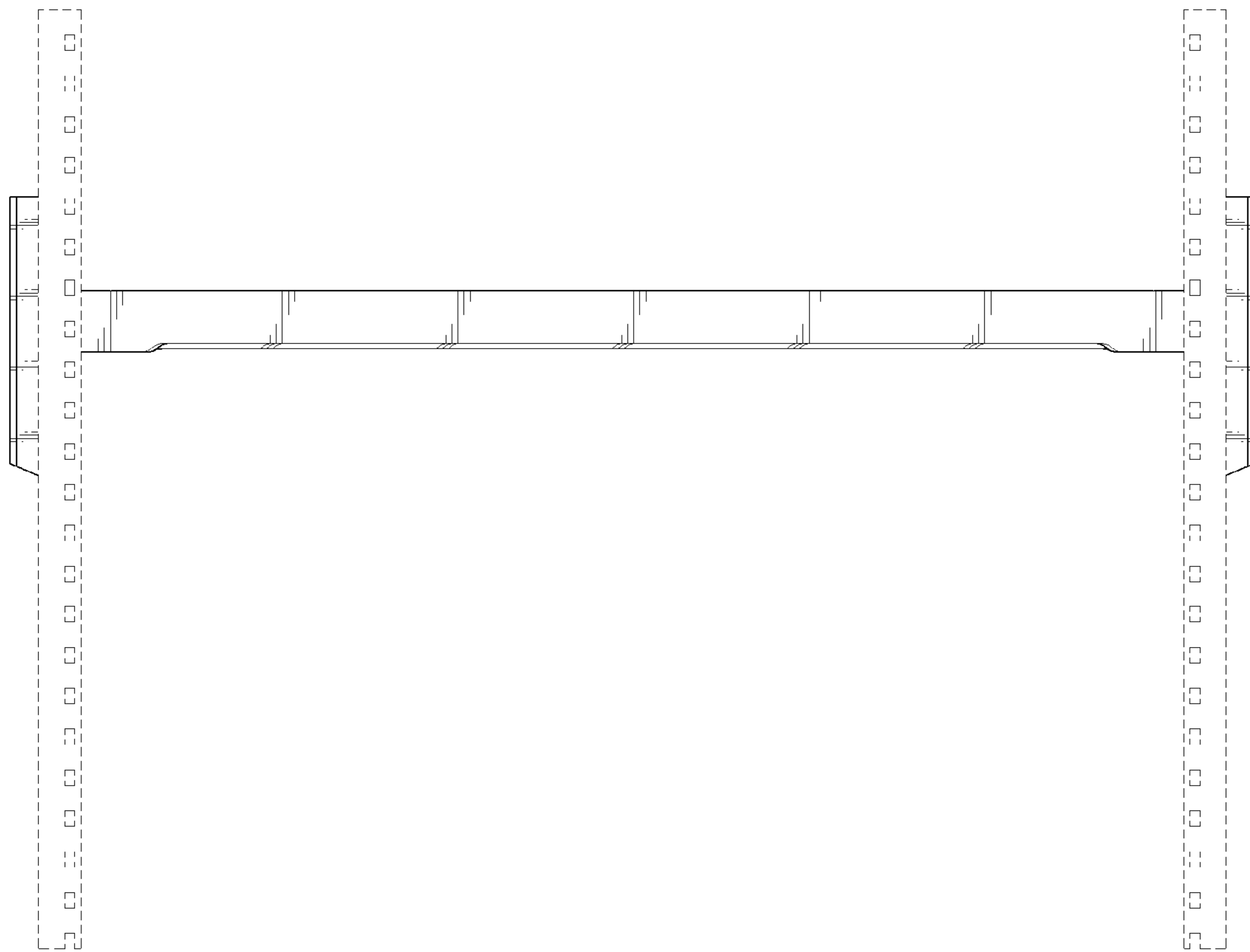


FIG. 4

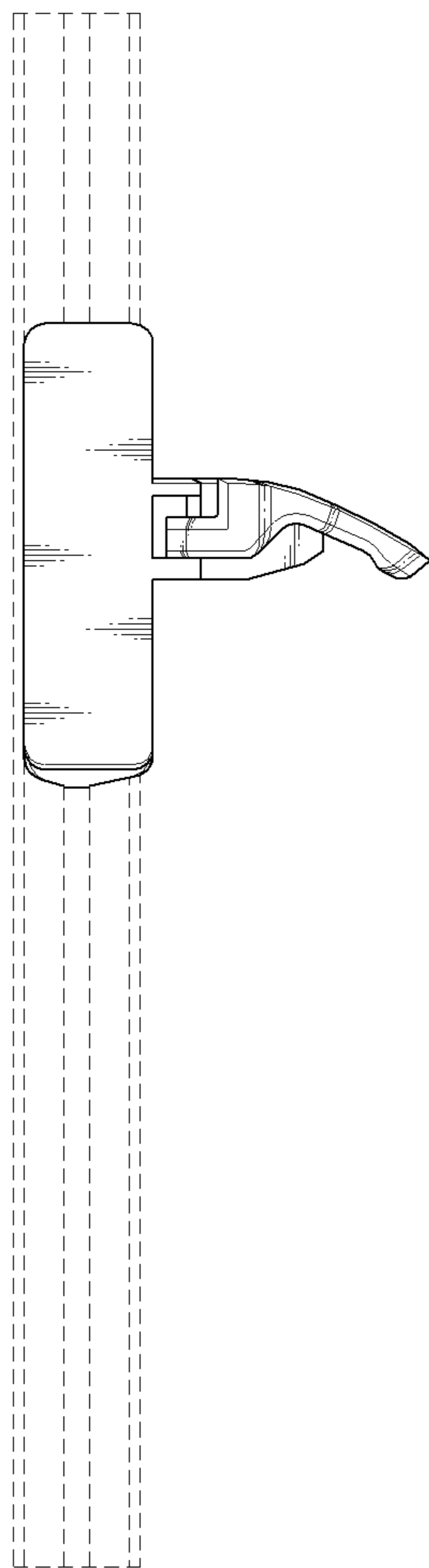


FIG. 5

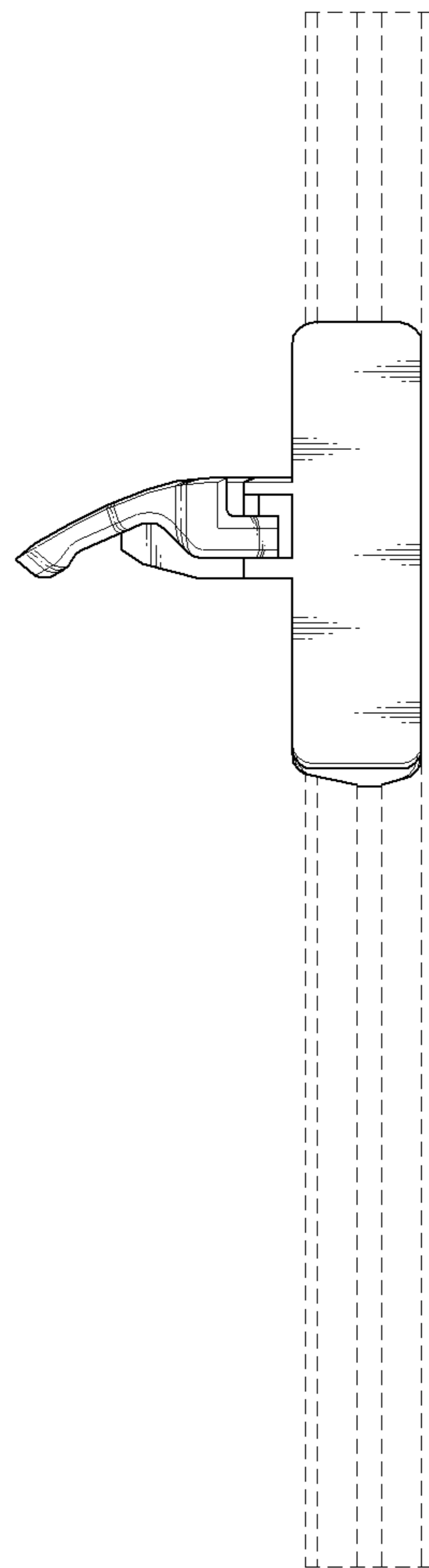


FIG. 6

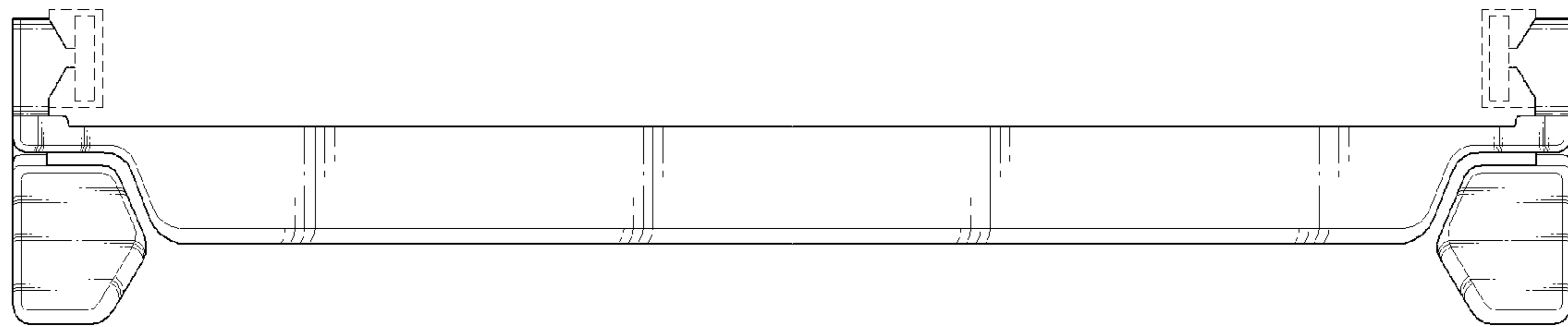


FIG. 7

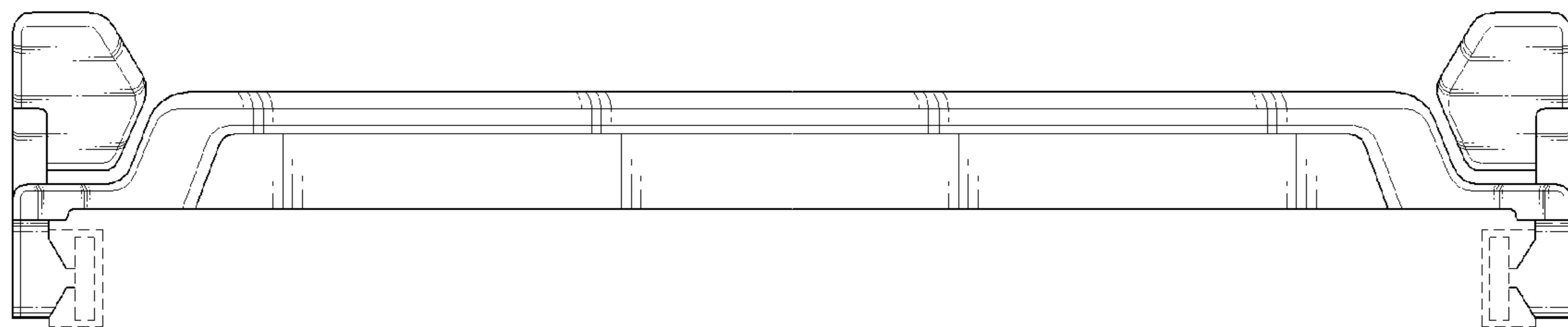


FIG. 8

