



US00D709106S

(12) **United States Design Patent**
Jeon et al.

(10) **Patent No.:** **US D709,106 S**
(45) **Date of Patent:** **** Jul. 15, 2014**

(54) **DISPENSER FOR REFRIGERATOR**

(71) Applicant: **Samsung Electronics Co., Ltd.**,
Suwon-si (KR)

(72) Inventors: **Sang-Woon Jeon**, Namyangju-si (KR);
Min-Hyong Boo, Seoul (KR);
Jae-Moon Lee, Seoul (KR)

(73) Assignee: **Samsung Electronics Co., Ltd.** (KR)

(**) Term: **14 Years**

(21) Appl. No.: **29/458,688**

(22) Filed: **Jun. 21, 2013**

(30) **Foreign Application Priority Data**

Dec. 28, 2012 (KR) 30-2012-0063028

(51) **LOC (10) Cl.** **15-07**

(52) **U.S. Cl.**
USPC **D15/89**

(58) **Field of Classification Search**
USPC D15/79-89, 91; 312/236, 352,
312/400-408, 116; 62/3.1-3.64, 98, 236,
62/275, 293, 331, 344, 352, 371, 440, 467,
62/529, 531; 222/146.2, 145.6, 108;
141/351

See application file for complete search history.

(56) **References Cited**

U.S. PATENT DOCUMENTS

D365,579 S * 12/1995 Baker et al. D15/89
5,474,213 A * 12/1995 Unger 222/108
D367,659 S * 3/1996 Baker et al. D15/89
5,526,854 A * 6/1996 Unger 141/351

D379,095 S * 5/1997 Sparks D15/85
6,651,449 B2 * 11/2003 Heims et al. 62/98
D511,534 S * 11/2005 Ertz et al. D15/89
D514,139 S * 1/2006 Ertz et al. D15/89
D544,287 S * 6/2007 Joss et al. D7/306
D568,913 S * 5/2008 Suh et al. D15/89
D569,399 S * 5/2008 Crookshanks et al. D15/89
D582,443 S * 12/2008 Kim et al. D15/89
D615,566 S * 5/2010 Curtis et al. D15/89
D672,376 S * 12/2012 Ringemann et al. D15/89
D697,537 S * 1/2014 Seo et al. D15/89

* cited by examiner

Primary Examiner — Mitchell Siegel

(74) *Attorney, Agent, or Firm* — Cantor Colburn LLP

(57) **CLAIM**

The ornamental design for a dispenser for refrigerator, as shown and described.

DESCRIPTION

FIG. 1 is a perspective view of a dispenser for a dispenser for refrigerator showing our new design; FIG. 2 is a front view thereof; FIG. 3 is a rear view thereof; FIG. 4 is a left side view thereof; FIG. 5 is a right side view thereof; FIG. 6 is a top plan view thereof; FIG. 7 is a bottom plan view thereof; FIG. 8 is a bottom perspective view show in use; FIG. 9 is a reduced perspective view of FIG. 1, shown in use; and, FIG. 10 is a cross-sectional view taken along line 10-10 in FIG. 2.

The broken lines are for showing an environmental structure and form no part of the claimed design.

1 Claim, 10 Drawing Sheets

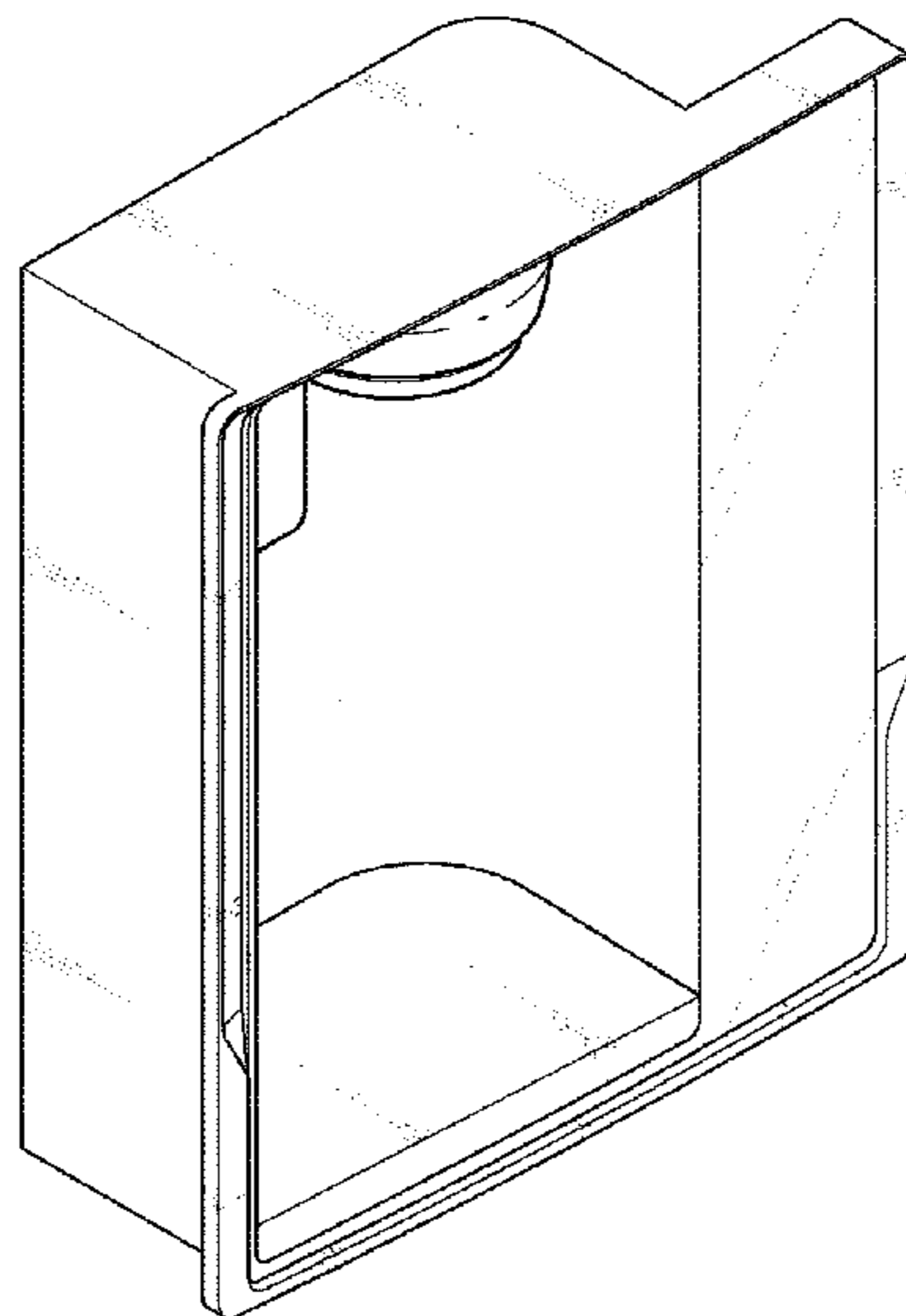


FIG. 1

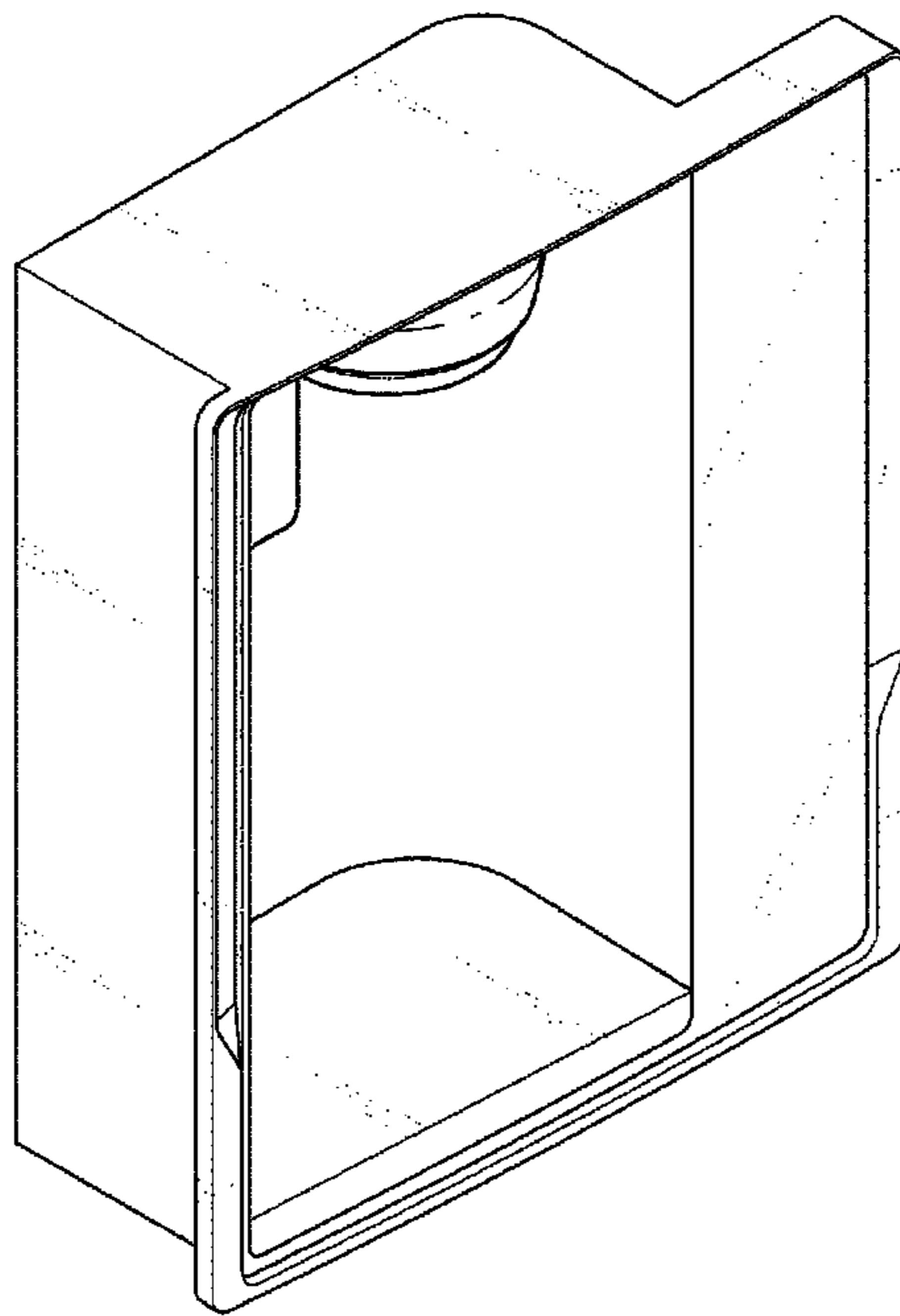


FIG. 2

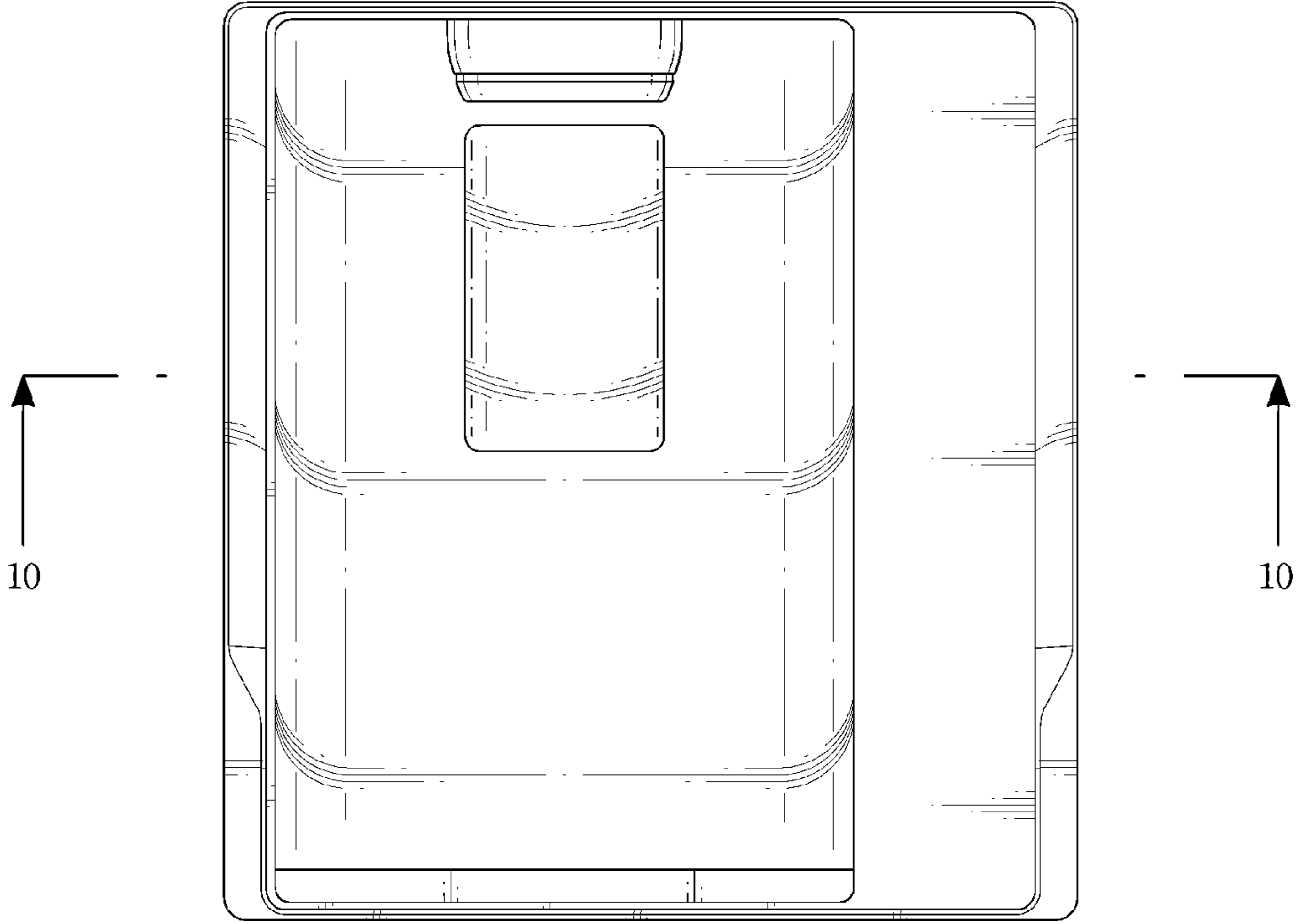


FIG. 3

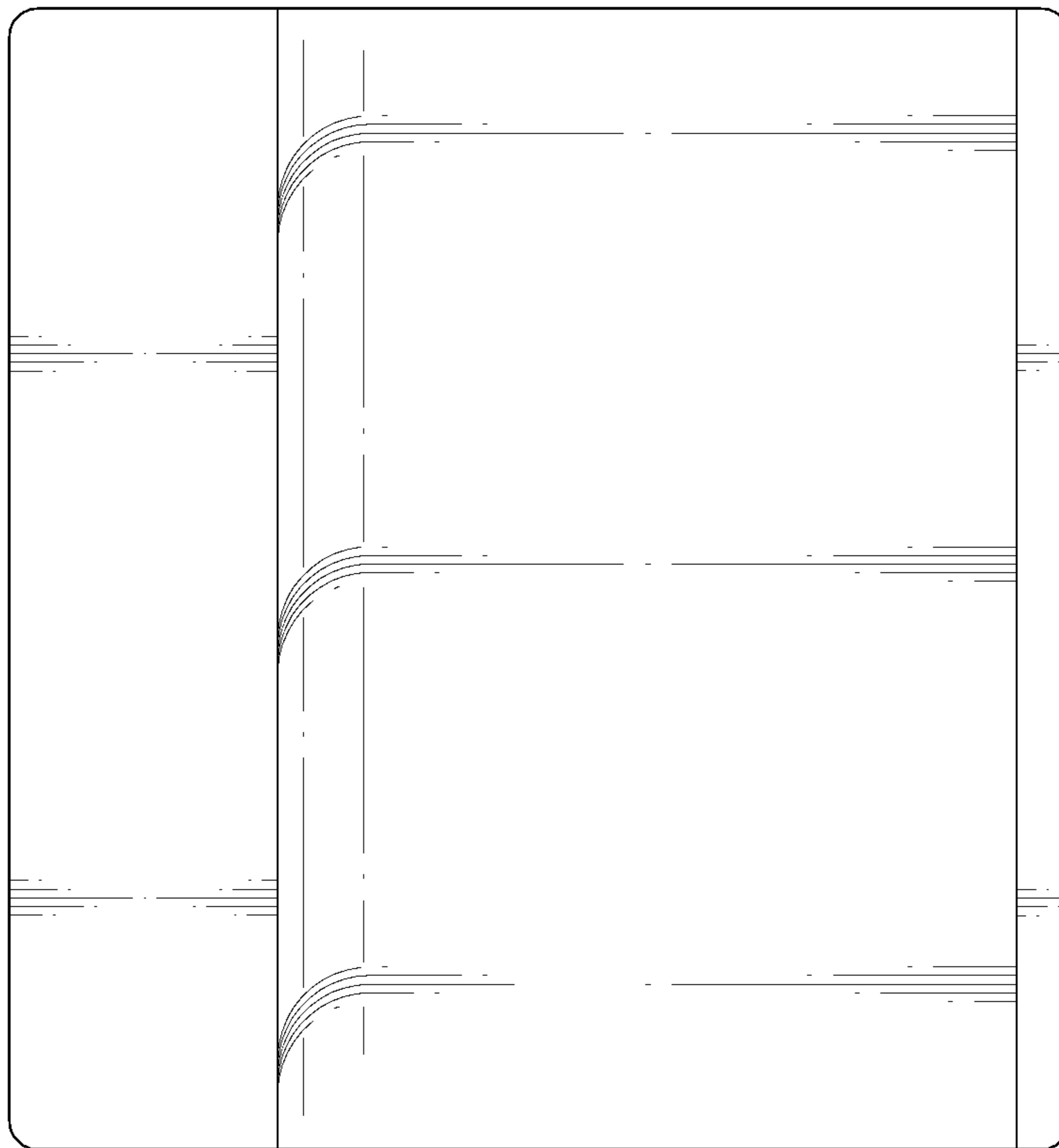


FIG. 4

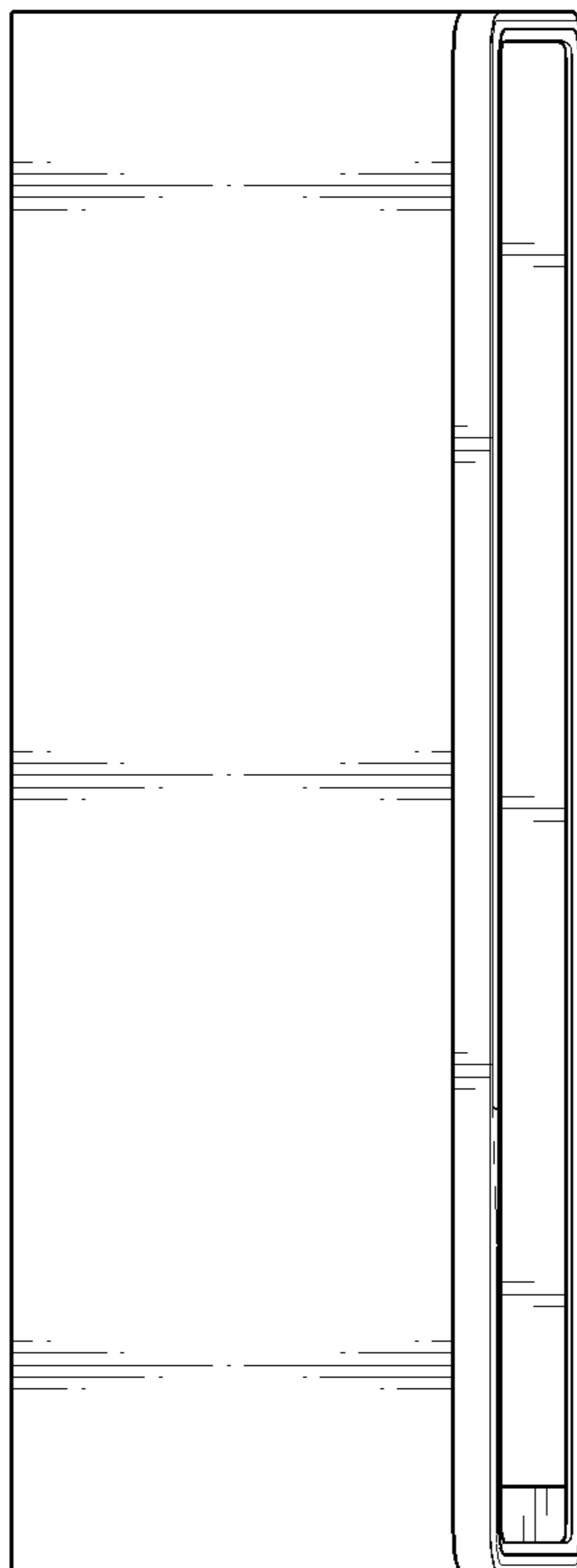


FIG. 5

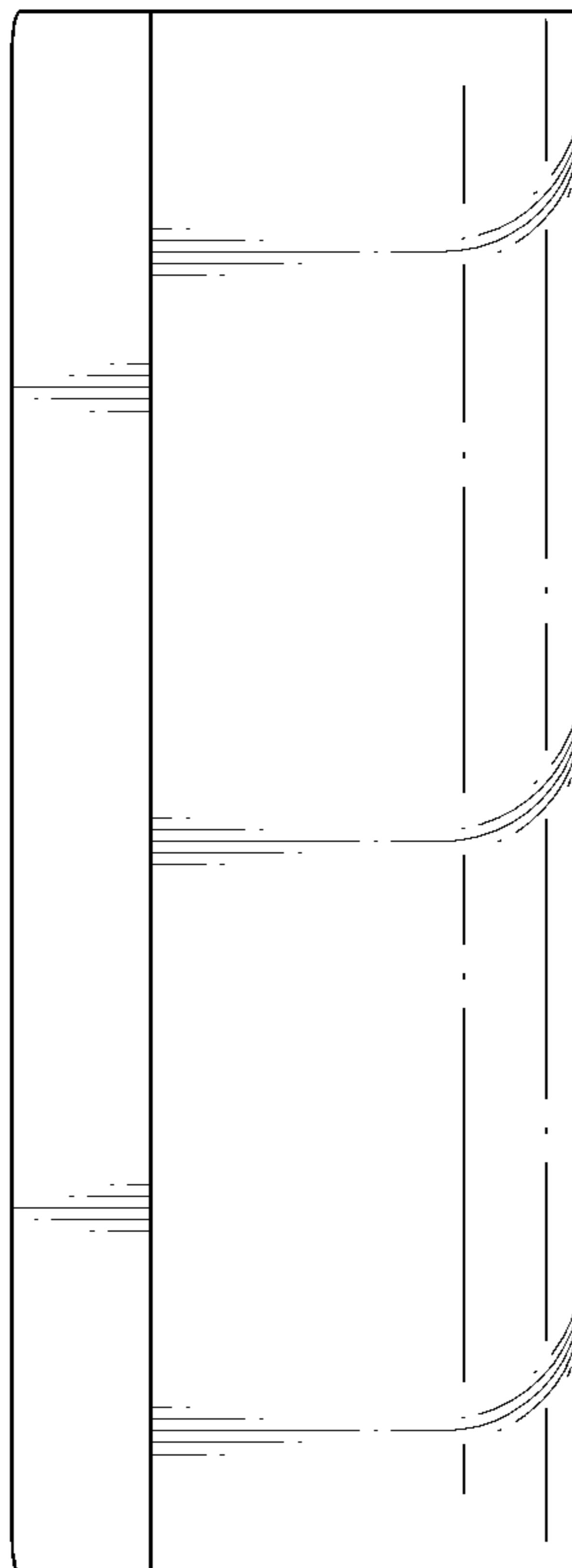


FIG. 6

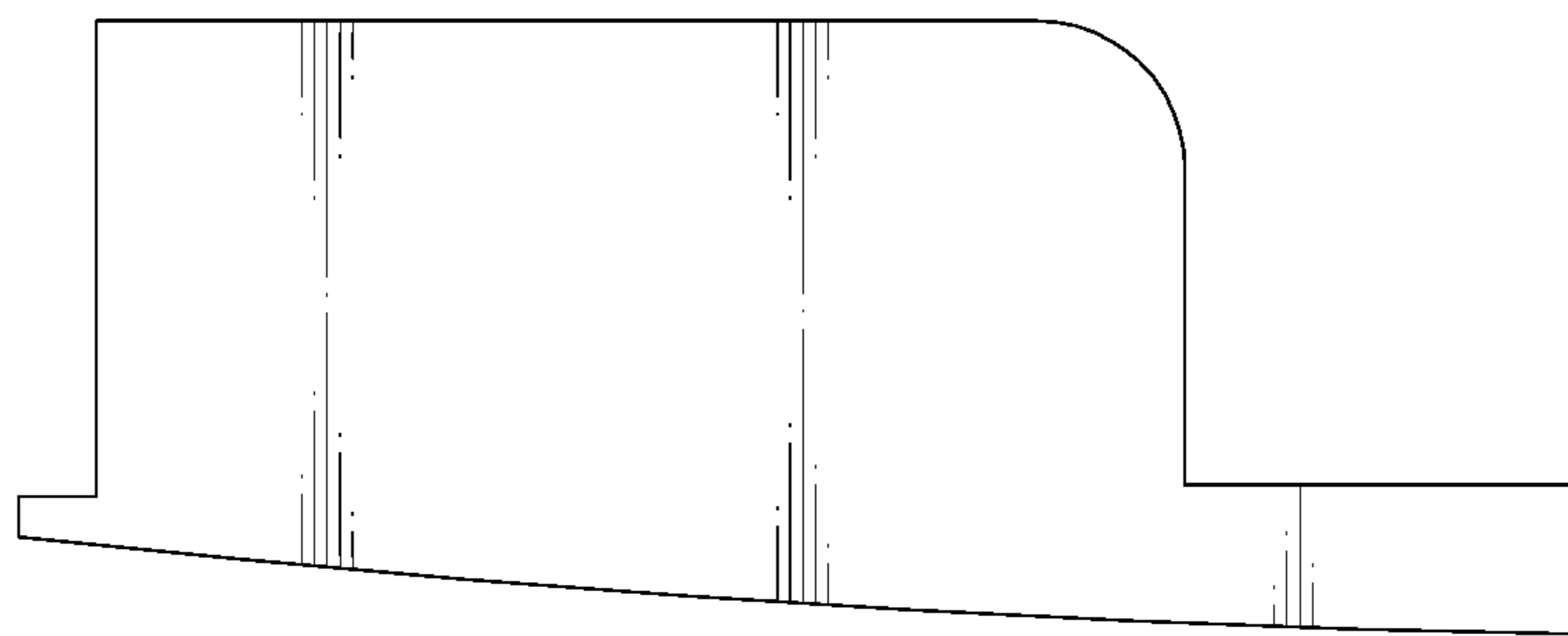


FIG. 7

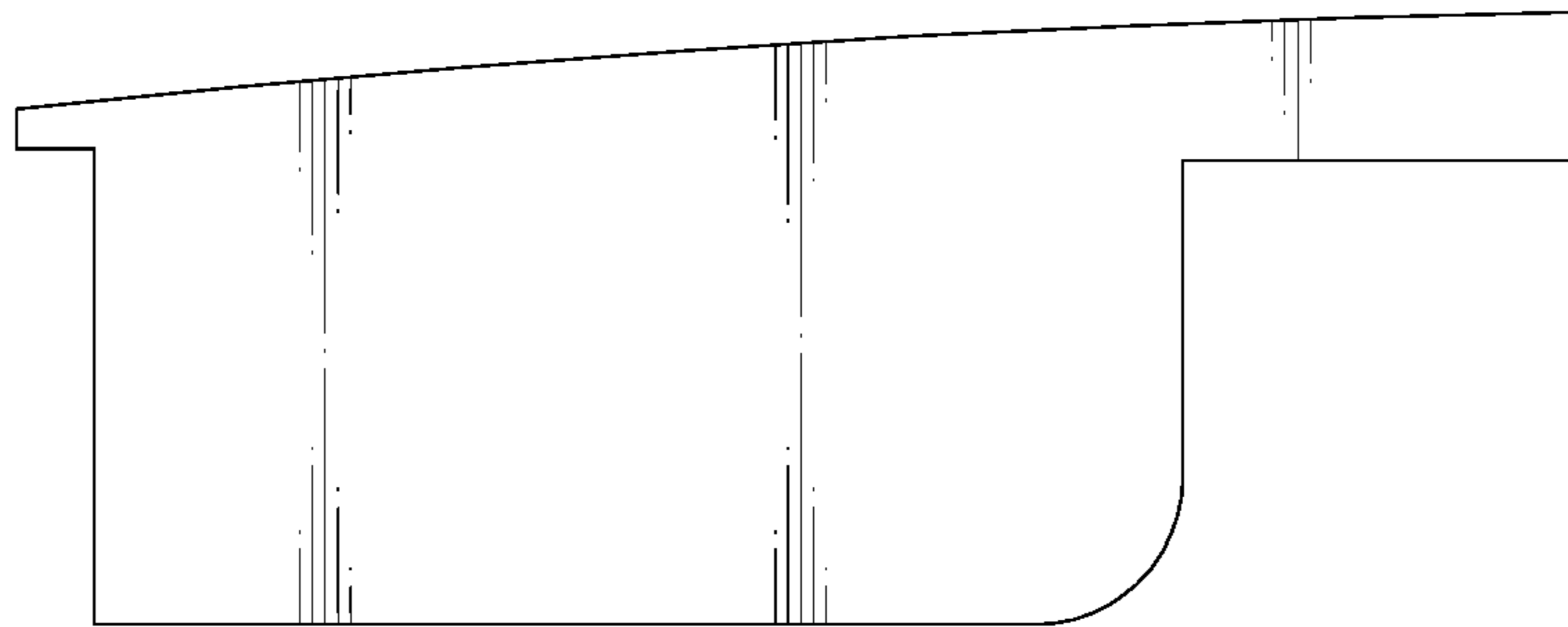


FIG. 8

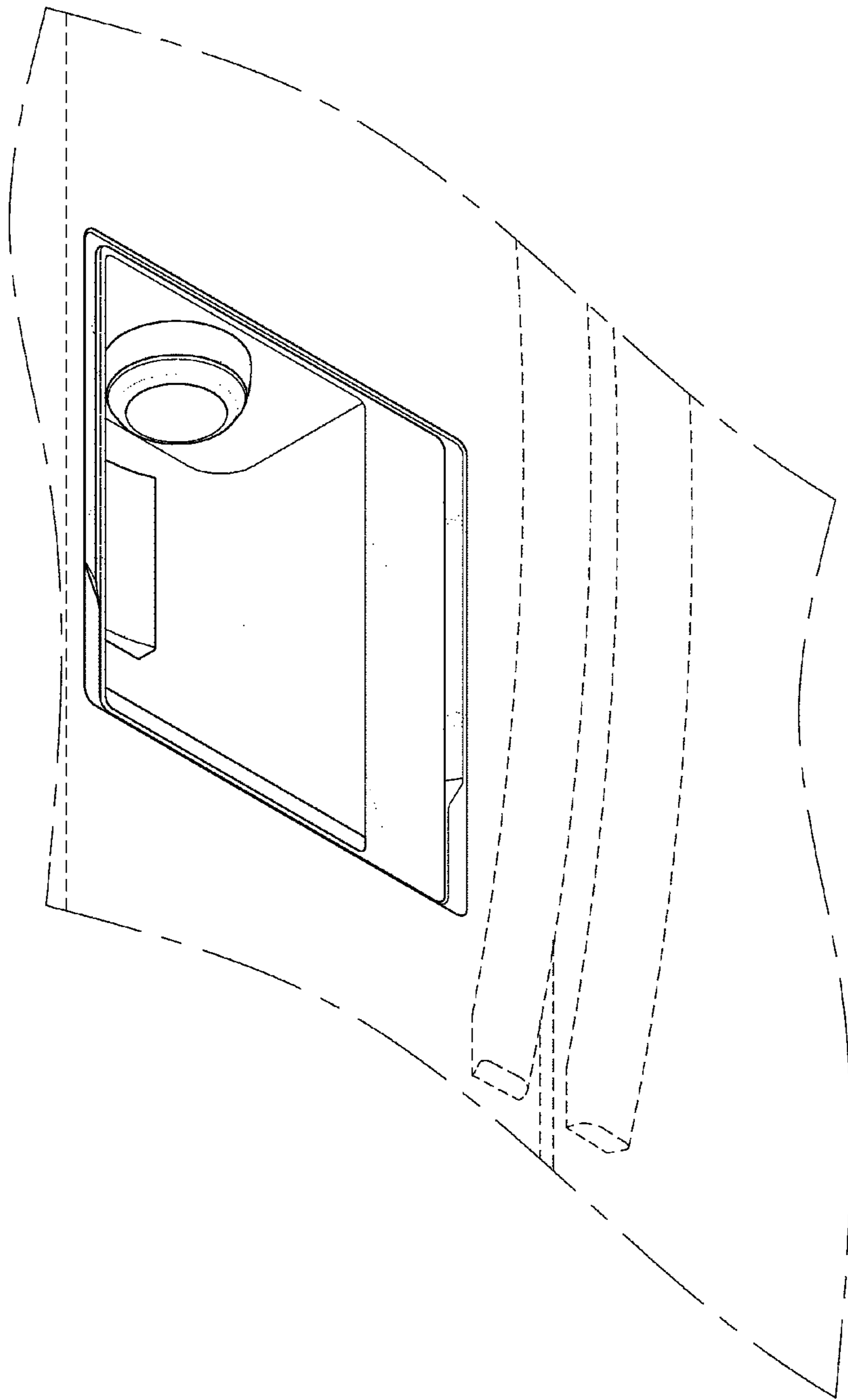


FIG. 9

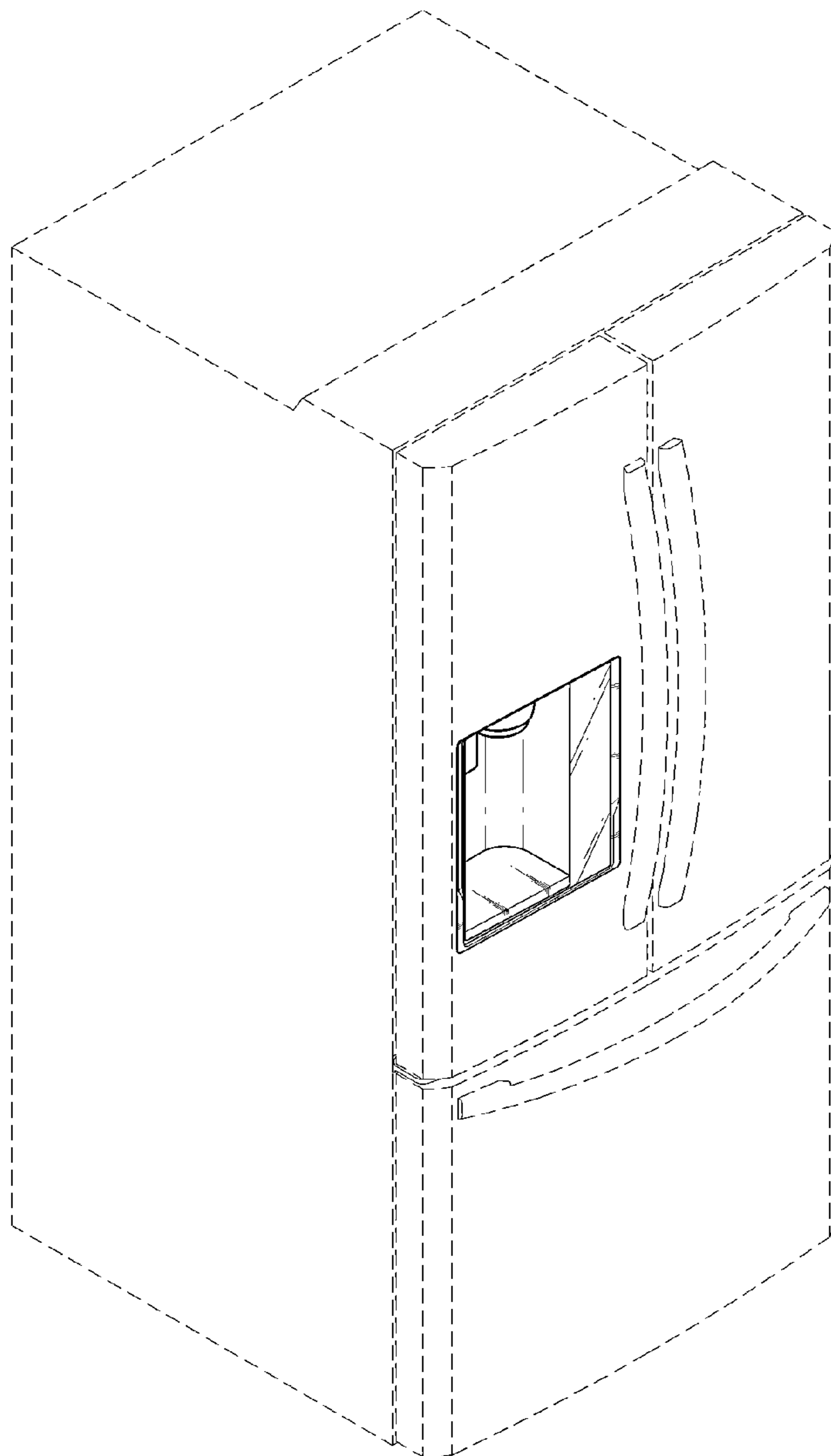


FIG. 10

