



US00D709104S

(12) **United States Design Patent**
Caron et al.

(10) **Patent No.:** **US D709,104 S**
(45) **Date of Patent:** **** Jul. 15, 2014**

- (54) **LANDFILL COMPACTOR TOOTH**
- (71) Applicant: **Caron Compactor Company**, Escalon, CA (US)
- (72) Inventors: **James O. Caron**, Modesto, CA (US);
David E. Williams, Oakdale, CA (US)
- (73) Assignee: **Caron Compactor Company**, Escalon, CA (US)
- (**) Term: **14 Years**

5,967,242 A *	10/1999	Caron et al.	172/817
D430,172 S	8/2000	Kesavan	
D453,940 S	2/2002	McCartney	
6,619,883 B2	9/2003	Livesay et al.	
6,632,045 B1	10/2003	McCartney	
6,682,262 B2	1/2004	Caron et al.	
6,712,551 B2	3/2004	Livesay et al.	
6,837,649 B2	1/2005	Livesay et al.	
6,991,401 B1	1/2006	Caron	
7,108,452 B2	9/2006	Caron et al.	
D538,828 S	3/2007	Stern	
7,198,333 B1	4/2007	Freeman	
D617,351 S *	6/2010	Brockway	D15/28
D617,817 S	6/2010	Brockway	

(Continued)

- (21) Appl. No.: **29/477,564**
- (22) Filed: **Dec. 23, 2013**
- (51) **LOC (10) Cl.** **15-03**
- (52) **U.S. Cl.**
USPC **D15/28**
- (58) **Field of Classification Search**
USPC D15/20, 21, 28, 29; D12/604; 404/124,
404/121, 90, 122; 301/43, 44.1-44.4;
172/122, 540, 554; 37/454, 453, 455,
37/452

See application file for complete search history.

(56) **References Cited**

U.S. PATENT DOCUMENTS

4,066,375 A	1/1978	Caron et al.	
4,074,942 A *	2/1978	Cochran	404/121
4,530,620 A *	7/1985	McCartney	404/121
4,668,122 A	5/1987	Riddle	
4,919,566 A	4/1990	Caron et al.	
H946 H	8/1991	Lonn	
5,217,321 A	6/1993	Corcoran et al.	
D338,677 S	8/1993	Corcoran et al.	
D338,898 S	8/1993	Corcoran et al.	
D359,054 S	6/1995	Gale et al.	
D379,630 S	6/1997	Brockway	
5,687,799 A	11/1997	Greenfield et al.	
5,795,097 A	8/1998	Caron et al.	

OTHER PUBLICATIONS

Caron Compactor Company, Complete Product Guide, Feb. 2007 (18 pages).

Primary Examiner — Mark Goodwin

(74) *Attorney, Agent, or Firm* — Vista IP Law Group LLP

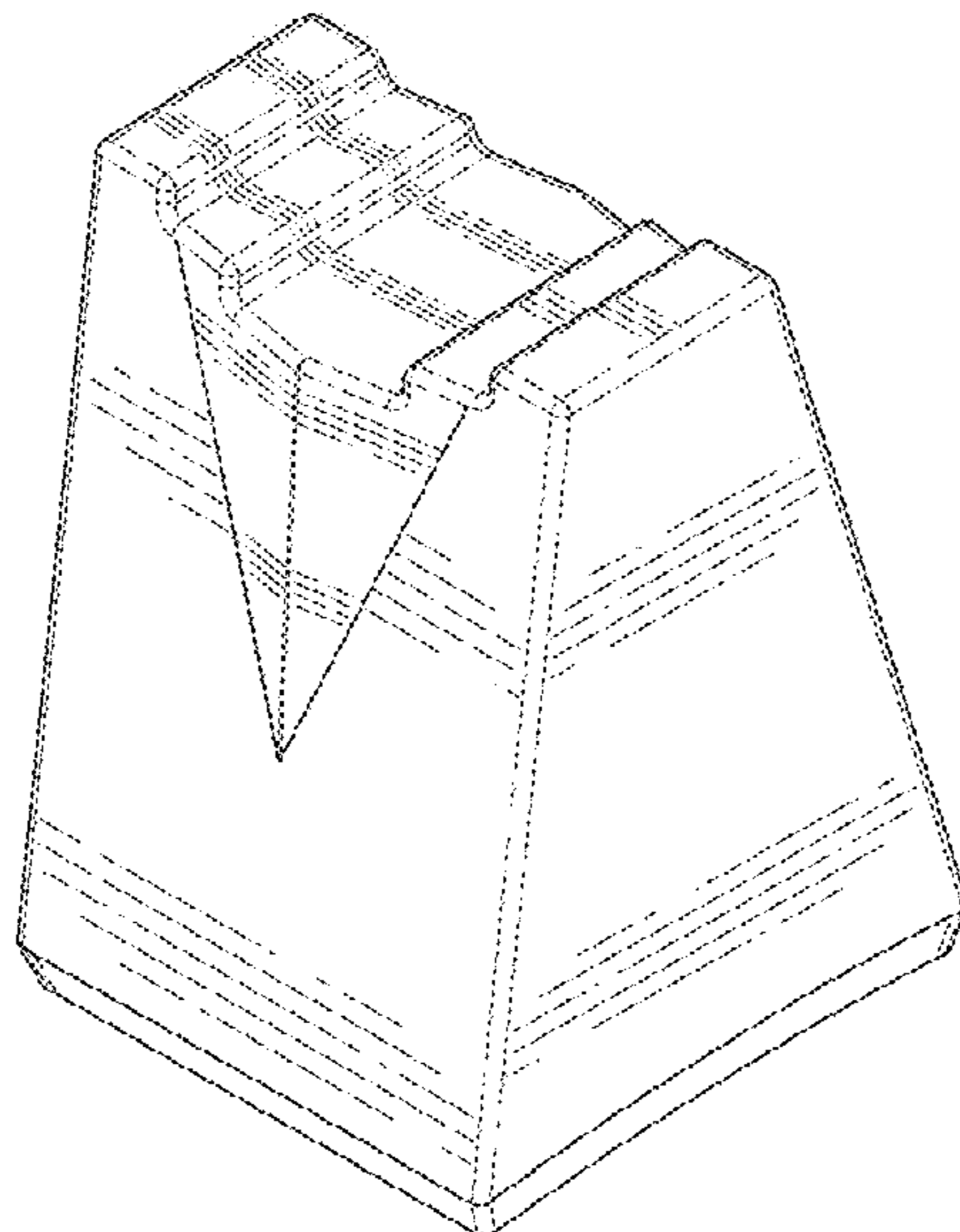
(57) **CLAIM**

The ornamental design for the landfill compactor tooth, as shown and described.

DESCRIPTION

FIG. 1 is a top perspective view of the landfill compactor tooth showing our new design;
 FIG. 2 is a bottom perspective view thereof;
 FIG. 3 is a front elevational view thereof;
 FIG. 4 is a back elevational view thereof;
 FIG. 5 is a right elevational view thereof;
 FIG. 6 is a left elevational view thereof;
 FIG. 7 is a top plan view thereof;
 FIG. 8 is a bottom plan view thereof;
 FIG. 9 is a top perspective view thereof; and,
 FIG. 10 is a cross-sectional view thereof taken along the line 10-10 of FIG. 9.

1 Claim, 9 Drawing Sheets



(56)

References Cited

U.S. PATENT DOCUMENTS

D660,877 S 5/2012 Caron et al.
D660,878 S 5/2012 Caron et al.
8,197,157 B2 6/2012 Brockway
8,333,439 B2 12/2012 Gibbins
D692,925 S 11/2013 Caron et al.

D692,926 S 11/2013 Caron et al.
2002/0048489 A1 4/2002 Caron et al.
2003/0063951 A1 4/2003 Bierwith
2004/0033107 A1 2/2004 Caron et al.
2010/0247242 A1* 9/2010 Gibbins 404/124
2012/0003041 A1 1/2012 McPhail et al.
2012/0003042 A1 1/2012 McPhail et al.
2013/0025890 A1 1/2013 Schoepke et al.

* cited by examiner

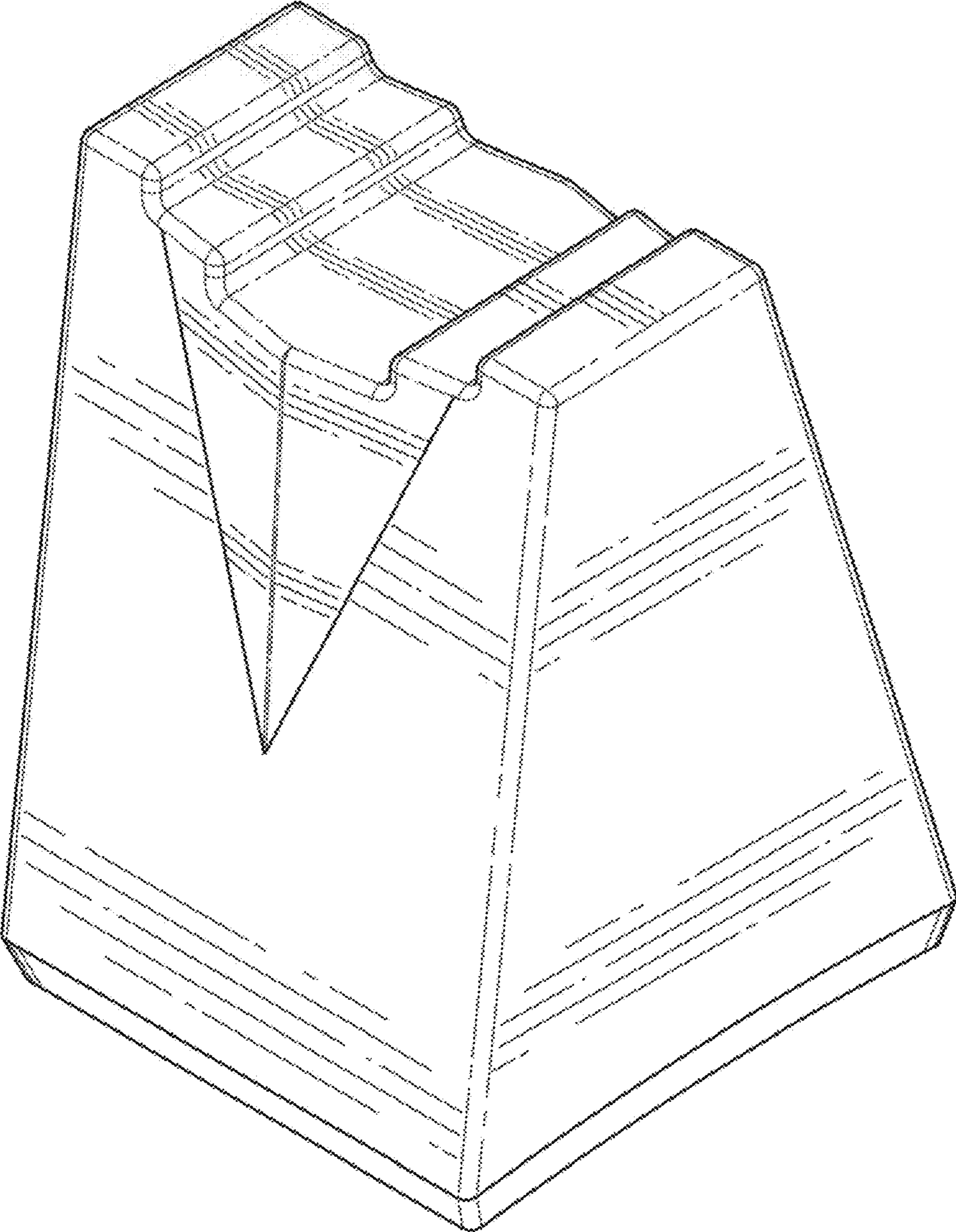


FIG. 1

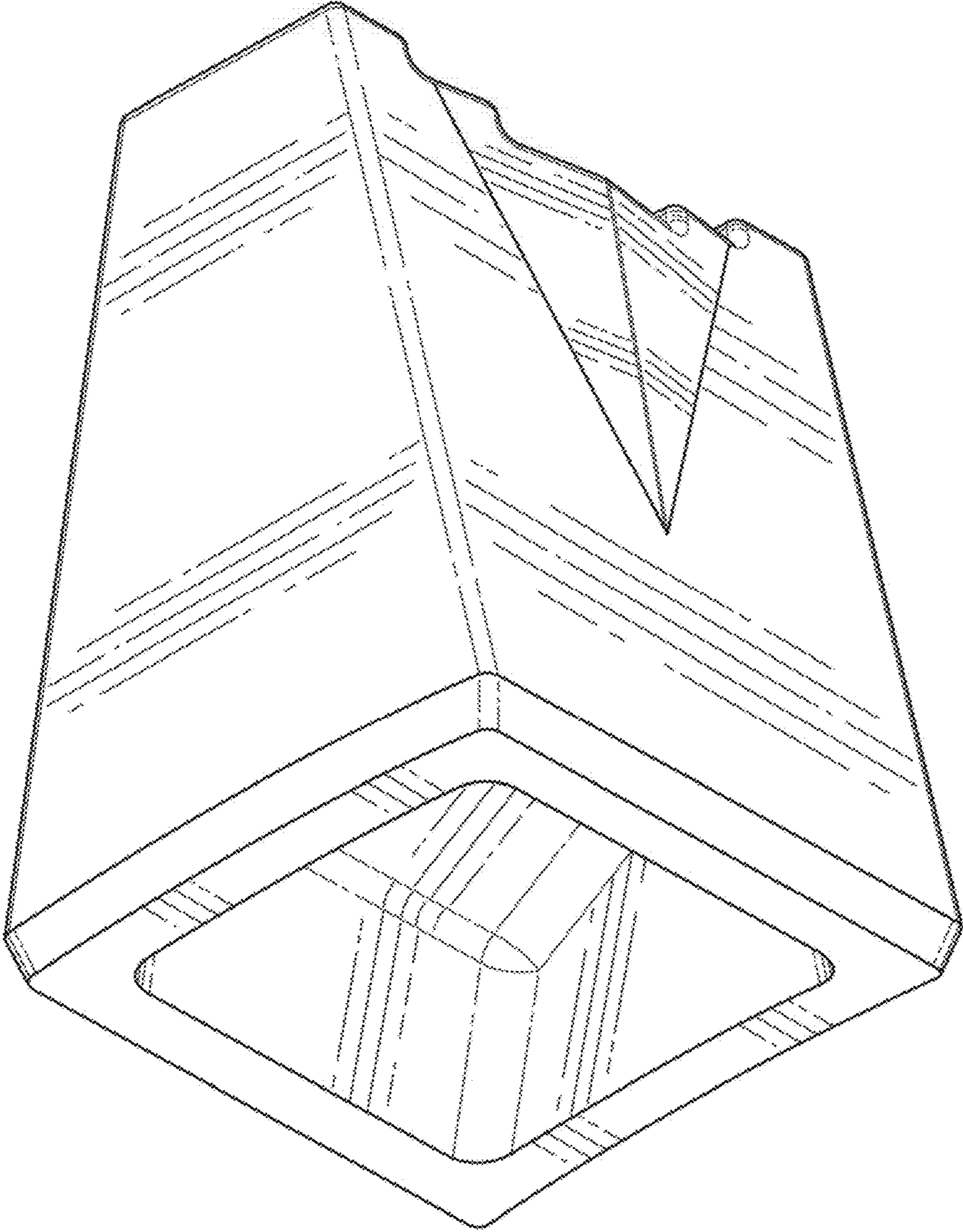


FIG. 2

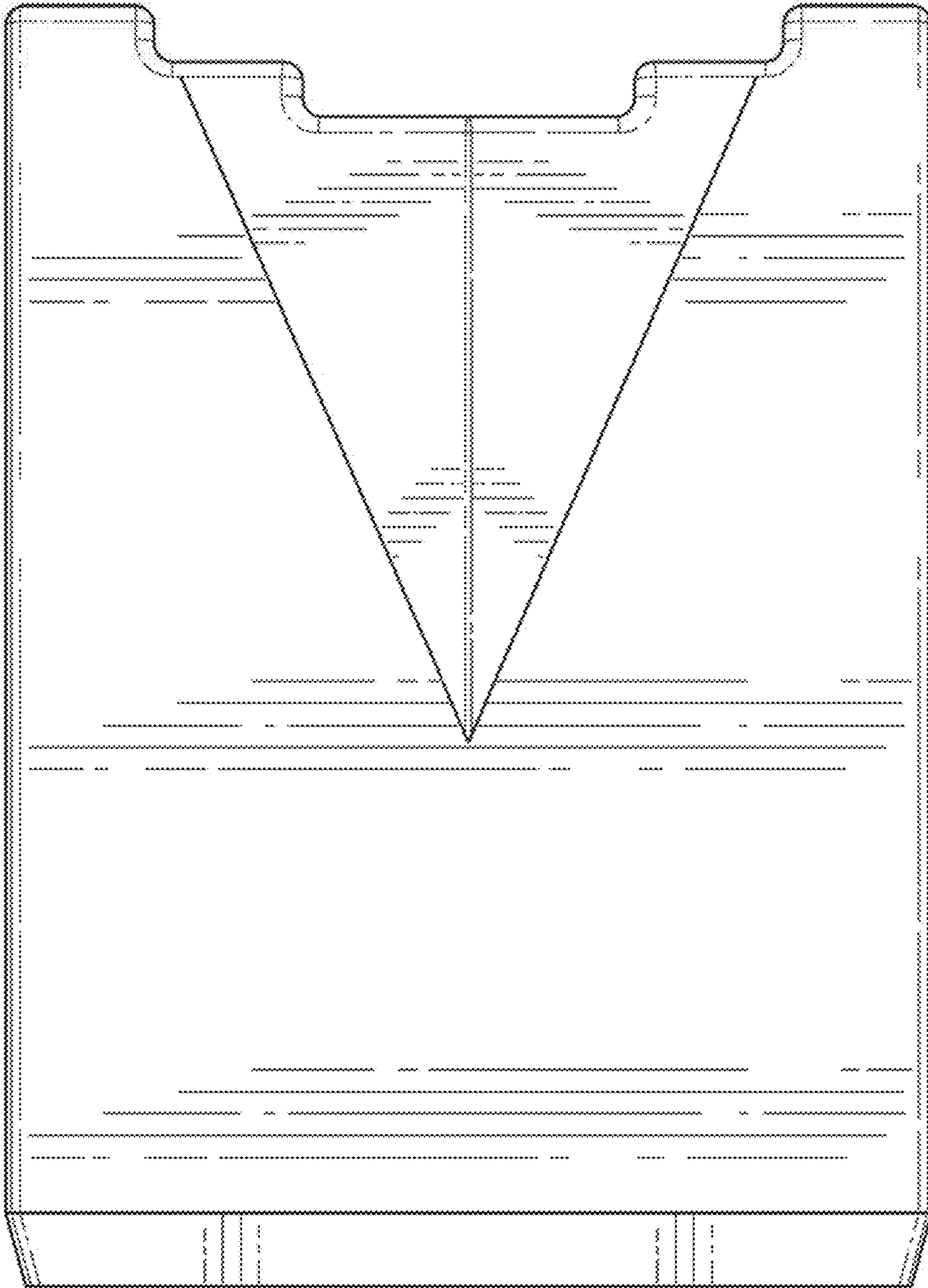


FIG. 3

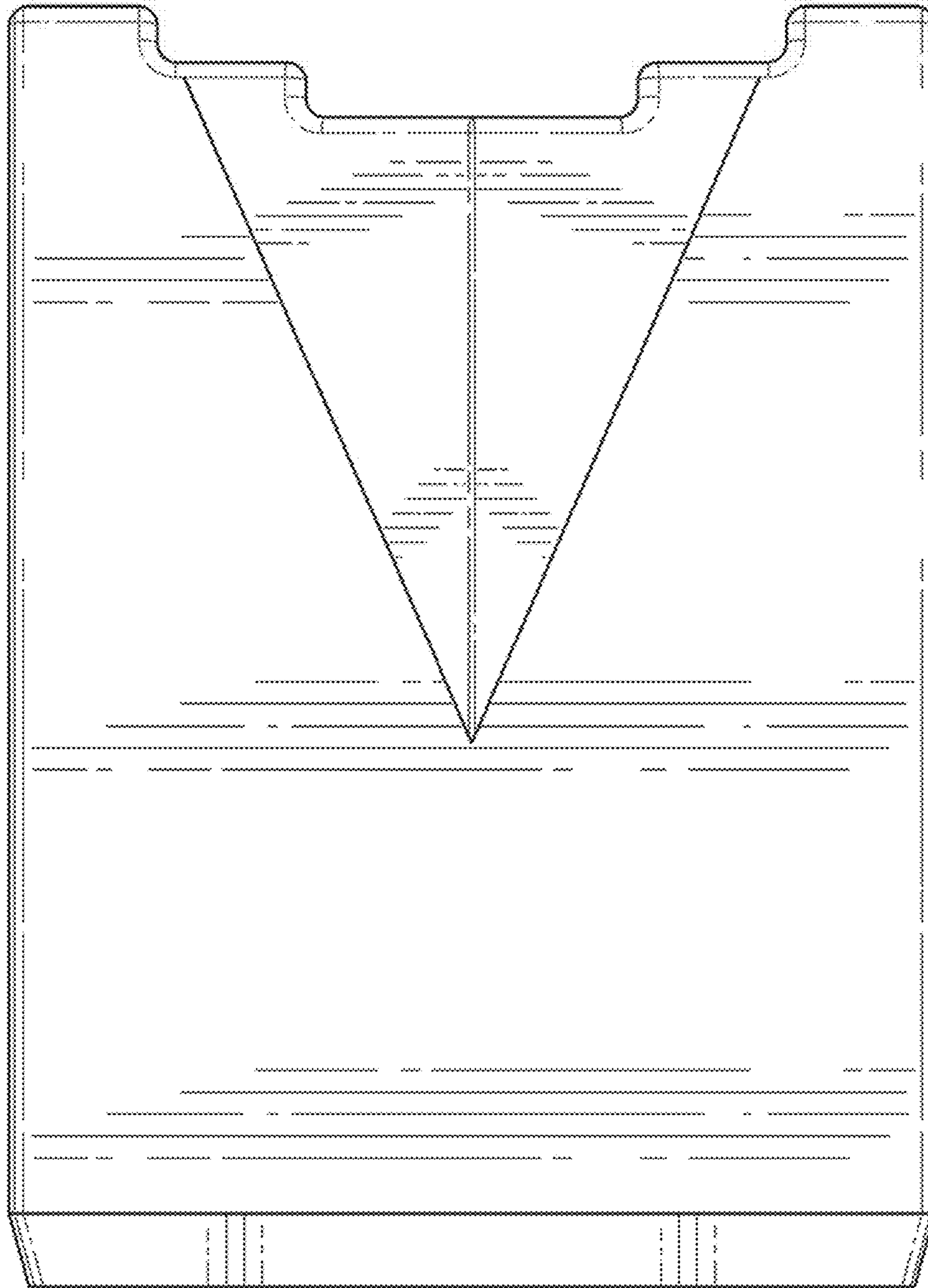


FIG. 4

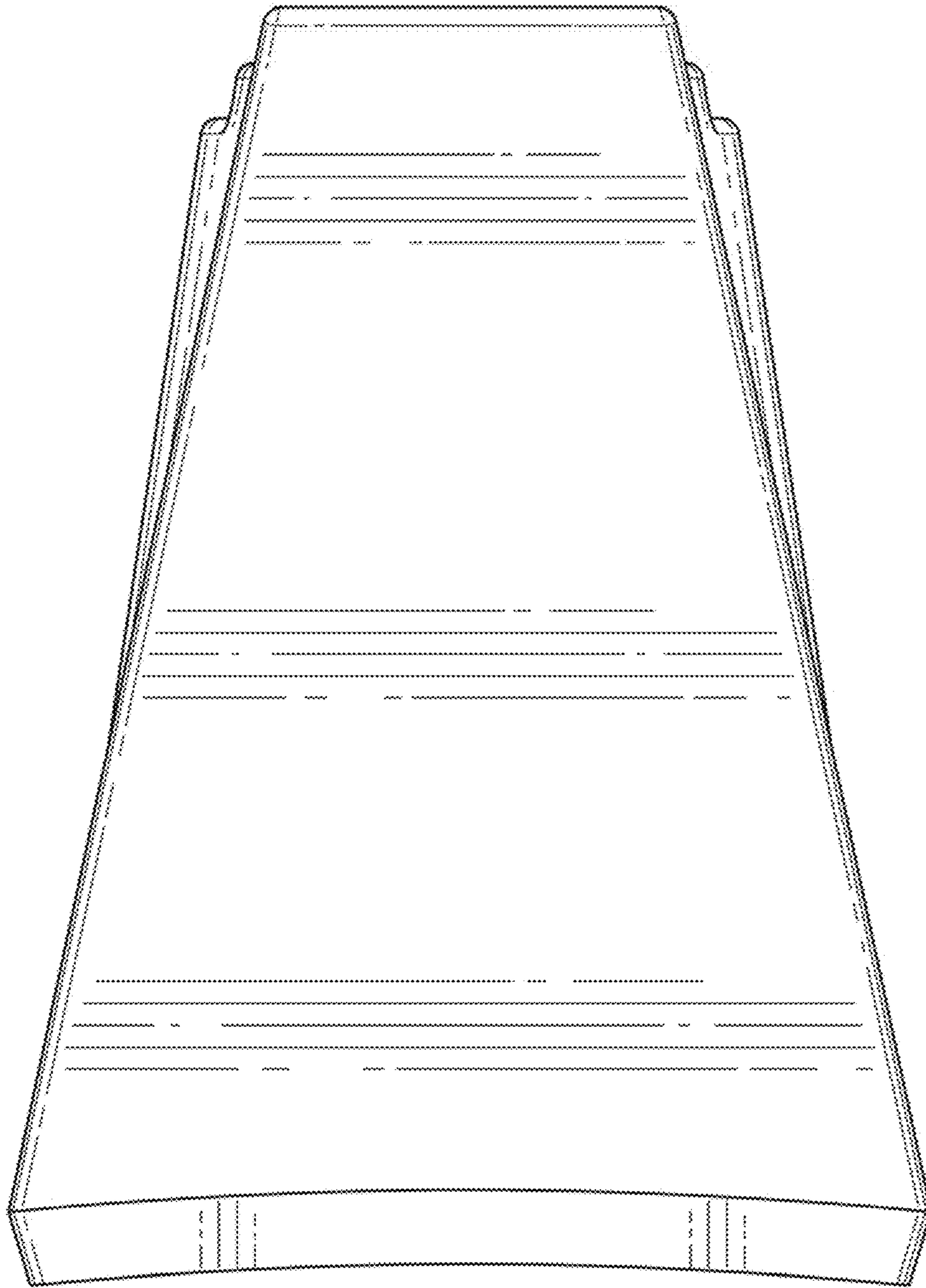


FIG. 5

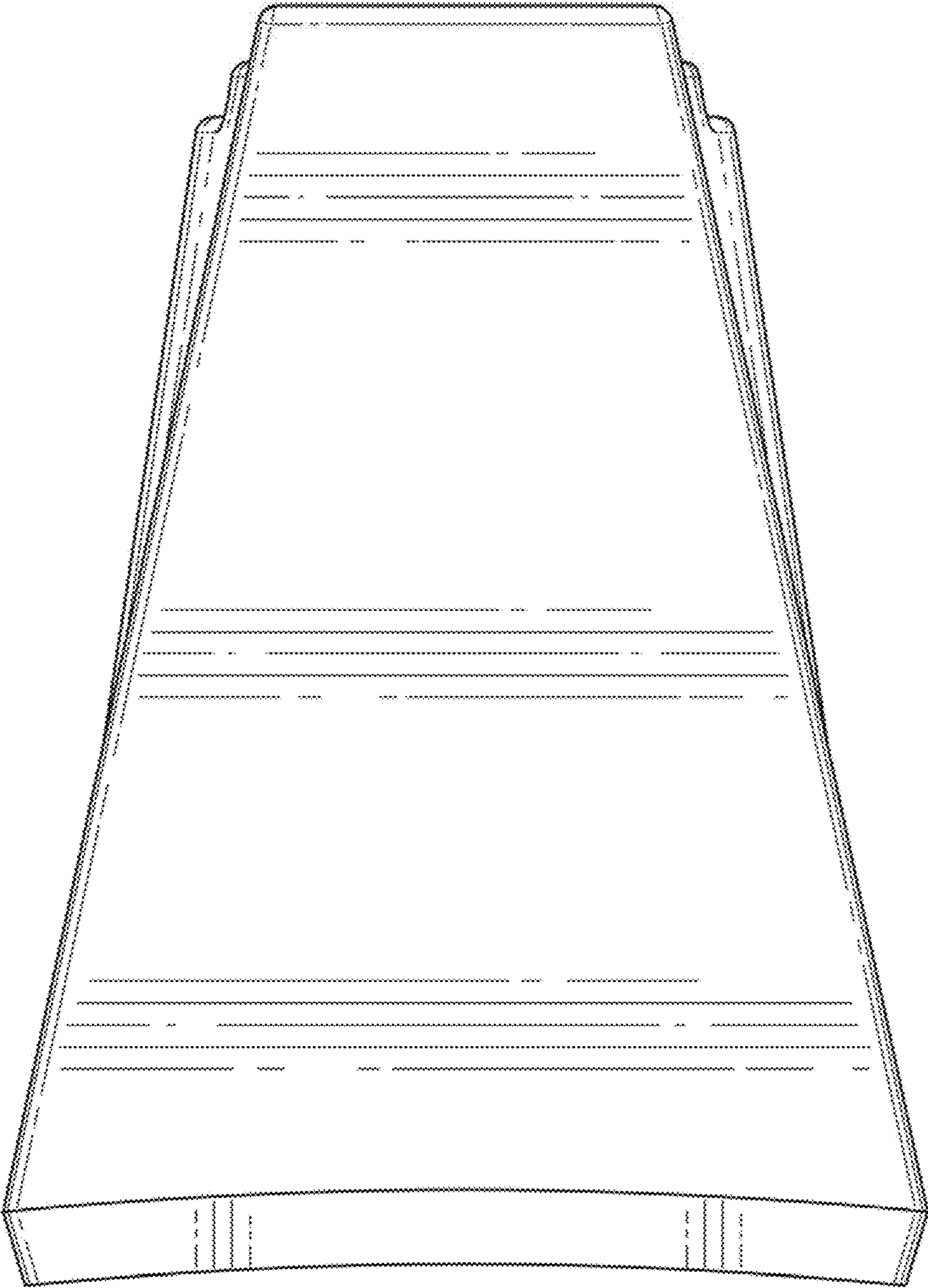


FIG. 6

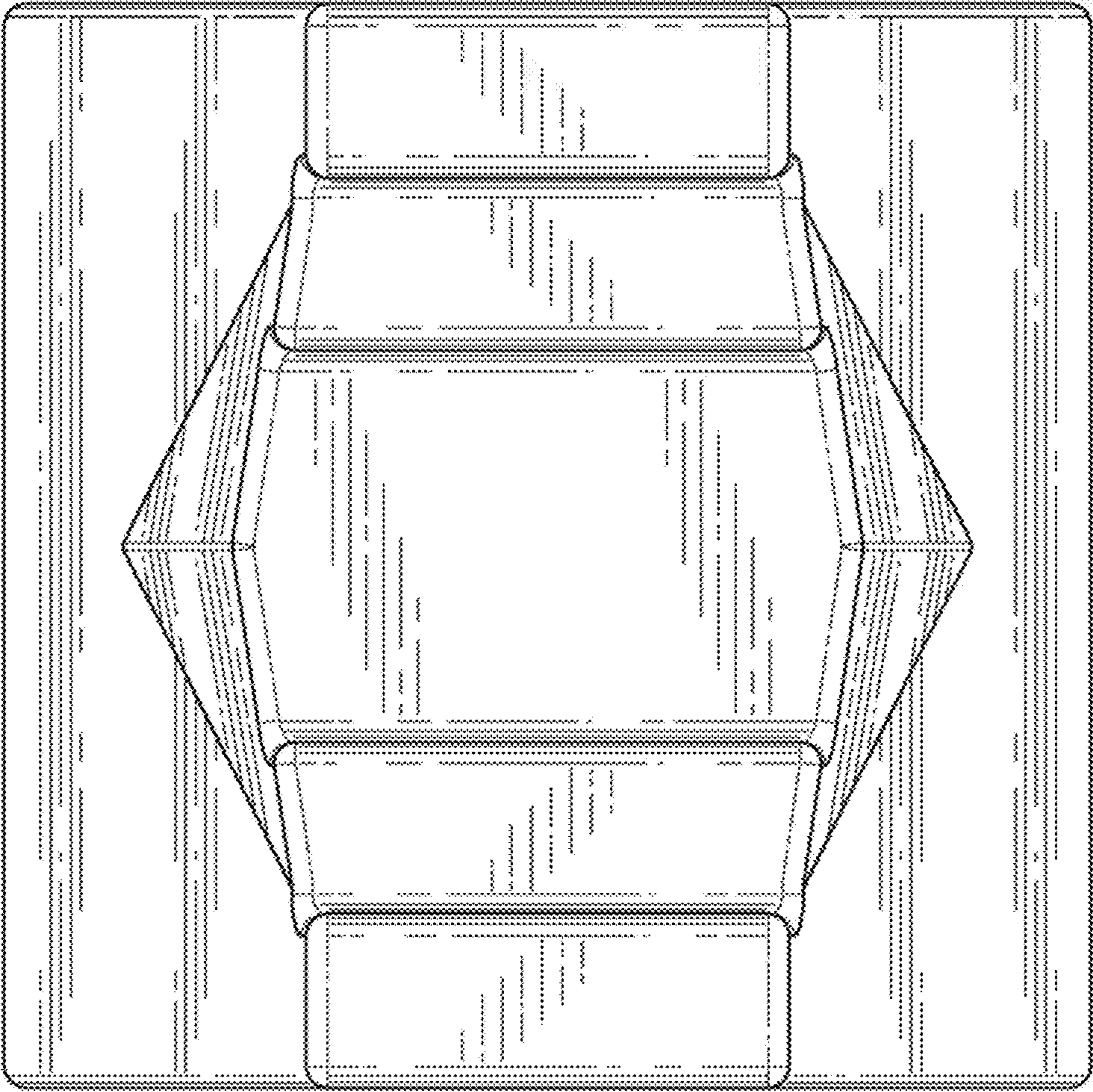


FIG. 7

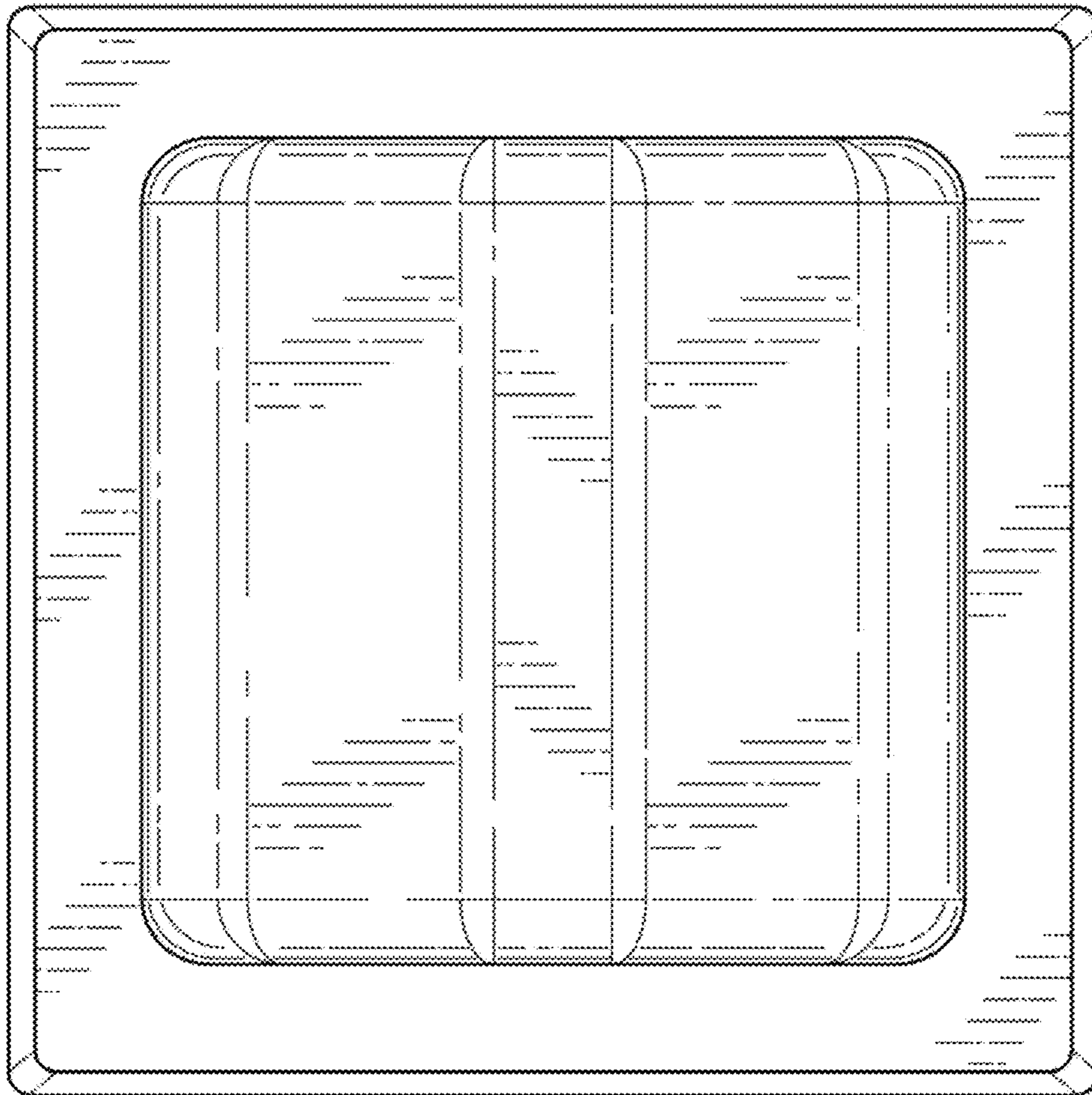


FIG. 8

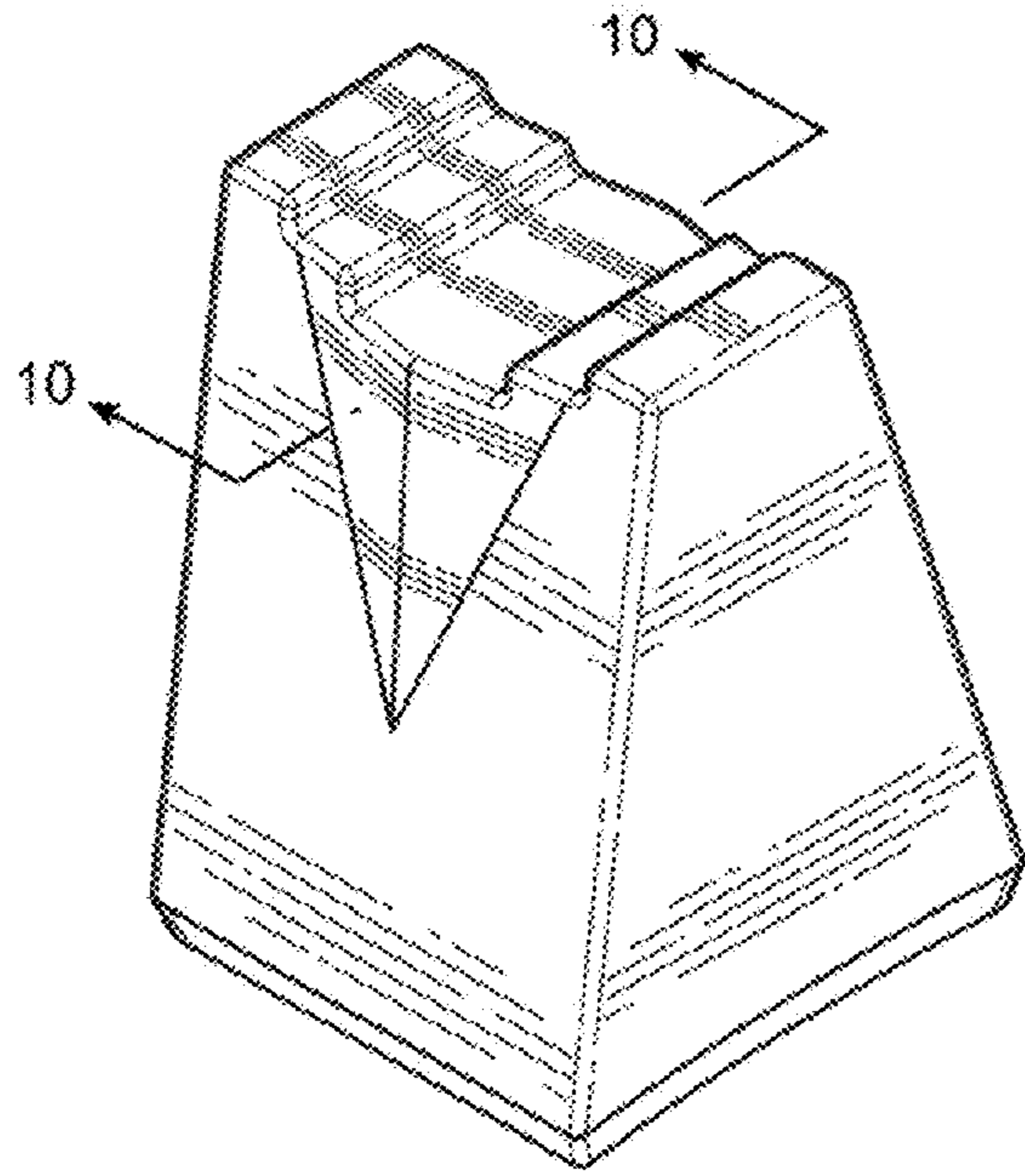


FIG. 9

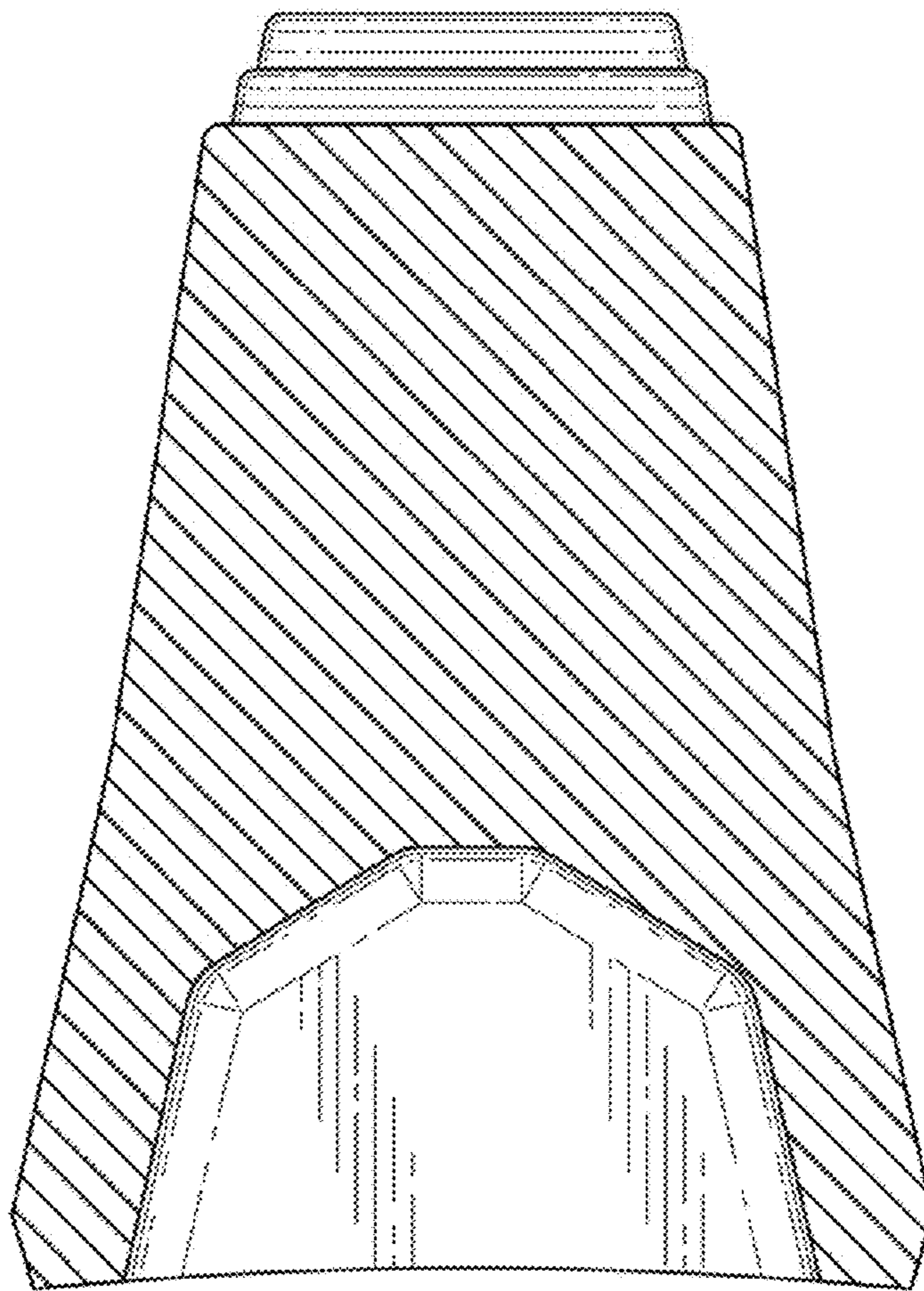


FIG. 10