



US00D709101S

(12) **United States Design Patent**
Merritt

(10) **Patent No.:** **US D709,101 S**
(45) **Date of Patent:** **** Jul. 15, 2014**

(54) **RAKE PRONG**

(71) Applicant: **Ceres Turf, Inc.**, Wilmington, NC (US)

(72) Inventor: **Robert J. Merritt**, Wilmington, NC (US)

(73) Assignee: **Ceres Turf, Inc.**, Wilmington, NC (US)

(**) Term: **14 Years**

(21) Appl. No.: **29/464,550**

(22) Filed: **Aug. 19, 2013**

(51) **LOC (10) Cl.** **15-03**

(52) **U.S. Cl.**
USPC **D15/28**

(58) **Field of Classification Search**
USPC D15/11, 13, 17, 19, 21, 28, 27, 29;
172/719, 713, 749, 699, 720, 772,
172/772.5; 37/141 R, 141 T, 142 A, 142 R
See application file for complete search history.

(56) **References Cited**

U.S. PATENT DOCUMENTS

1,705,441	A	*	3/1929	Cramer	56/400.01
2,191,741	A	*	2/1940	Hoffman	172/357
D173,546	S	*	11/1954	Stromberg	D8/13
D173,972	S	*	2/1955	Taylor	D15/11
2,797,629	A	*	7/1957	Kelley	172/488
D254,307	S	*	2/1980	Thayer et al.	D15/13
D297,940	S	*	10/1988	Edmisson	D15/29
D299,351	S	*	1/1989	Edmisson	D15/29
D326,460	S	*	5/1992	Anderson	D15/29

D350,464	S	*	9/1994	Colonello	D8/13
D358,401	S	*	5/1995	Devaney	D15/27
D379,630	S	*	6/1997	Brockway	D15/29
5,699,863	A	*	12/1997	Figura	172/145
6,394,737	B1	*	5/2002	Griffin	414/607
D487,753	S	*	3/2004	Brady	D15/21
D505,431	S	*	5/2005	Sund	D15/29
D524,333	S	*	7/2006	Brady	D15/139
D631,488	S	*	1/2011	Holland et al.	D15/21
D693,855	S	*	11/2013	Halter	D15/28

* cited by examiner

Primary Examiner — Mark Goodwin

(74) *Attorney, Agent, or Firm* — Ward and Smith, P.A.

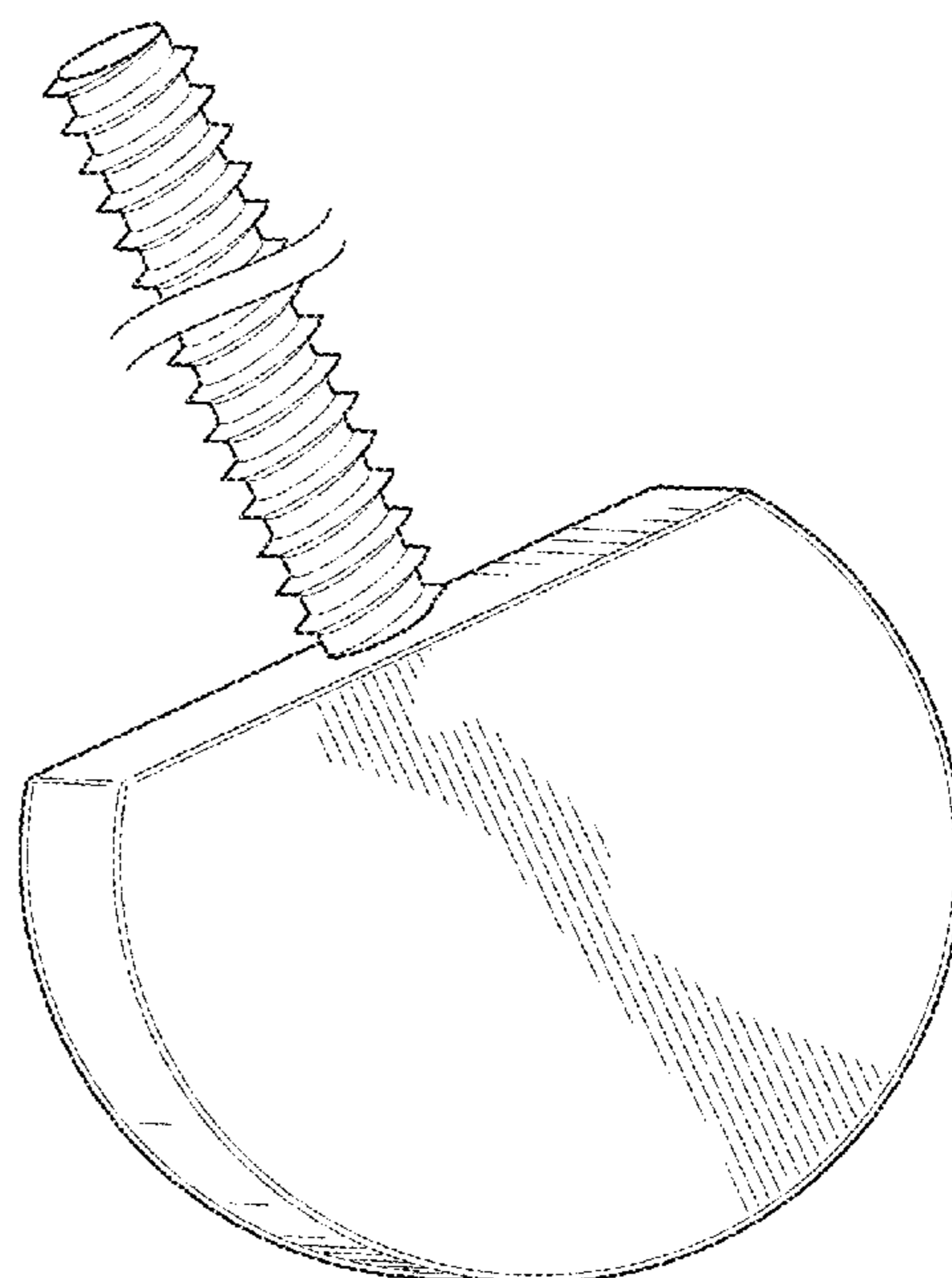
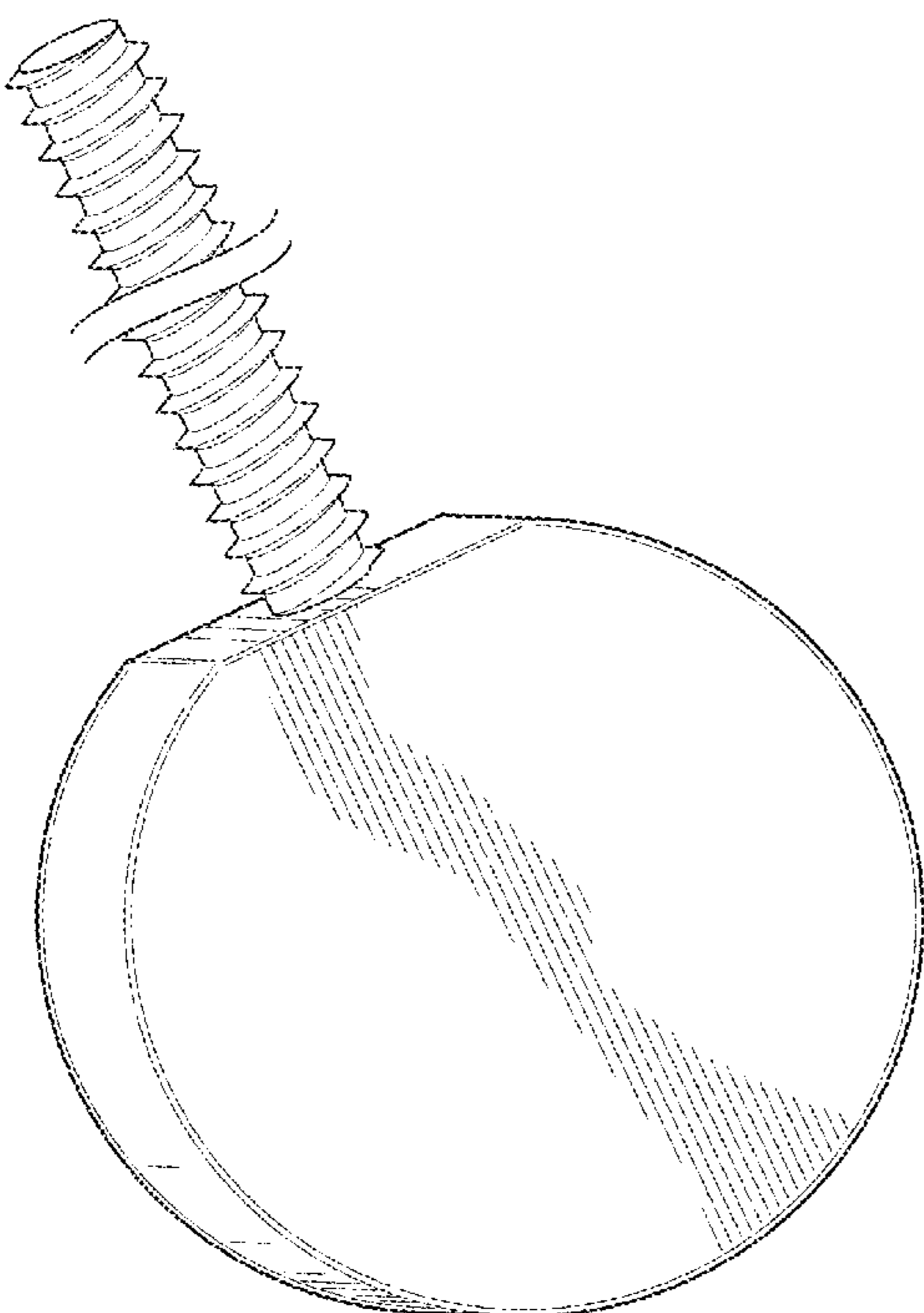
(57) **CLAIM**

The ornamental design for a rake prong, as shown and described.

DESCRIPTION

FIG. 1 is a perspective view of a rake prong showing my new design, the threaded portion of FIGS. 1-3, 6, and 7 being shown broken away to indicate indeterminate length; FIG. 2 is a right side elevation view thereof the left side view being a mirror image thereof; FIG. 3 is a front elevation view thereof the rear view being a mirror image thereof; FIG. 4 is a top plan view thereof; FIG. 5 is a bottom plan view thereof; FIG. 6 is a perspective view of another embodiment of a rake prong showing my new design; FIG. 7 is a right side elevation view thereof the left side view being a mirror image thereof; and, FIG. 8 is a top plan view thereof.

1 Claim, 7 Drawing Sheets



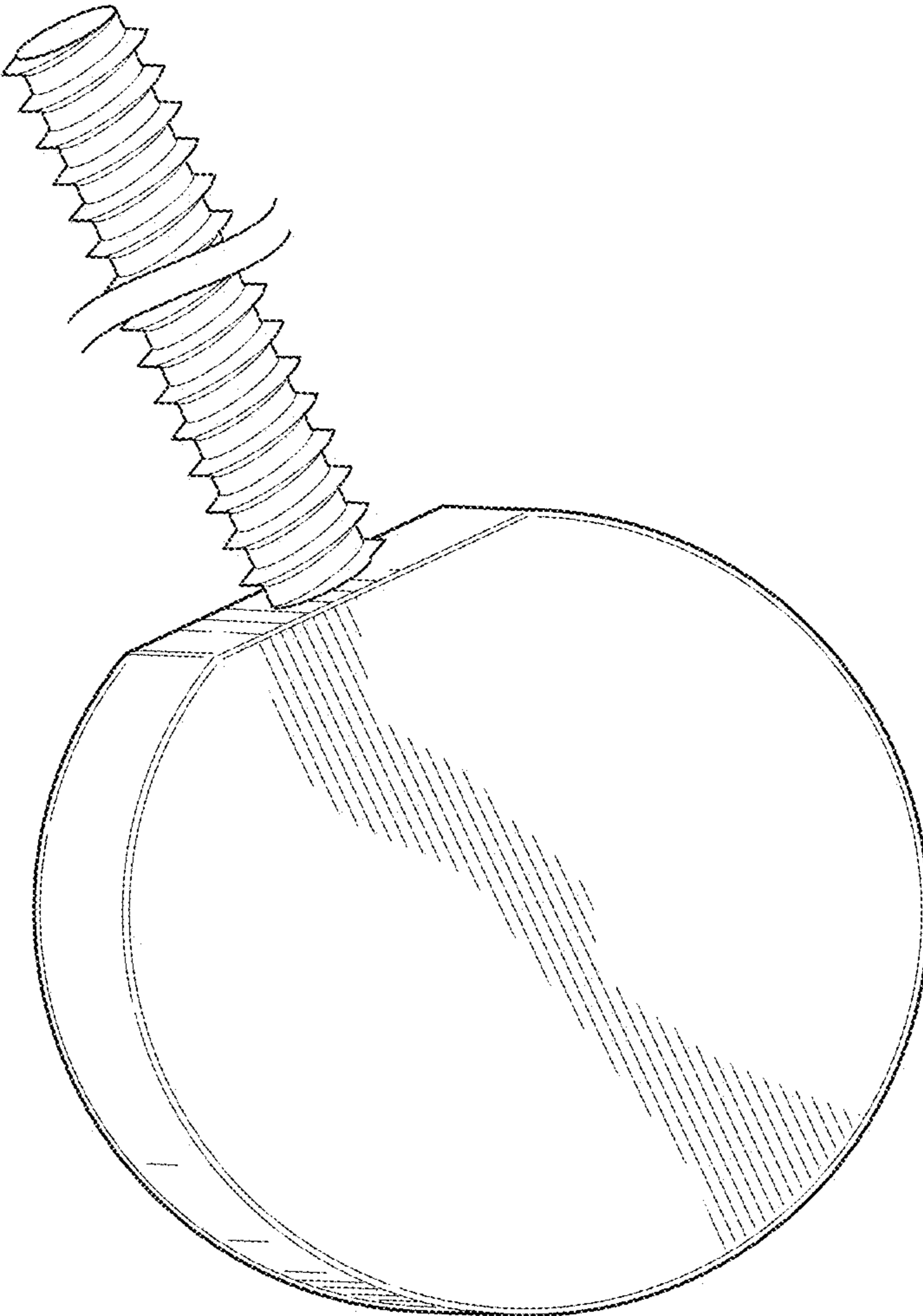


FIG. 1

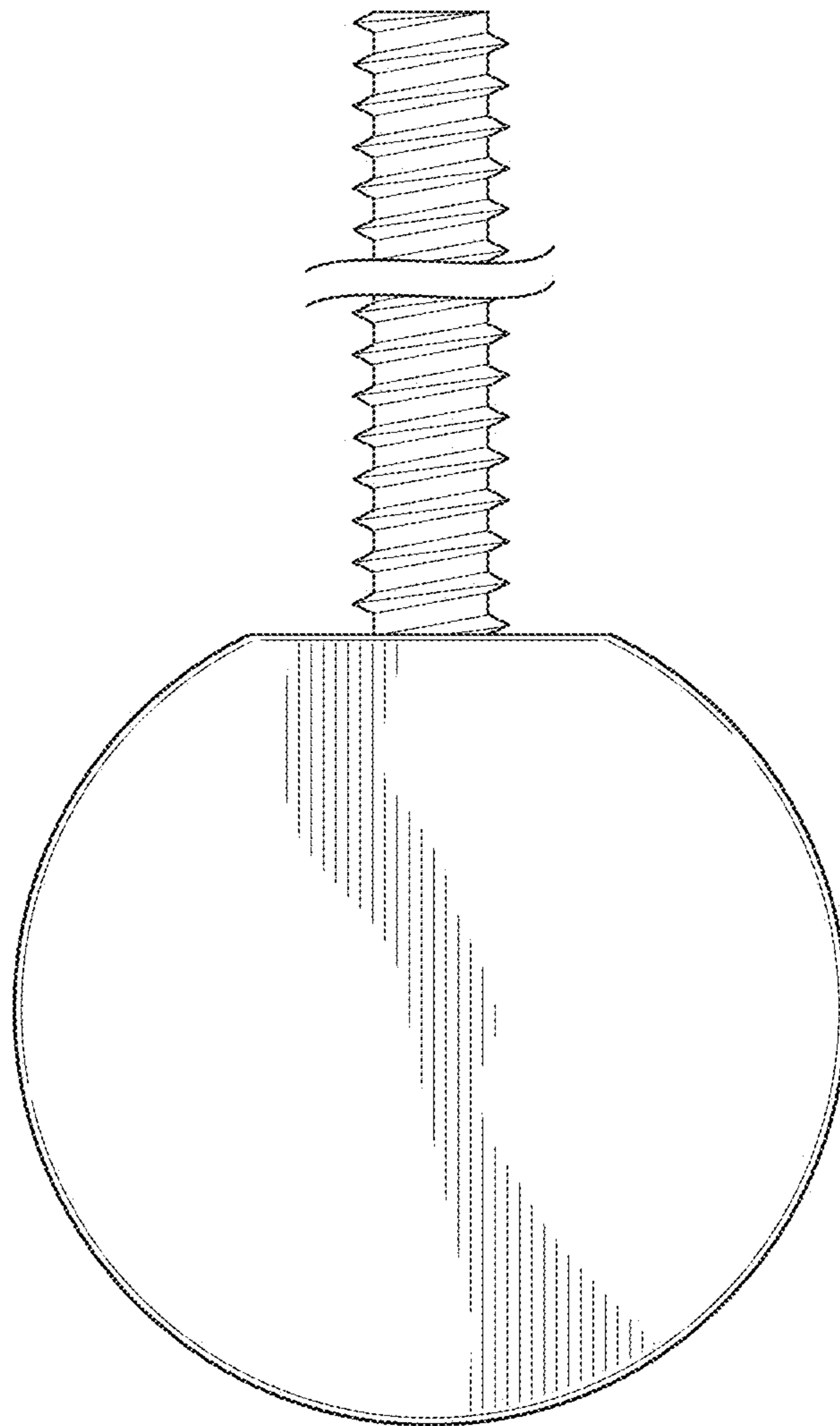


FIG. 2

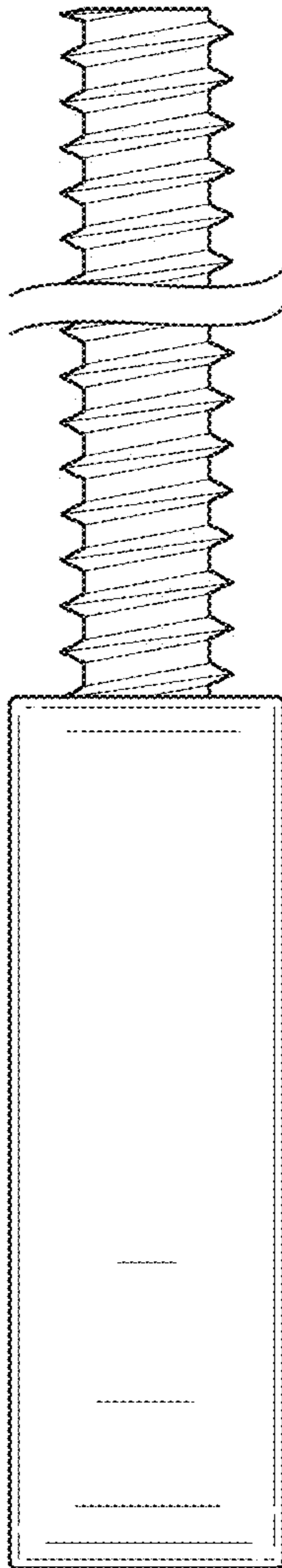


FIG. 3

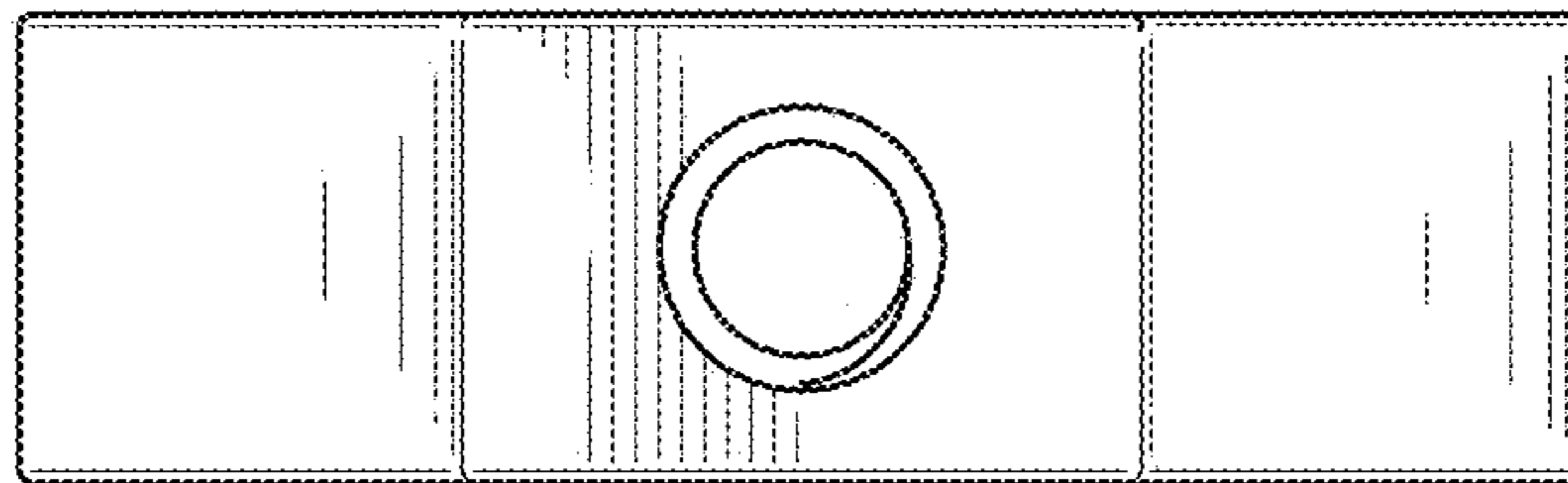


FIG. 4

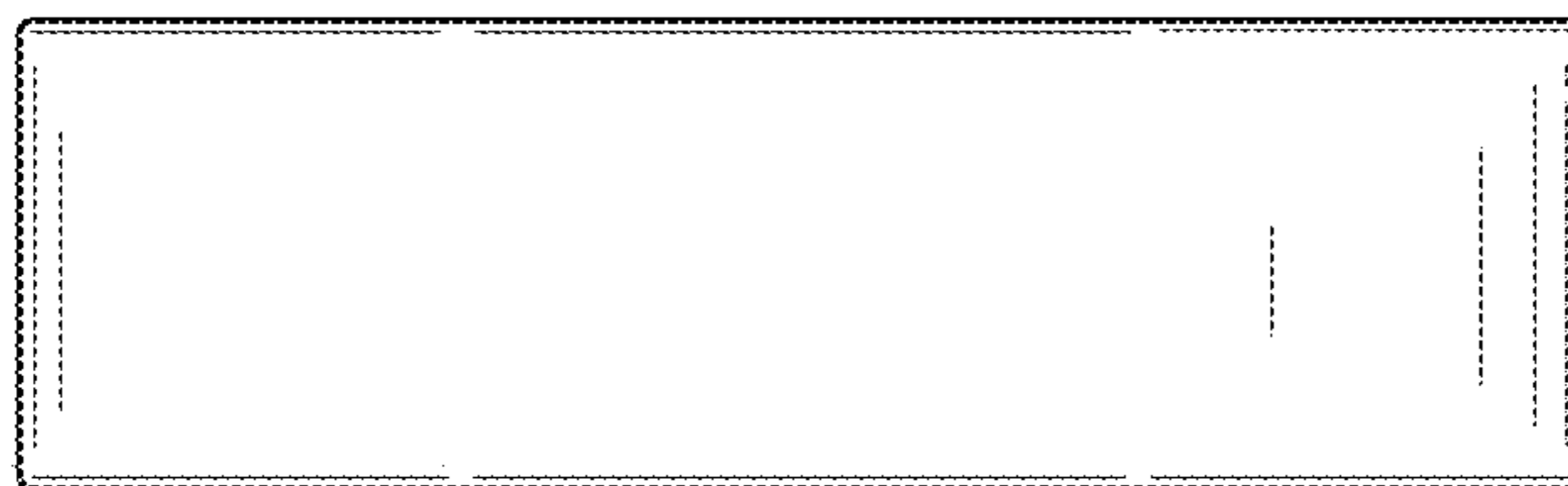


FIG. 5

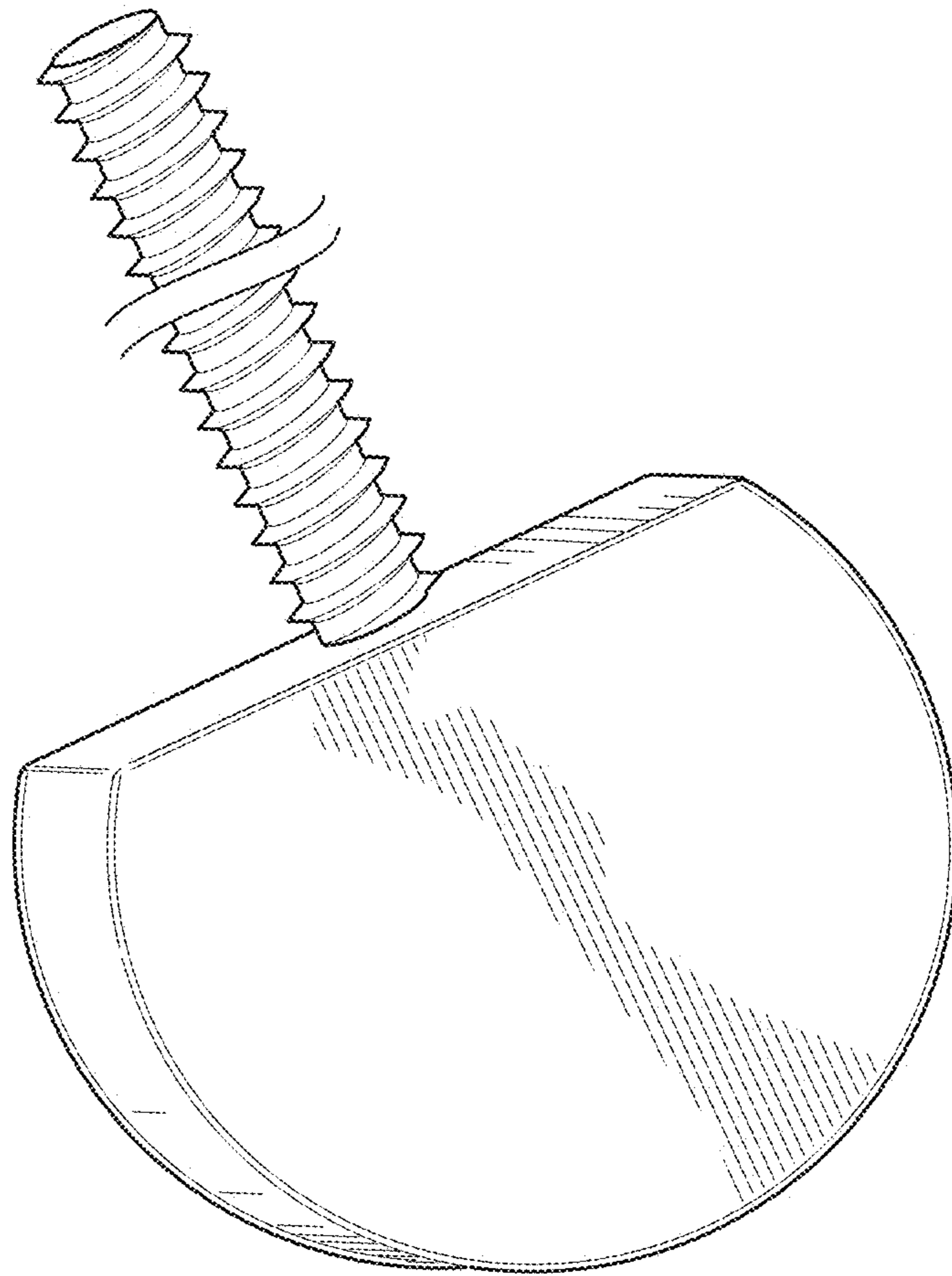


FIG. 6

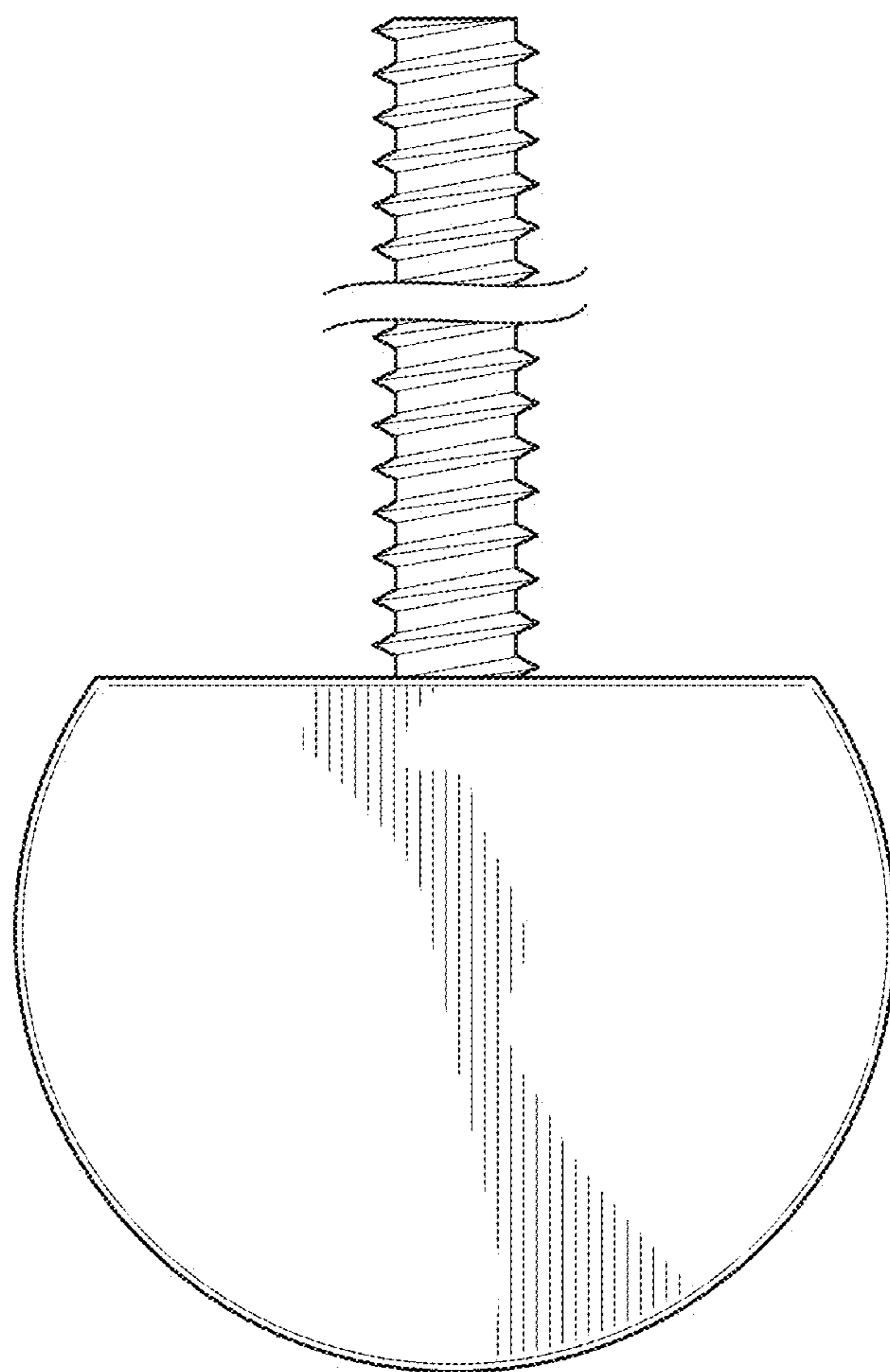


FIG. 7

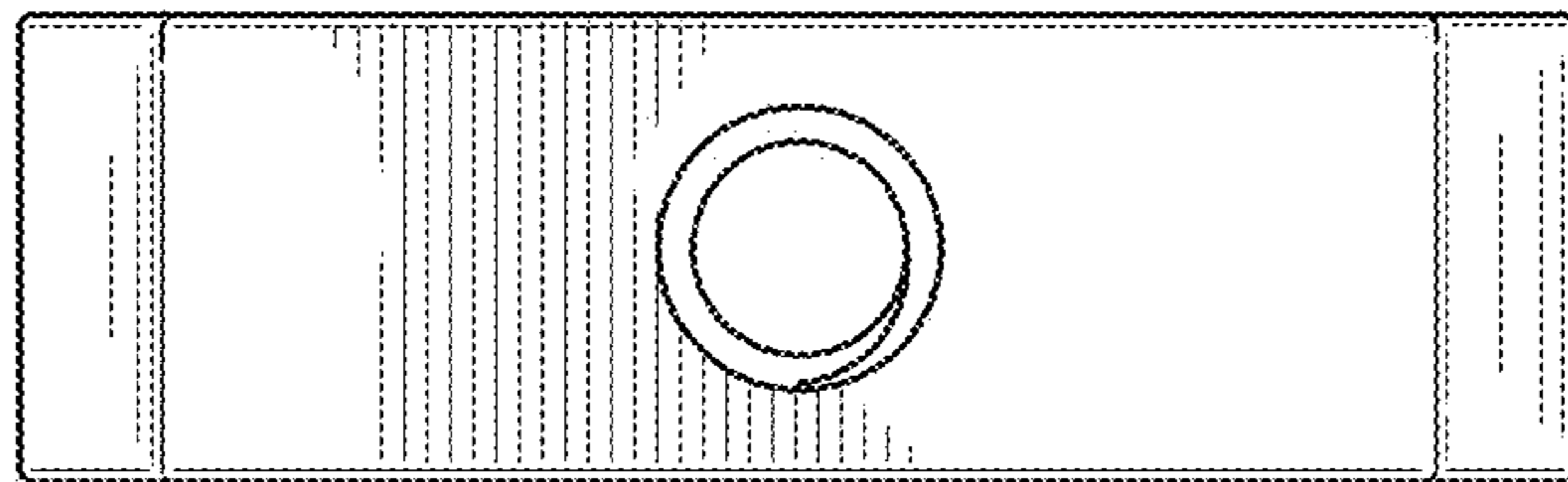


FIG. 8