



US00D709099S

(12) **United States Design Patent**
Finnie

(10) **Patent No.:** **US D709,099 S**

(45) **Date of Patent:** **** Jul. 15, 2014**

(54) **AUTOMOTIVE VALVE COVER**

(71) Applicant: **Mark Finnie**, La Palma, CA (US)

(72) Inventor: **Mark Finnie**, La Palma, CA (US)

(73) Assignee: **Performance Machine LLC**, La Palma, CA (US)

(**) Term: **14 Years**

(21) Appl. No.: **29/445,218**

(22) Filed: **Feb. 8, 2013**

(51) **LOC (10) CI.** **15-01**

(52) **U.S. Cl.**
USPC **D15/5**

(58) **Field of Classification Search**
USPC D15/5, 1; D12/400; 123/635, 195 C,
123/903.38
See application file for complete search history.

(56) **References Cited**

U.S. PATENT DOCUMENTS

D252,878 S * 9/1979 Bellino et al. D15/5
D418,844 S * 1/2000 Occhiuto D15/5

D503,724 S * 4/2005 Grant D15/5
D580,954 S * 11/2008 Platt D15/5
D653,676 S * 2/2012 Tomlinson et al. D15/5
D657,798 S * 4/2012 Platt et al. D15/5
D670,360 S * 11/2012 Platt D23/249

* cited by examiner

Primary Examiner — T. Chase Nelson

Assistant Examiner — Ania Aman

(74) *Attorney, Agent, or Firm* — David Pressman

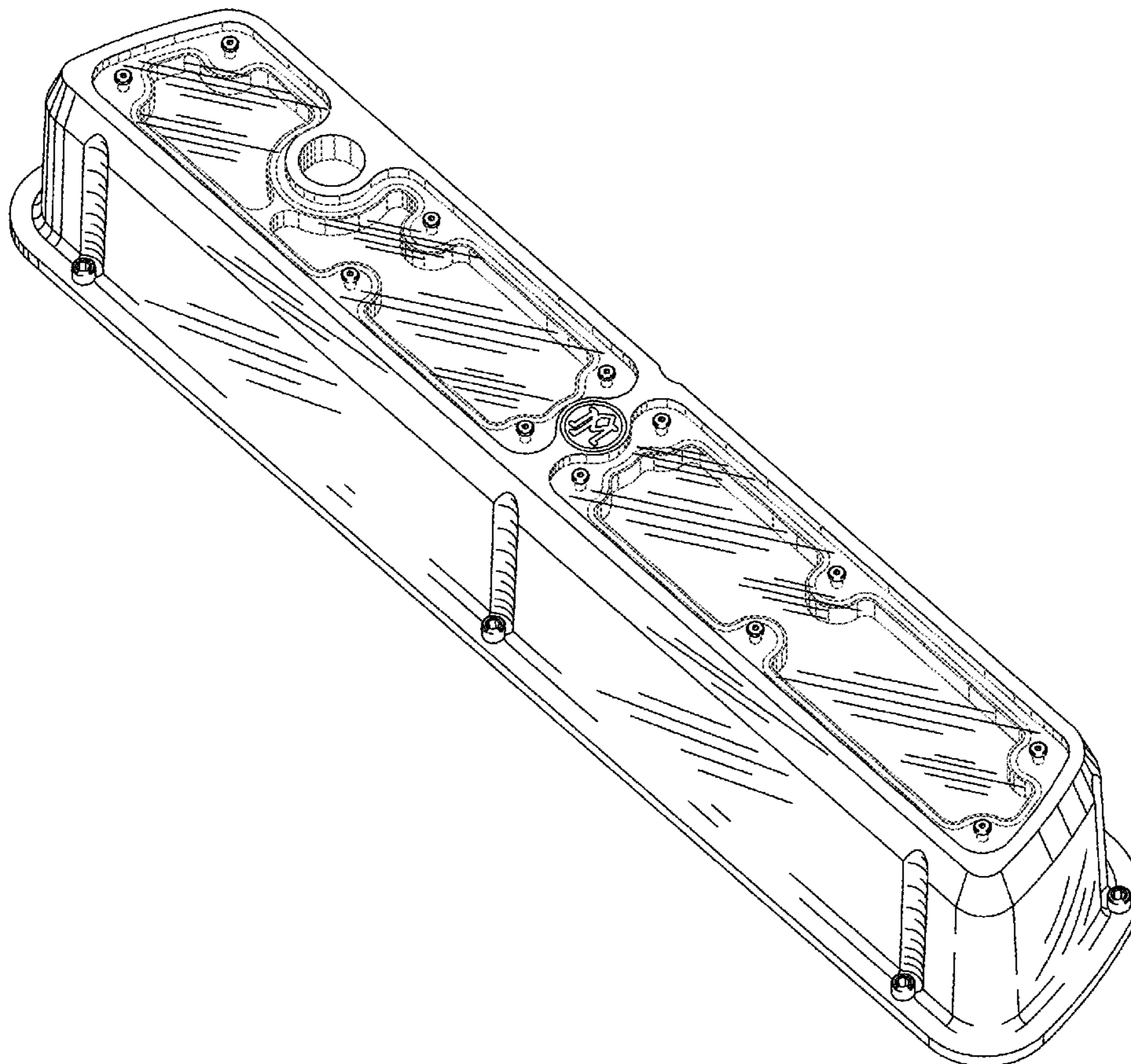
(57) **CLAIM**

The ornamental design for an automotive valve cover, as shown and described.

DESCRIPTION

FIG. 1 is a isometric view of my automotive valve cover taken from the above at a angle between one side and one end.
FIG. 2 is a left side elevational view thereof.
FIG. 3 is a top plan view thereof.
FIG. 4 is a right side elevational view thereof.
FIG. 5 is a rear elevational view thereof; and,
FIG. 6 is a front elevational view thereof.

1 Claim, 3 Drawing Sheets



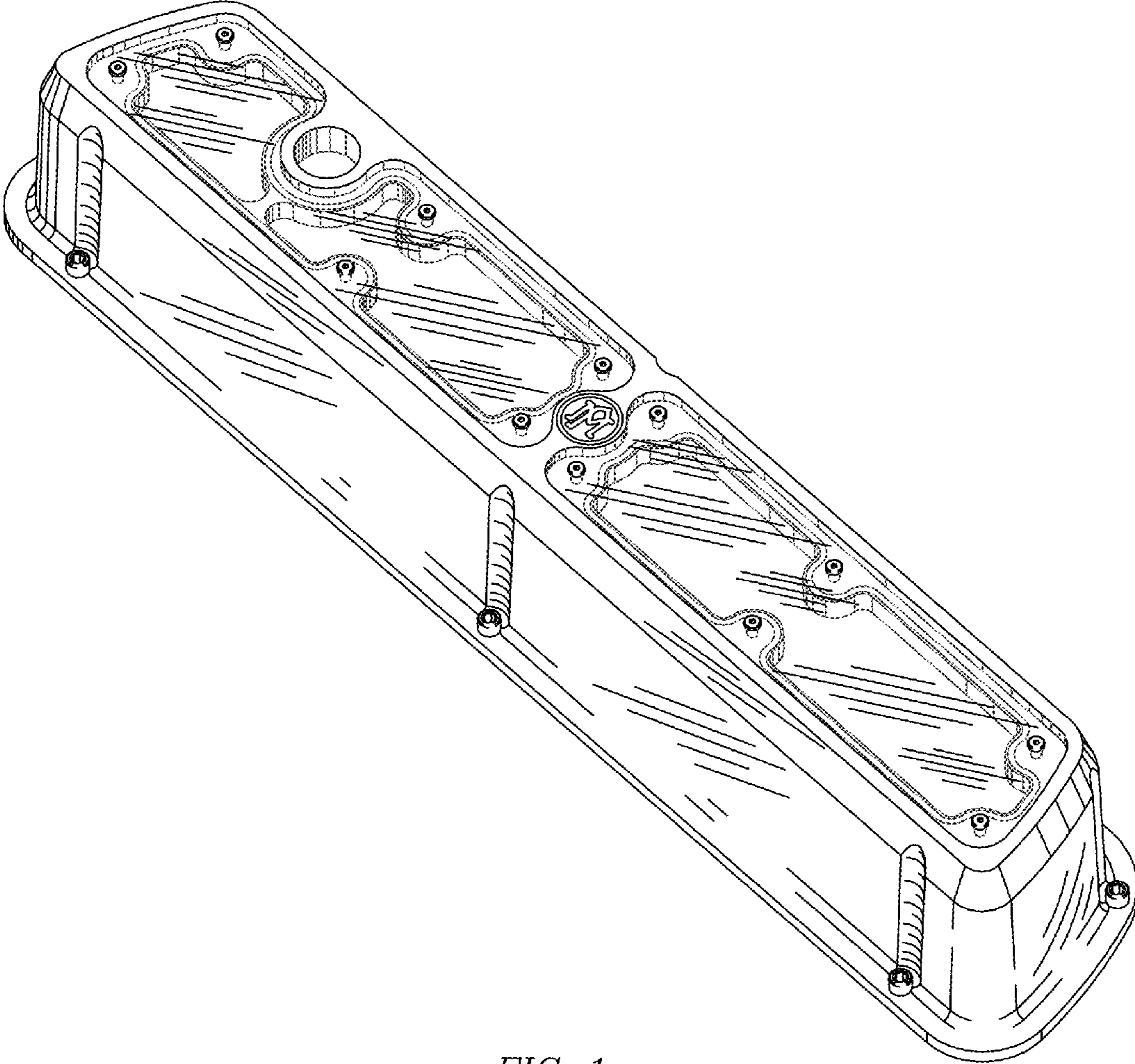


FIG 1

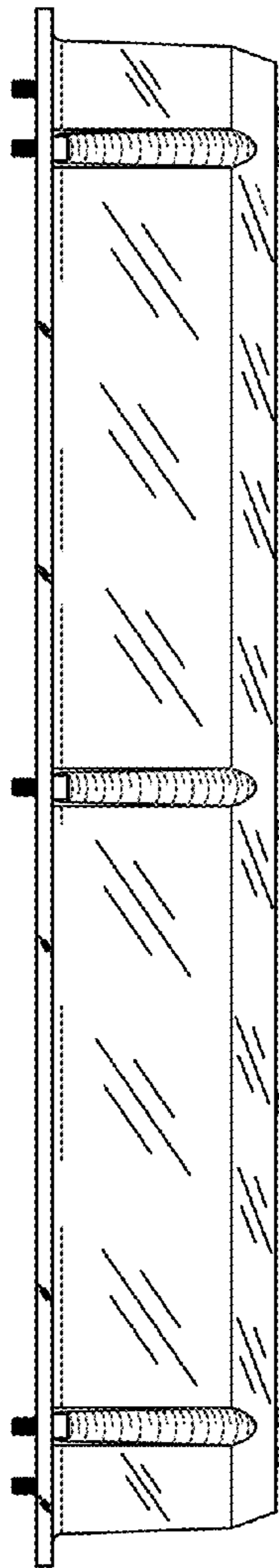


FIG 2

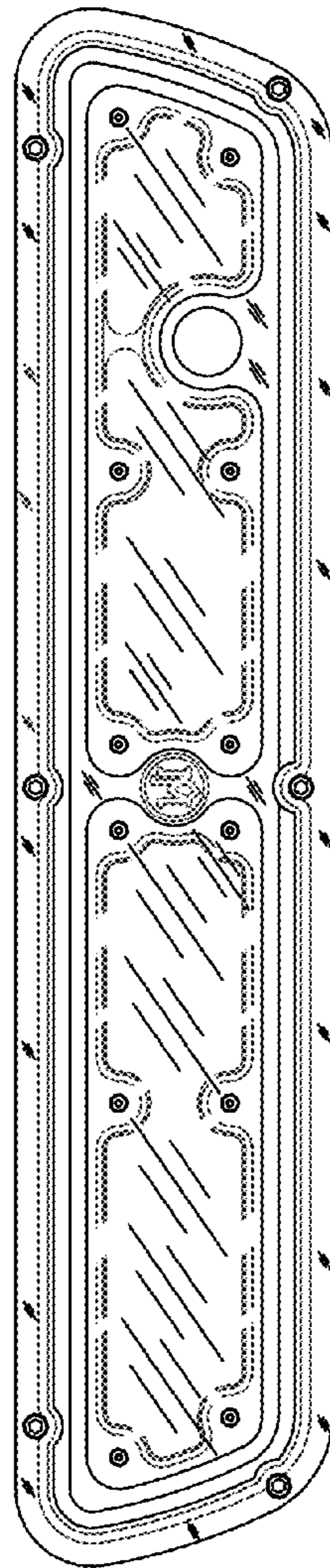


FIG 3

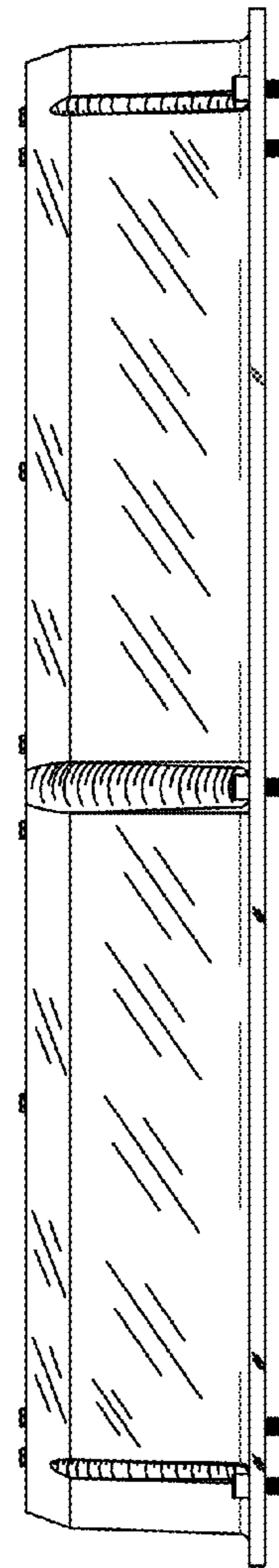


FIG 4

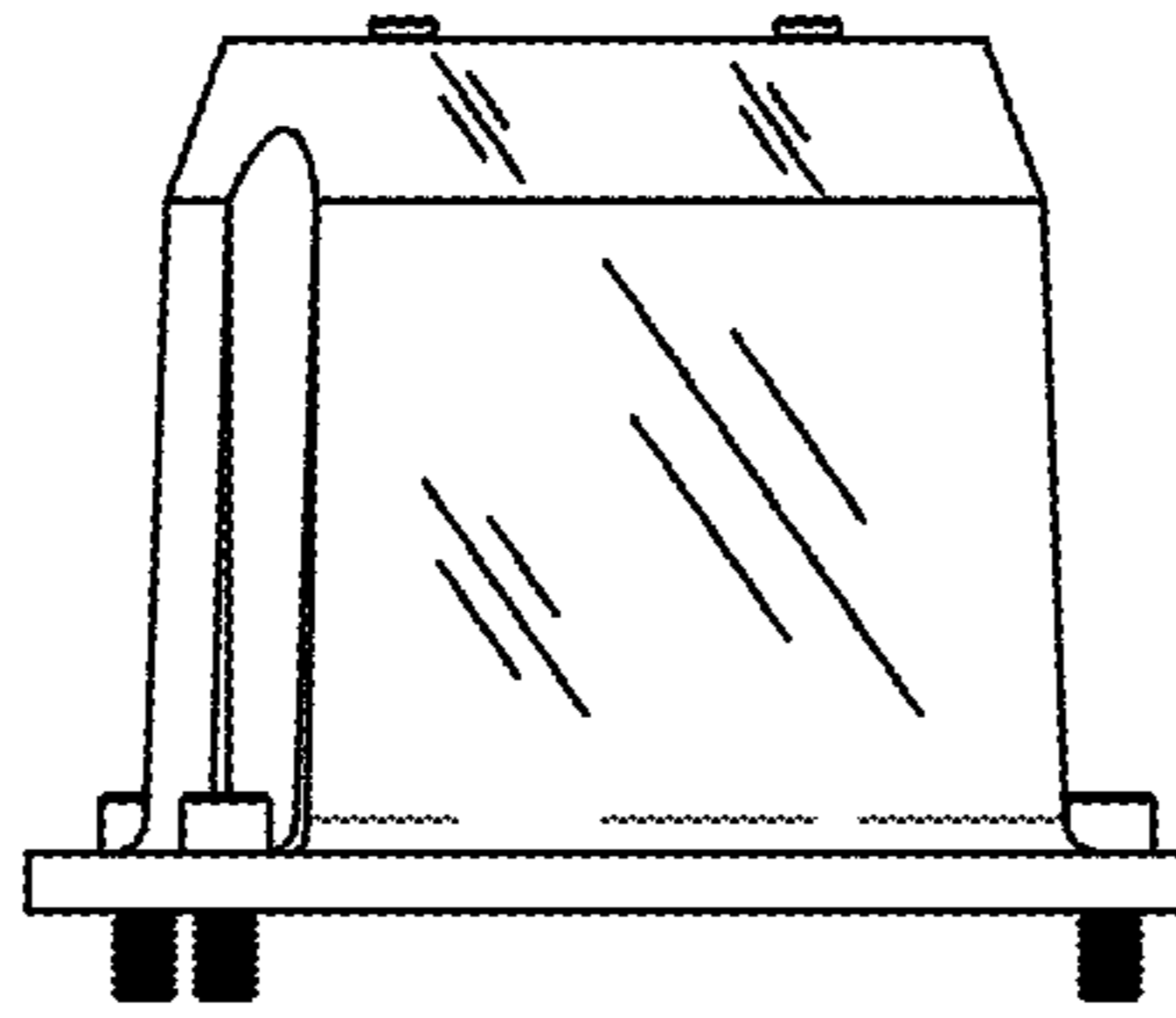


FIG 5

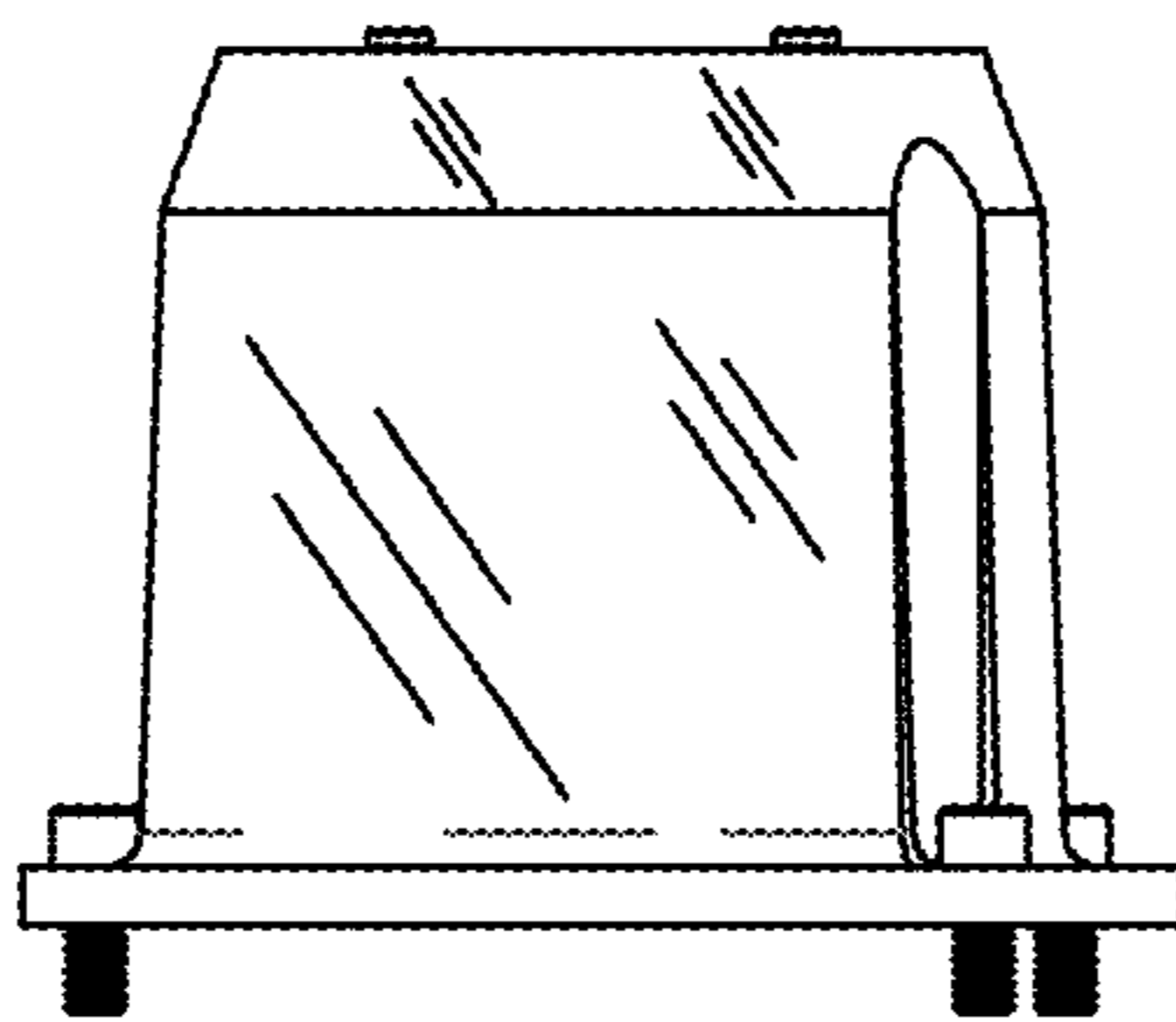


FIG 6