



US00D709096S

(12) **United States Design Patent**
Matas et al.

(10) **Patent No.:** **US D709,096 S**
(45) **Date of Patent:** **** Jul. 15, 2014**

(54) **DISPLAY SCREEN OR PORTION THEREOF WITH GRAPHICAL USER INTERFACE**

(75) Inventors: **Mike Matas**, San Francisco, CA (US);
Imran Chaudhri, San Francisco, CA (US)

(73) Assignee: **Apple Inc.**, Cupertino, CA (US)

(**) Term: **14 Years**

(21) Appl. No.: **29/430,275**

(22) Filed: **Aug. 23, 2012**

Related U.S. Application Data

(60) Continuation of application No. 29/405,806, filed on Nov. 7, 2011, now Pat. No. Des. 686,239, which is a division of application No. 29/367,102, filed on Aug. 3, 2010, now Pat. No. Des. 648,741, which is a division of application No. 29/345,135, filed on Oct. 9, 2009, now Pat. No. Des. 624,090, which is a division of application No. 29/284,264, filed on Sep. 4, 2007, now Pat. No. Des. 612,398.

(51) **LOC (10) Cl.** **14-04**

(52) **U.S. Cl.**
USPC **D14/492**

(58) **Field of Classification Search**
USPC D14/485-95; D18/24-33; D19/6, 52; D20/11; D21/324-33; 715/700-867, 715/973-77; D13/103; 429/96-100, 429/163-65

See application file for complete search history.

(56) **References Cited**

U.S. PATENT DOCUMENTS

4,806,440 A * 2/1989 Hahs et al. 429/100
5,745,116 A 4/1998 Pisutha-Arnond
5,896,133 A * 4/1999 Lynch et al. 715/784
5,903,254 A * 5/1999 Mundt et al. 715/846
6,531,244 B1 * 3/2003 Ryan et al. 429/100

D479,705 S * 9/2003 Hirokawa D13/103
6,781,575 B1 * 8/2004 Hawkins et al. 345/173
D529,510 S * 10/2006 Cummins et al. D14/489
D533,872 S * 12/2006 Ligameri et al. D14/492
D551,616 S * 9/2007 Shimizu D13/103
D552,118 S 10/2007 Jung et al.

(Continued)

FOREIGN PATENT DOCUMENTS

KR 30-437515 1/2007

OTHER PUBLICATIONS

Hagen, Robert, Meizu M8 lijkt sprekend op iPhone, <http://gadgetzone.nl/nieuws.php?id=3296>, Jan. 29, 2007, 7 pages.

(Continued)

Primary Examiner — Melanie H Tung

(74) *Attorney, Agent, or Firm* — Sterne, Kessler, Goldstein & Fox P.L.L.C.

(57) **CLAIM**

The ornamental design for a display screen or portion thereof with graphical user interface, as shown and described.

DESCRIPTION

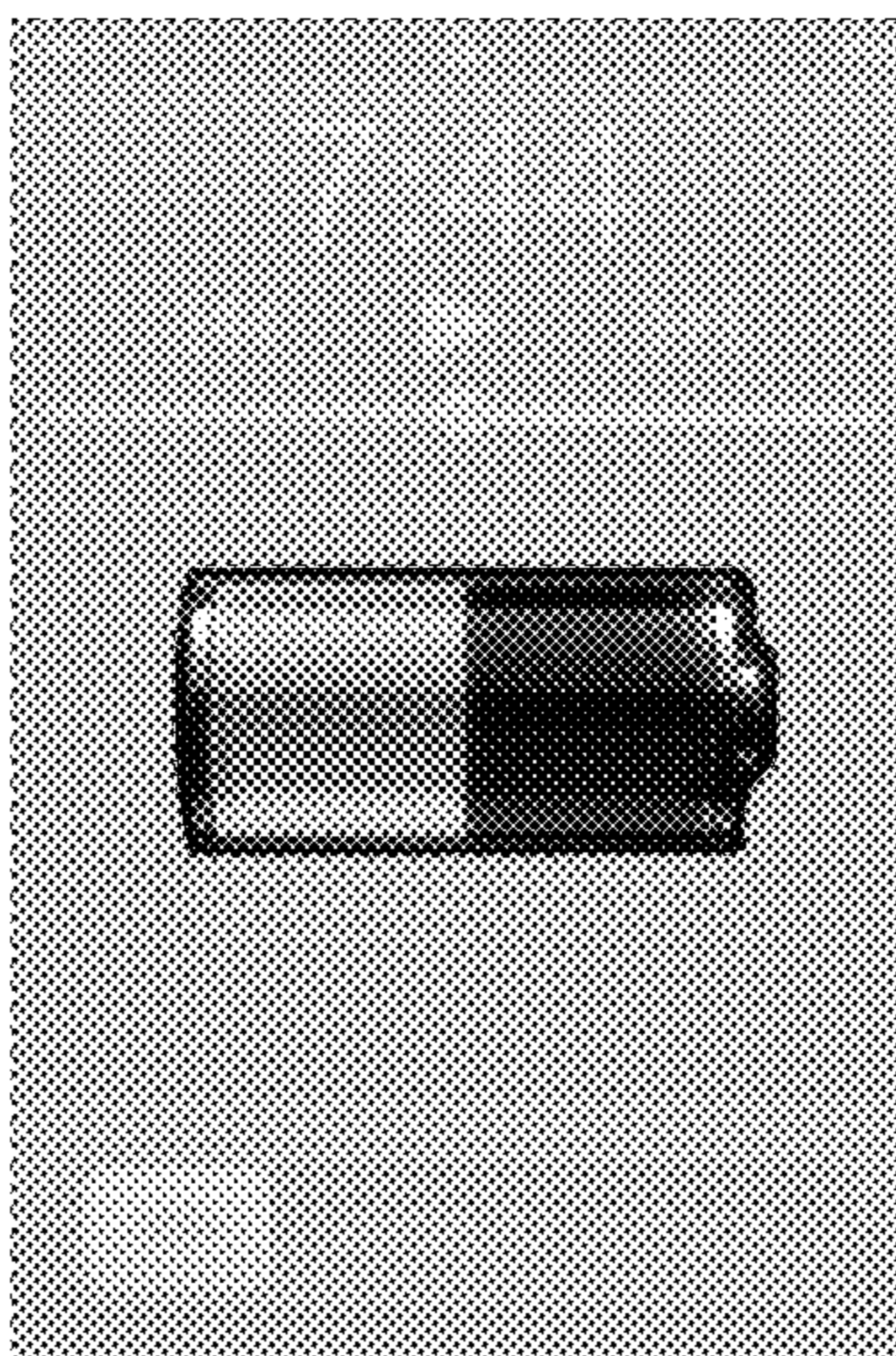
The patent file contains at least one drawing executed in color. Copies of this patent with a color drawing will be provided by the Office upon request and payment of the necessary fee.

FIG. 1 is a front view of a display screen or portion thereof with graphical user interface; and,

FIG. 2 is a second embodiment thereof.

The dashed broken line around the Figure showing a display screen or portion thereof forms no part of the claimed design. The dot-dashed broken line within the Figure, and the area between the dot-dashed broken line and the dashed broken line show environment that forms no part of the claimed design.

1 Claim, 2 Drawing Sheets
(1 of 2 Drawing Sheet(s) Filed in Color)



(56)

References Cited

U.S. PATENT DOCUMENTS

D604,305 S 11/2009 Anzures et al.
D607,402 S * 1/2010 Himeda D13/103
D649,557 S * 11/2011 Duchene D14/488
8,207,832 B2 * 6/2012 Yun et al. 340/407.2
8,209,634 B2 * 6/2012 Klassen et al. 715/859
D682,876 S * 5/2013 MacNeil D14/488
2005/0050474 A1 3/2005 Bells et al.
2007/0035513 A1 2/2007 Sherrard et al.
2007/0067738 A1 3/2007 Flynt et al.

OTHER PUBLICATIONS

Openmoko + Fic Neo1973 : Open Source Smartphone, <http://technabob.com/blog/2007/01/14/openmoko-fic-neo1973-open-source-smartphone/comment-page-1/>, Jan. 14, 2007, 4 pages.
El Khoury, Rita, Splus iTheme = iPhone interface on your phone for 9.99\$, <http://dotsix.blogspot.com/2007/06/splus-itheme-iphone-interface-on-your.html>, Jun. 12, 2007, 8 pages.

* cited by examiner

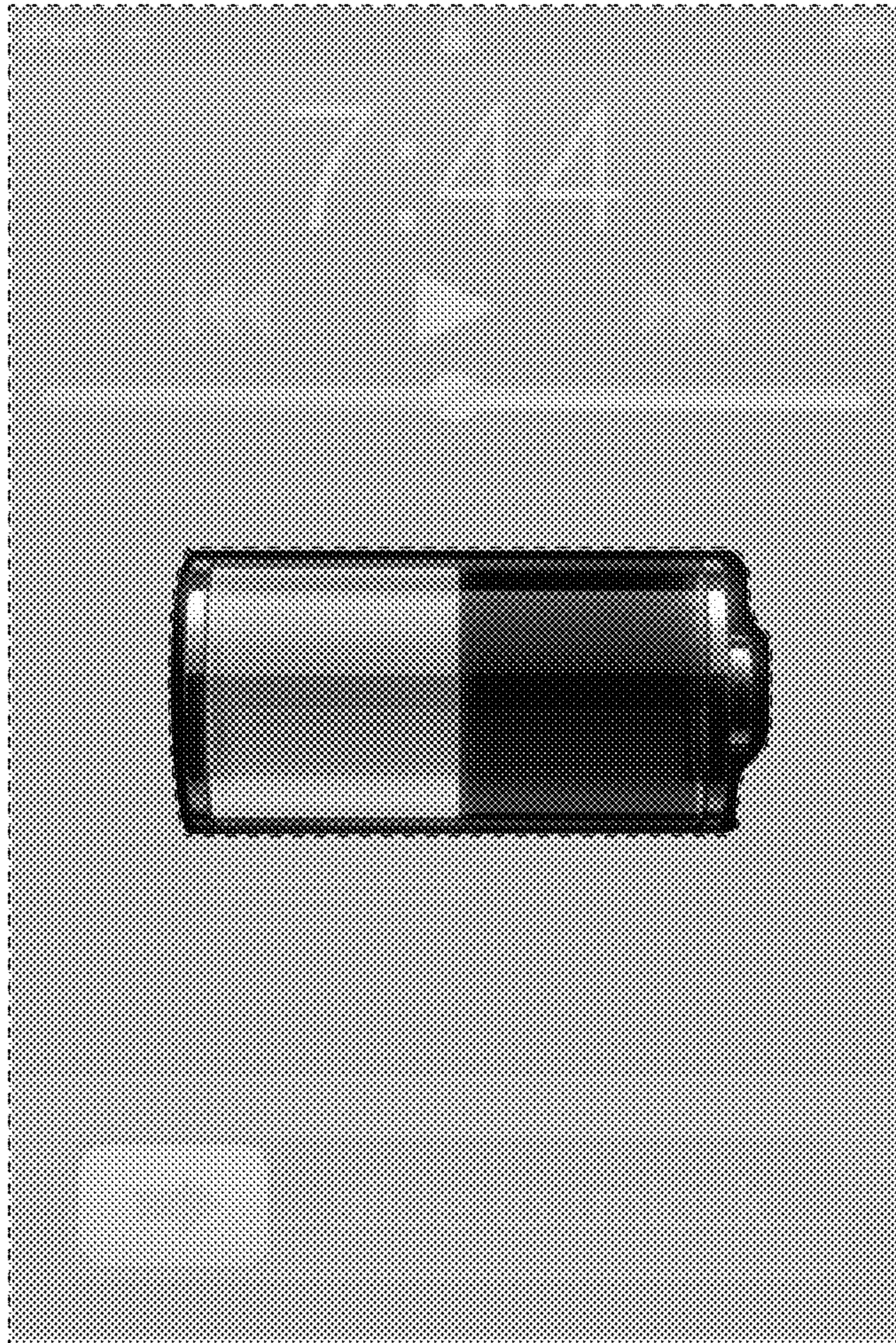


FIG.1

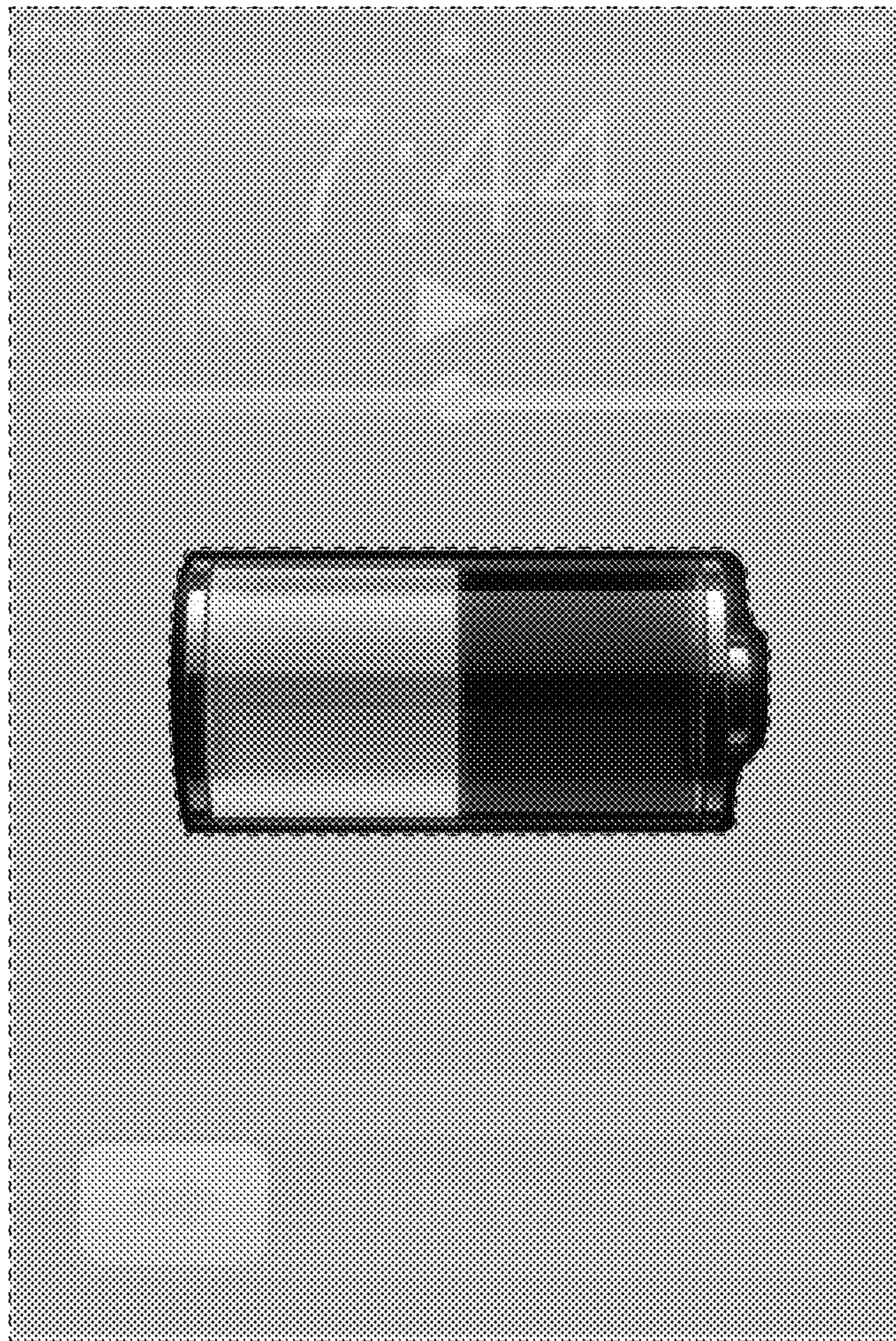


FIG.2

UNITED STATES PATENT AND TRADEMARK OFFICE
CERTIFICATE OF CORRECTION

PATENT NO. : D709,096 S
APPLICATION NO. : 29/430275
DATED : July 15, 2014
INVENTOR(S) : Matas et al.

Page 1 of 1

It is certified that error appears in the above-identified patent and that said Letters Patent is hereby corrected as shown below:

Title page, "DESCRIPTION" section:

Line 3, change "ind" to --and--;
Line 7, change "Figure" to --Figures--; and
Line 9, change "Figure" to --Figures--.

Signed and Sealed this
Thirtieth Day of September, 2014



Michelle K. Lee
Deputy Director of the United States Patent and Trademark Office