



US00D709086S

(12) **United States Design Patent**  
**Baumann**

(10) **Patent No.:** **US D709,086 S**  
(45) **Date of Patent:** **\*\* Jul. 15, 2014**

(54) **DISPLAY SCREEN OR PORTION THEREOF WITH ANIMATED GRAPHICAL USER INTERFACE**

(75) Inventor: **Laurent Baumann**, Campbell, CA (US)

(73) Assignee: **Apple Inc.**, Cupertino, CA (US)

(\*\*) Term: **14 Years**

(21) Appl. No.: **29/412,673**

(22) Filed: **Feb. 7, 2012**

(51) **LOC (10) CI.** ..... **14-04**

(52) **U.S. CI.**  
USPC ..... **D14/488**

(58) **Field of Classification Search**  
CPC ..... G06F 3/048-3/04897  
USPC ..... D14/485-95; D18/24-33; D19/6, 52;  
D20/11; D21/324-33; 715/700-867,  
715/973-77

See application file for complete search history.

(56) **References Cited**

**U.S. PATENT DOCUMENTS**

D295,631	S	*	5/1988	Wells-Papanek et al.	...	D14/488
D296,218	S	*	6/1988	Wells-Papanek et al.	...	D14/493
5,504,852	A		4/1996	Thompson-Rohrlich		
D393,256	S	*	4/1998	Morioka et al.	.....	D14/493
D393,852	S	*	4/1998	Norton	.....	D14/493
D404,389	S	*	1/1999	Mullin et al.	.....	D14/493
D418,122	S		12/1999	Coleman		
D421,974	S		3/2000	Coleman		
D438,873	S		3/2001	Wang et al.		
D446,790	S		8/2001	Wang et al.		

(Continued)

**FOREIGN PATENT DOCUMENTS**

JP 1279226 8/2006

**OTHER PUBLICATIONS**

Apple Computer, Inc., "Welcome to Tiger," published 2005, 32 pages.

(Continued)

*Primary Examiner* — Melanie H Tung

(74) *Attorney, Agent, or Firm* — Sterne, Kessler, Goldstein & Fox P.L.L.C.

(57) **CLAIM**

The ornamental design for a display screen or portion thereof with animated graphical user interface, as shown and described.

**DESCRIPTION**

The patent or application file contains at least one drawing executed in color. Copies of this patent or patent application publication with color drawing(s) will be provided by the Office upon request and payment of the necessary fee.

FIG. 1 is a front view of a display screen or portion thereof with animated graphical user interface showing a first image in the sequence showing my new design;

FIG. 2 is a front view of a second image thereof;

FIG. 3 is a front view of a third image thereof;

FIG. 4 is a front view of a fourth image thereof;

FIG. 5 is a front view of a second embodiment of a display screen or portion thereof with animated graphical user interface showing a first image in the sequence showing my new design;

FIG. 6 is a front view of a second image thereof;

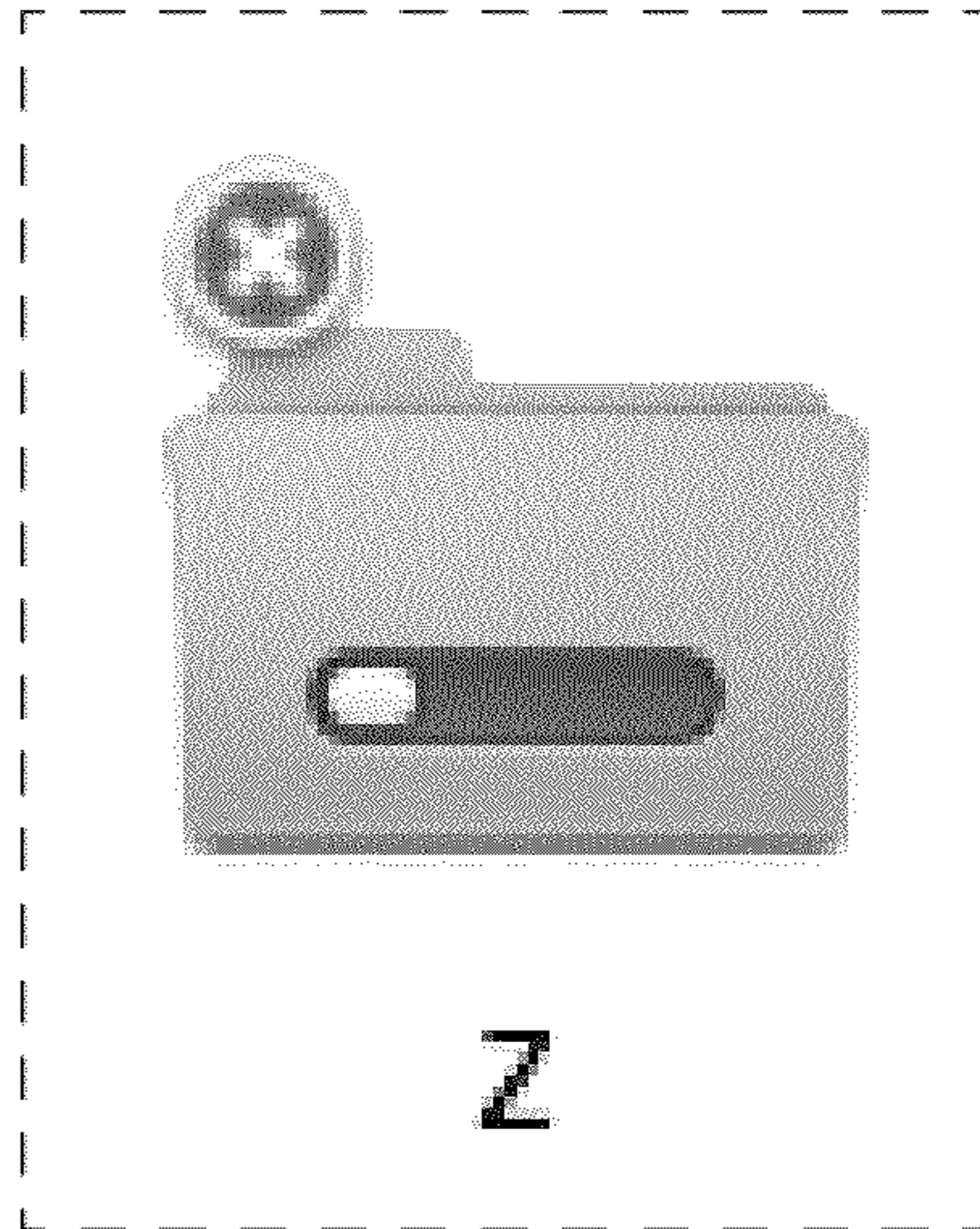
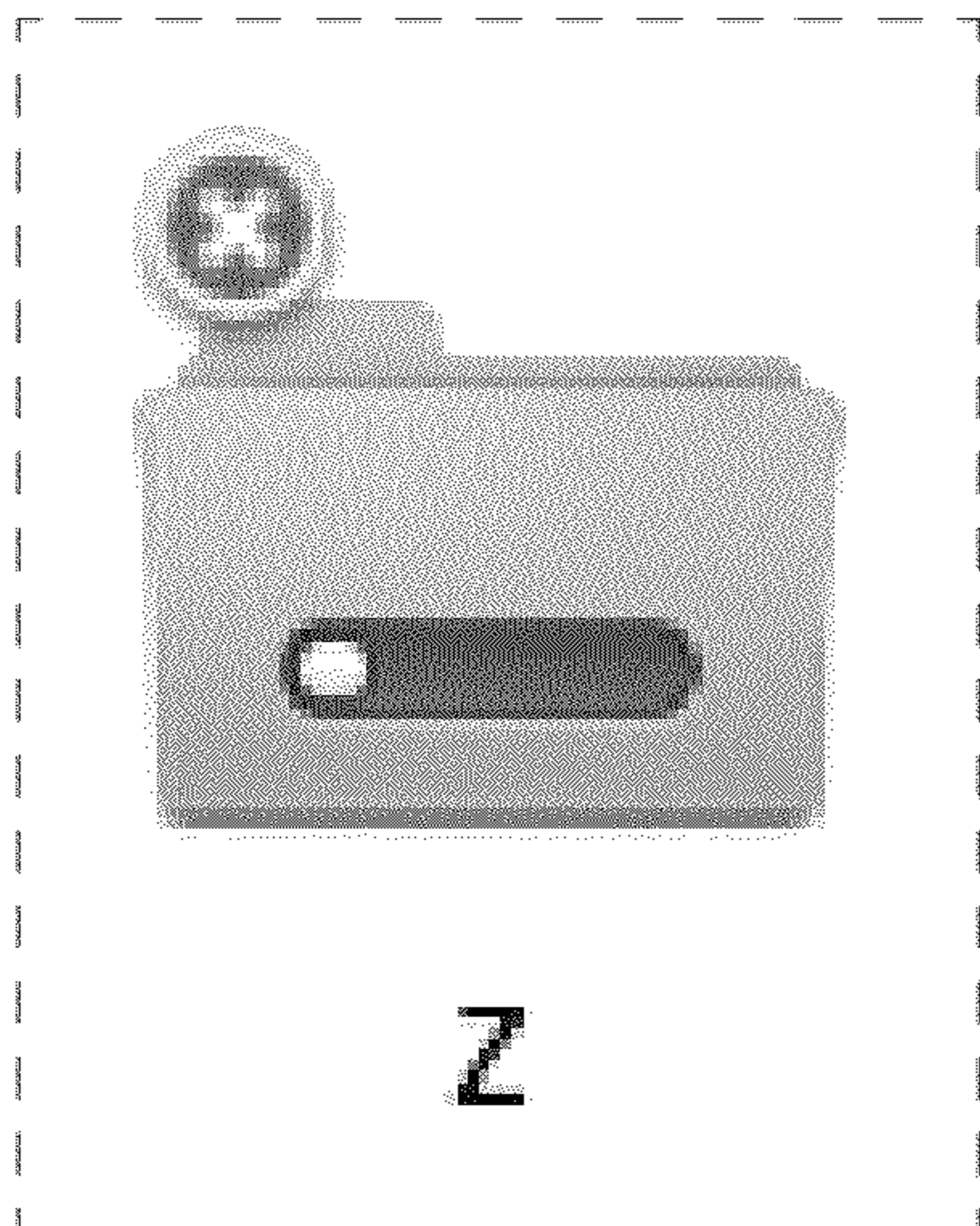
FIG. 7 is a front view of a third image thereof; and,

FIG. 8 is a front view of a fourth image thereof.

The broken lines around the Figures showing a display screen or portion thereof form no part of the claimed design.

The appearance of the animated images sequentially transitions between the images shown in FIGS. 1-4 and 5-8. The process or period in which one image transitions to another forms no part of the claimed design.

**1 Claim, 2 Drawing Sheets**  
**(1 of 2 Drawing Sheet(s) Filed in Color)**



(56)

References Cited

U.S. PATENT DOCUMENTS

D454,574 S 3/2002 Wasko et al.  
 D471,916 S 3/2003 Chaudhri et al.  
 D503,720 S 4/2005 Wasko et al.  
 6,883,145 B2 \* 4/2005 Jaeger ..... 715/767  
 D508,699 S \* 8/2005 Hone et al. .... D14/489  
 D511,170 S \* 11/2005 Totten et al. .... D14/493  
 D511,171 S \* 11/2005 Totten et al. .... D14/493  
 D529,508 S \* 10/2006 Gusmorino et al. .... D14/485  
 D536,701 S \* 2/2007 Gusmorino et al. .... D14/492  
 D537,836 S \* 3/2007 Gusmorino et al. .... D14/492  
 D540,813 S \* 4/2007 Gusmorino et al. .... D14/492  
 D549,236 S \* 8/2007 O'Donnell et al. .... D14/493  
 D553,149 S \* 10/2007 Vieggers ..... D14/492  
 D555,165 S \* 11/2007 Myers et al. .... D14/487  
 D563,965 S \* 3/2008 Van Dongen et al. .... D14/485  
 D590,417 S \* 4/2009 Barcheck et al. .... D14/493  
 D594,465 S 6/2009 Hong et al.  
 D597,555 S \* 8/2009 Ozzie et al. .... D14/493  
 D605,659 S \* 12/2009 Kaczmarek ..... D14/493  
 D607,888 S 1/2010 Ahn  
 D607,896 S \* 1/2010 Pieratt et al. .... D14/489  
 7,685,530 B2 3/2010 Sherrard et al.  
 D613,756 S \* 4/2010 Moreau et al. .... D14/493  
 D615,990 S 5/2010 Chaudhri et al.  
 D617,334 S 6/2010 Chaudhri  
 7,739,617 B2 6/2010 Ording et al.

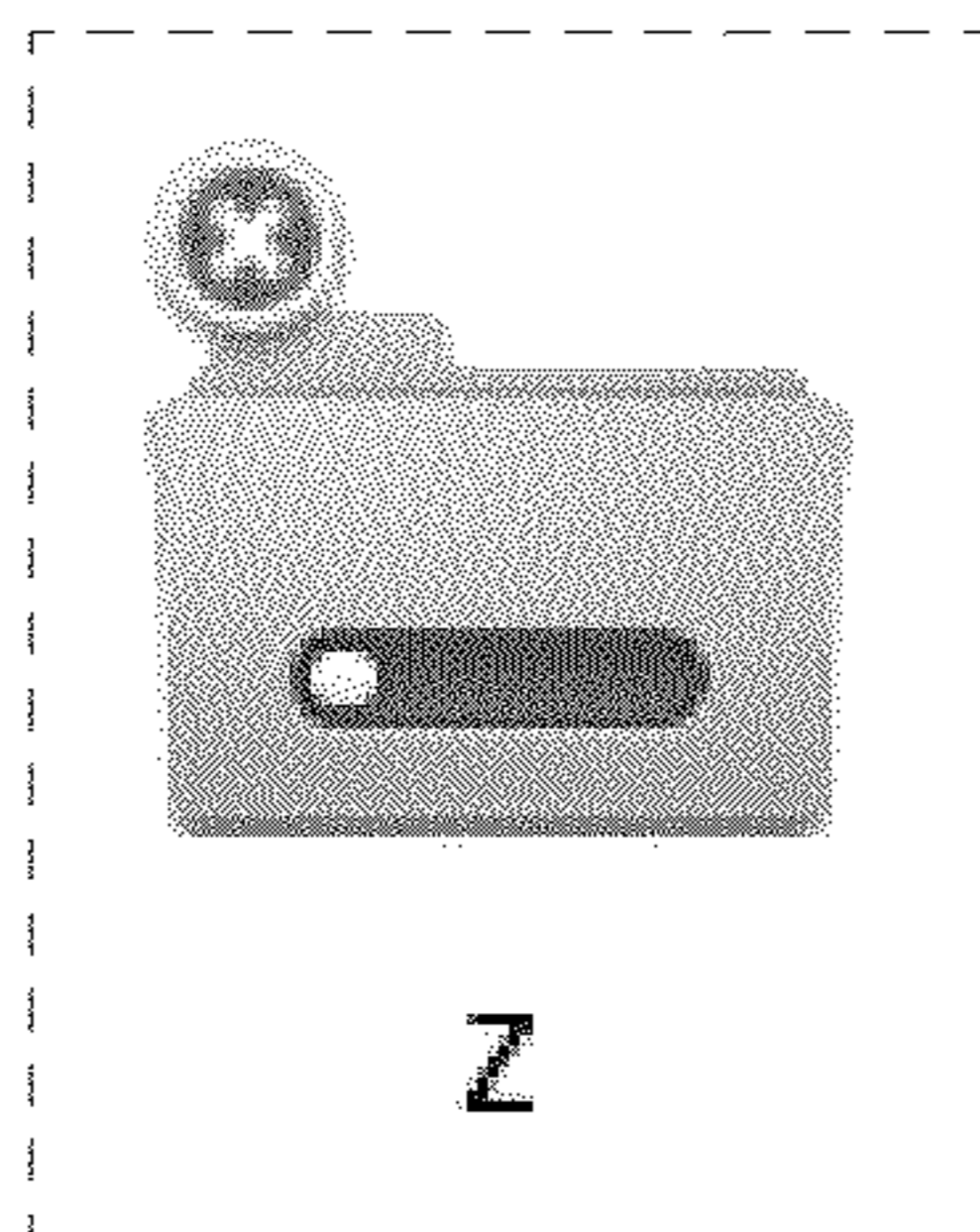
7,861,180 B2 12/2010 Liu et al.  
 7,864,163 B2 1/2011 Ording et al.  
 D642,197 S \* 7/2011 Barcheck et al. .... D14/492  
 D652,050 S 1/2012 Chaudhri  
 8,127,248 B2 2/2012 Ording et al.  
 D668,670 S \* 10/2012 Gupta et al. .... D14/488  
 D677,326 S \* 3/2013 Gleasman et al. .... D18/27  
 D683,759 S \* 6/2013 Ridl et al. .... D14/489  
 D688,693 S \* 8/2013 Anzures ..... D14/489  
 D688,698 S \* 8/2013 Phelan ..... D14/489  
 D694,778 S \* 12/2013 Gyllensward ..... D14/489  
 2006/0101347 A1 5/2006 Runov et al.  
 2007/0174782 A1 \* 7/2007 Russo ..... 715/781  
 2007/0288863 A1 12/2007 Ording et al.  
 2009/0327961 A1 \* 12/2009 De Vorchik et al. .... 715/825  
 2011/0087964 A1 4/2011 Patterson et al.

OTHER PUBLICATIONS

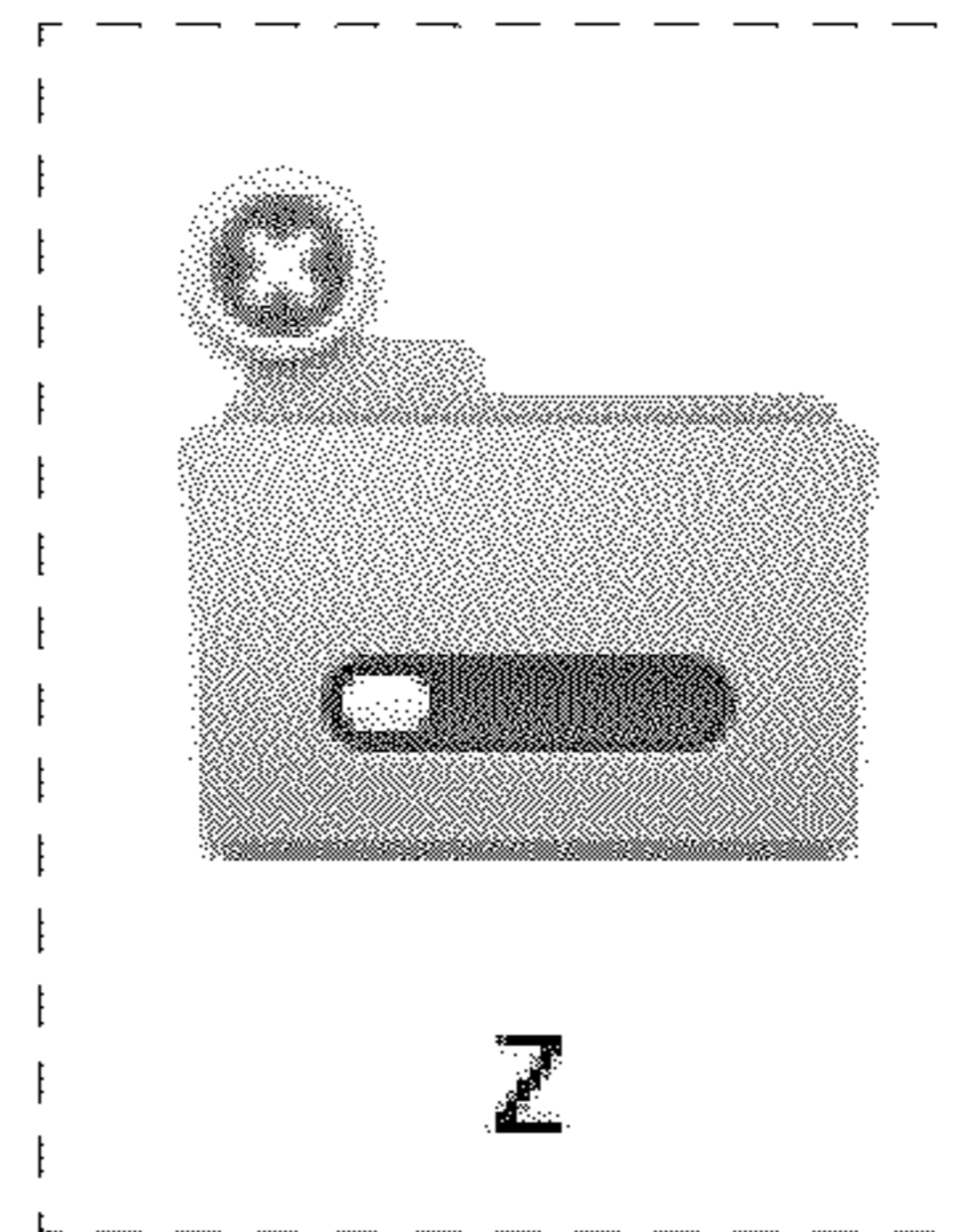
U.S. Appl. No. 29/280,925, filed Jun. 8, 2007, inventors Sepulveda.  
 U.S. Appl. No. 29/281,695, filed Jun. 28, 2007, inventors Anzures et al.  
 U.S. Appl. No. 29/302,019, filed Jan. 8, 2008, inventors Chaudhri et al.  
 U.S. Appl. No. 29/304,584, filed Mar. 4, 2008, inventors Anzures et al.  
 U.S. Appl. No. 29/319,389, filed Jun. 8, 2008, inventors Anzures et al.  
 U.S. Appl. No. 29/387,889, filed Mar. 21, 2011, Laurent Baumann.

\* cited by examiner

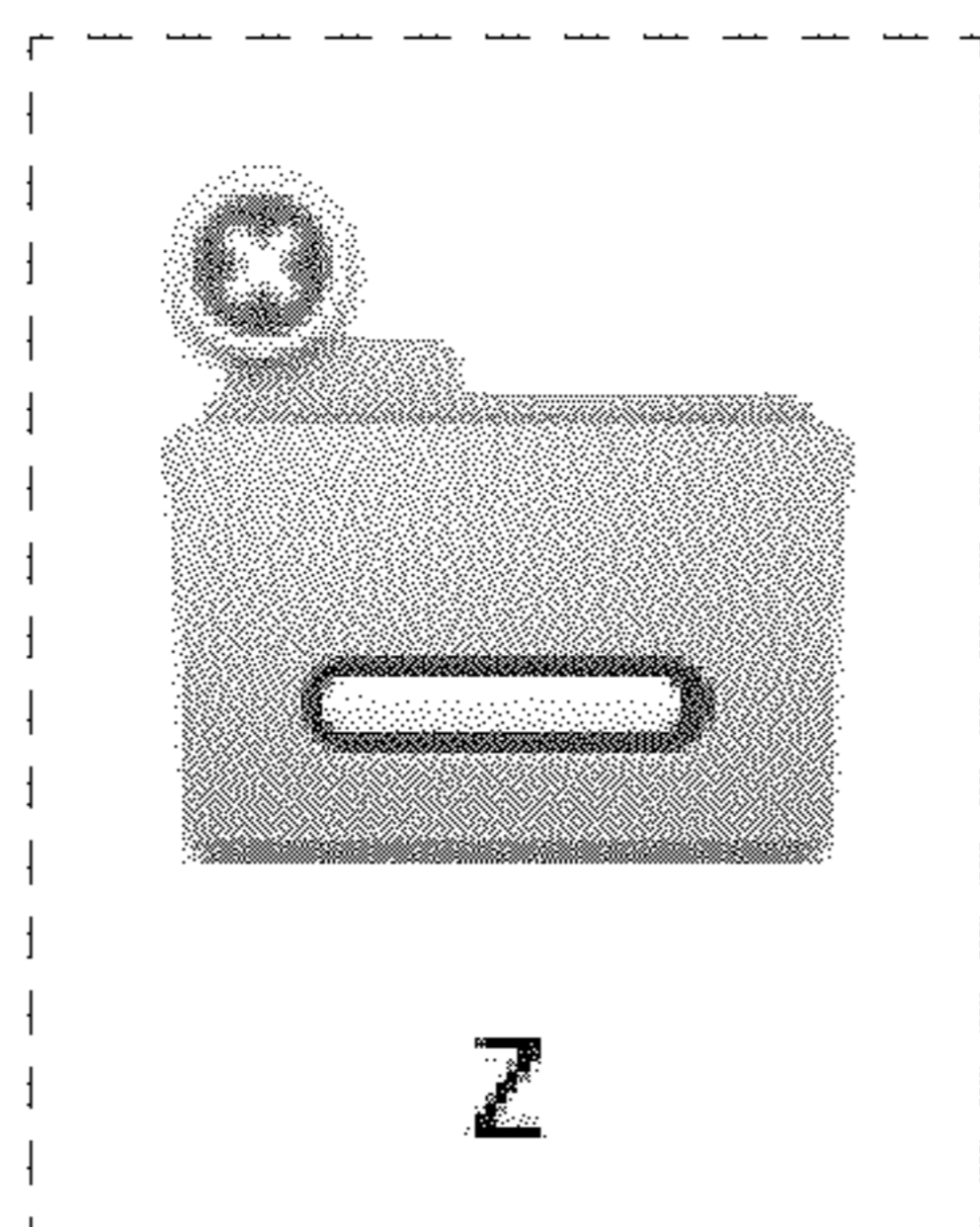




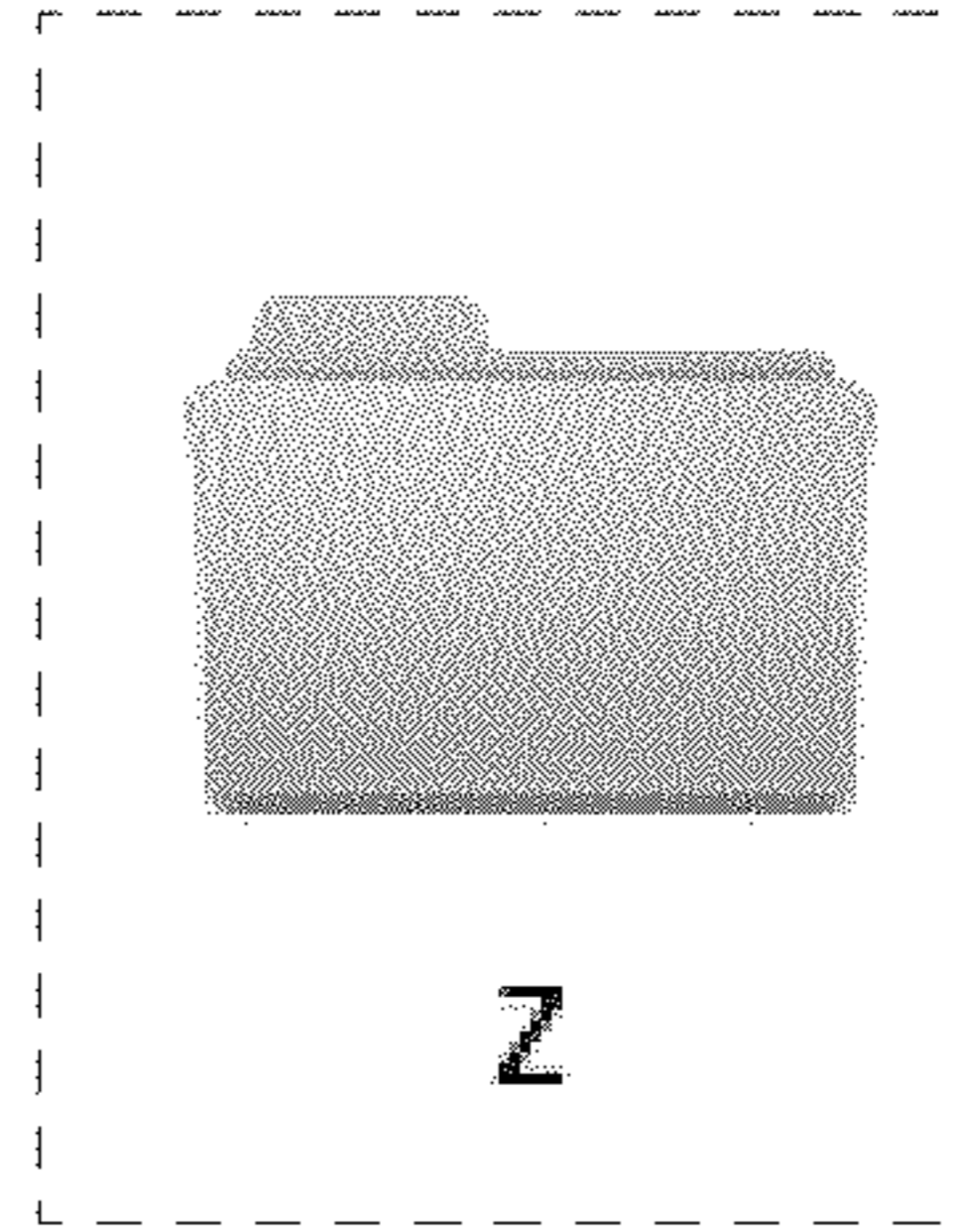
**FIG. 1**



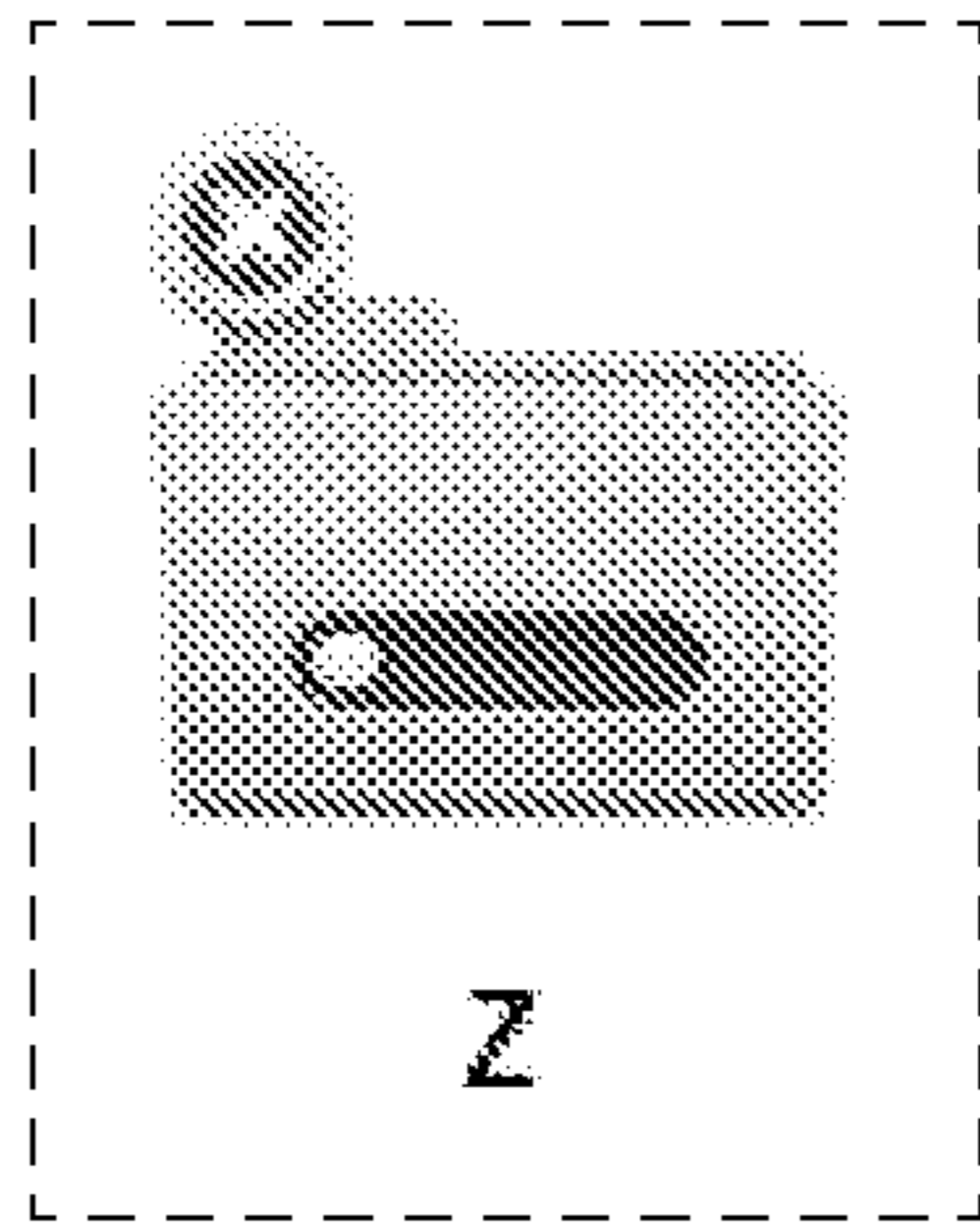
**FIG. 2**



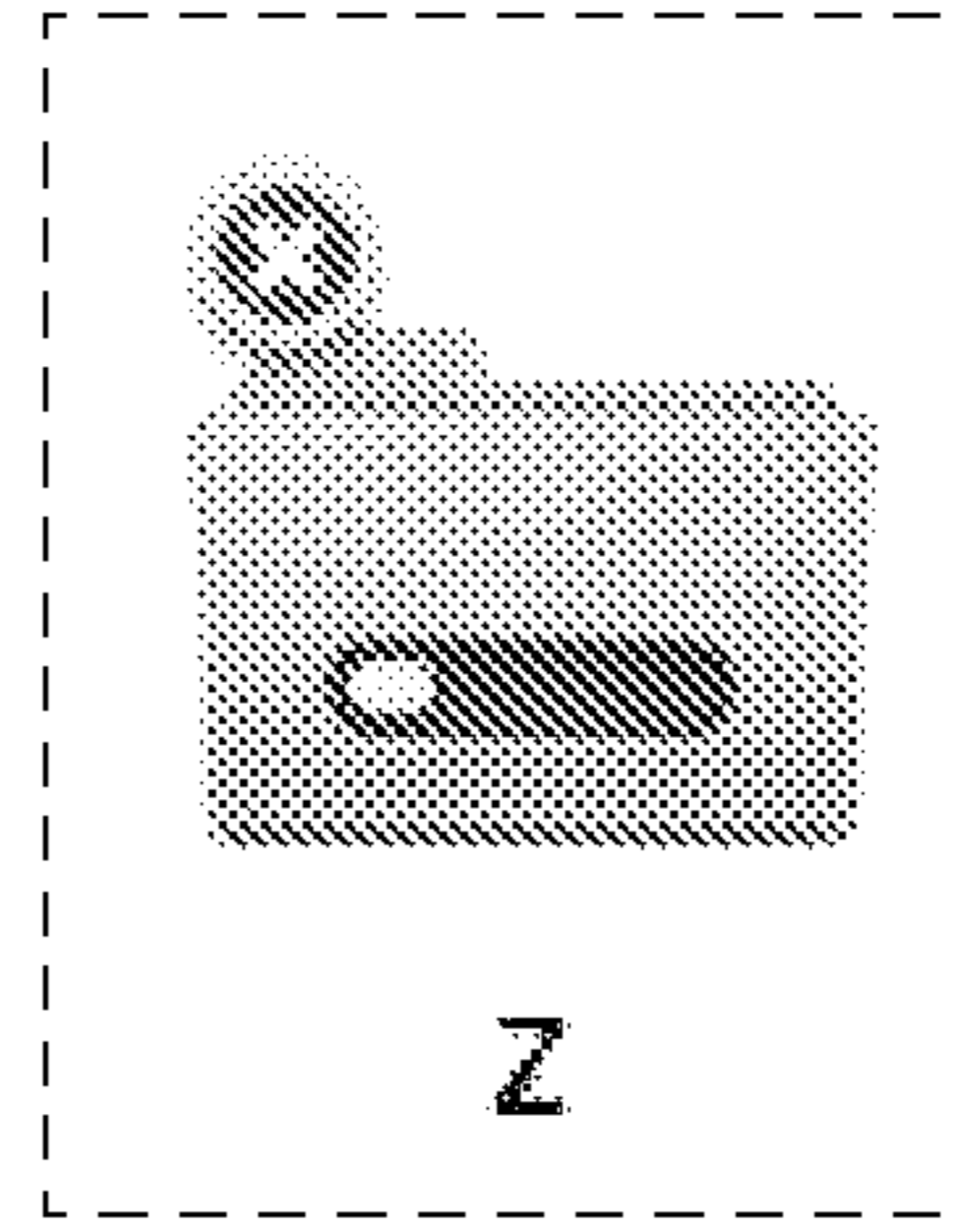
**FIG. 3**



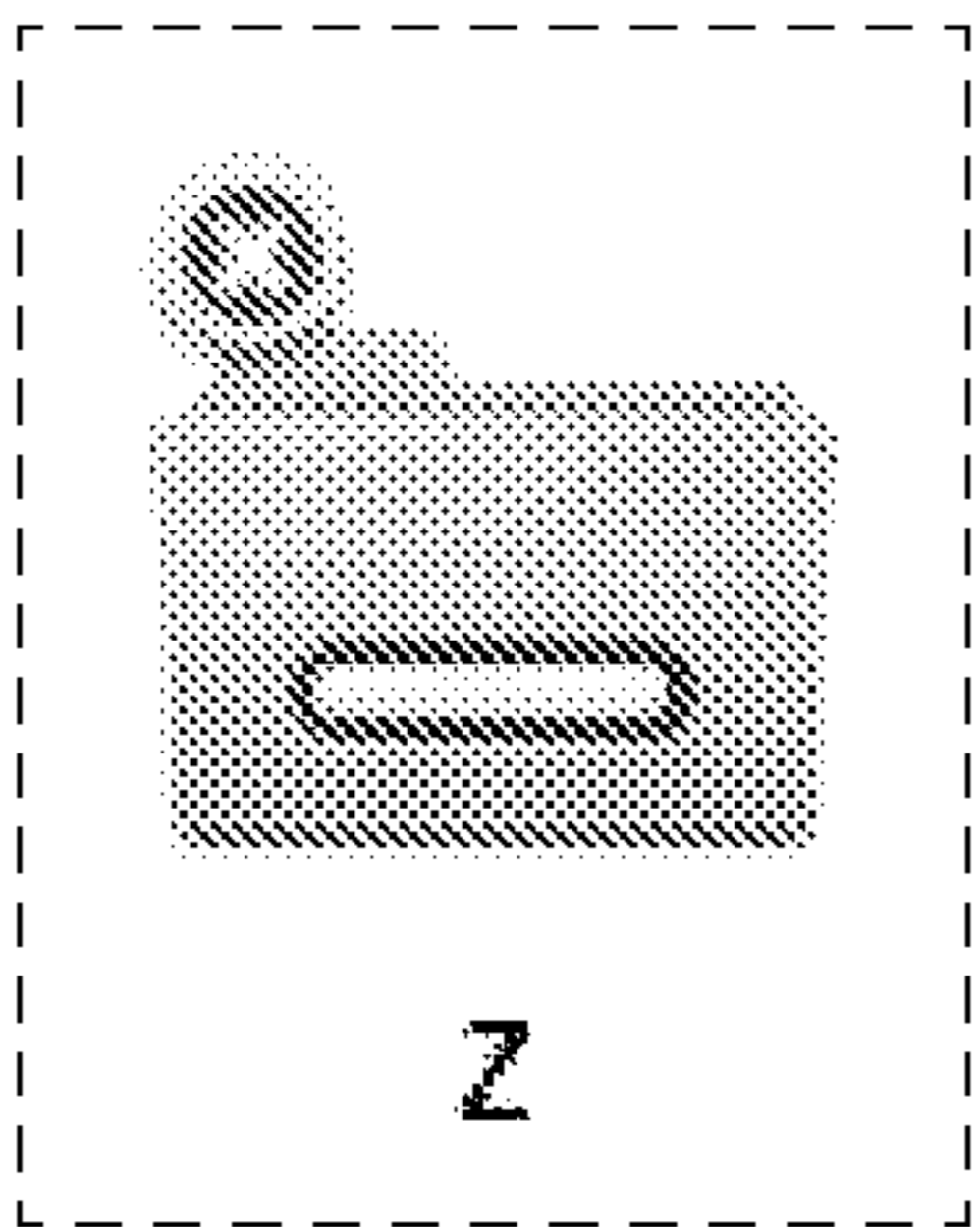
**FIG. 4**



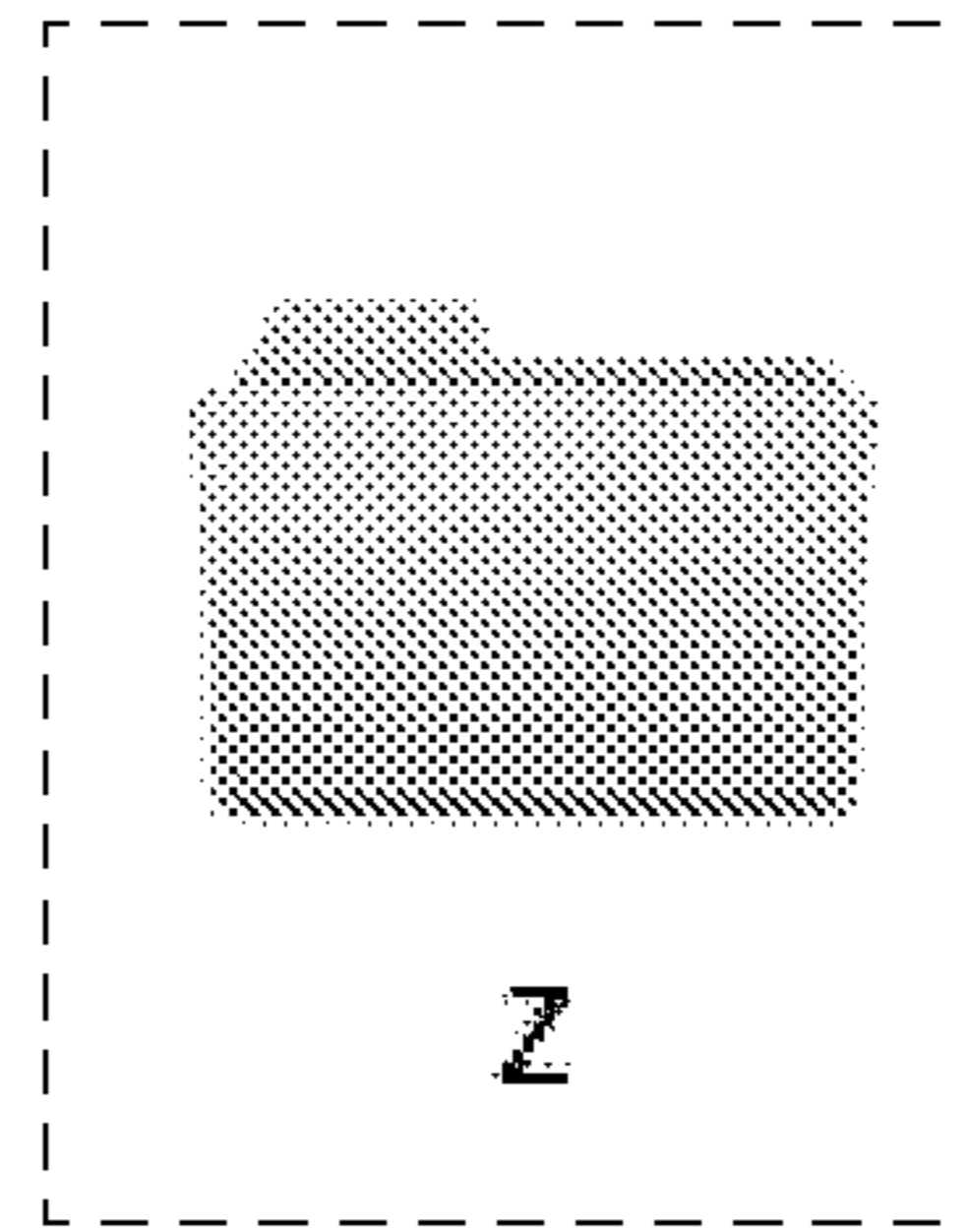
**FIG. 5**



**FIG. 6**



**FIG. 7**



**FIG. 8**