



US00D709084S

(12) **United States Design Patent**  
**Agnew et al.**

(10) **Patent No.:** **US D709,084 S**  
(45) **Date of Patent:** **\*\* Jul. 15, 2014**

(54) **DISPLAY SCREEN WITH GRAPHICAL USER INTERFACE**

(71) Applicant: **NIKE, Inc.**, Beaverton, OR (US)

(72) Inventors: **John Agnew**, Beaverton, OR (US);  
**Hoshi Ludwig**, Brooklyn, NY (US)

(73) Assignee: **NIKE, Inc.**, Beaverton, OR (US)

(\*\*) Term: **14 Years**

(21) Appl. No.: **29/465,706**

(22) Filed: **Aug. 30, 2013**

(51) **LOC (10) Cl.** ..... **14-04**

(52) **U.S. Cl.**  
USPC ..... **D14/486**

(58) **Field of Classification Search**  
USPC ..... D14/489, 491, 492, 493, 250, 485-488;  
715/810, 835, 836, 837, 839, 840, 846,  
715/847; D20/11; D8/489, 487, 485  
See application file for complete search history.

(56) **References Cited**

**U.S. PATENT DOCUMENTS**

D430,885 S	9/2000	Coleman	
6,542,168 B2 *	4/2003	Negishi et al.	715/781
D555,663 S *	11/2007	Nagata et al.	D14/488
7,437,005 B2	10/2008	Drucker et al.	
D580,942 S	11/2008	Oshiro et al.	
7,536,654 B2	5/2009	Anthony et al.	
D598,464 S *	8/2009	Hirsch et al.	D14/485
D599,367 S *	9/2009	Mays et al.	D14/485
D599,368 S	9/2009	Kanga et al.	
D599,370 S	9/2009	Murchie et al.	
D599,806 S	9/2009	Brown et al.	
D603,415 S	11/2009	Lin et al.	
D604,742 S *	11/2009	Nagata et al.	D14/486
D611,053 S	3/2010	Kanga et al.	
D611,486 S *	3/2010	Hirsch et al.	D14/485

D613,755 S	4/2010	Barcheck et al.	
D633,920 S	3/2011	Luke et al.	
D637,606 S *	5/2011	Luke et al.	D14/488
D638,432 S	5/2011	Flik et al.	
D645,872 S	9/2011	Smith	
D663,312 S	7/2012	David et al.	
D663,741 S	7/2012	Cielak et al.	
D667,020 S	9/2012	MacKenzie et al.	
8,281,250 B2 *	10/2012	Carter et al.	715/765
D672,364 S *	12/2012	Reyna et al.	D14/486
D678,897 S	3/2013	Lee et al.	
D681,657 S *	5/2013	Deng	D14/486
D682,301 S	5/2013	DiJulio et al.	
D682,303 S	5/2013	DiJulio et al.	
D682,306 S	5/2013	DiJulio et al.	
D692,450 S *	10/2013	Convay et al.	D14/486
D693,355 S *	11/2013	Rodenhouse et al.	D14/486
D694,770 S *	12/2013	Edwards et al.	D14/485

(Continued)

*Primary Examiner* — Cynthia Underwood

(74) *Attorney, Agent, or Firm* — Banner & Witcoff, Ltd.

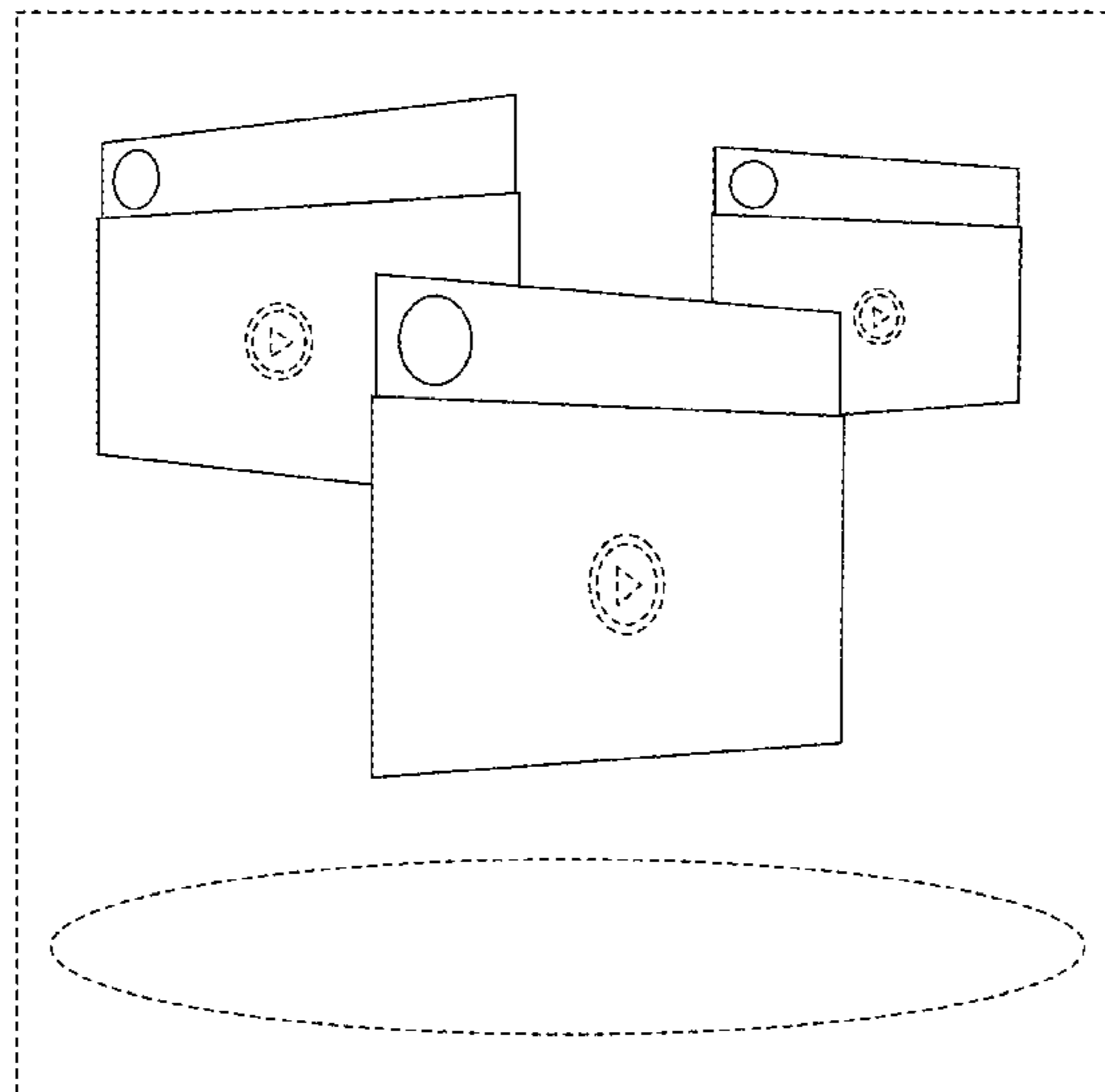
(57) **CLAIM**

The ornamental design for a display screen with graphical user interface, as shown and described.

**DESCRIPTION**

FIG. 1 is a front view of a display screen with graphical user interface showing the new design;  
FIG. 2 is a front view of display screen with graphical user interface of FIG. 1 shown on a device;  
FIG. 3 is a front view of a display screen with graphical user interface showing an alternative embodiment of the new design; and,  
FIG. 4 is a front view of display screen with graphical user interface of FIG. 3 shown on a device.  
The broken line showing of the remainder of the display screen in FIGS. 1-4, and the remainder of the device in FIGS. 2 and 4 is for environmental purposes only and forms no part of the claimed design.

**1 Claim, 4 Drawing Sheets**



(56)

**References Cited**

U.S. PATENT DOCUMENTS

D698,364 S \* 1/2014 Tsuda et al. .... D14/488  
8,648,814 B2 \* 2/2014 Duchene et al. .... 345/173

D701,527 S \* 3/2014 Brinda et al. .... D14/488  
D701,528 S \* 3/2014 Brinda et al. .... D14/488  
2009/0289903 A1 \* 11/2009 Chen et al. .... 345/173  
2012/0042270 A1 \* 2/2012 Pedersen et al. .... 715/767

\* cited by examiner

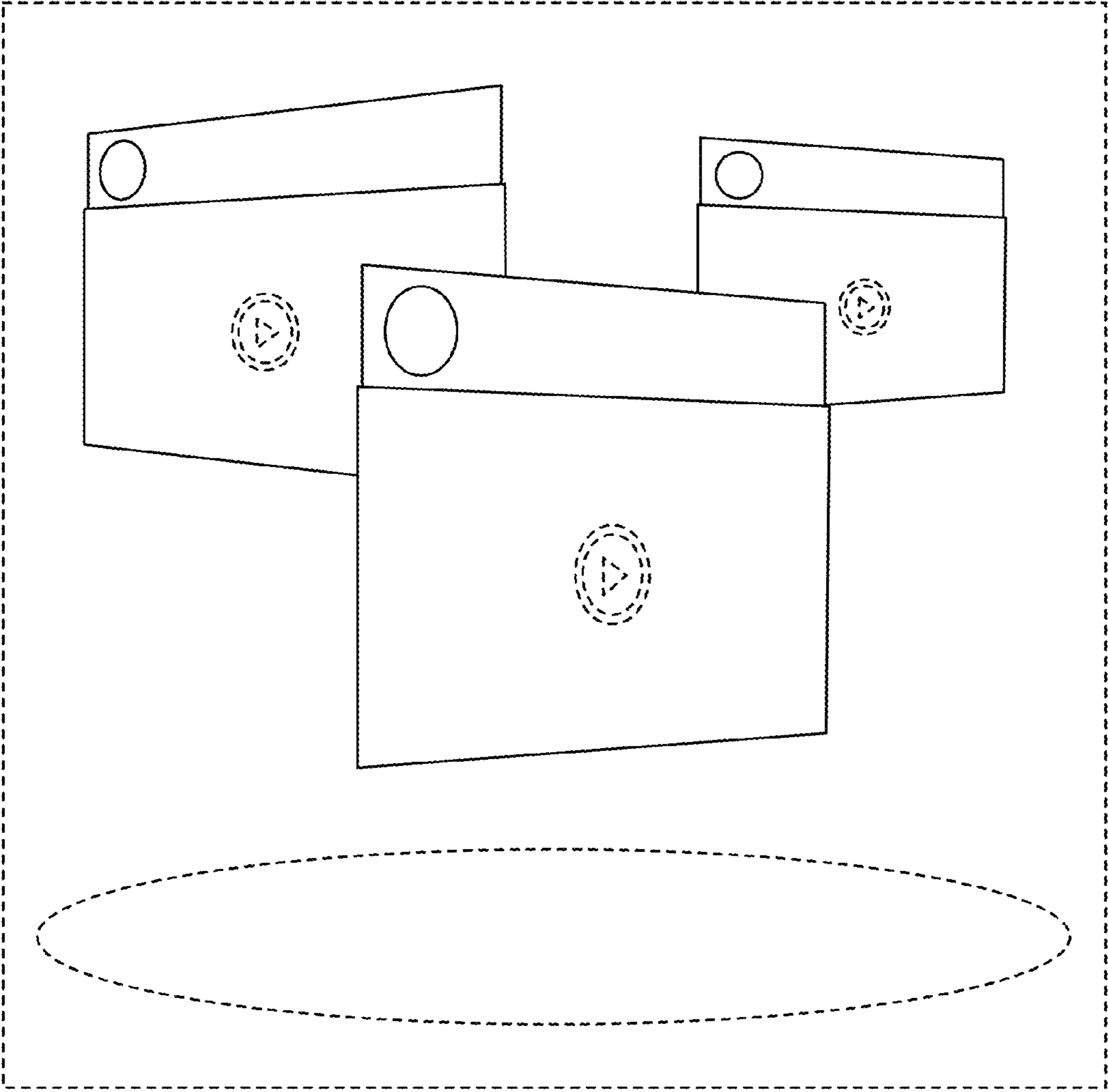


FIG. 1

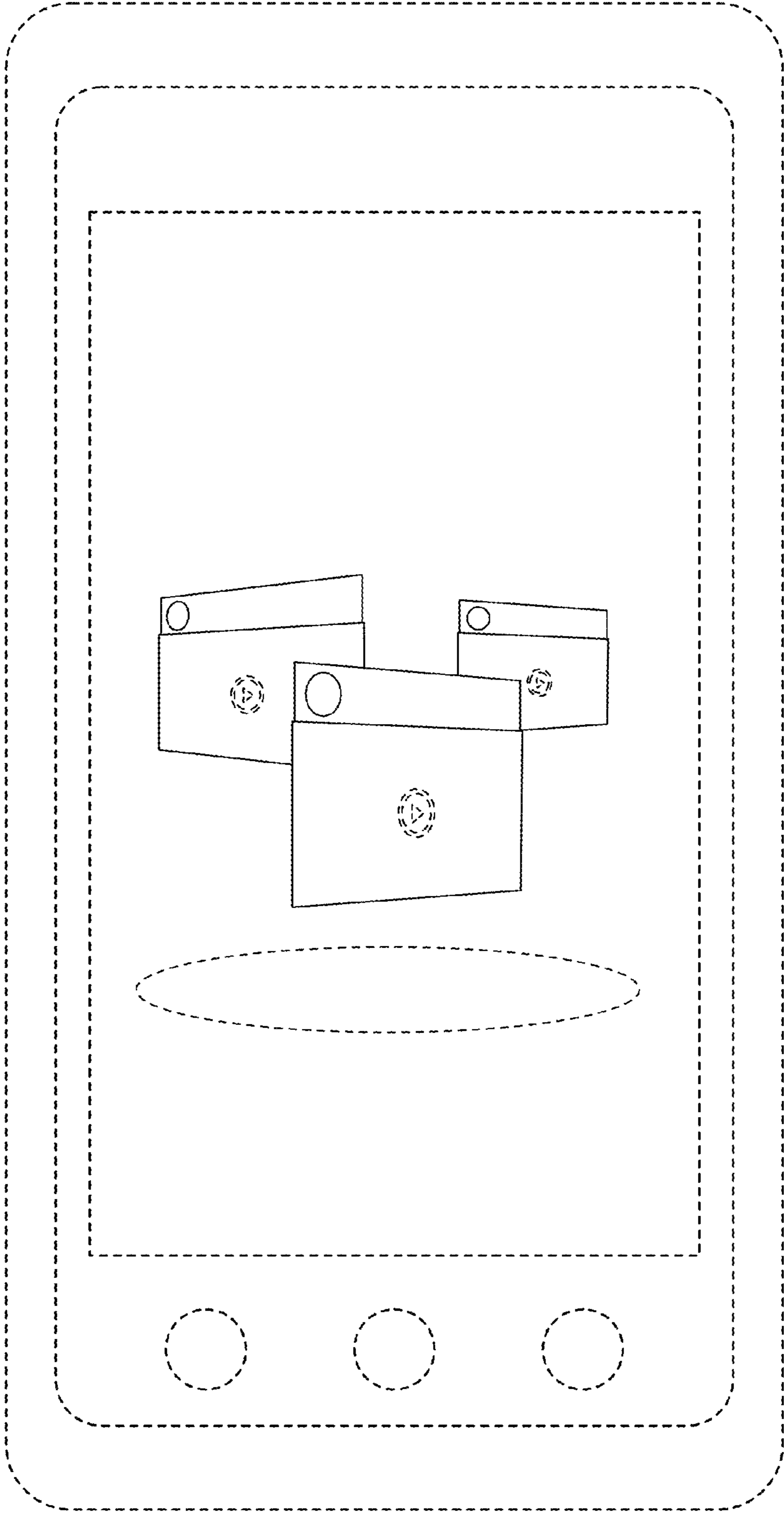


FIG. 2

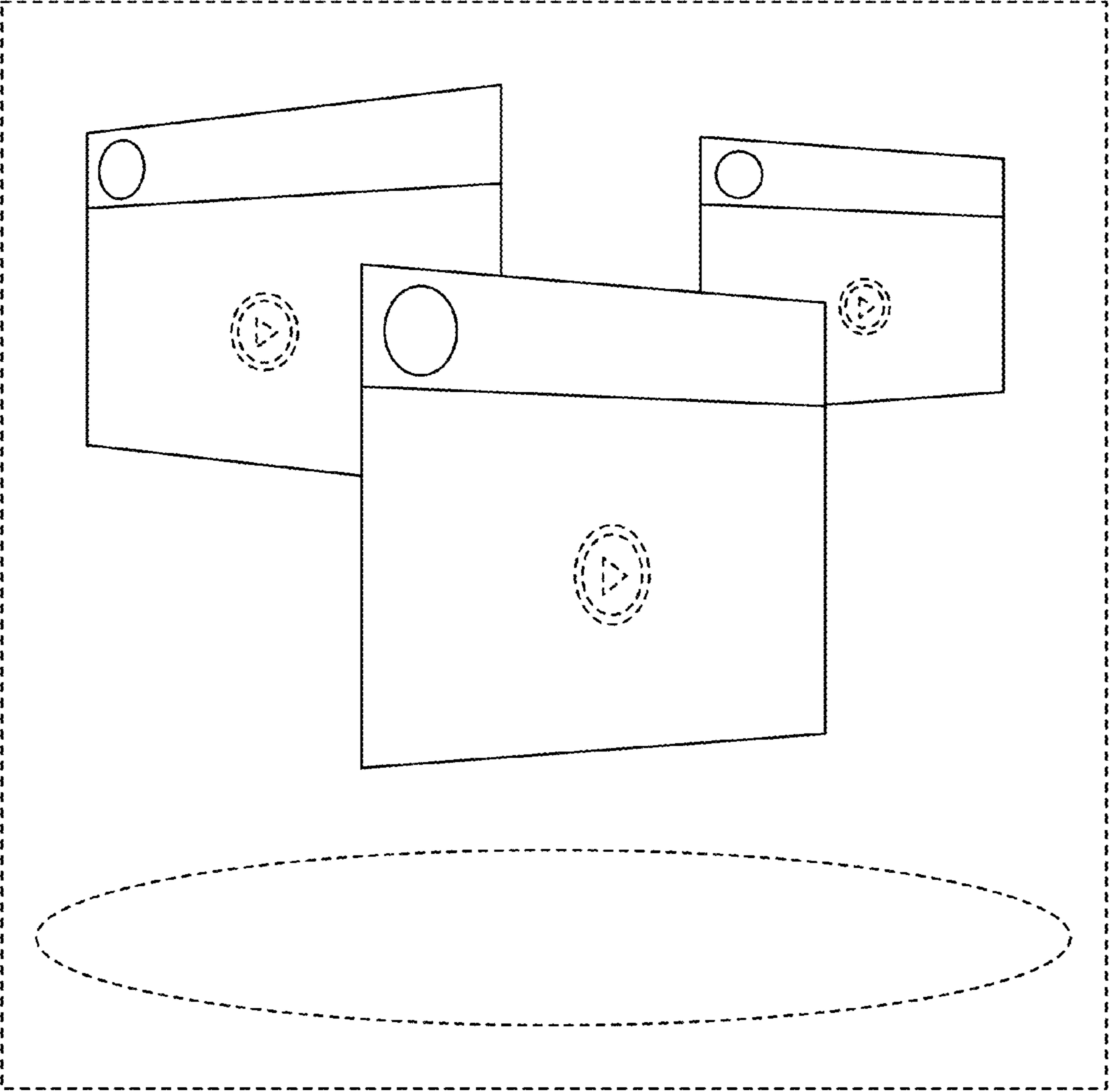


FIG. 3

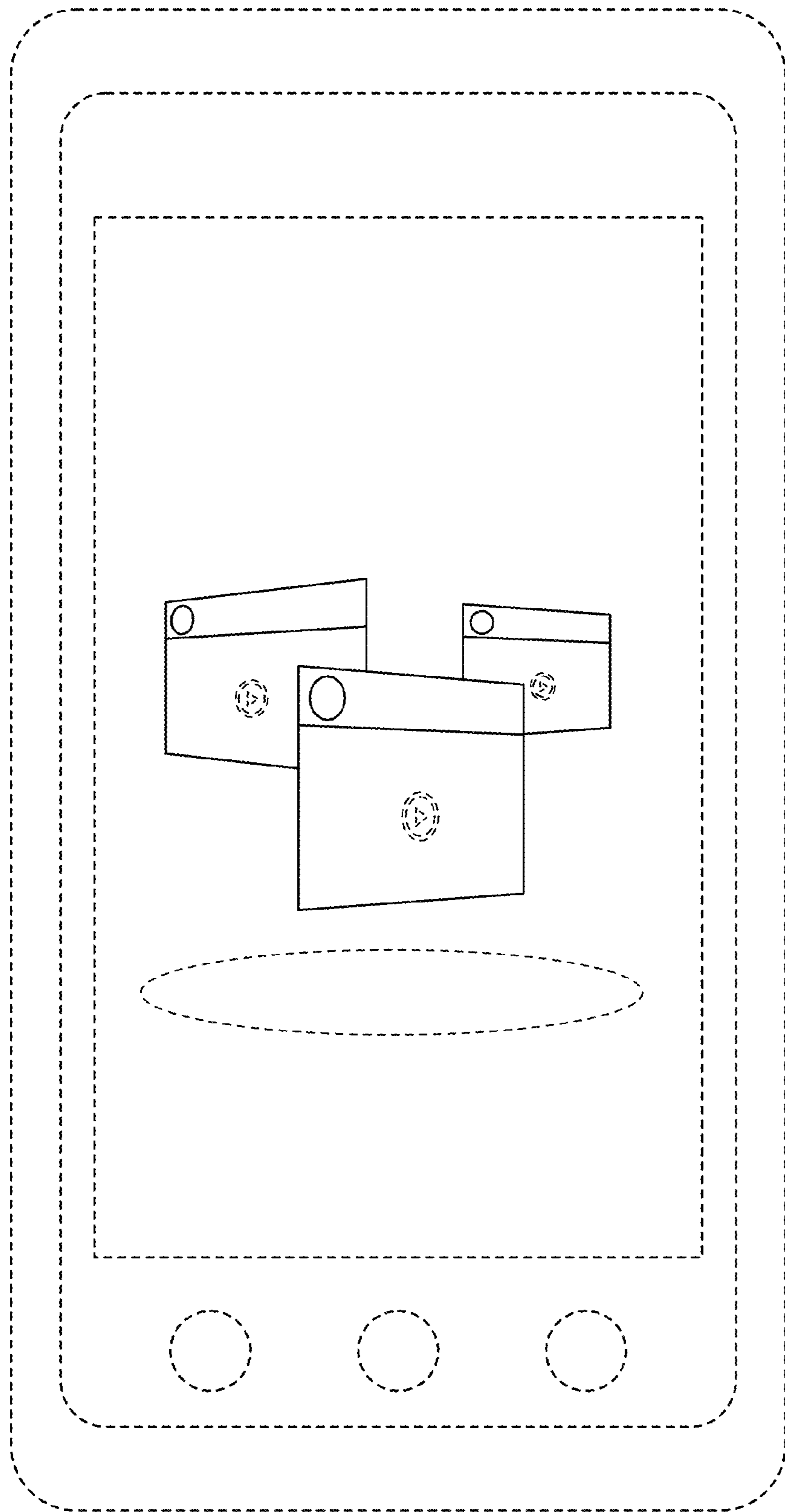


FIG. 4