

US00D709076S

(12) **United States Design Patent**
Stener

(10) **Patent No.:** **US D709,076 S**
(45) **Date of Patent:** **** Jul. 15, 2014**

(54) **PERSONAL ELECTRONIC DEVICE STAND**

(71) Applicant: **Wild West Investments, LLC**, Dallas, TX (US)

(72) Inventor: **Gavin Stener**, Dallas, TX (US)

(73) Assignee: **Wild West Investments, LLC**, Dallas, TX (US)

(**) Term: **14 Years**

(21) Appl. No.: **29/473,656**

(22) Filed: **Nov. 25, 2013**

(51) **LOC (10) Cl.** **08-07**

(52) **U.S. Cl.**
USPC **D14/447**

(58) **Field of Classification Search**
USPC D14/447, 432, 434, 439, 440, 451, 452, D14/457, 460, 461, 238.1, 250, 251, 253; D3/218; D6/406.3, 406.4, 406.5, D6/406.6; 248/444, 441.1, 188.6, 248/917-924; 361/679.02, 679.03, 679.04, 361/679.09, 679.21, 679.26, 679.27, 679.3, 361/679.55, 679.56

See application file for complete search history.

(56) **References Cited**

U.S. PATENT DOCUMENTS

D376,805 S	*	12/1996	Johansson	D14/253
D453,155 S	*	1/2002	Michel	D14/253
D513,875 S	*	1/2006	Licsko	D3/318
D532,291 S	*	11/2006	Geers	D8/394
D582,918 S	*	12/2008	Scott	D14/432
D616,431 S	*	5/2010	Hijmans	D14/253
D618,692 S	*	6/2010	Deutsch et al.	D14/447
D640,708 S	*	6/2011	Lee	D14/447
D647,881 S	*	11/2011	Warner	D14/217

D652,422 S	*	1/2012	Cheng	D14/447
D658,167 S	*	4/2012	Buesseler et al.	D14/251
D658,170 S	*	4/2012	Chen et al.	D14/253
D663,735 S	*	7/2012	Musselman	D14/447
D669,482 S	*	10/2012	Hu et al.	D14/447
D672,357 S	*	12/2012	Allen	D14/447
D674,395 S	*	1/2013	Haarburger	D14/447
D676,450 S	*	2/2013	Lye	D14/447
D676,832 S	*	2/2013	Akana et al.	D14/217
D681,646 S	*	5/2013	Ide	D14/447
2012/0305502 A1	*	12/2012	Haarburger	211/26

* cited by examiner

Primary Examiner — Angela J Lee

(74) *Attorney, Agent, or Firm* — Dentons US LLP

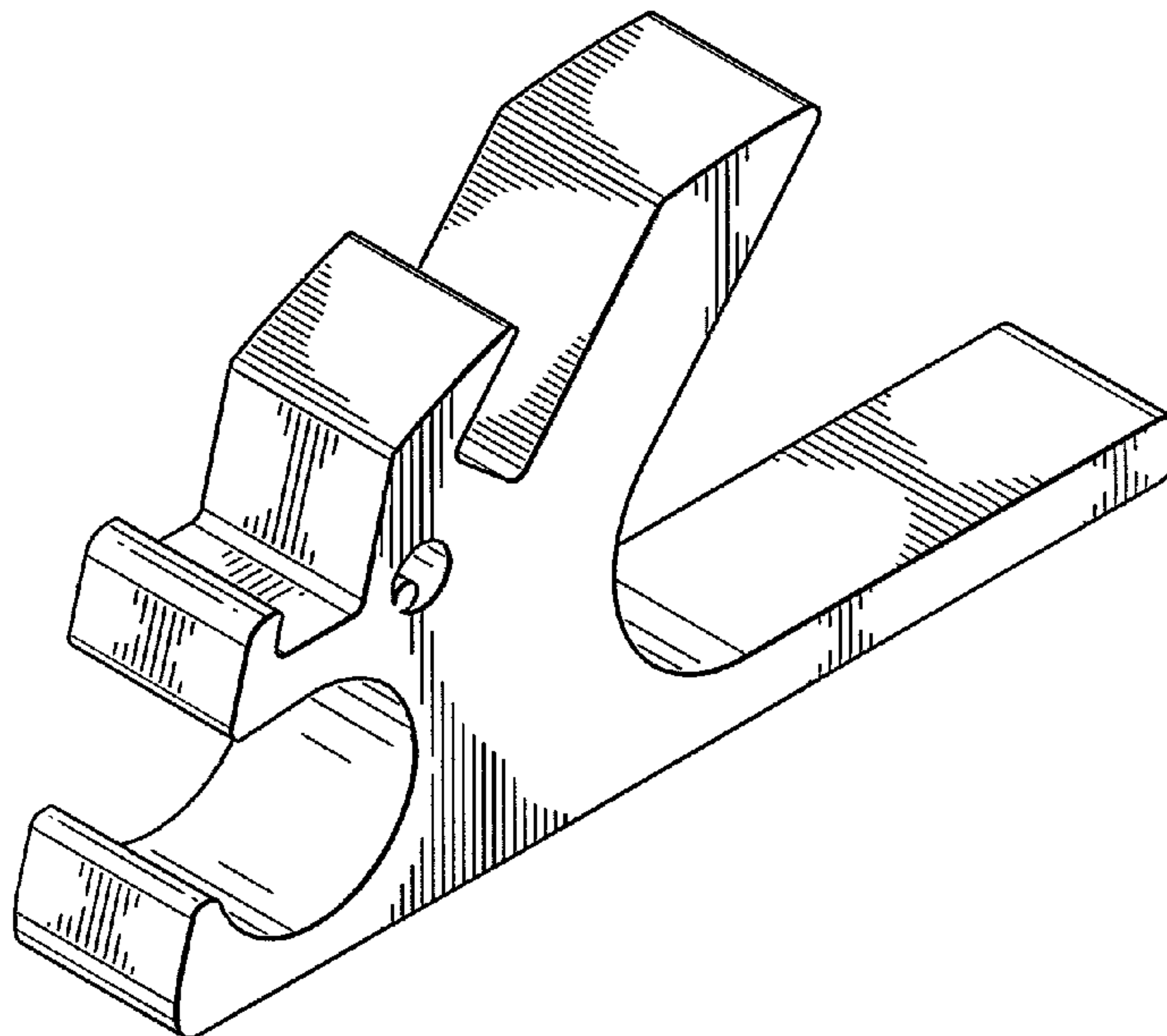
(57) **CLAIM**

The ornamental design for personal electronic device stand, as shown and described.

DESCRIPTION

FIG. 1 is an illustration of a front perspective view of an ornamental design for a personal electronic device stand; FIG. 2 is an illustration of a front view of an ornamental design of the stand; FIG. 3 is an illustration of a rear view of an ornamental design of the stand; FIG. 4 is an illustration of a left-side view of an ornamental design of the stand; FIG. 5 is an illustration of a right-side view of an ornamental design of the stand; FIG. 6 is an illustration of a top view of an ornamental design of the stand; FIG. 7 is an illustration of a bottom view of an ornamental design of the stand; and, FIG. 8 is an illustration of a rear perspective view of the stand supporting an illustrative electronic device.

1 Claim, 3 Drawing Sheets



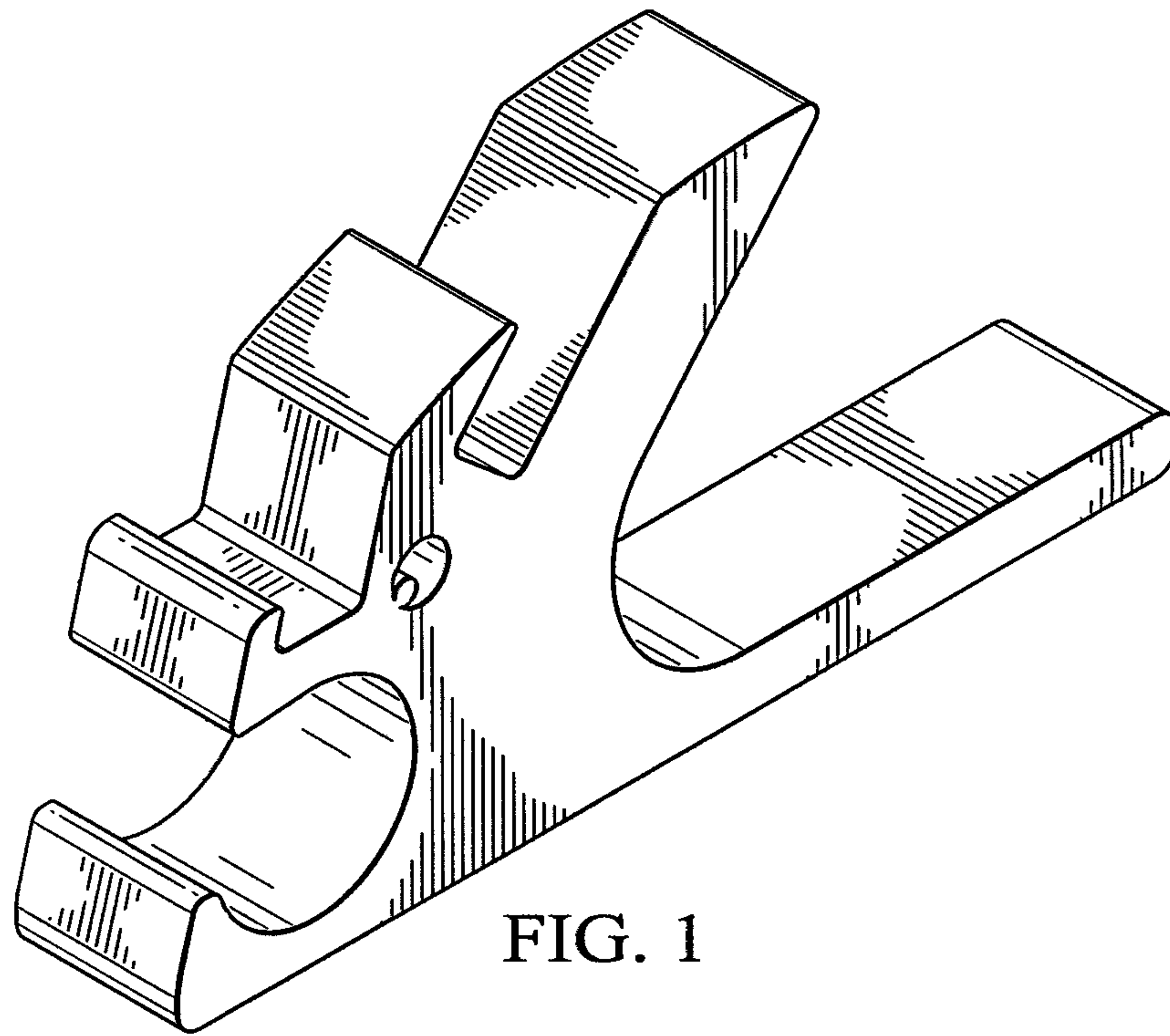


FIG. 1

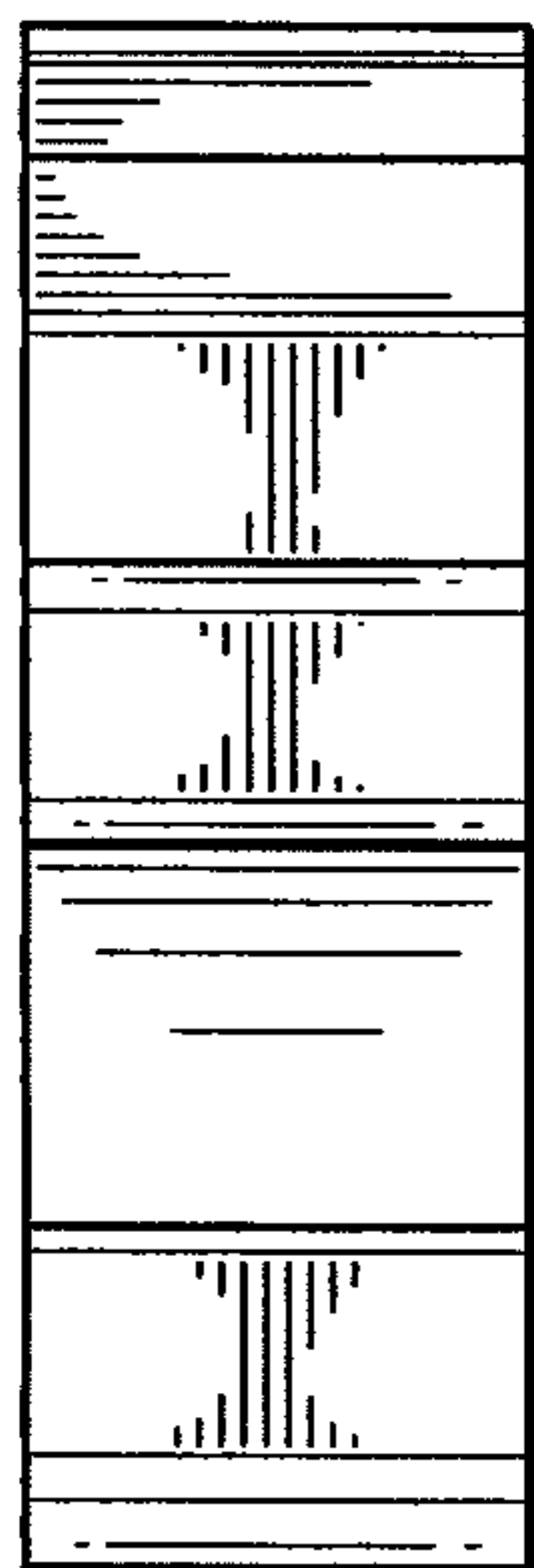


FIG. 2

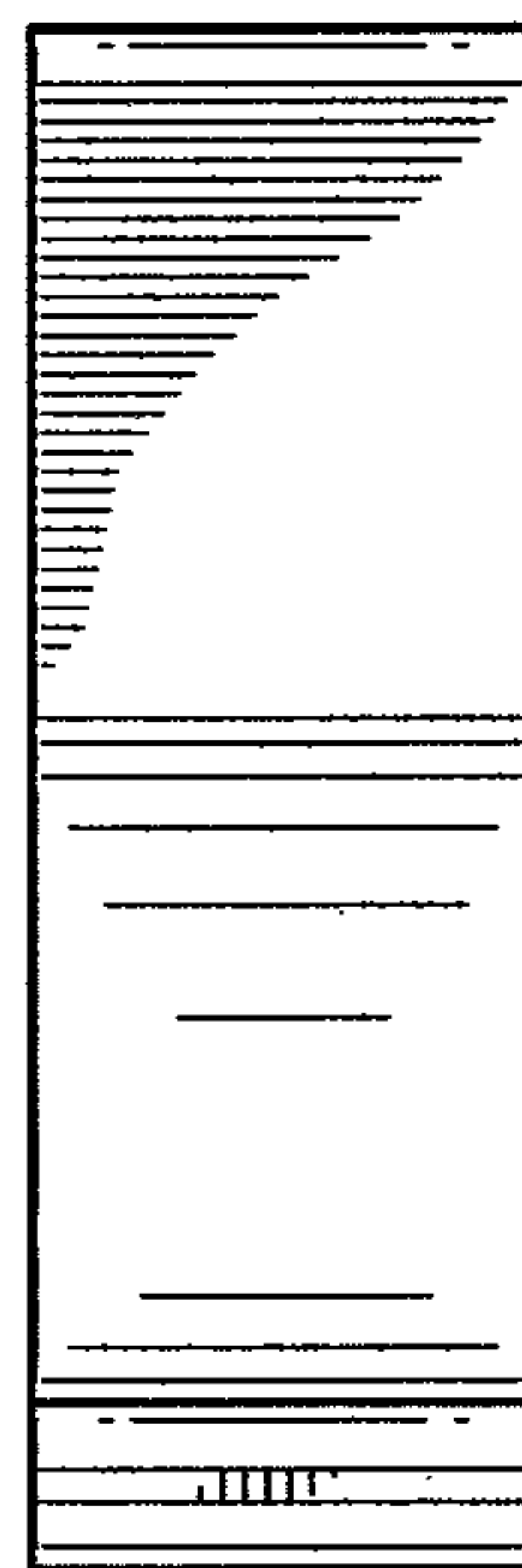


FIG. 3

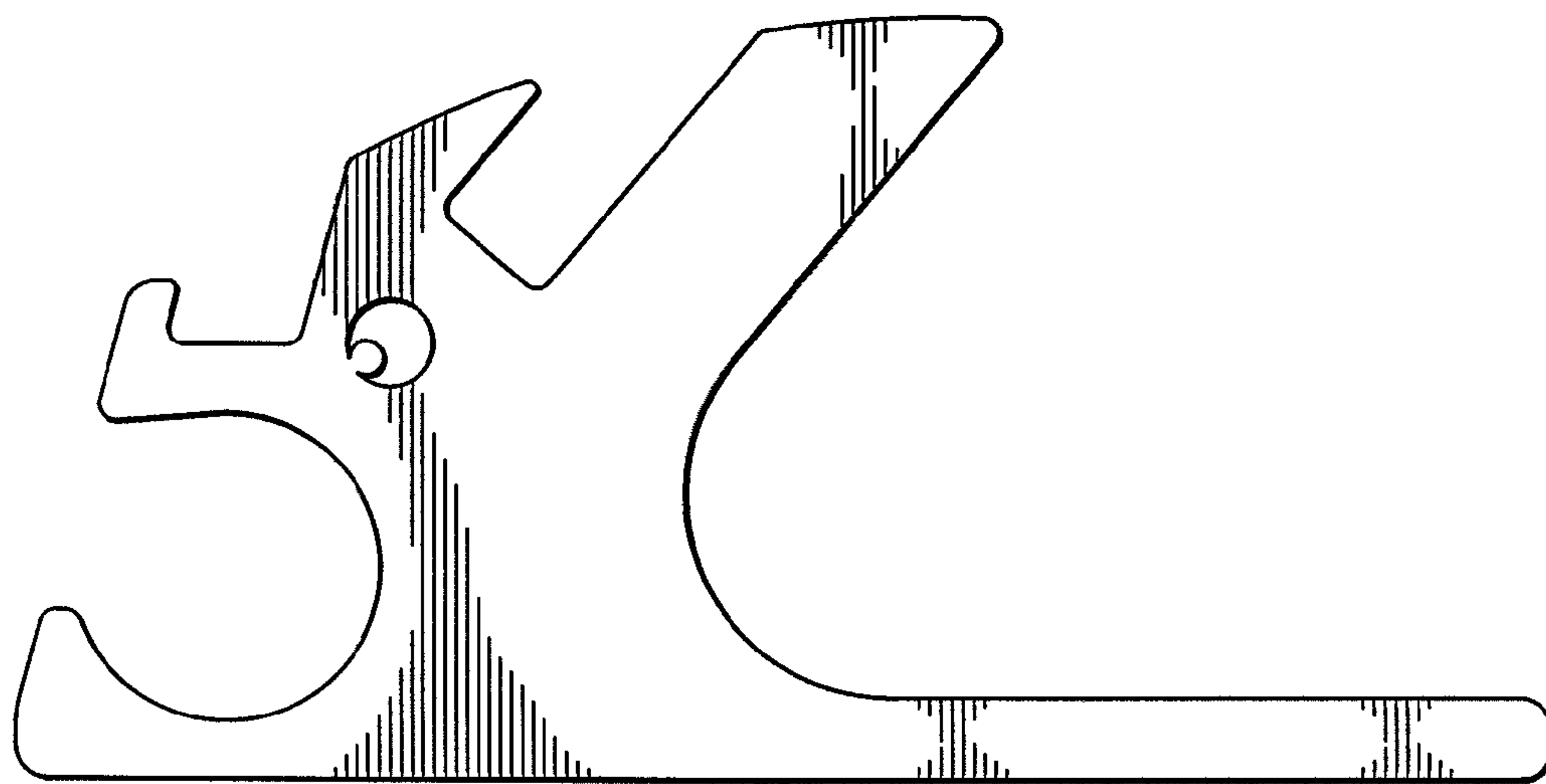


FIG. 4

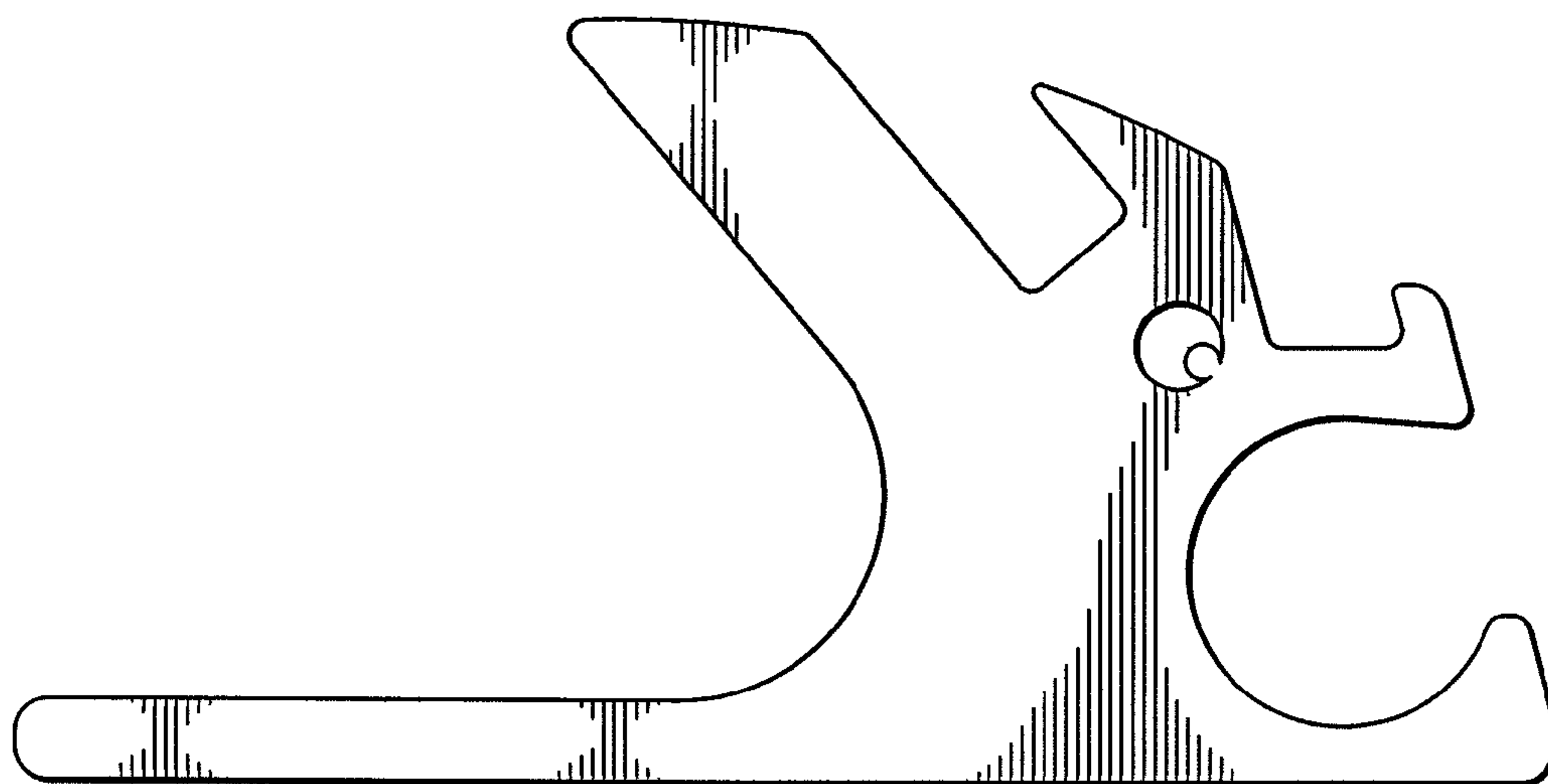


FIG. 5

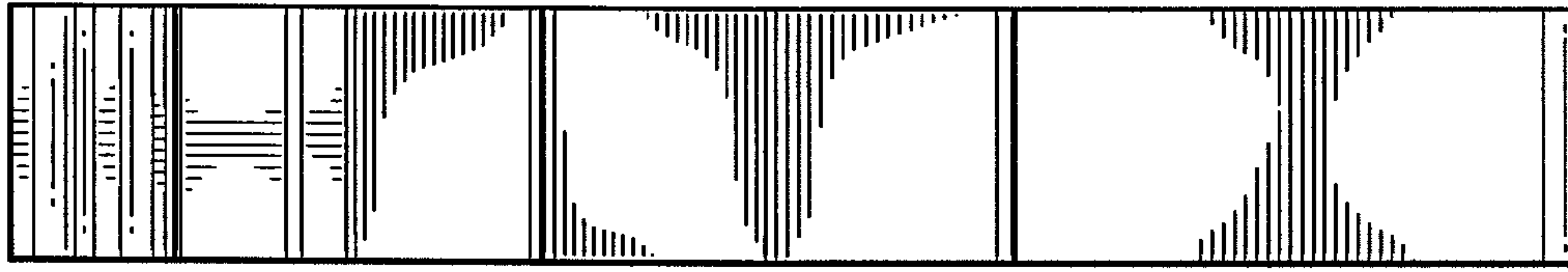


FIG. 6

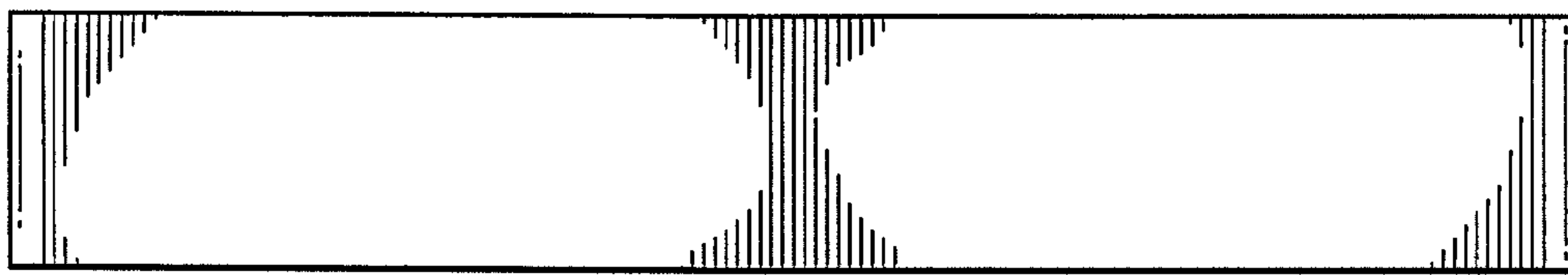


FIG. 7

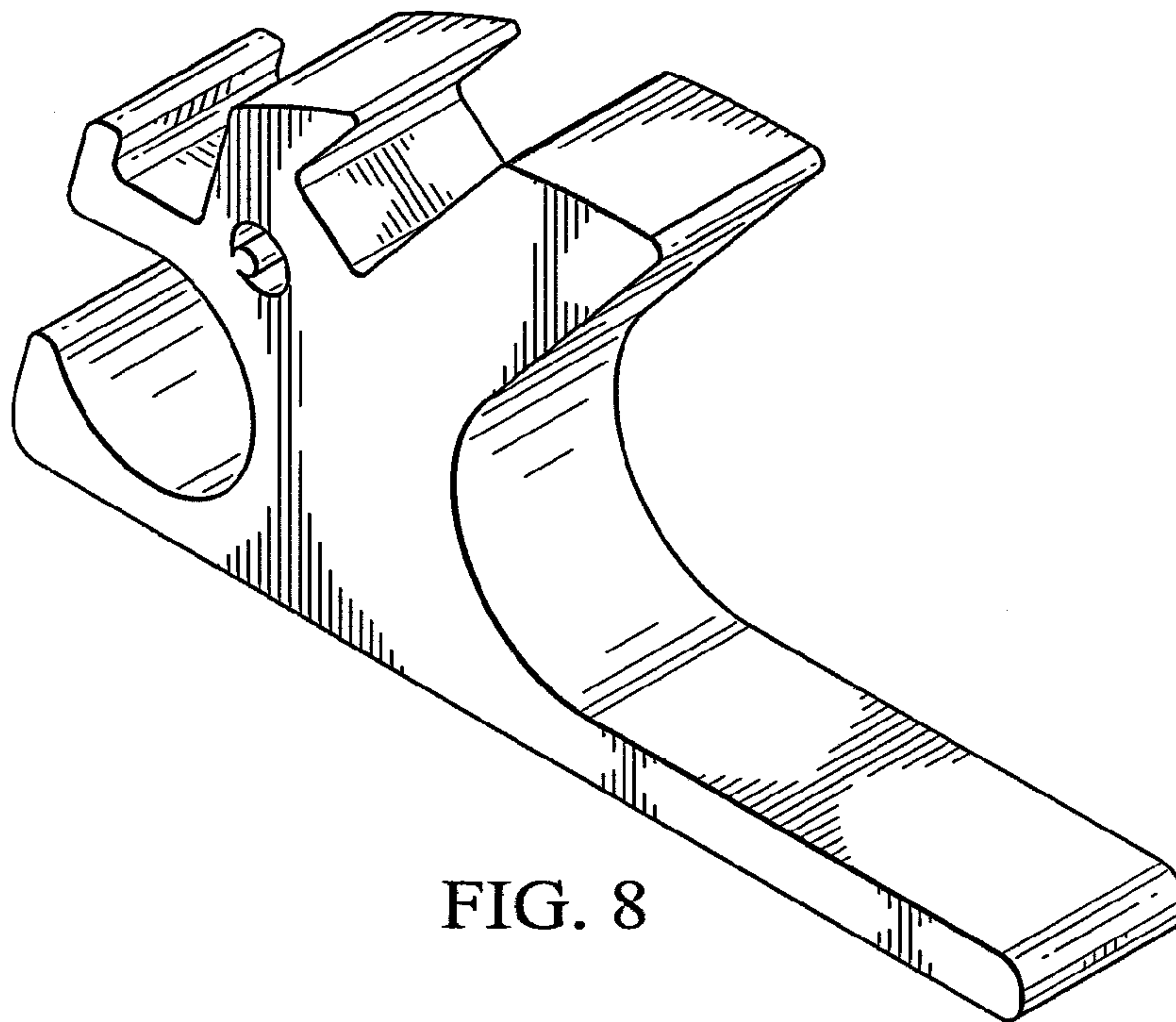


FIG. 8