



US00D709073S

(12) **United States Design Patent**  
**Inman**

(10) **Patent No.:** **US D709,073 S**

(45) **Date of Patent:** **\*\* Jul. 15, 2014**

(54) **PORTABLE ELECTRONIC DEVICE HOLDER**

(56)

**References Cited**

(71) Applicant: **William Inman**, Cornelia, GA (US)

U.S. PATENT DOCUMENTS

(72) Inventor: **William Inman**, Cornelia, GA (US)

(\*\*) Term: **14 Years**

D519,275	S	*	4/2006	Shertzer	.....	D3/218
D533,994	S	*	12/2006	Hussaini et al.	.....	D3/218
7,370,781	B2	*	5/2008	Gambrill	.....	224/647
D663,948	S	*	7/2012	Ito et al.	.....	D3/218
D665,996	S	*	8/2012	Holbrook	.....	D3/276
D673,162	S	*	12/2012	Young	.....	D14/447
D684,356	S	*	6/2013	Pegg	.....	D3/218
D684,357	S	*	6/2013	Pegg	.....	D3/218
D684,358	S	*	6/2013	Pegg	.....	D3/218
D694,743	S	*	12/2013	Monaco et al.	.....	D14/250
8,632,041	B2	*	1/2014	Ahn et al.	.....	248/346.04
2012/0217275	A1	*	8/2012	Yu	.....	224/267
2012/0273541	A1	*	11/2012	Zwach	.....	224/615

(21) Appl. No.: **29/450,979**

(22) Filed: **Mar. 26, 2013**

(51) **LOC (10) Cl.** ..... **08-07**

(52) **U.S. Cl.**  
USPC ..... **D14/447**

(58) **Field of Classification Search**

CPC ..... A45C 13/002; A45C 2011/002; A45C 2011/003; A45C 2013/025; A47B 2021/0314; A47B 2021/0307; A47B 2023/005; A47B 2023/049; A47B 2097/005; A47B 2097/006; A47B 21/04; A47B 2021/00; A47B 23/00; A47B 23/043; H04B 1/3888; H04M 1/04; H04M 1/185; F16M 13/00; F16M 2200/00; G06F 1/163; A45F 2200/0516; A45F 2200/0525

USPC ..... D14/447, 432, 434, 439, 440, 451, 452, D14/457, 460, 461, 238.1, 250, 251, 253; D3/218; D6/406.3, 406.4, 406.5, D6/406.6; 248/444, 441.1, 188.6, 248/917-924; 361/679.02, 679.03, 679.04, 361/679.09, 679.21, 679.26, 679.27, 679.3, 361/679.55, 679.56

\* cited by examiner

*Primary Examiner* — Angela J Lee

(74) *Attorney, Agent, or Firm* — QuickPatents; Kevin Prince

(57) **CLAIM**

I claim the ornamental design for a portable electronic device holder, as shown and described.

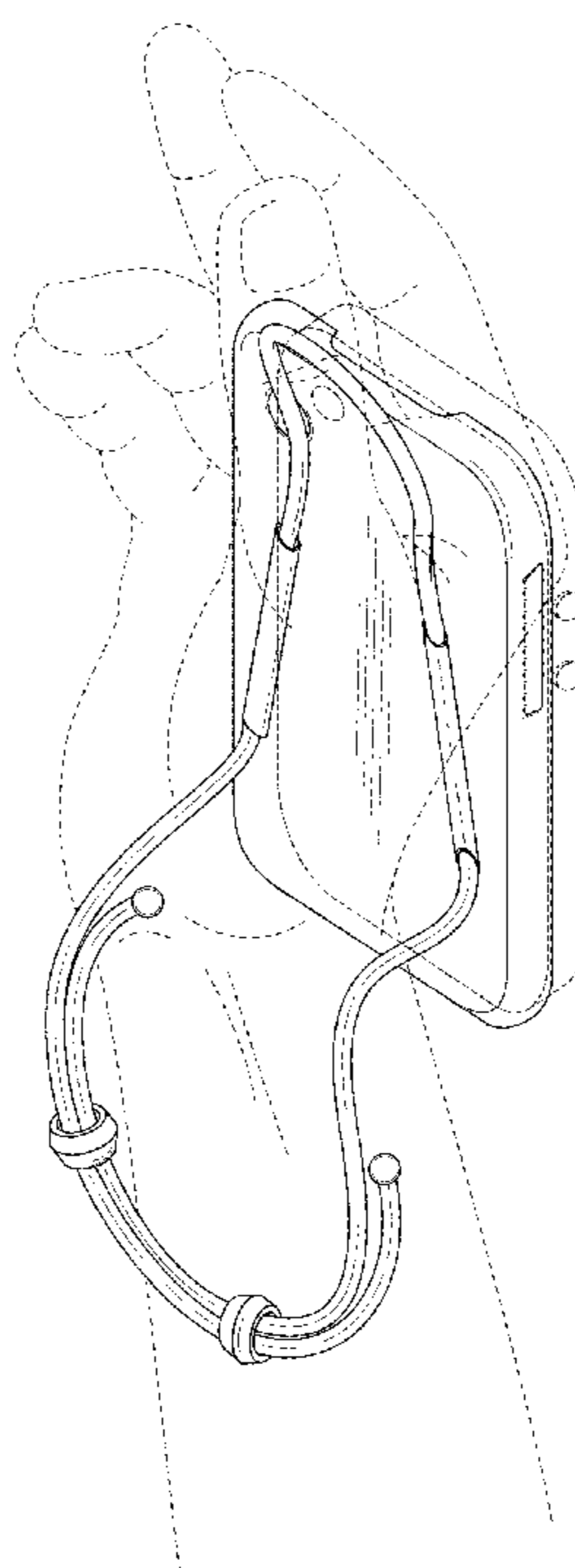
**DESCRIPTION**

FIG. 1 is a perspective view of a portable electronic device holder, showing my new design;  
 FIG. 2 is a front elevational view thereof;  
 FIG. 3 is a rear elevational view thereof;  
 FIG. 4 is a right-side elevational view thereof;  
 FIG. 5 is a left-side elevational view thereof;  
 FIG. 6 is a bottom plan view thereof; and,  
 FIG. 7 is a top plan view thereof.

The broken lines showing a person's arm in FIG. 1 depict environmental matter and form no part of the claimed design.

See application file for complete search history.

**1 Claim, 3 Drawing Sheets**



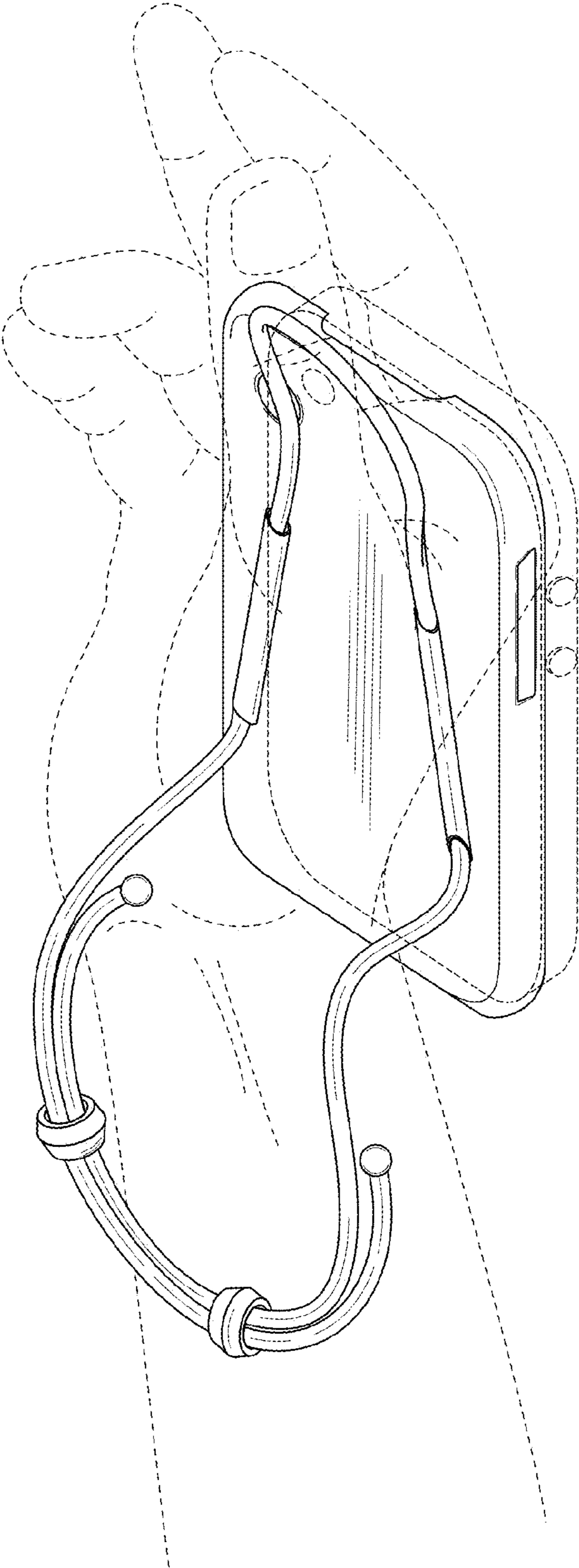


FIG. 1

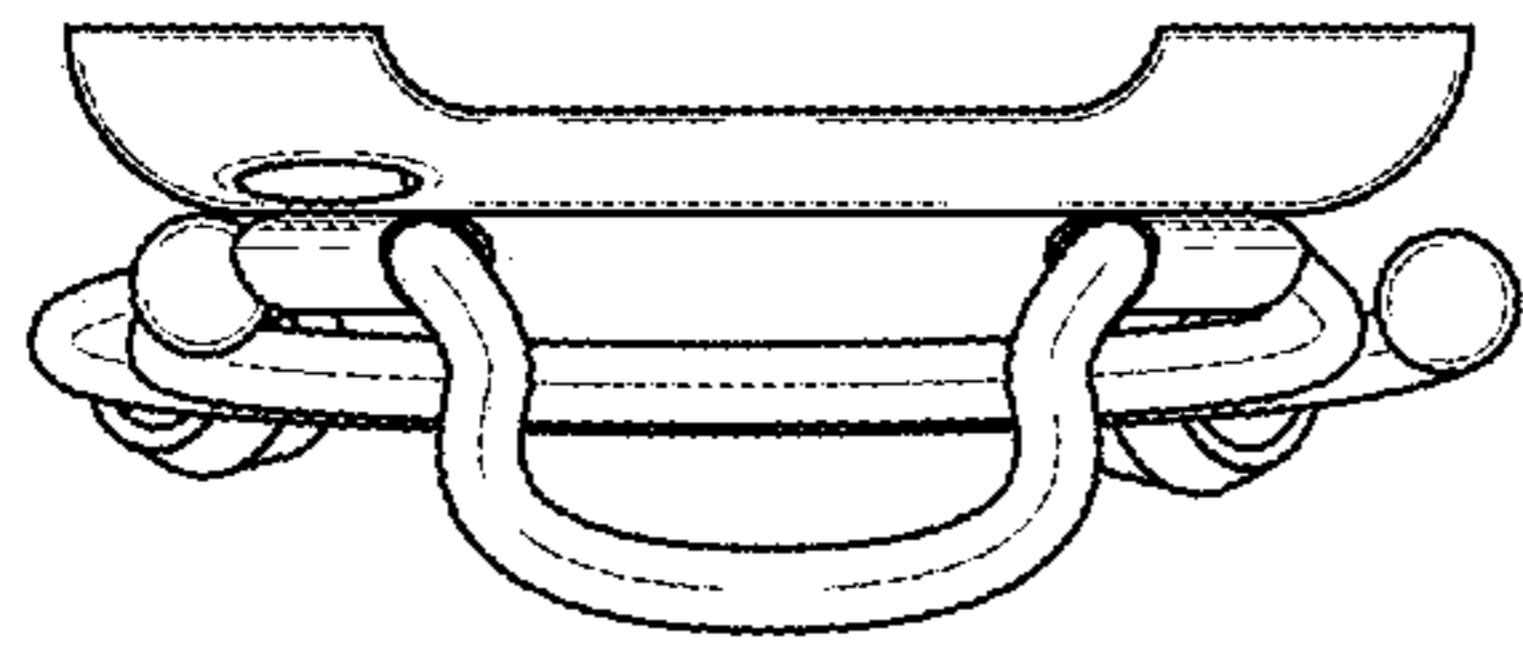


FIG. 2

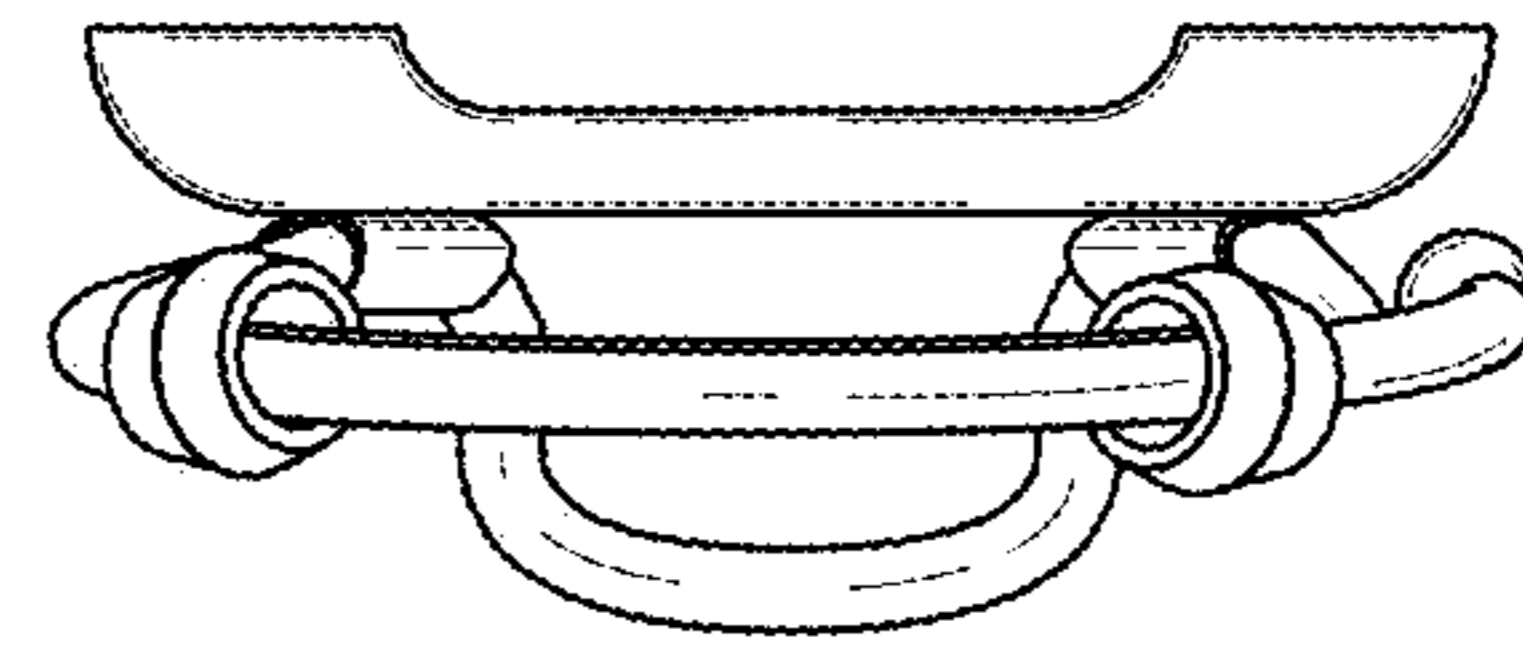


FIG. 3

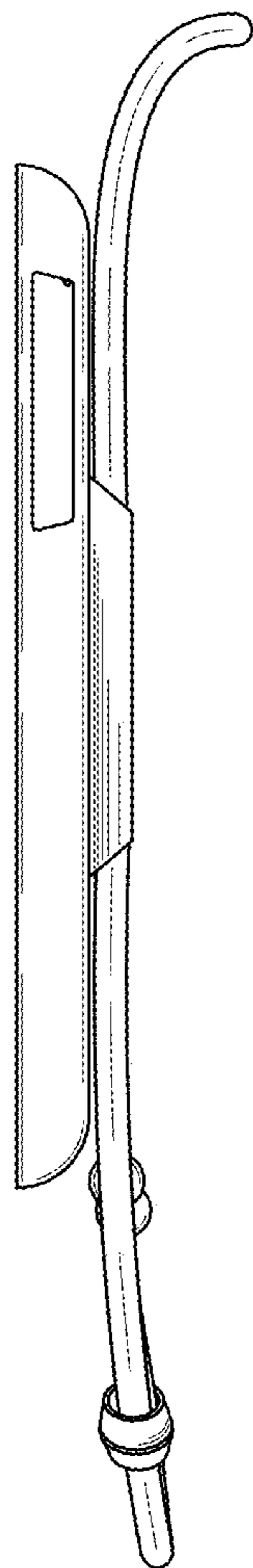


FIG. 4

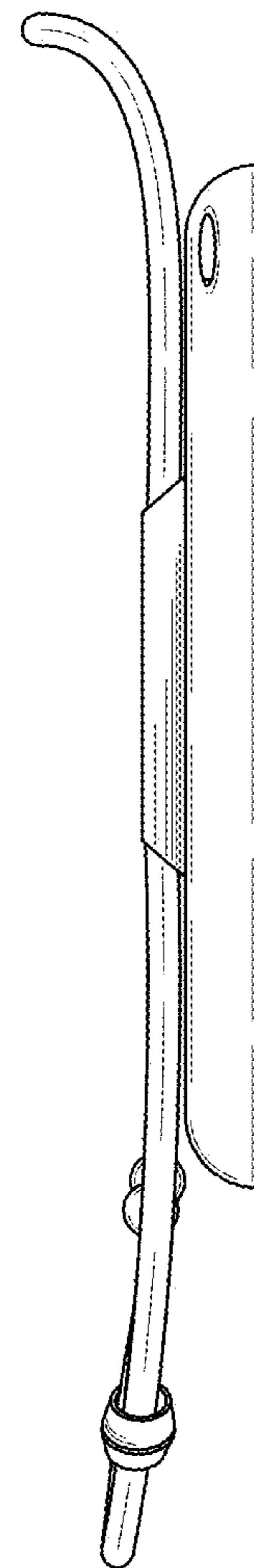


FIG. 5

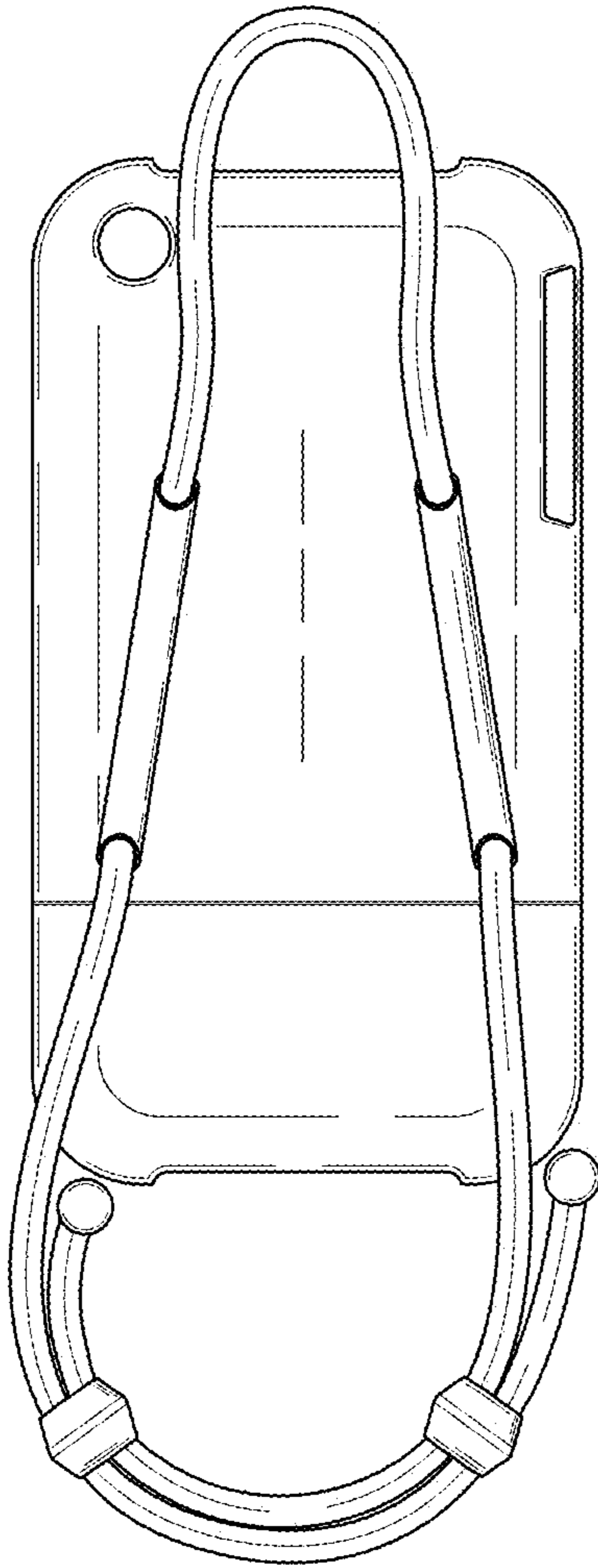


FIG. 6

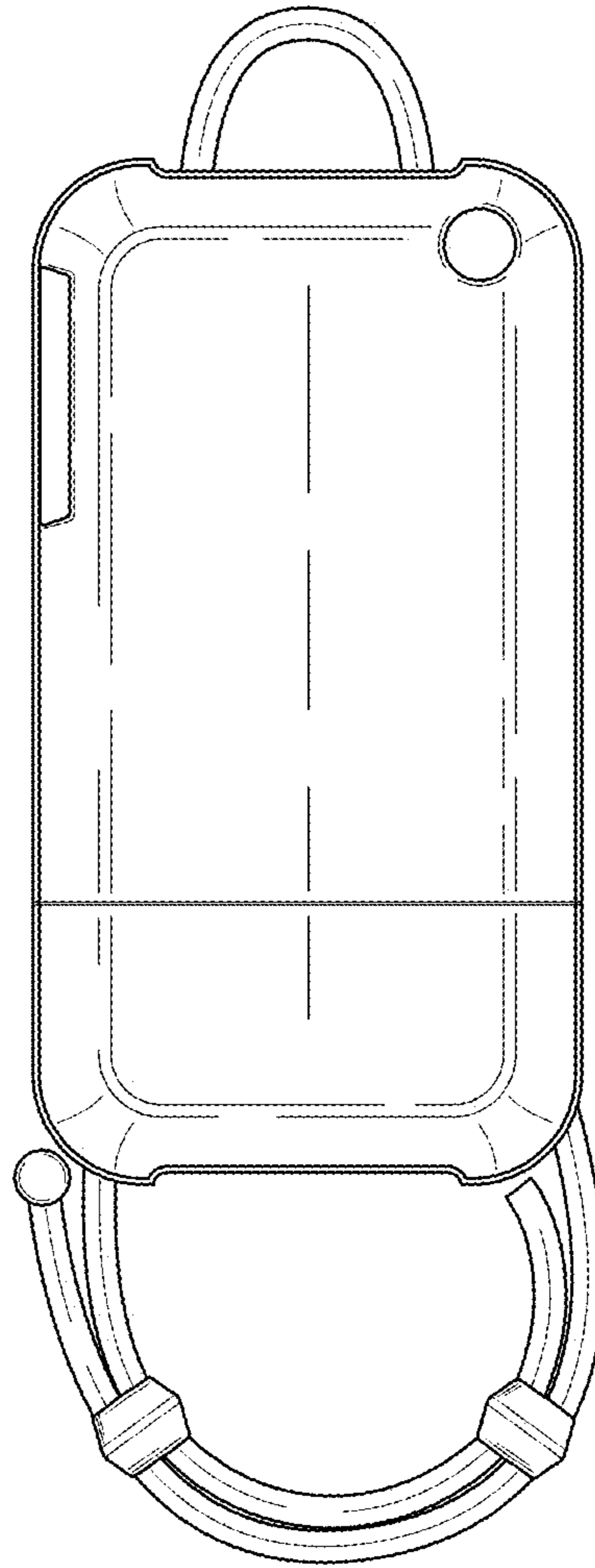


FIG. 7