



US00D709071S

(12) **United States Design Patent**  
**Kato et al.**

(10) **Patent No.:** **US D709,071 S**  
(45) **Date of Patent:** **\*\* Jul. 15, 2014**

(54) **SCANNER**

(56) **References Cited**

- (71) Applicant: **Canon Denshi Kabushiki Kaisha**,  
Chichibu (JP)
- (72) Inventors: **Shinobu Kato**, Yokohama (JP); **Tatsuya Nishi**, Kashiwa (JP); **Yuuho Shigeta**,  
Tokyo (JP); **Jun Tanaka**, Chichibu (JP);  
**Kazuaki Sakuta**, Kawasaki (JP)
- (73) Assignee: **Canon Denshi Kabushiki Kaisha**,  
Chichibu-Shi, Saitama-Ken (JP)
- (\*\*) Term: **14 Years**
- (21) Appl. No.: **29/453,835**
- (22) Filed: **May 3, 2013**
- (30) **Foreign Application Priority Data**

U.S. PATENT DOCUMENTS

D186,474 S *	10/1959	Robbins	.....	D18/39
D249,797 S *	10/1978	Van Acker et al.	.....	D18/36
D293,578 S *	1/1988	Matsumoto et al.	.....	D18/55
D295,416 S *	4/1988	Glaberson	.....	D14/422
D302,812 S *	8/1989	Hiroki	.....	D14/422
D317,014 S *	5/1991	Oyamada et al.	.....	D18/54
D321,898 S *	11/1991	Kasee et al.	.....	D18/55
5,106,220 A *	4/1992	Ricca et al.	.....	400/693
D329,862 S *	9/1992	Watanabe et al.	.....	D16/208
5,236,265 A *	8/1993	Saito et al.	.....	400/88
D339,372 S *	9/1993	Kando	.....	D18/50
D339,576 S *	9/1993	Sawada et al.	.....	D14/462
D340,232 S *	10/1993	Yoshida	.....	D14/422
D343,637 S *	1/1994	Umino et al.	.....	D18/55
D345,353 S *	3/1994	Dietrich	.....	D14/462
5,302,034 A *	4/1994	Kitazawa	.....	400/615.2
D350,544 S	9/1994	Sakuta et al.	.....	D14/240
D352,731 S *	11/1994	Sugimoto	.....	D18/50

(Continued)

- Nov. 6, 2012 (JP) ..... 2012-027055
  - (51) **LOC (10) Cl.** ..... **14-02**
  - (52) **U.S. Cl.**  
USPC ..... **D14/422**
  - (58) **Field of Classification Search**  
USPC ..... D14/420, 422, 425, 462-470, 424, 389,  
D14/125, 399; D18/54, 55, 50, 53, 36-39,  
D18/14, 18-21, 49, 46, 52, 56, 51, 54.4;  
D13/164, 168; 358/400, 401, 448, 474,  
358/486-488, 496, 497, 494, 473, 302, 468,  
358/498; 382/312, 317, 321, 315; 400/613,  
400/613.1-613.4, 690.1-690.4, 691-694,  
400/88, 175; 399/107, 379, 380, 211, 212;  
235/462.11, 462.41, 472.01, 470,  
235/462.43; 361/680, 681; 378/177, 187,  
378/188; 101/93.4, 269; 355/78; D24/165,  
D24/169, 186; 600/502, 503, 499, 494, 490,  
600/485, 500, 492, 480, 493, 495, 479;  
128/900; 16/286; 347/104, 109, 5;  
271/186, 225, 126, 121, 137, 138
- See application file for complete search history.

*Primary Examiner* — Susan Moon Lee

(74) *Attorney, Agent, or Firm* — Fitzpatrick, Cella, Harper & Scinto

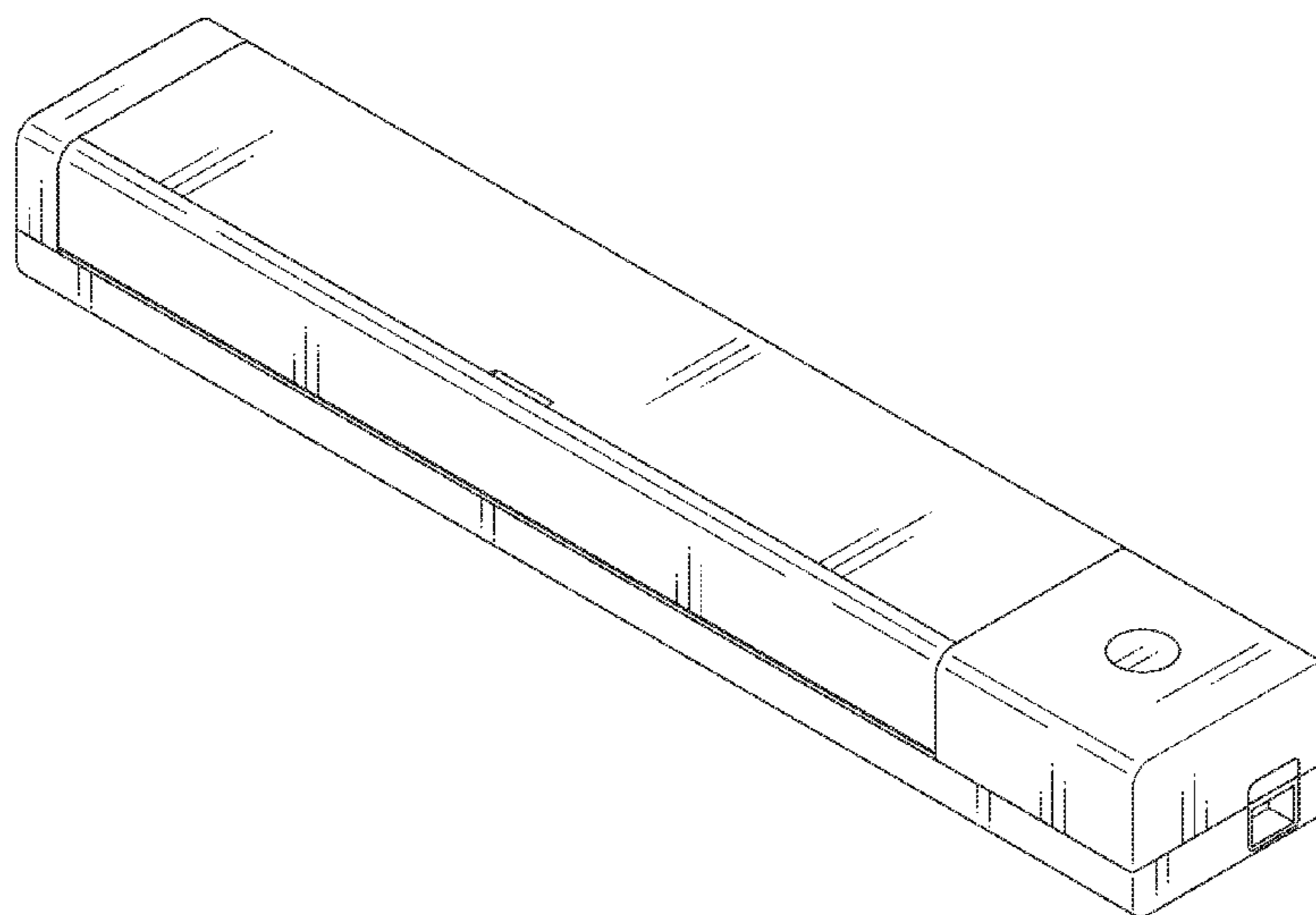
(57) **CLAIM**

The ornamental design for a scanner, as shown and described.

**DESCRIPTION**

FIG. 1 is a front, top, right perspective view of a scanner showing our new design;  
 FIG. 2 is a rear, top, left perspective view thereof;  
 FIG. 3 is a front view thereof;  
 FIG. 4 is a rear view thereof;  
 FIG. 5 is a left side view thereof;  
 FIG. 6 is a right side view thereof;  
 FIG. 7 is a top plan view thereof; and,  
 FIG. 8 is a bottom plan view thereof.

**1 Claim, 5 Drawing Sheets**



(56)

References Cited

U.S. PATENT DOCUMENTS

5,423,529	A *	6/1995	Saito et al. ....	271/127	D424,608	S *	5/2000	Yorifuji et al. ....	D18/40
D361,084	S *	8/1995	Yamanaka et al. ....	D18/50	D435,849	S *	1/2001	Tasi .....	D14/422
D361,554	S *	8/1995	Mochizuki et al. ....	D14/422	D443,889	S *	6/2001	Yamano et al. ....	D18/50
D362,267	S *	9/1995	Yamanaka et al. ....	D18/50	6,382,761	B1 *	5/2002	Asano et al. ....	347/19
D363,733	S *	10/1995	Sugimoto .....	D18/50	D478,594	S	8/2003	Ichiyoshi et al. ....	D14/422
D366,650	S *	1/1996	McKinnon et al. ....	D14/422	D492,313	S	6/2004	Ichiyoshi et al. ....	D14/421
D366,900	S *	2/1996	Pangburn et al. ....	D18/50	D525,295	S *	7/2006	Suzuki et al. ....	D18/55
D370,008	S *	5/1996	Cheng .....	D14/422	D563,413	S *	3/2008	Kuroda et al. ....	D14/422
5,531,431	A *	7/1996	Saito et al. ....	271/4.01	D579,938	S *	11/2008	Romanoff et al. ....	D14/422
D372,467	S *	8/1996	Lee .....	D14/422	D597,572	S *	8/2009	Tsai .....	D15/146
D372,902	S *	8/1996	Yu .....	D14/422	D624,547	S *	9/2010	Kuroda et al. ....	D14/422
D387,038	S	12/1997	Sakuta et al. ....	D14/107	D631,479	S *	1/2011	Komuro et al. ....	D14/422
D397,096	S *	8/1998	Chen et al. ....	D14/422	D636,775	S *	4/2011	Kuroda et al. ....	D14/422
D401,614	S *	11/1998	Moriyama .....	D18/36	D636,776	S *	4/2011	Kuroda et al. ....	D14/422
D402,969	S *	12/1998	Fujimoto .....	D14/422	D637,191	S *	5/2011	Kuroda et al. ....	D14/422
D407,712	S *	4/1999	Hasegawa .....	D14/422	D638,018	S *	5/2011	Kuroda et al. ....	D14/422
D413,585	S	9/1999	Sakuta et al. ....	D14/107	D644,265	S *	8/2011	Inada et al. ....	D18/50
D415,128	S *	10/1999	Kitera .....	D14/422	D682,834	S *	5/2013	Ishikawa et al. ....	D14/422
D422,571	S	4/2000	Sakata et al. ....	D14/107	D686,212	S *	7/2013	Yamano et al. ....	D14/422
					D699,726	S *	2/2014	Seki et al. ....	D14/422
					2004/0004642	A1 *	1/2004	Koike et al. ....	347/5
					2004/0067089	A1 *	4/2004	Tanaami et al. ....	400/693

\* cited by examiner

Fig. 1

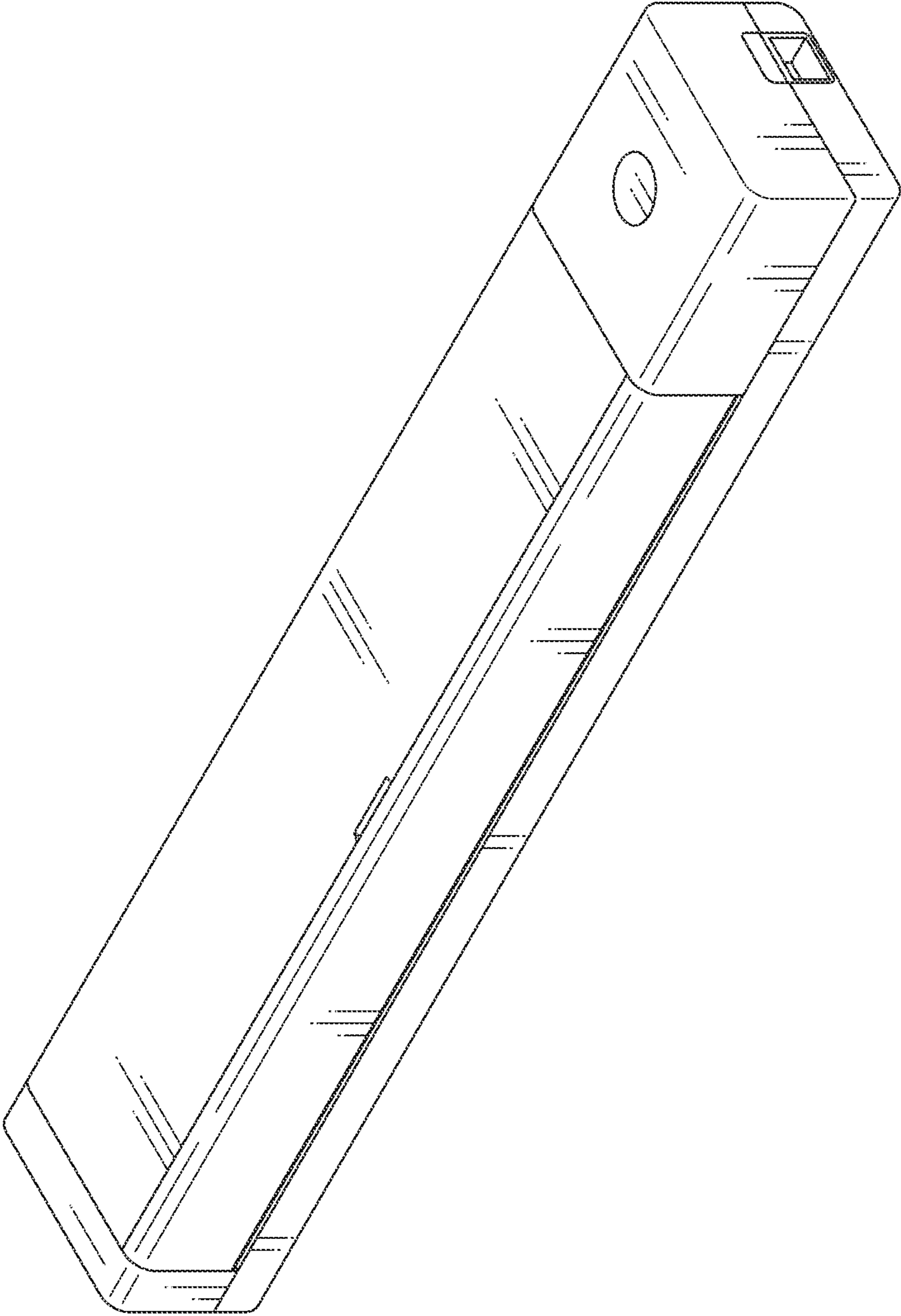


Fig. 2

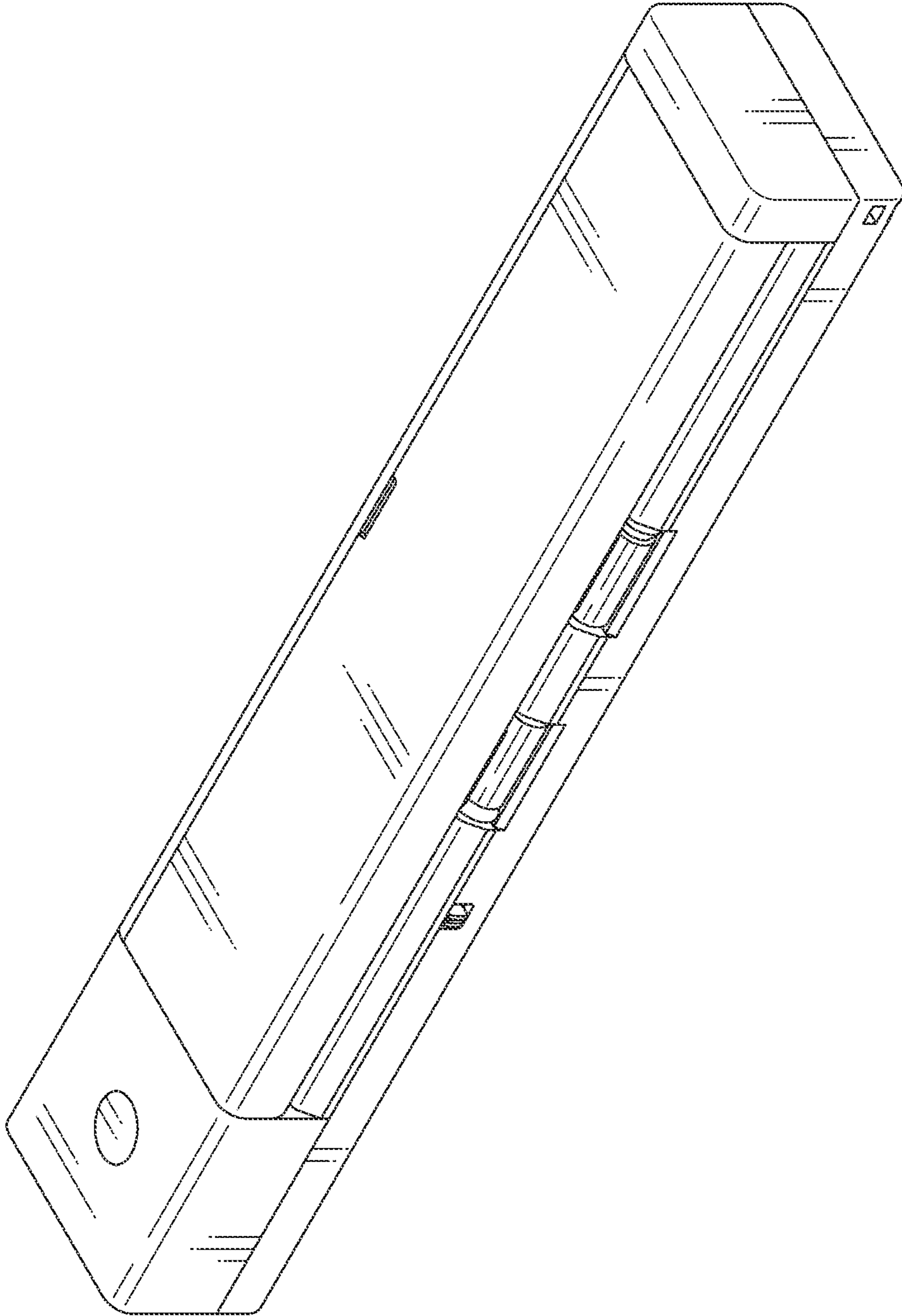




Fig. 3

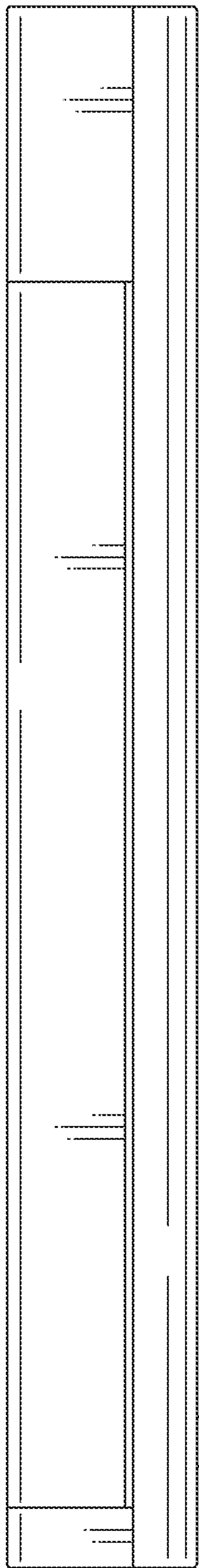


Fig. 4

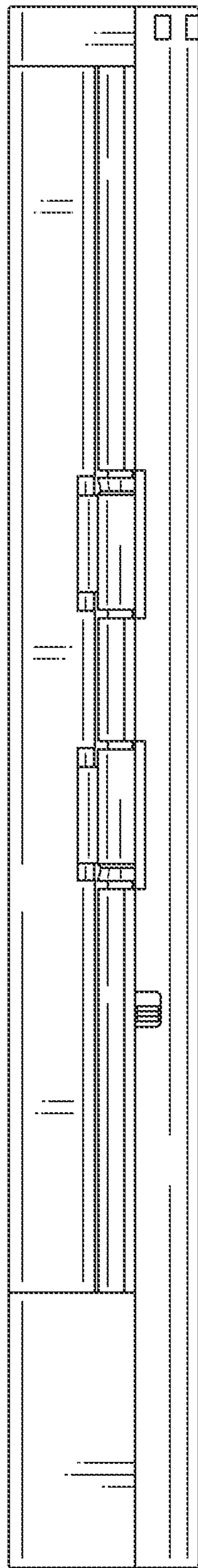


Fig. 6

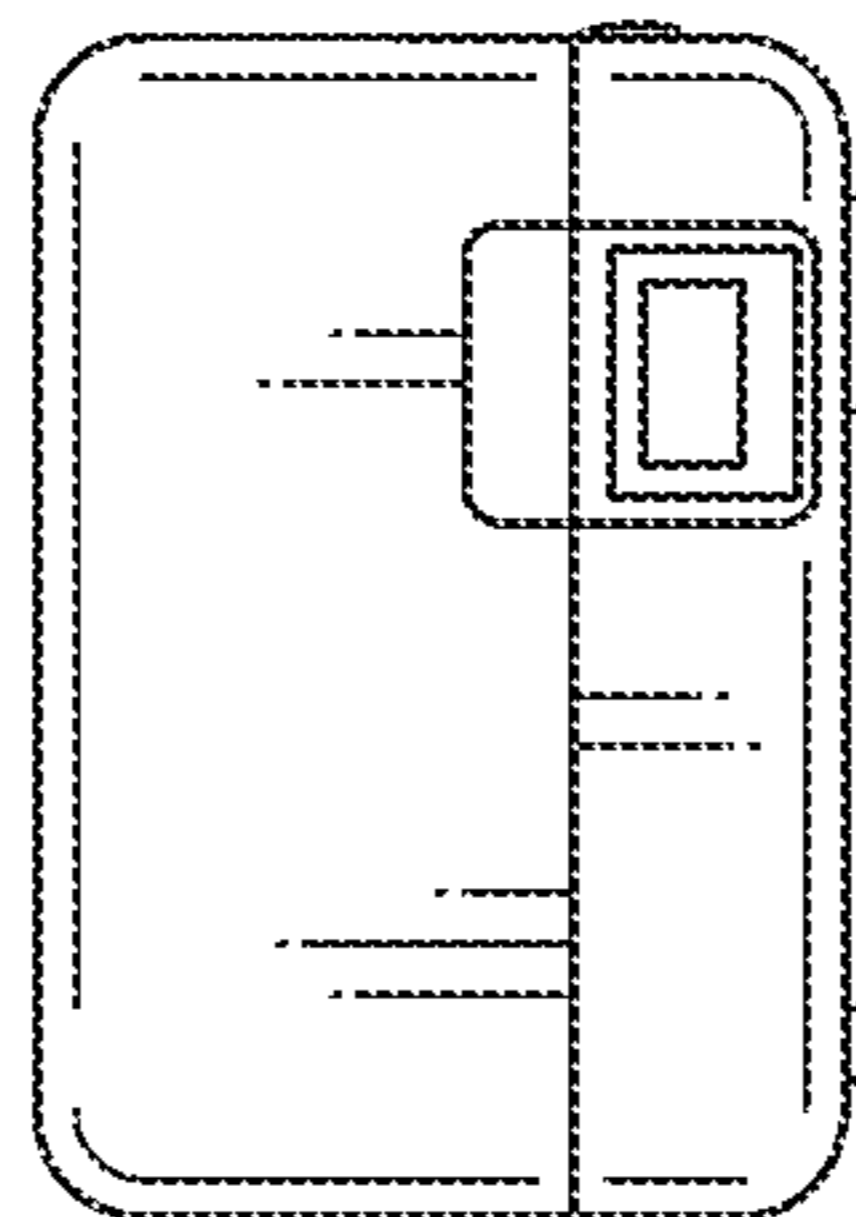


Fig. 5

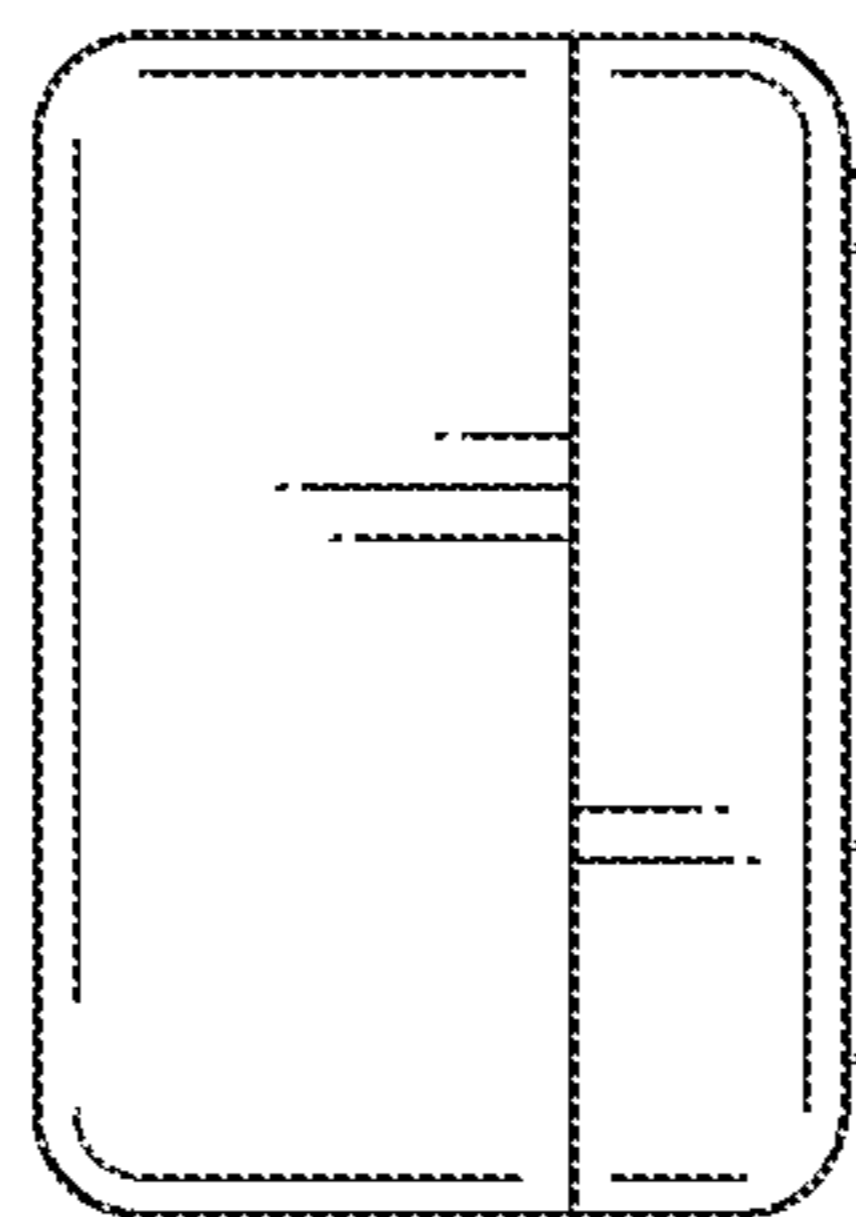


Fig. 7

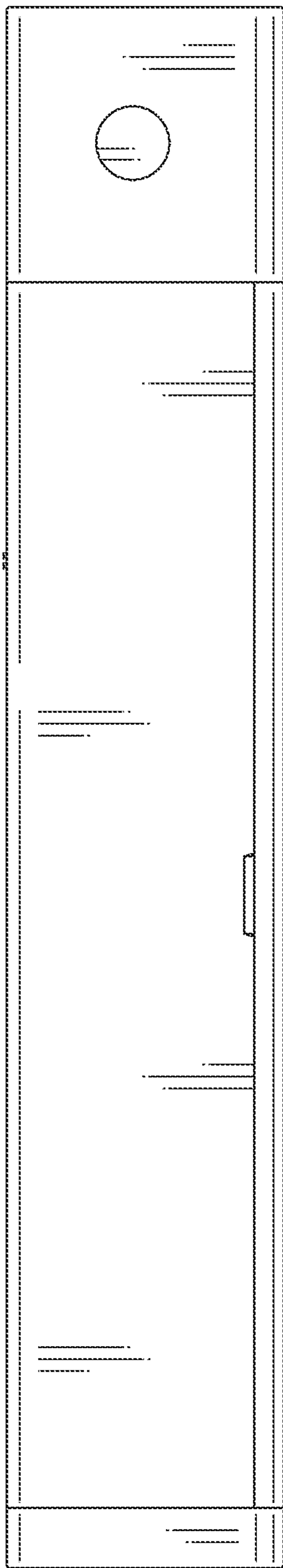


Fig. 8

