



US00D709070S

(12) **United States Design Patent**
Leung et al.

(10) **Patent No.:** **US D709,070 S**
(45) **Date of Patent:** **** Jul. 15, 2014**

(54) **SMART PEN**

(56) **References Cited**

(71) Applicant: **Livescribe Inc.**, Oakland, CA (US)

U.S. PATENT DOCUMENTS

(72) Inventors: **Chi Kin Benjamin Leung**, San Jose, CA (US); **Christopher Wheaton**, San Francisco, CA (US); **Daniel Kendall Harden**, Palo Alto, CA (US); **Kyle Andrew Buzzard**, San Francisco, CA (US)

D342,087	S	*	12/1993	Mear et al.	D19/36
D500,790	S	*	1/2005	Jaakkola	D19/43
D595,719	S	*	7/2009	Hu	D14/411
7,671,850	B2	*	3/2010	Fermgard	345/179
D613,738	S	*	4/2010	Daniel	D14/346
D658,183	S	*	4/2012	Avery	D14/411
8,360,669	B2	*	1/2013	Underwood et al.	401/195
8,366,338	B2	*	2/2013	Underwood et al.	401/195
D686,618	S	*	7/2013	Wilson et al.	D14/411
2003/0118394	A1	*	6/2003	King et al.	401/195

(73) Assignee: **Livescribe Inc.**, Oakland, CA (US)

* cited by examiner

(**) Term: **14 Years**

Primary Examiner — Austin Murphy

(21) Appl. No.: **29/483,634**

(74) *Attorney, Agent, or Firm* — Fenwick & West LLP

(22) Filed: **Feb. 28, 2014**

(57) **CLAIM**

The ornamental design for a smart pen, as shown and described.

Related U.S. Application Data

DESCRIPTION

(63) Continuation of application No. 29/470,757, filed on Oct. 24, 2013.

(51) **LOC (10) Cl.** **14-02**

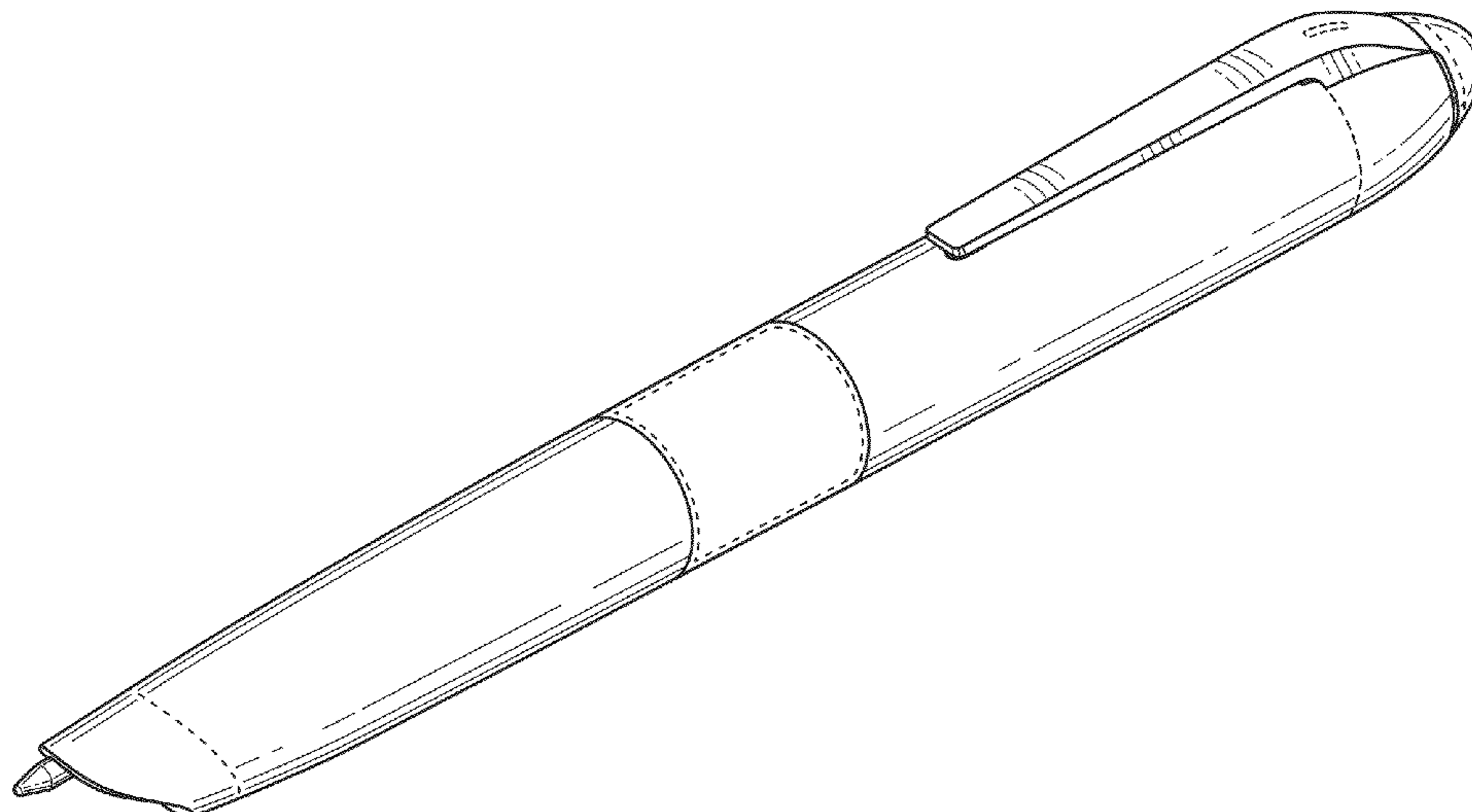
(52) **U.S. Cl.**
USPC **D14/411**

(58) **Field of Classification Search**
USPC D8/61; D14/411; D19/35, 36, 41-51, D19/54-58; 401/55, 99, 100, 104-107, 196, 401/197, 202, 208, 209, 213, 192, 195, 401/243; 708/107; 345/179, 173; 178/19.01; 700/94

FIG. 1 is a front and right side perspective view of a smart pen showing our new design;
FIG. 2 is a back and left side perspective view thereof;
FIG. 3 is a right side perspective view thereof;
FIG. 4 is a front perspective view thereof;
FIG. 5 is a bottom perspective view thereof;
FIG. 6 is a top perspective view thereof;
FIG. 7 is a right and back side perspective view thereof, with detached top cap; and,
FIG. 8 is a close-up view of the detached top cap thereof.
Any broken lines in the drawings are included for the purpose of illustrating environmental structure and form no part of the claimed design.

See application file for complete search history.

1 Claim, 6 Drawing Sheets



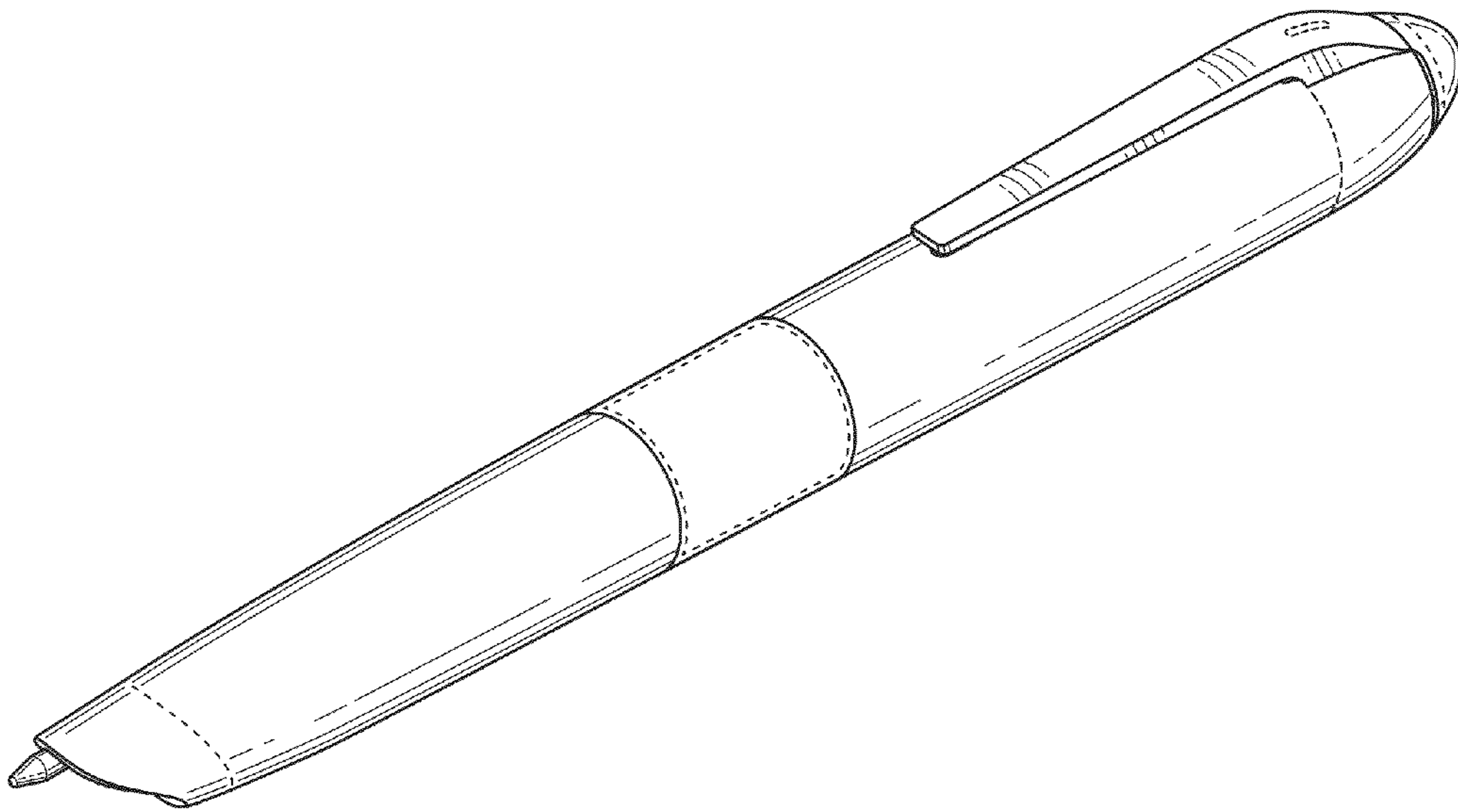


FIG. 1

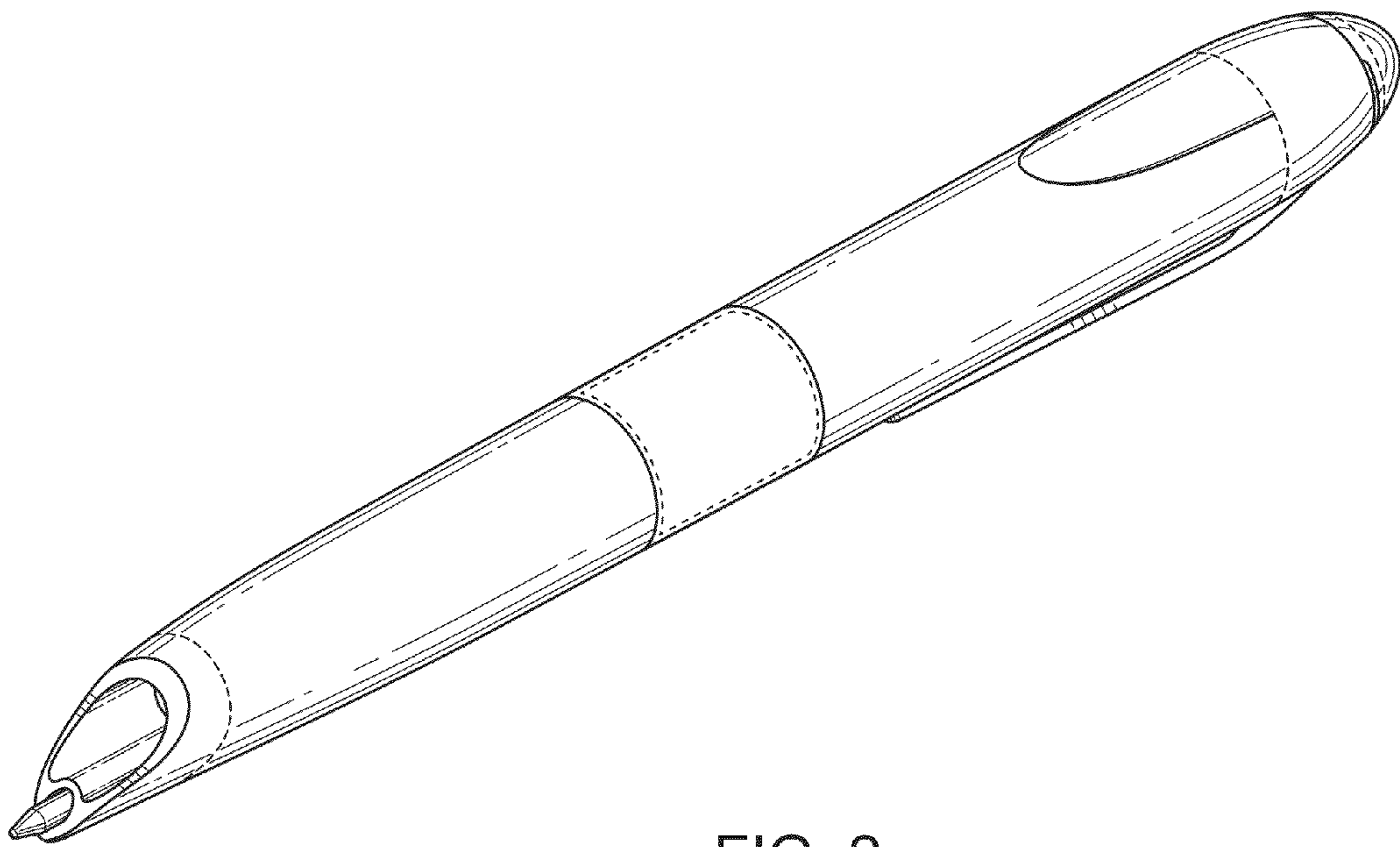


FIG. 2

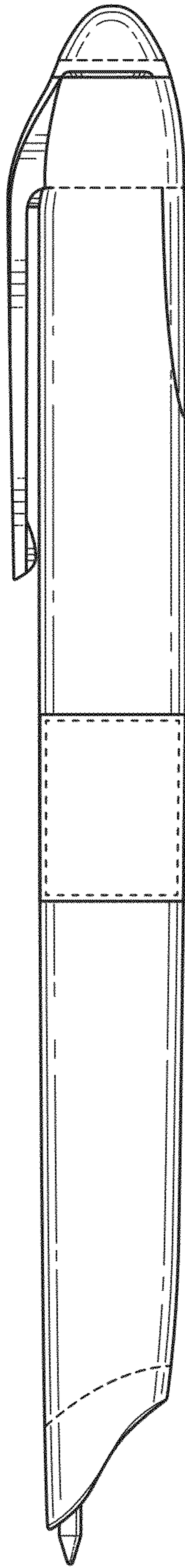


FIG. 3

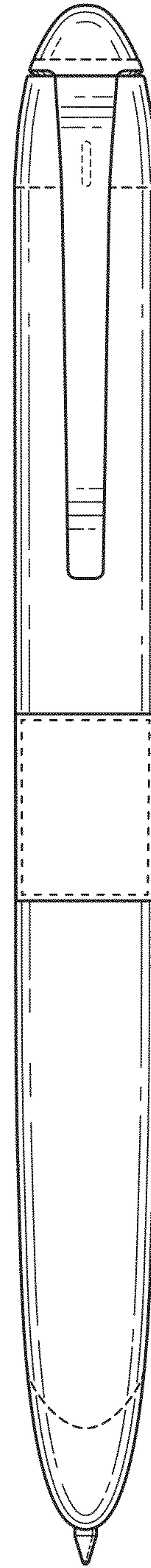


FIG. 4

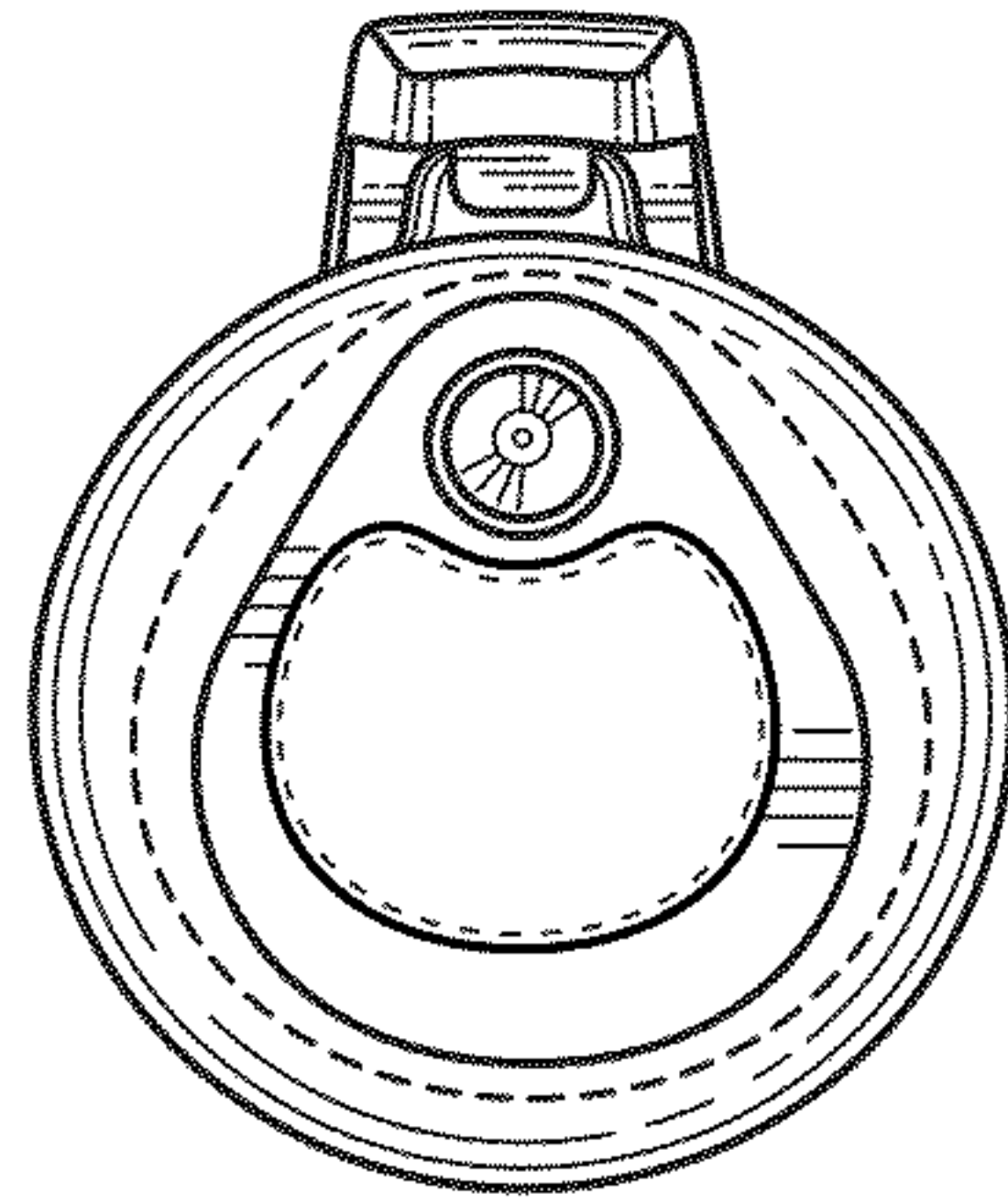


FIG. 5

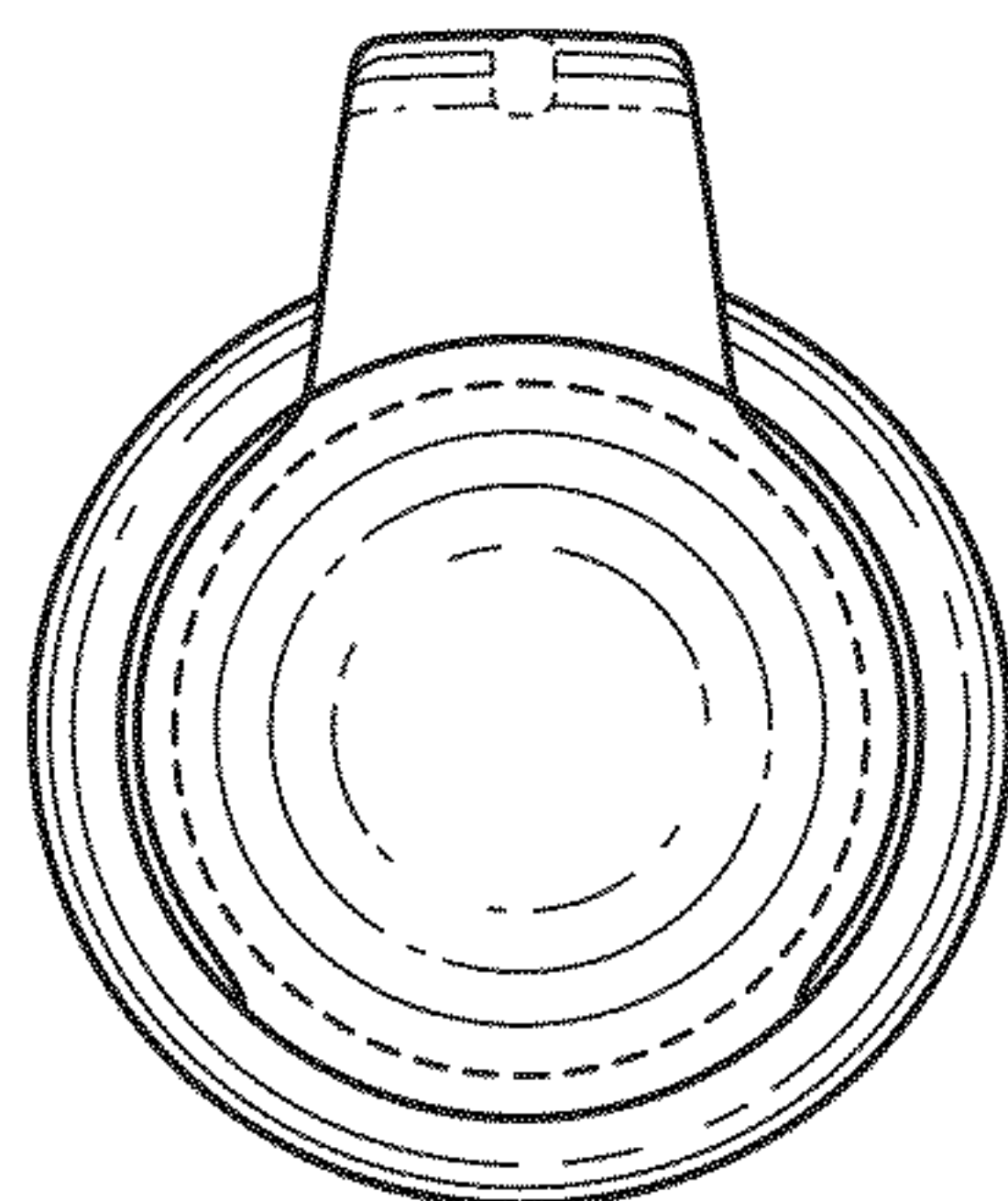


FIG. 6

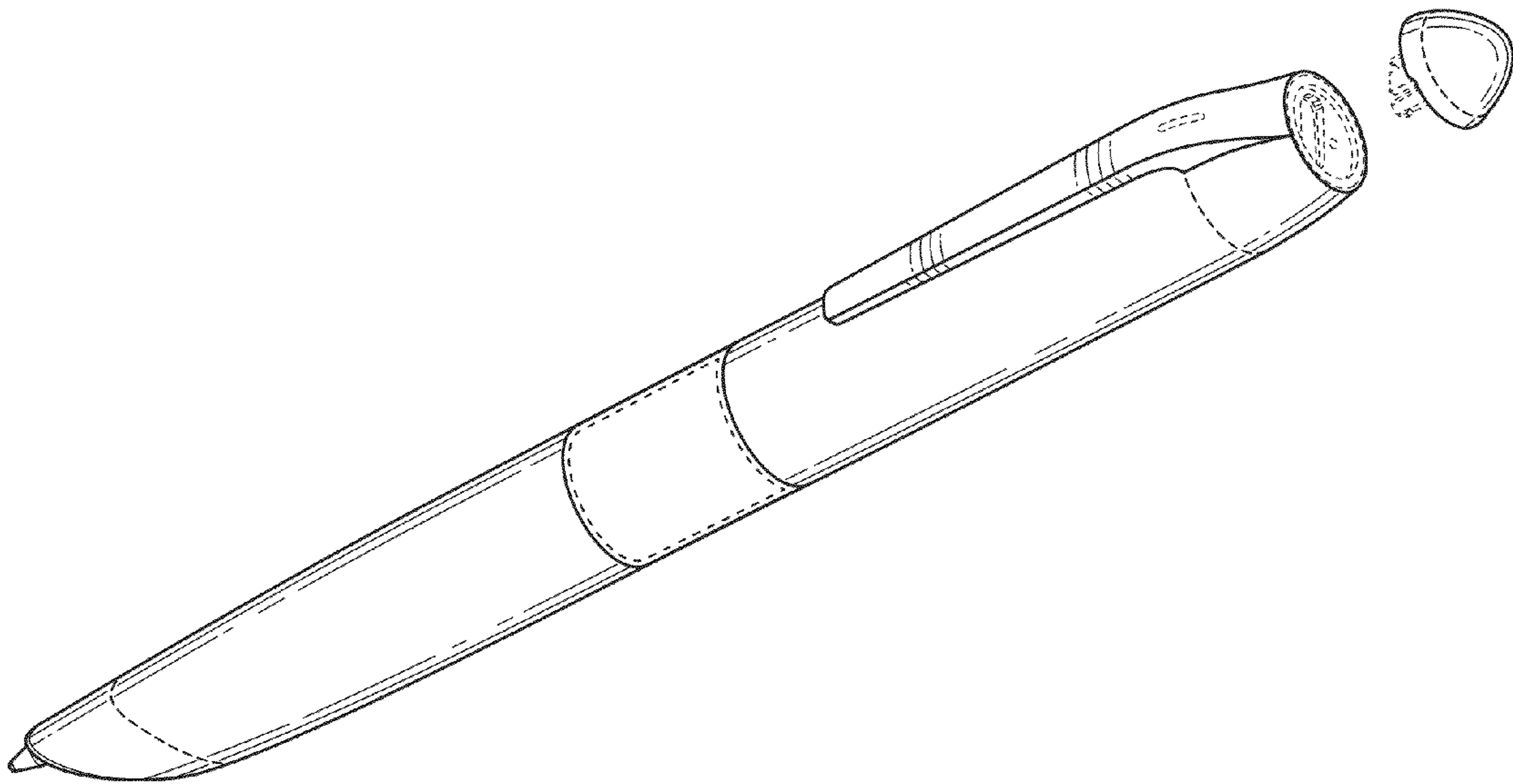


FIG. 7

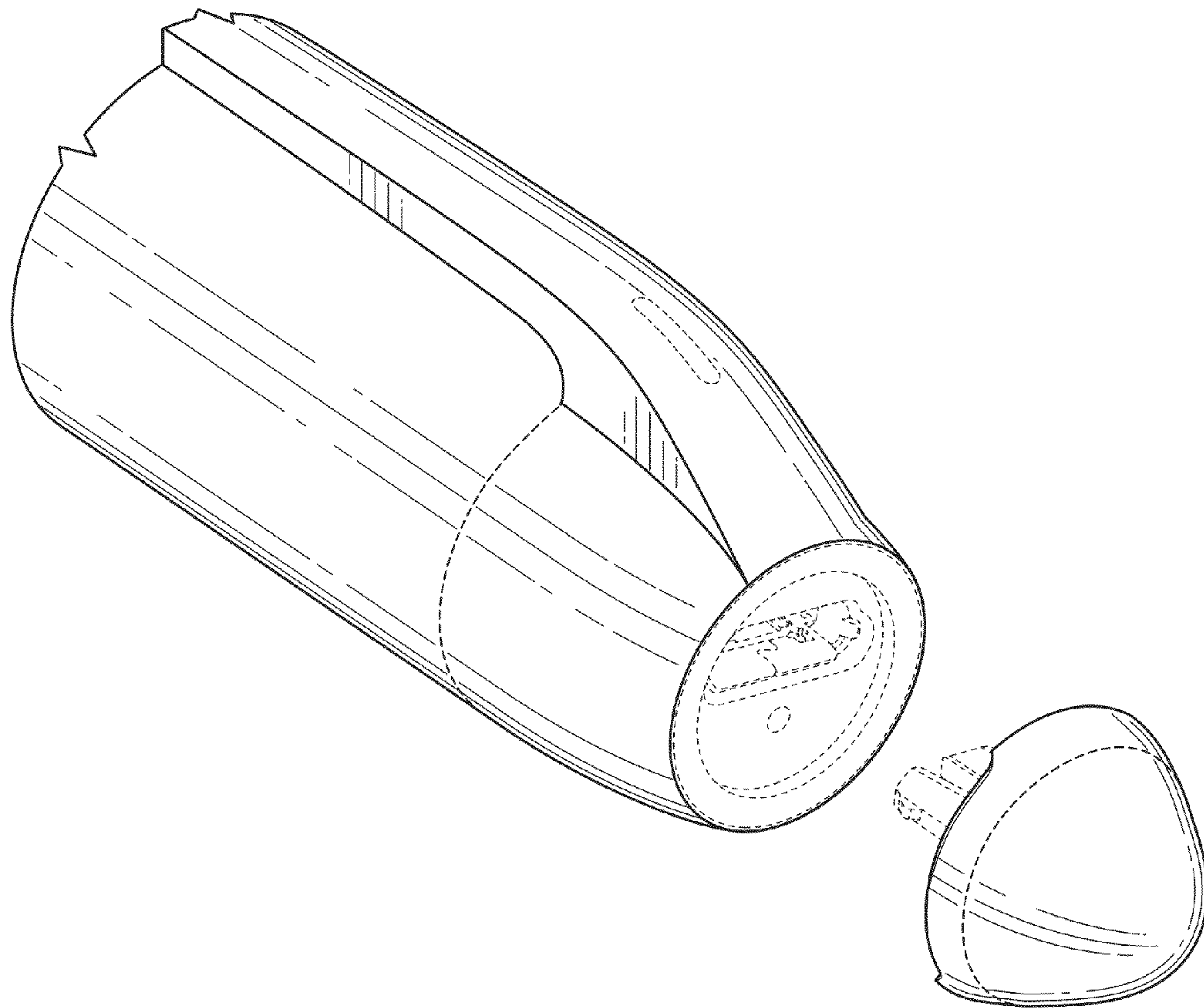


FIG. 8