

US00D709068S

(12) **United States Design Patent**
Kurihara

(10) **Patent No.:** **US D709,068 S**

(45) **Date of Patent:** **** Jul. 15, 2014**

(54) **DISPLAY**

(71) Applicant: **NEC Display Solutions, Ltd.**, Tokyo (JP)

(72) Inventor: **Satoshi Kurihara**, Tokyo (JP)

(73) Assignee: **NEC Display Solutions, Ltd.**, Tokyo (JP)

(**) Term: **14 Years**

(21) Appl. No.: **29/441,638**

(22) Filed: **Jan. 8, 2013**

(51) **LOC (10) Cl.** **14-02**

(52) **U.S. Cl.**
USPC **D14/371**

(58) **Field of Classification Search**
CPC B43L 1/04; B43L 1/00
USPC D14/371-375, 125-129, 336, 337;
341/12; 345/104, 156, 168, 173;
348/180, 184, 325, 739; 349/1, 2, 11,
349/62; 361/679.05-679.07, 679.21;
D6/300, 308

See application file for complete search history.

(56) **References Cited**

U.S. PATENT DOCUMENTS

D424,068 S	*	5/2000	Takemasa	D14/374
D467,232 S	*	12/2002	Bong et al.	D14/126
D497,362 S	*	10/2004	Wang et al.	D14/371
D580,934 S	*	11/2008	Hasegawa et al.	D14/371
D678,878 S	*	3/2013	Chiu	D14/371

* cited by examiner

Primary Examiner — Freda S Nunn

(74) *Attorney, Agent, or Firm* — Sughrue Mion, PLLC

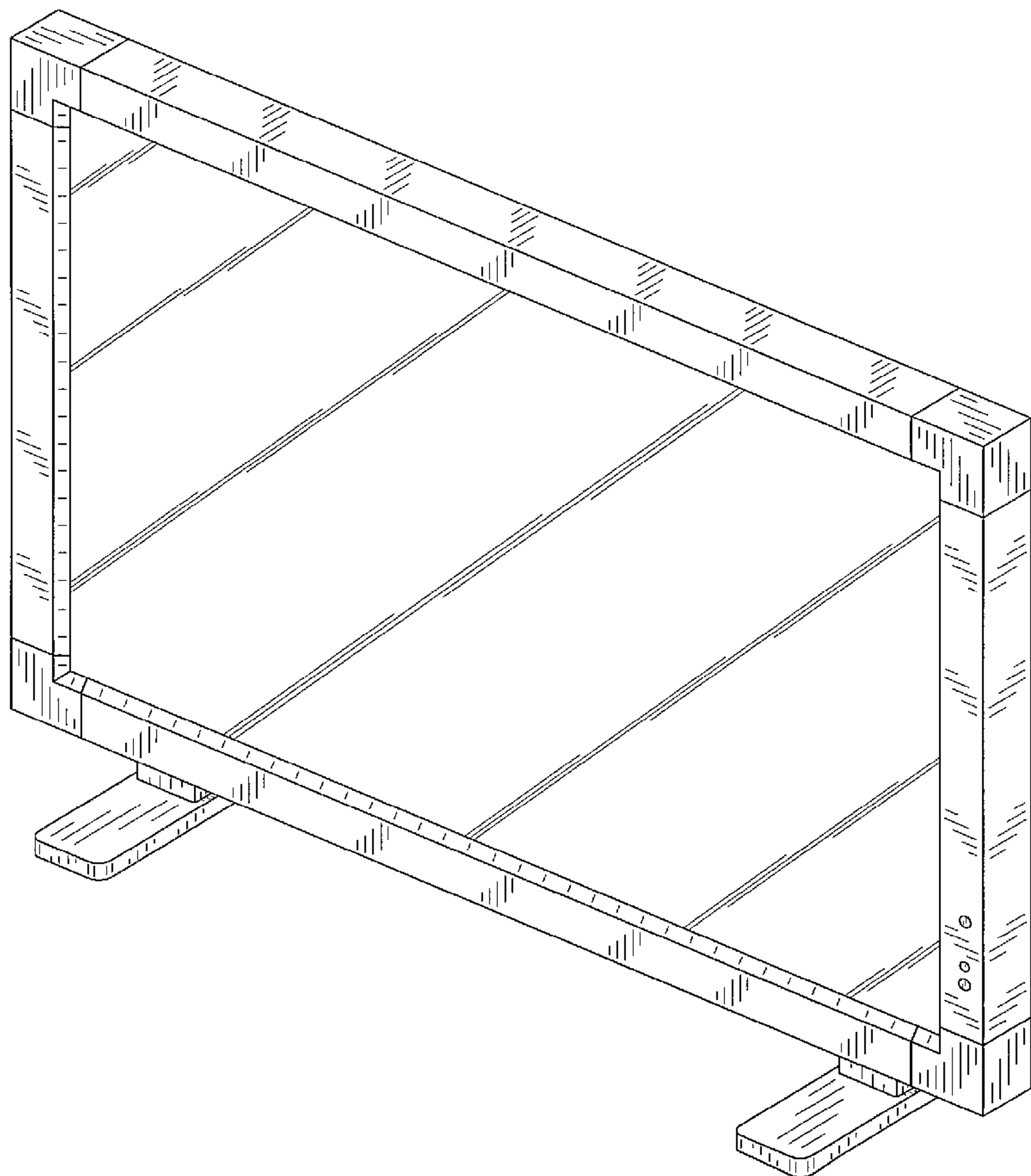
(57) **CLAIM**

The ornamental design for a display, as shown.

DESCRIPTION

FIG. 1 is a front, right side, top perspective view of a display showing my new design;
FIG. 2 is a front elevational view thereof;
FIG. 3 is a rear elevational view thereof;
FIG. 4 is a left side view thereof;
FIG. 5 is a right side view thereof;
FIG. 6 is a top plan view thereof; and,
FIG. 7 is a bottom plan view thereof.

1 Claim, 6 Drawing Sheets



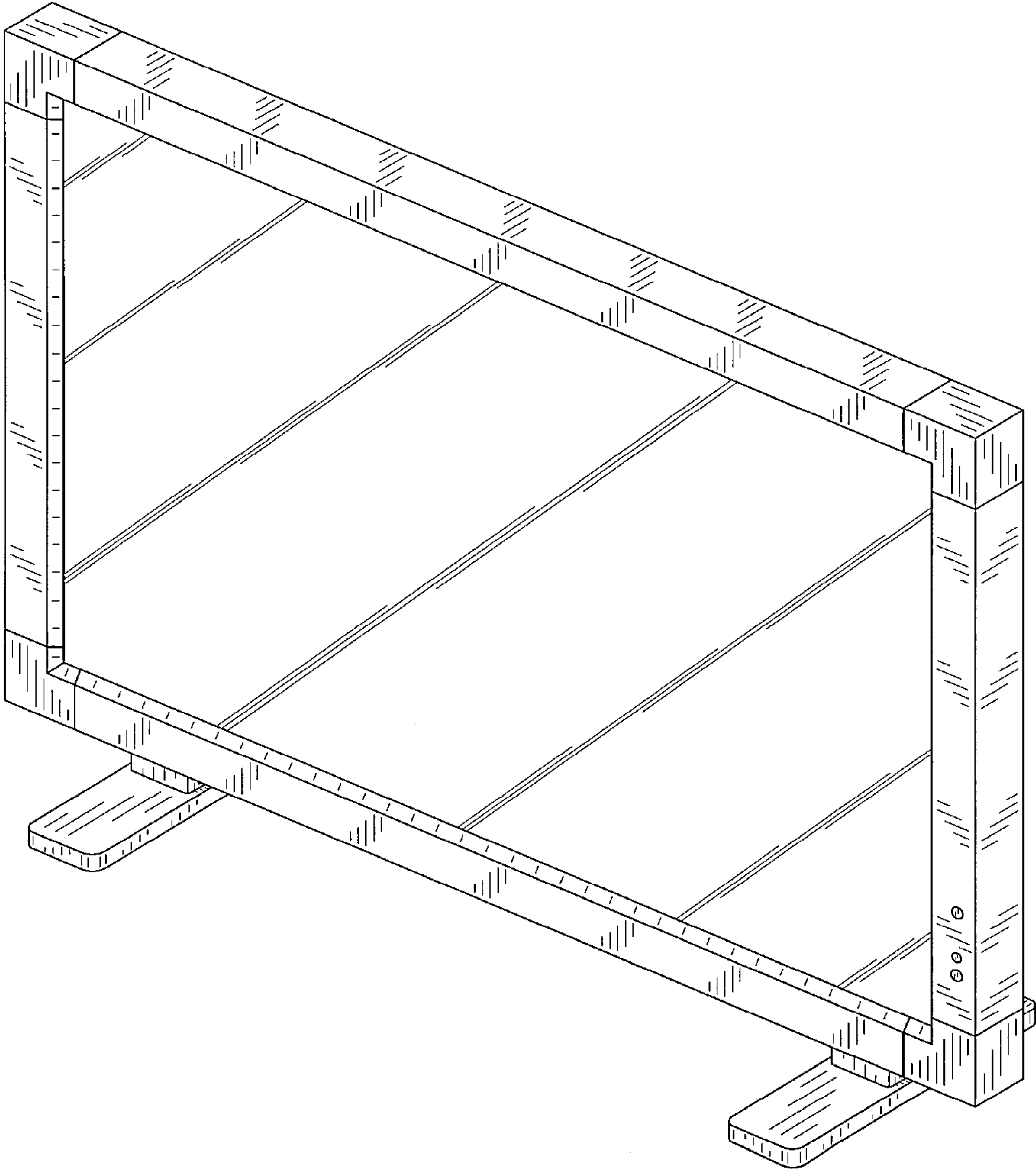


FIG. 1

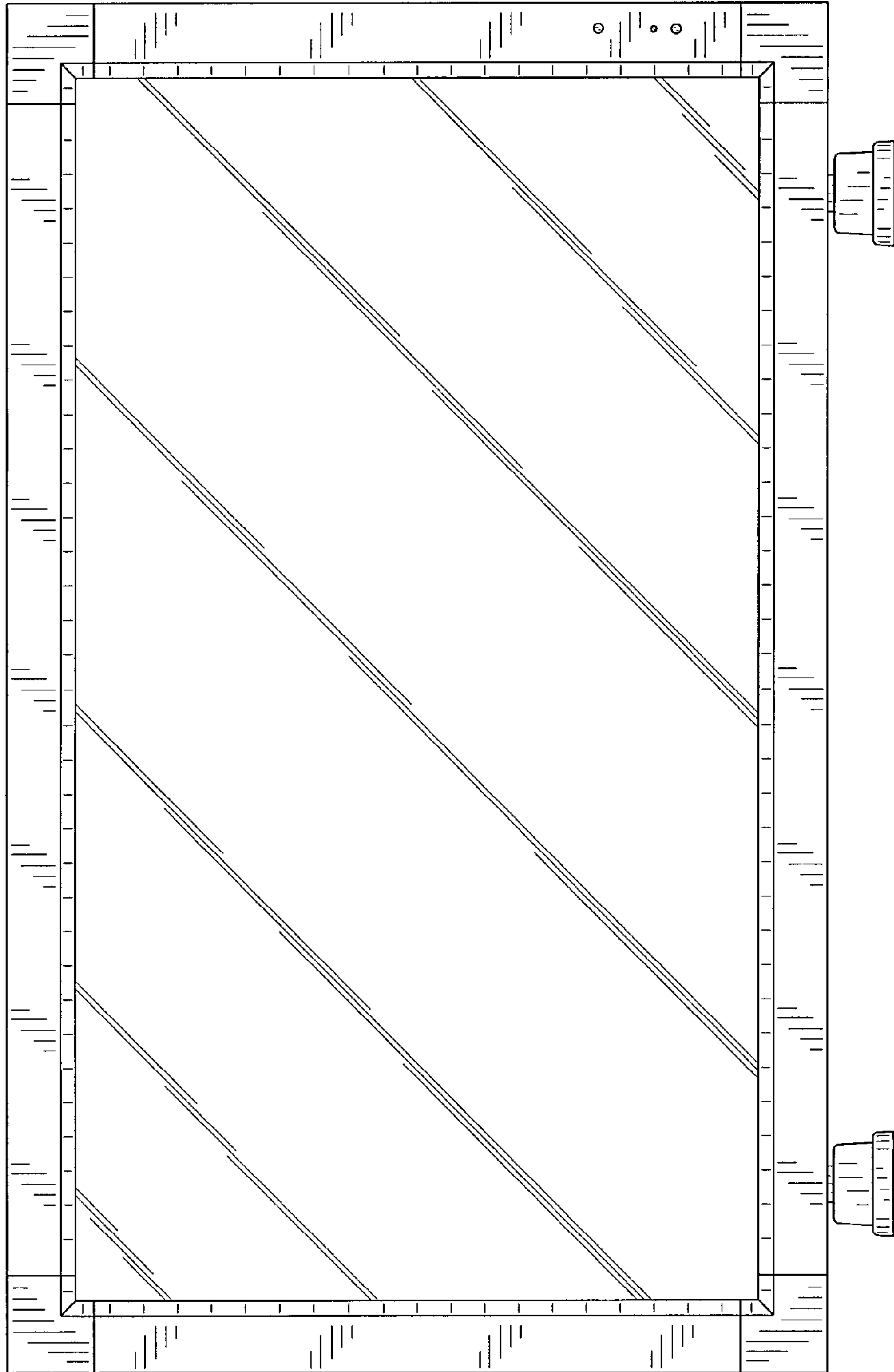


FIG. 2

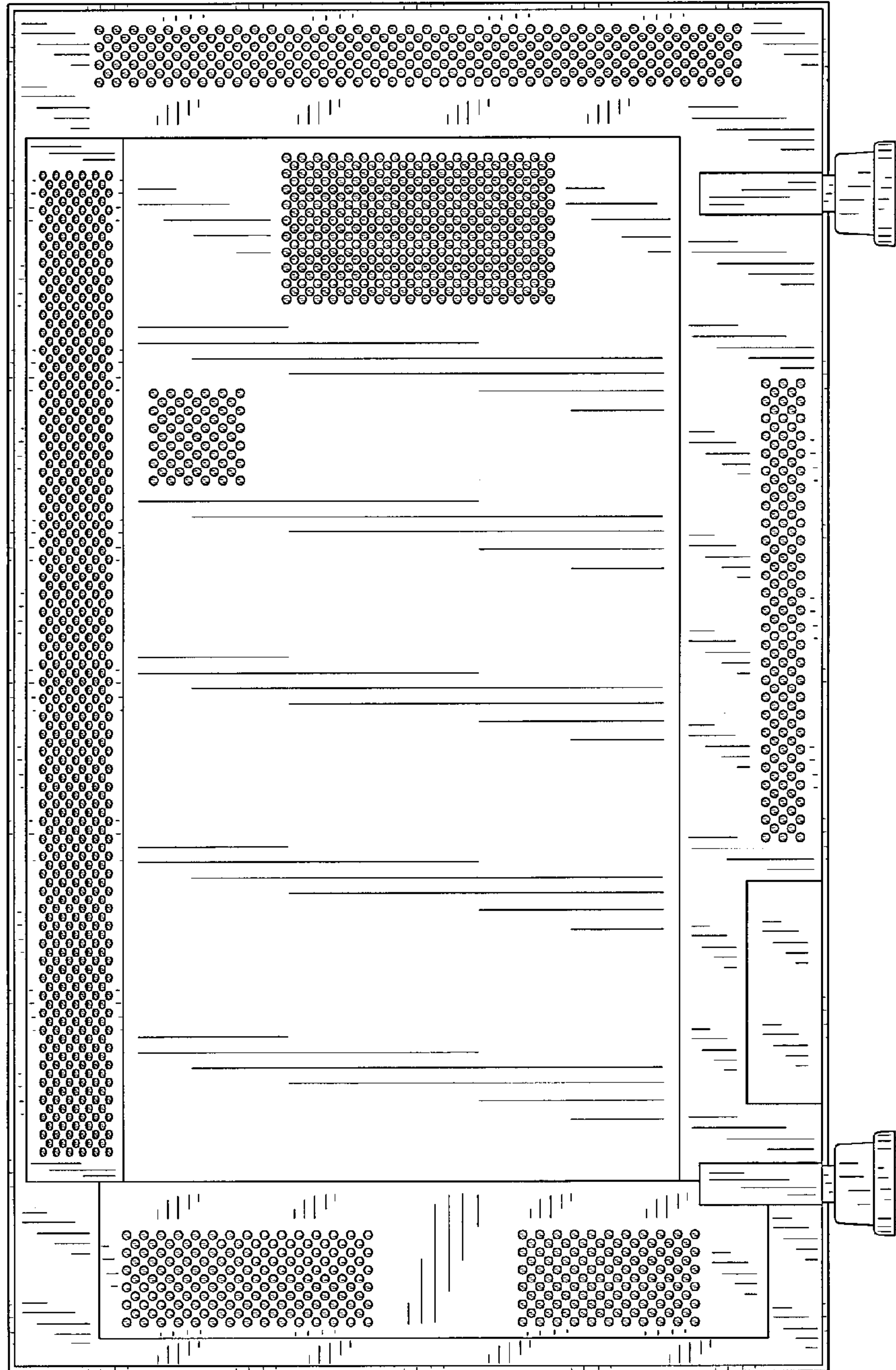


FIG. 3

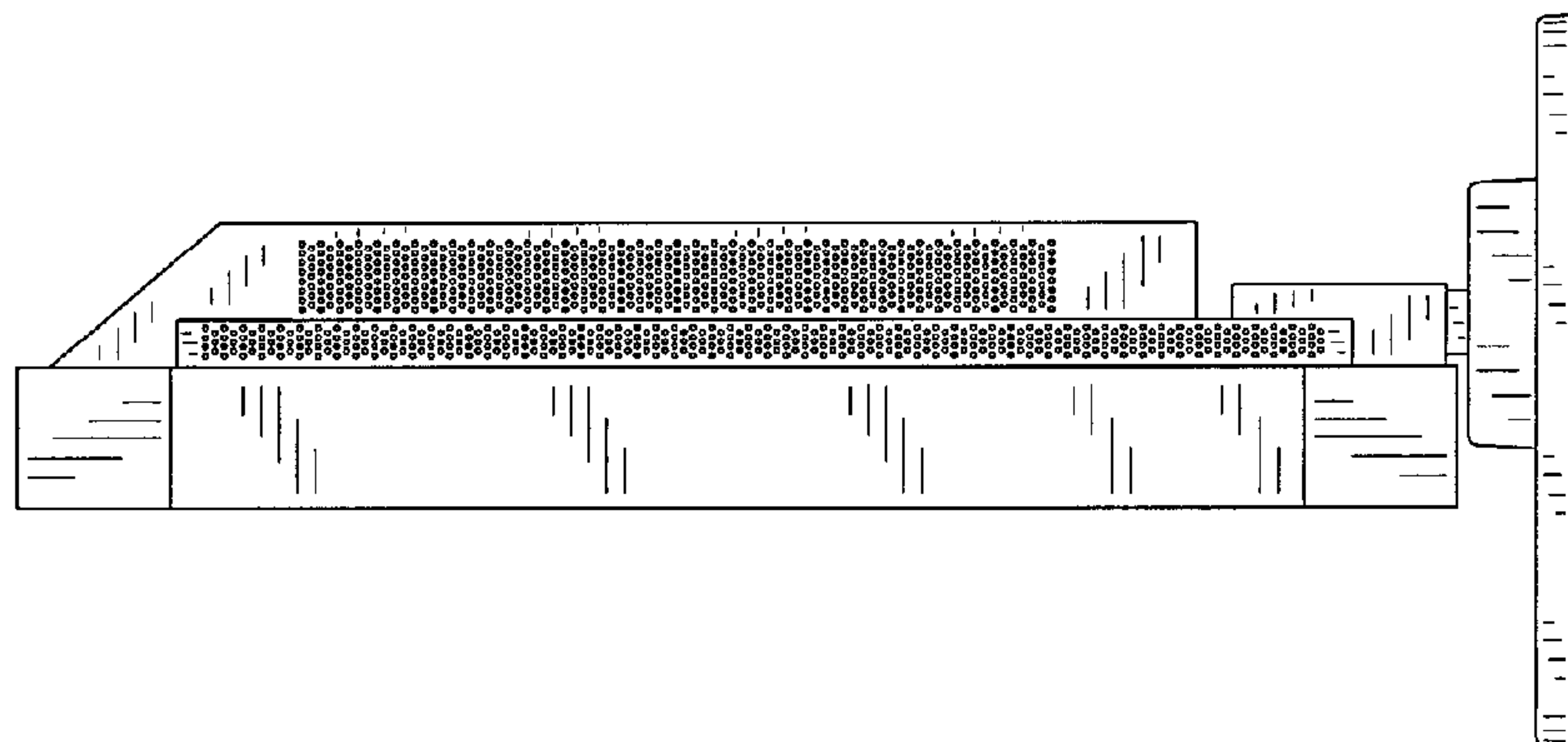


FIG. 5

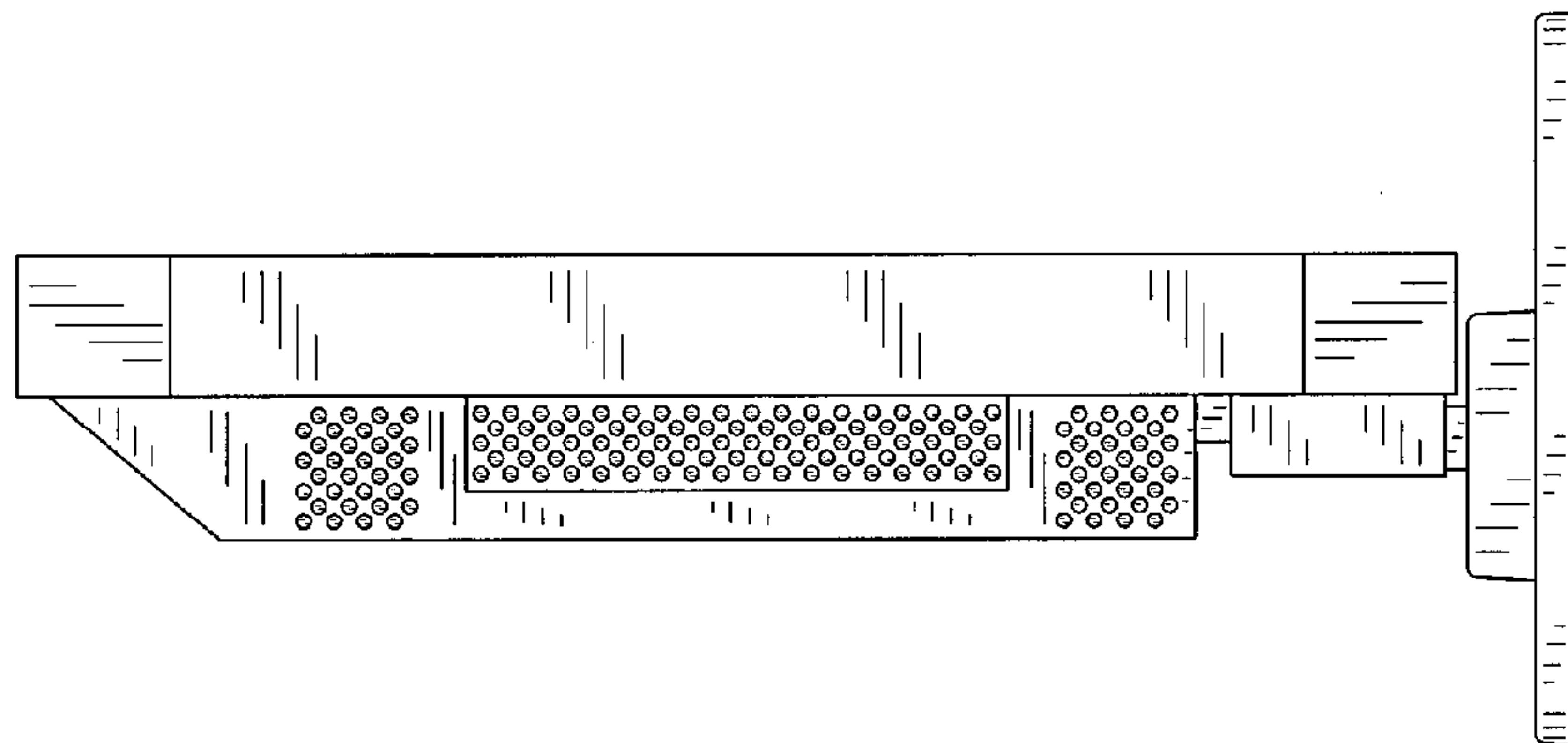


FIG. 4

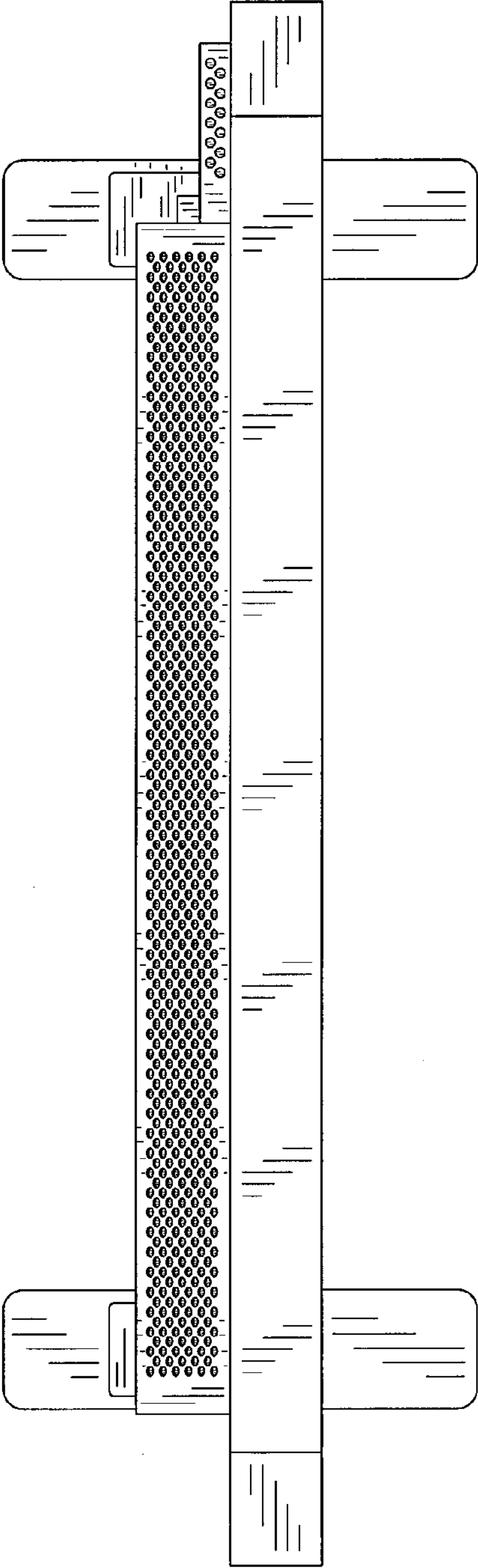


FIG. 6

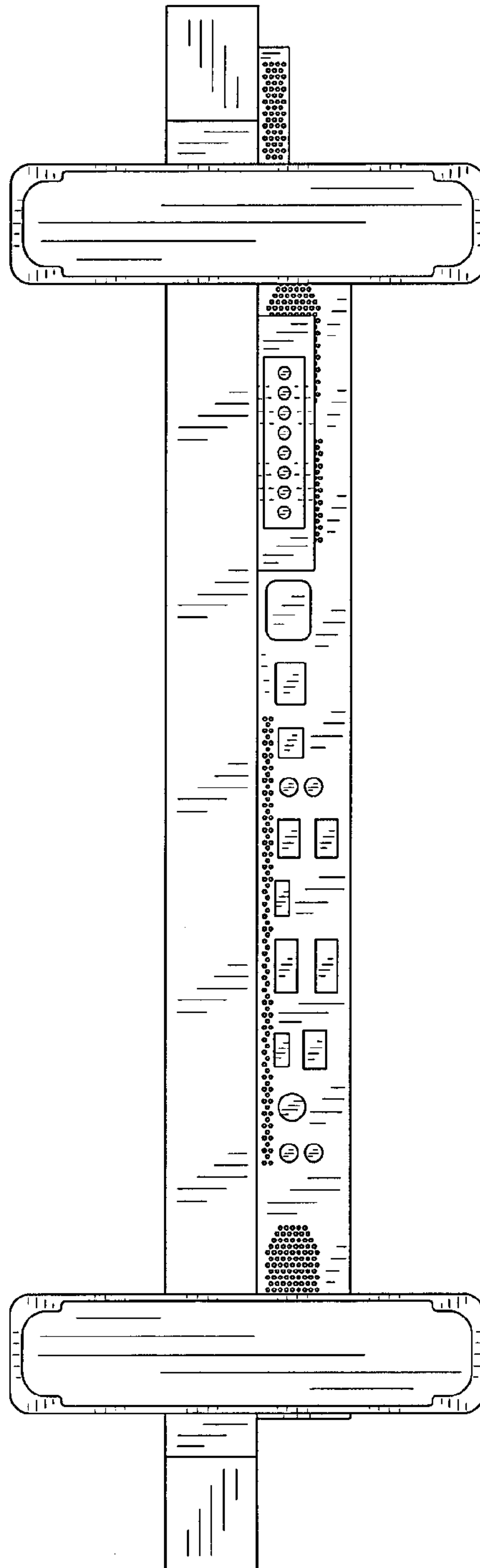


FIG. 7