



US00D709066S

(12) **United States Design Patent**
Byun

(10) **Patent No.:** **US D709,066 S**
(45) **Date of Patent:** **** Jul. 15, 2014**

(54) **MOUNT FOR MOBILE DEVICE**
(71) Applicant: **James Byun**, Brooklyn, NY (US)
(72) Inventor: **James Byun**, Brooklyn, NY (US)
(73) Assignee: **iOttie, Inc.**, New York, NY (US)
(**) Term: **14 Years**
(21) Appl. No.: **29/466,013**

(22) Filed: **Sep. 4, 2013**
(51) **LOC (10) Cl.** **14-03**
(52) **U.S. Cl.**
USPC **D14/253**; D14/447
(58) **Field of Classification Search**
USPC D14/208, 209.1, 217, 238.1, 243,
D14/250-253, 434, 440, 447, 496,
D14/203.3-203.7, 248, 240, 341-347;
D3/201, 215, 218, 226, 269, 273, 301,
D3/303; D19/90; D6/553; 455/575.1,
455/575.8; 206/305, 320; 320/108, 115;
429/96; 220/4.02; 150/165;
361/679.56, 679.3, 679.25, 816;
379/426, 446, 455, 433.1; 248/309.1,
248/371, 176.3, 668; 224/411; D12/223,
D12/407

See application file for complete search history.

(56) **References Cited**

U.S. PATENT DOCUMENTS

D499,092 S * 11/2004 Fan D14/253
D570,836 S * 6/2008 Chen D14/253
D646,674 S * 10/2011 Liao D14/253
D694,228 S * 11/2013 Richter D14/253

D696,259 S * 12/2013 Howarth et al. D14/447
D703,657 S * 4/2014 Carnevali D14/253
D704,199 S * 5/2014 Byun D14/447

* cited by examiner

Primary Examiner — Susan Bennett Hattan
Assistant Examiner — Janice Hallmark

(57) **CLAIM**

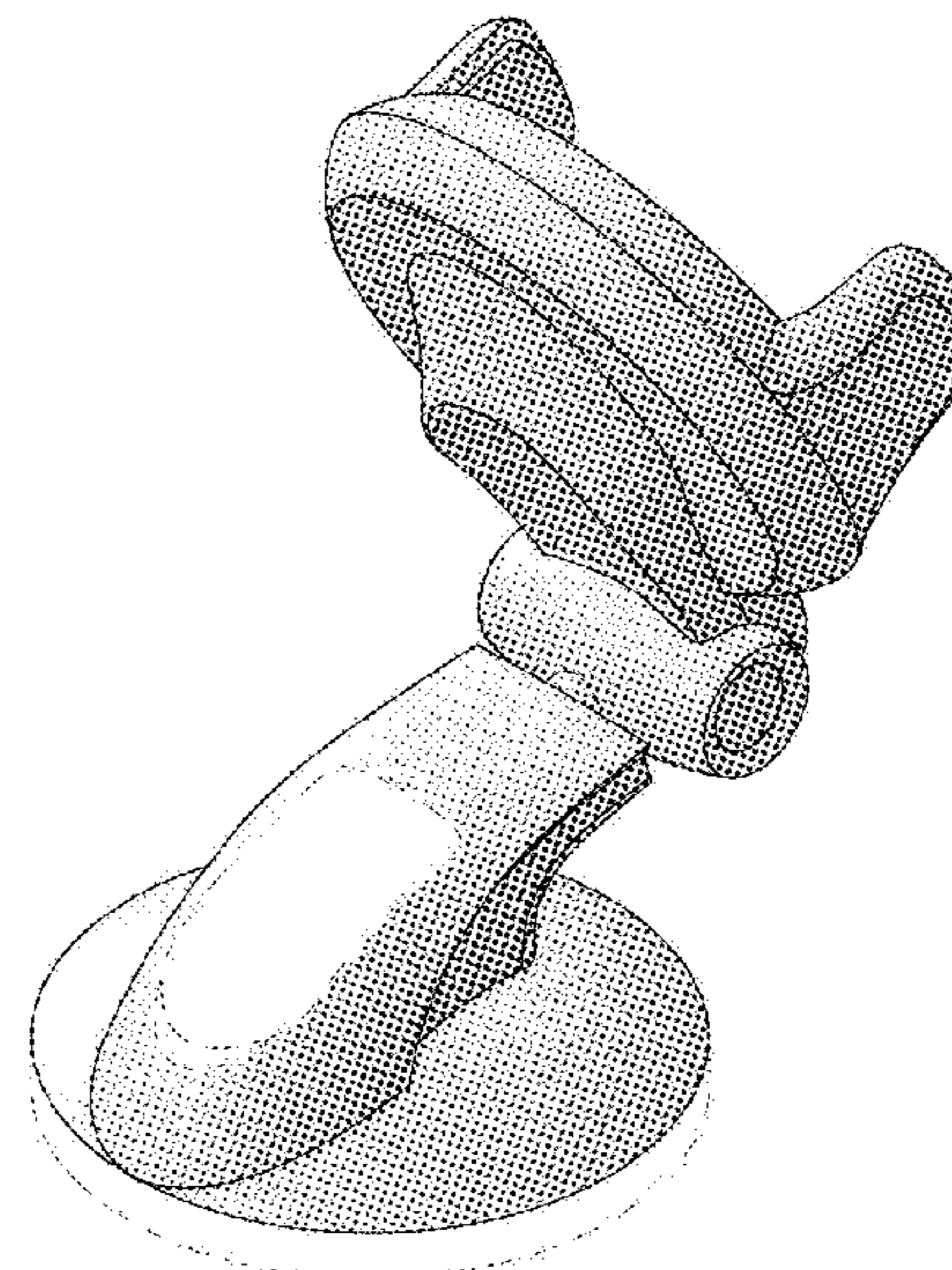
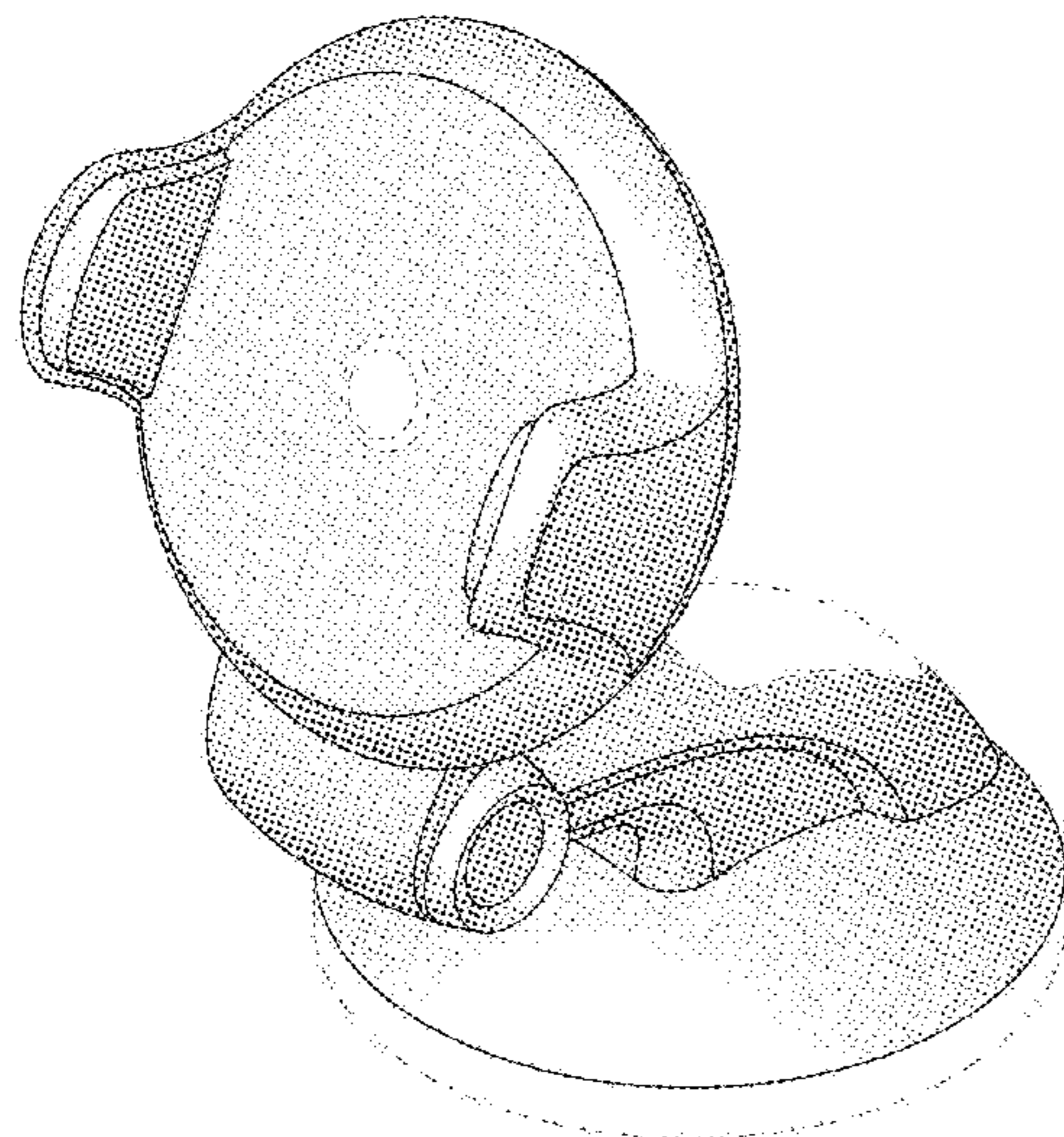
The ornamental design for a mount for mobile device, as shown and described.

DESCRIPTION

FIG. 1 is a front isometric view of a mount for mobile device showing our new design;
FIG. 2 is a rear isometric view thereof;
FIG. 3 is a front side view thereof;
FIG. 4 is a rear side view thereof;
FIG. 5 is a left side view thereof, the right side being a mirror image;
FIG. 6 is a top side view thereof;
FIG. 7 is a bottom side view thereof;
FIG. 8 is a front isometric view of the mount for mobile device in a folded position;
FIG. 9 is a rear isometric view thereof;
FIG. 10 is a front side view thereof;
FIG. 11 is a rear side view thereof;
FIG. 12 is a left side view thereof, the right side being a mirror image;
FIG. 13 is a top side view thereof; and,
FIG. 14 is a rear side view thereof.

The broken lines immediately adjacent to the shaded area represent unclaimed boundaries of the design. All other broken lines in the Figures show portions of the mount for mobile device for environmental purposes only and form no part of the claimed design.

1 Claim, 14 Drawing Sheets



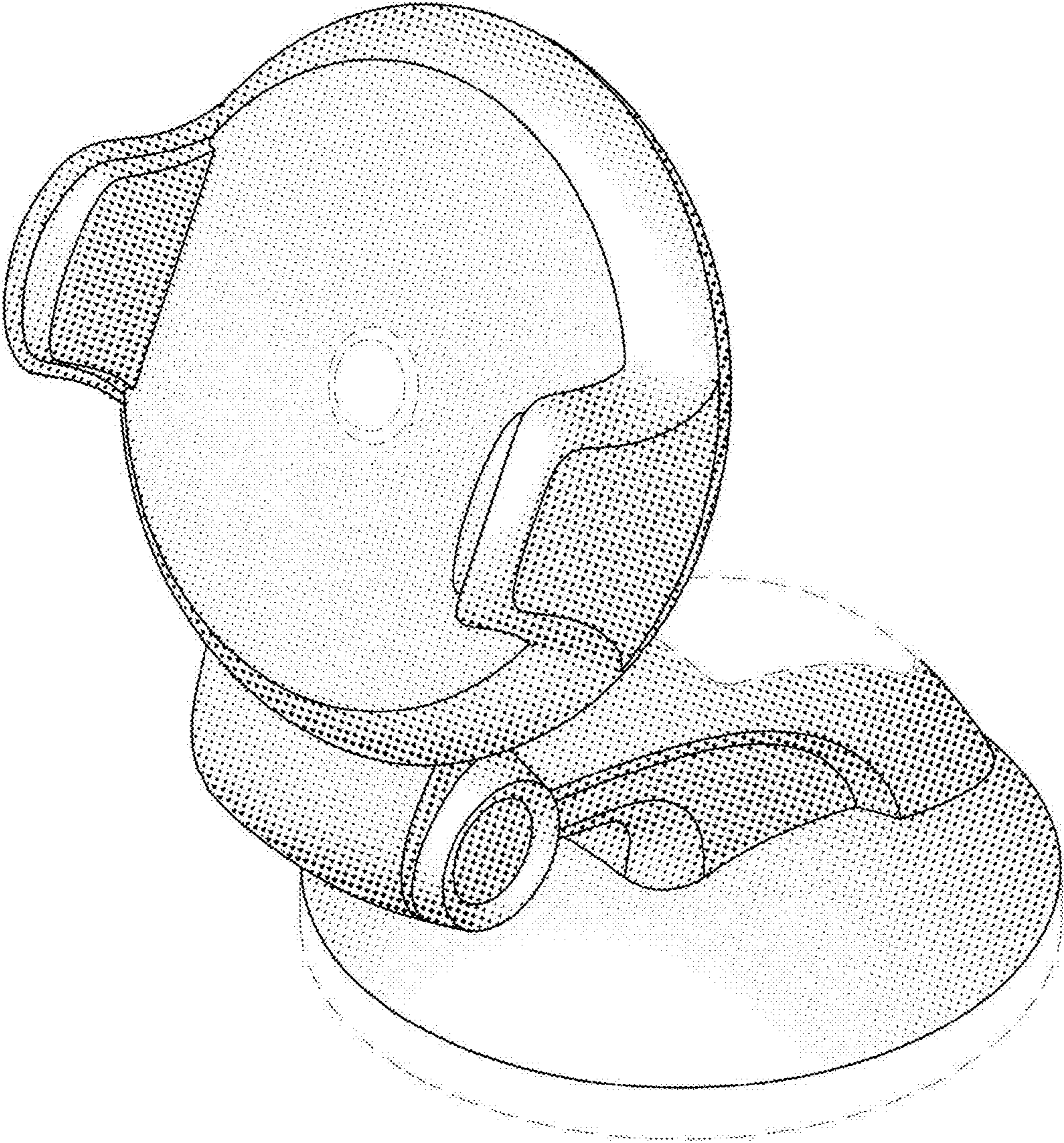


FIGURE 1

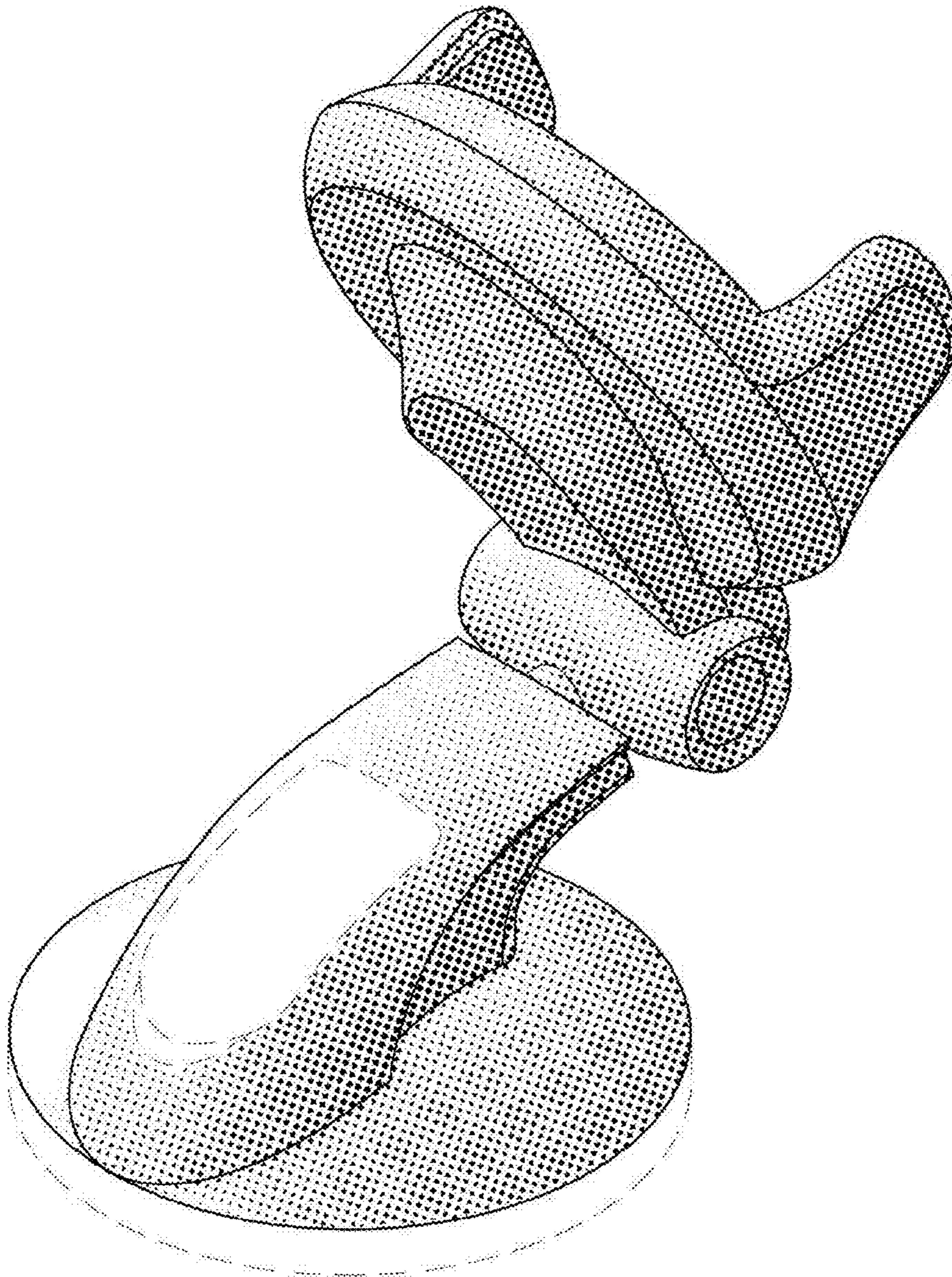


FIGURE 2

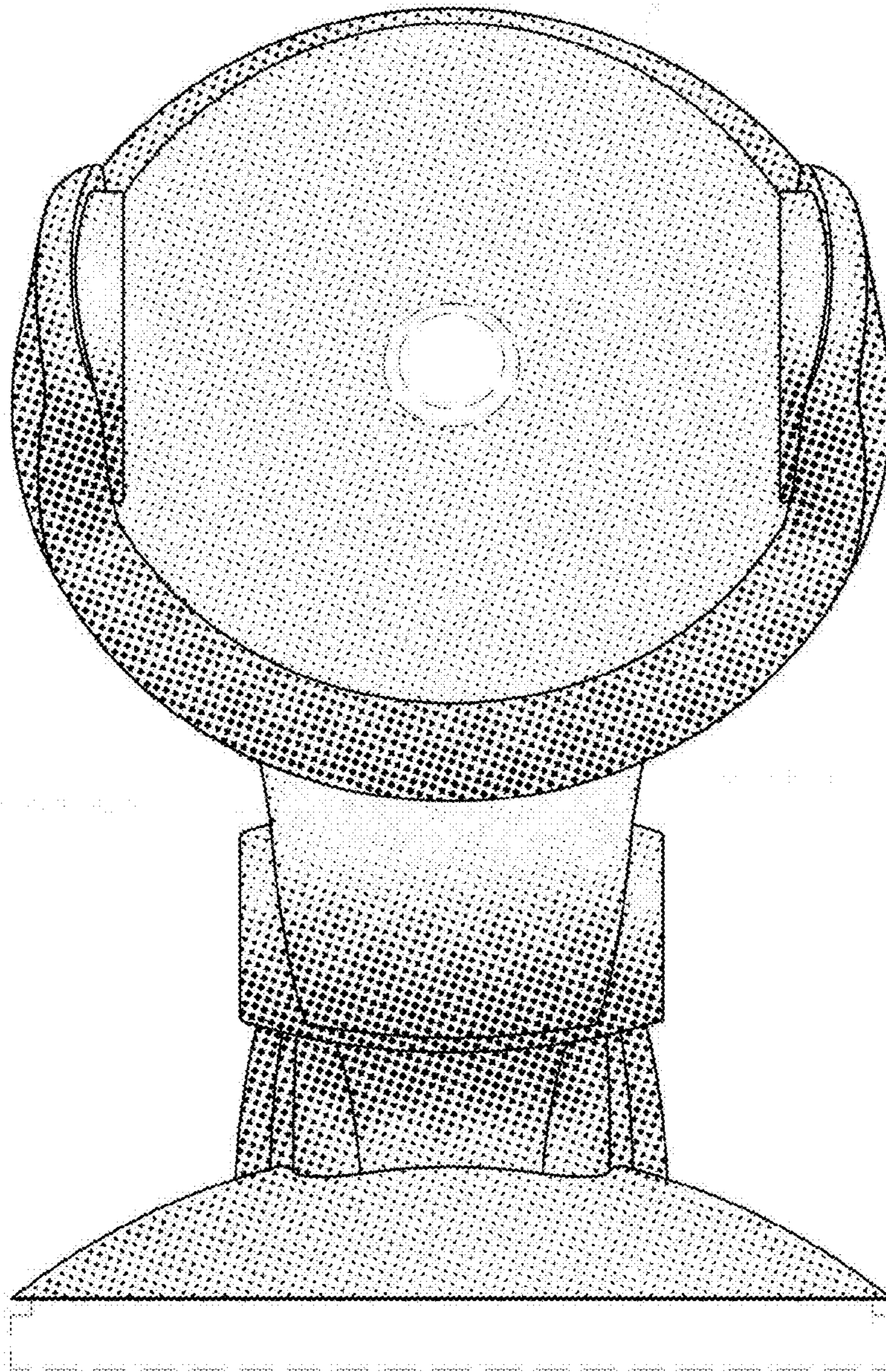


FIGURE 3

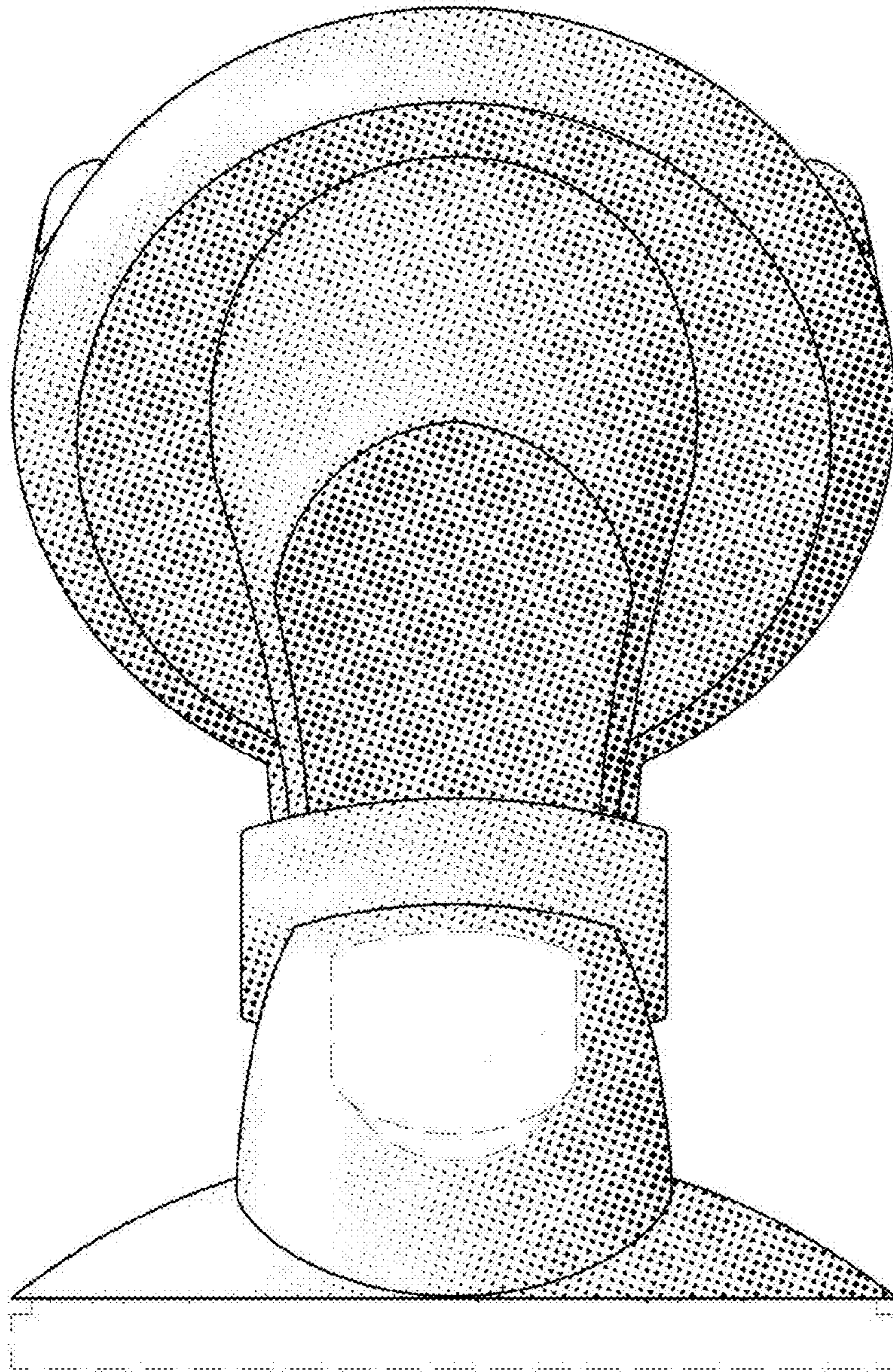


FIGURE 4

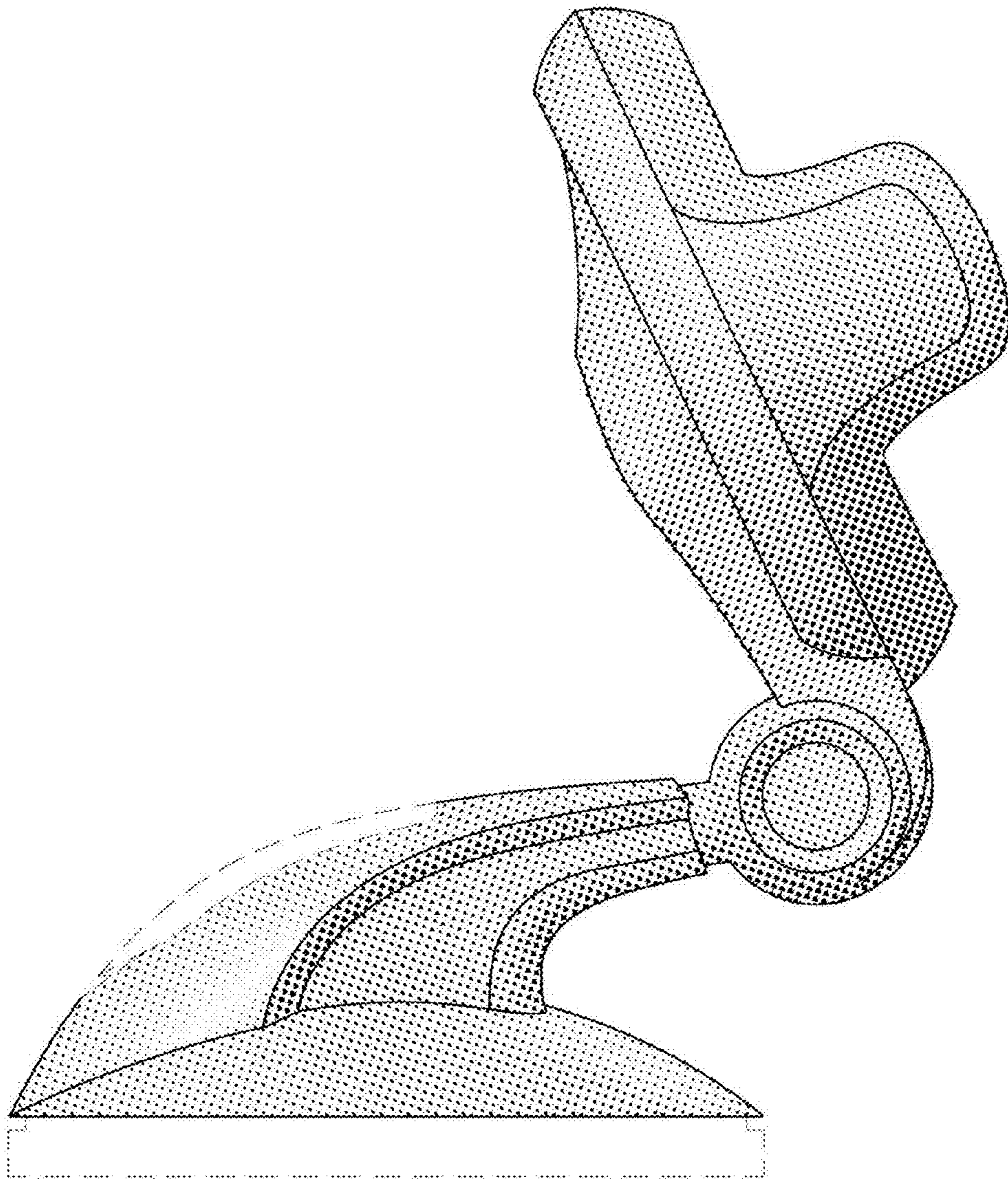


FIGURE 5

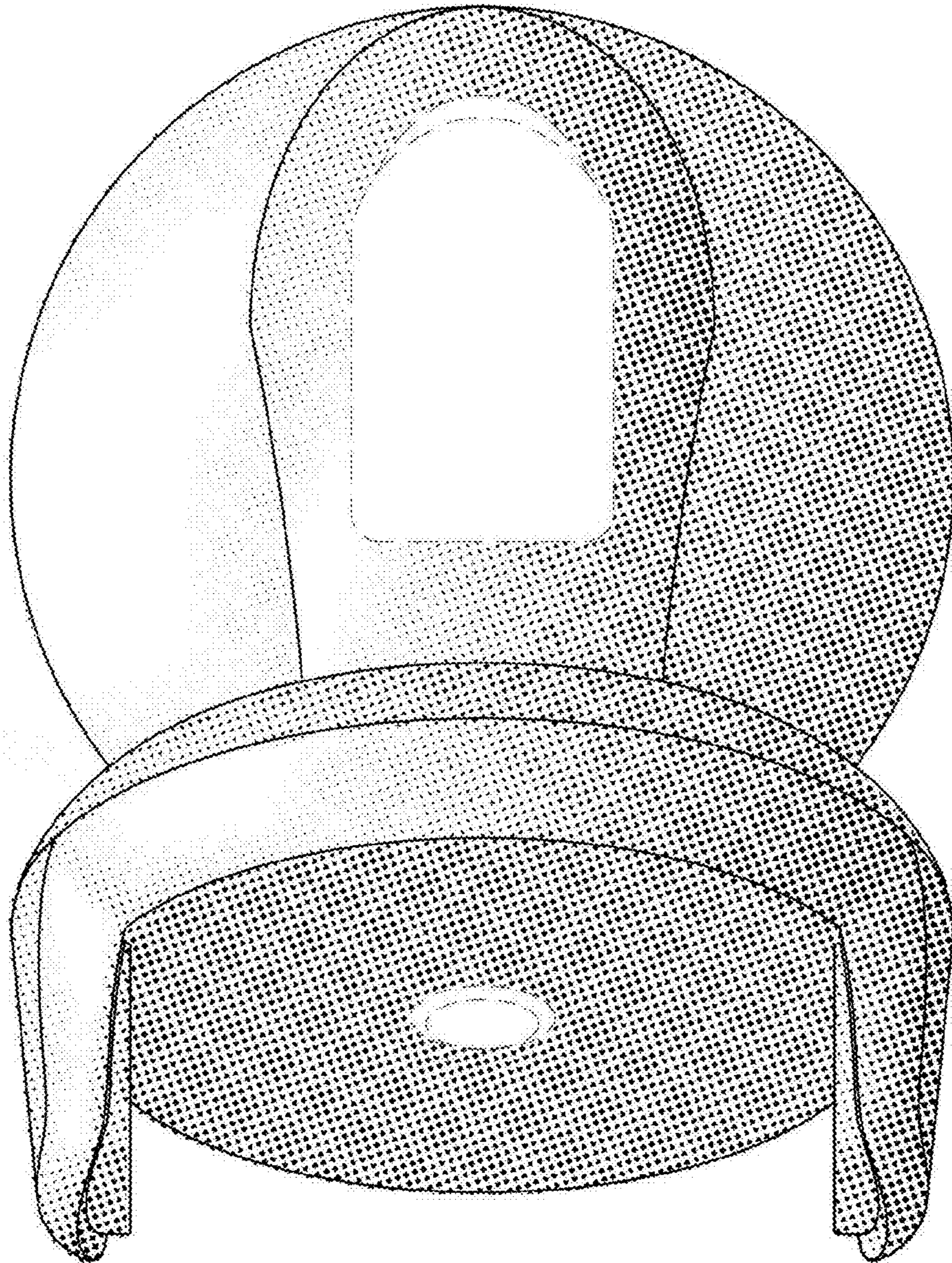


FIGURE 6

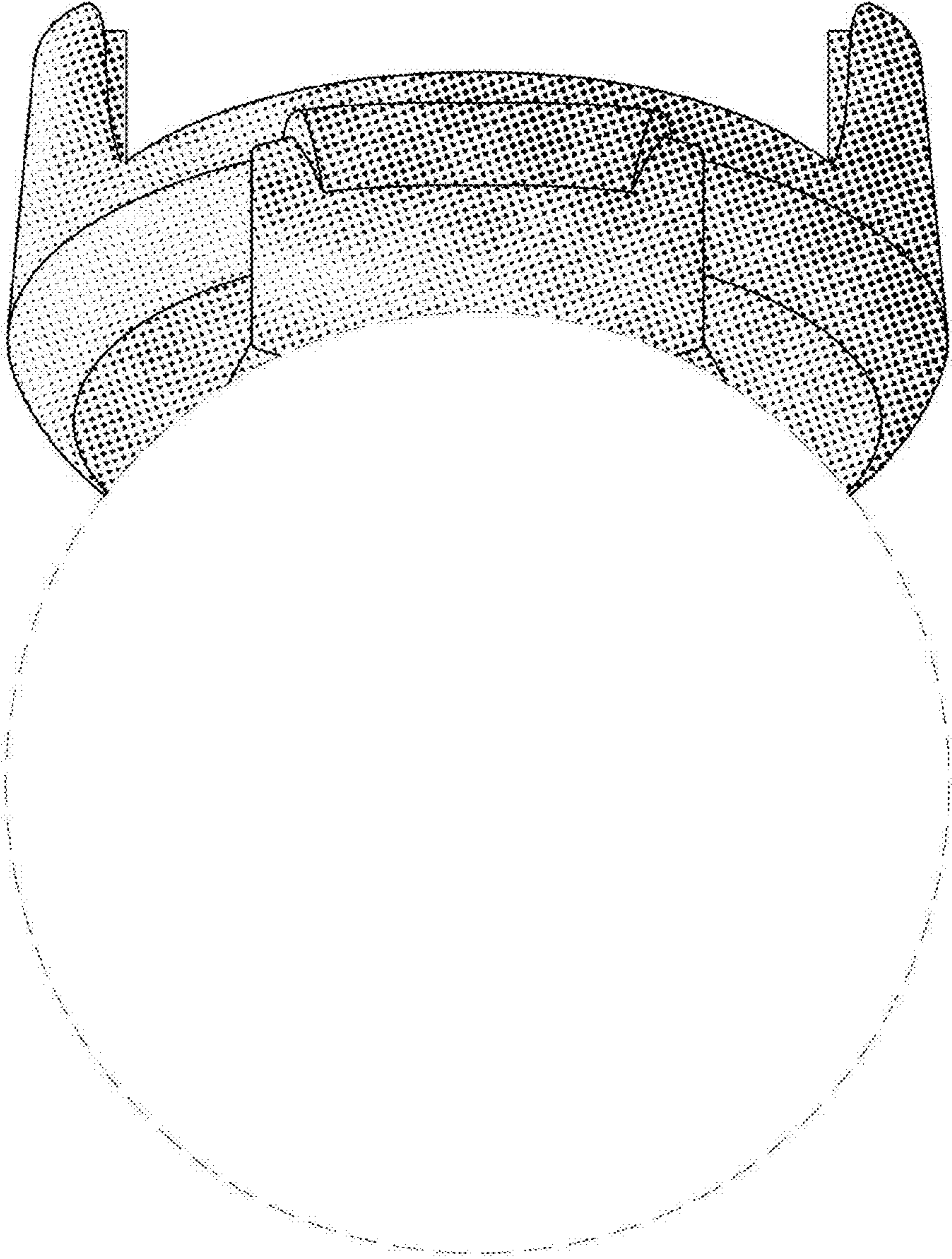


FIGURE 7

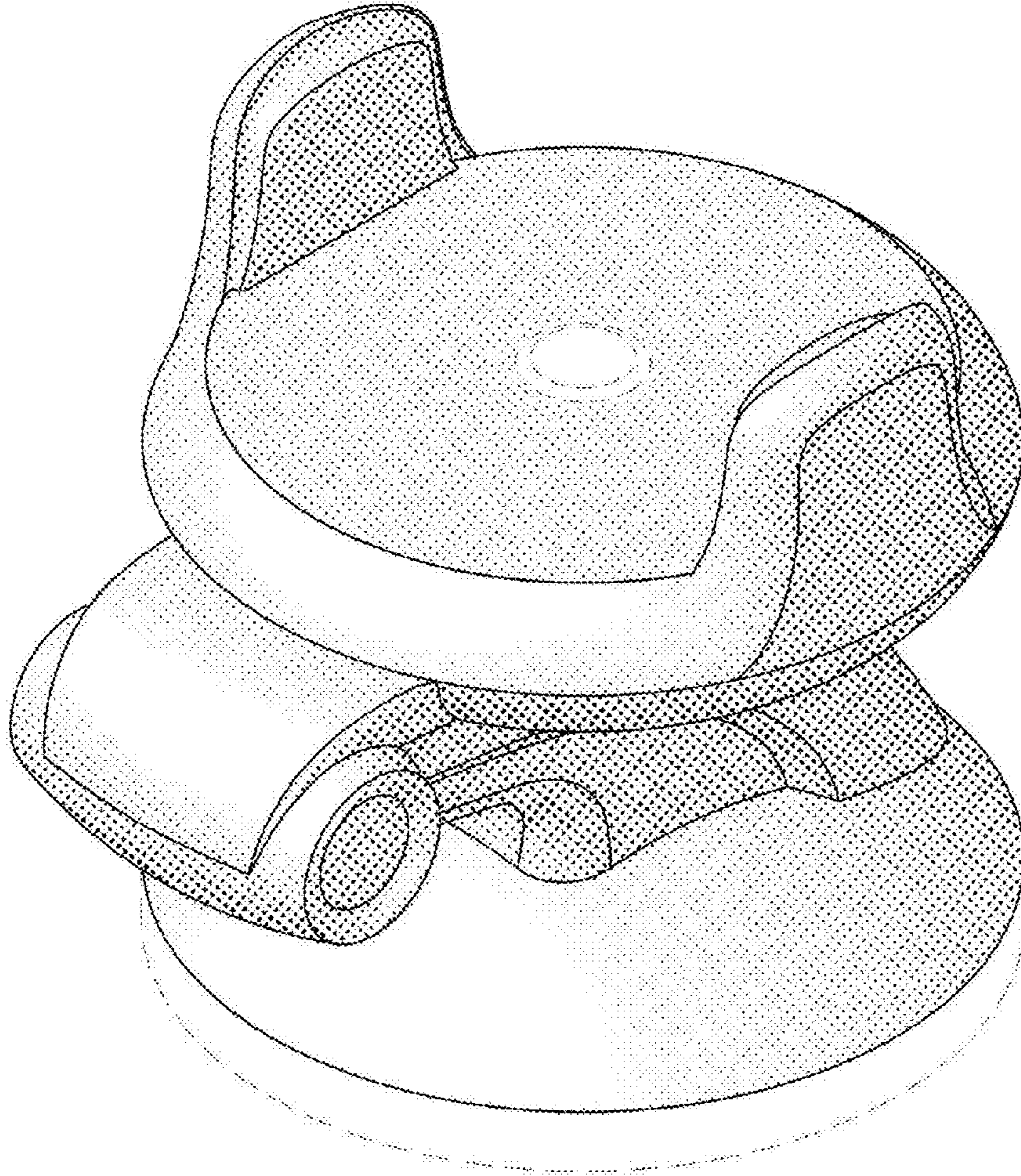


FIGURE 8

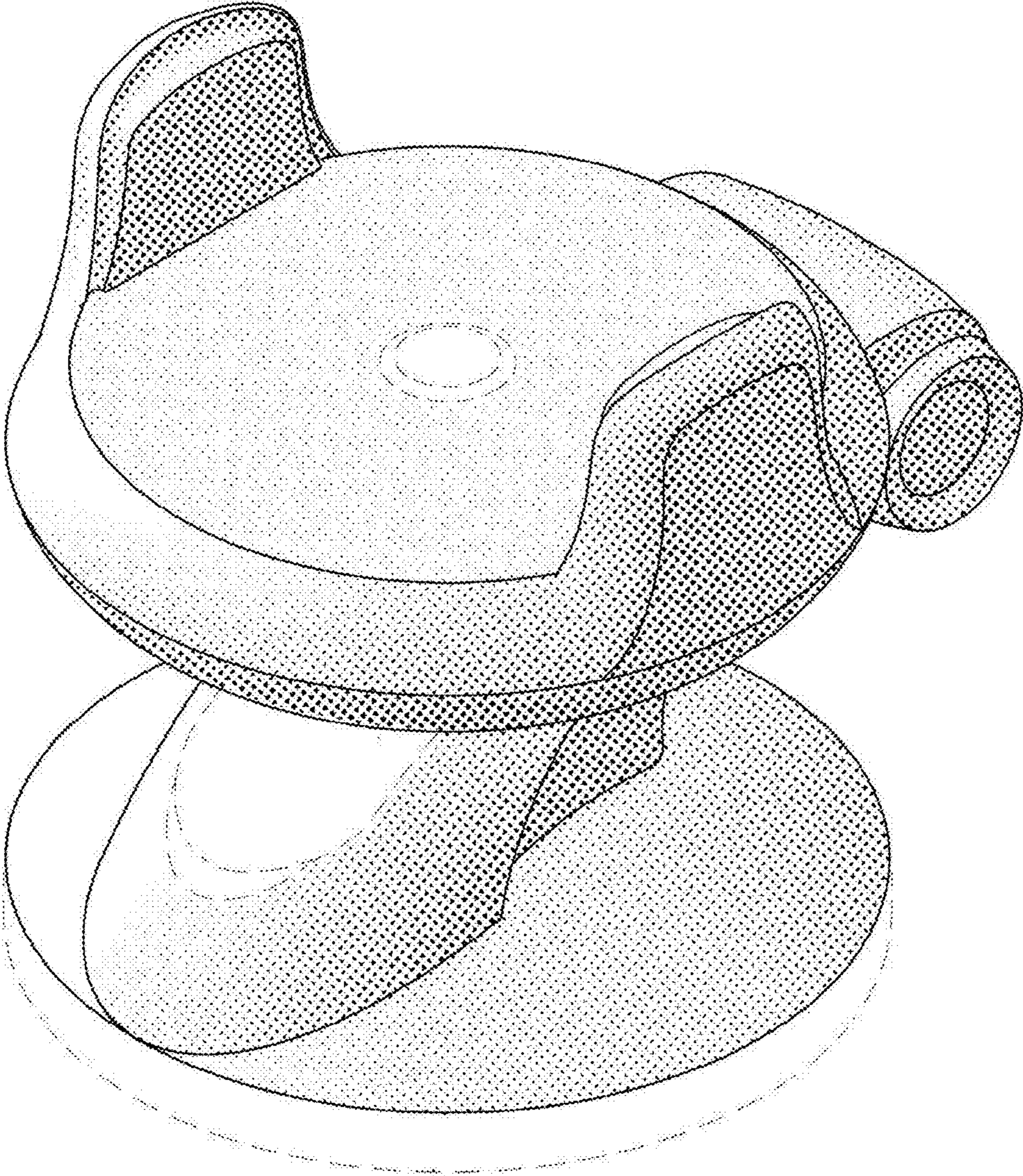


FIGURE 9

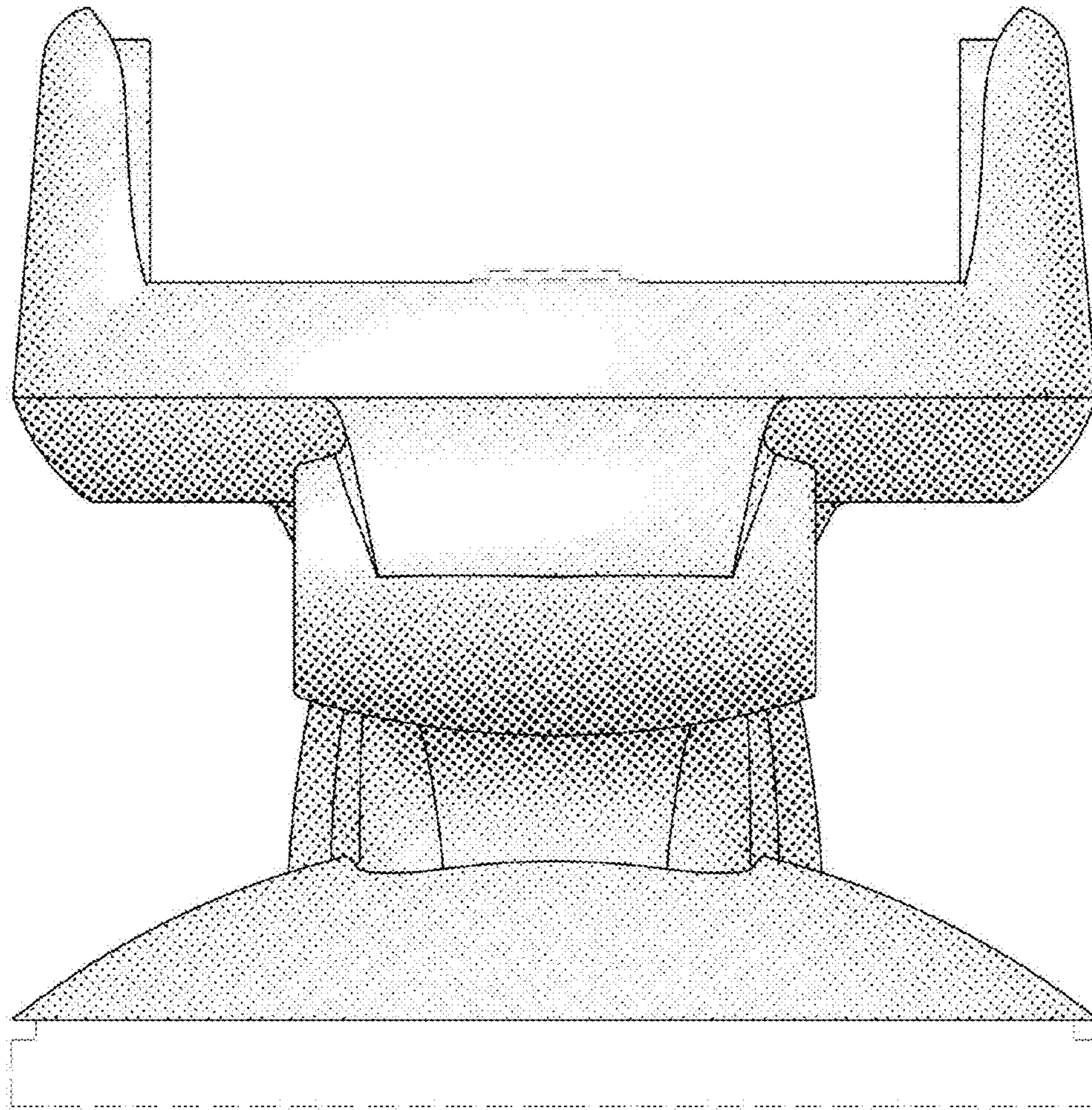


FIGURE 10

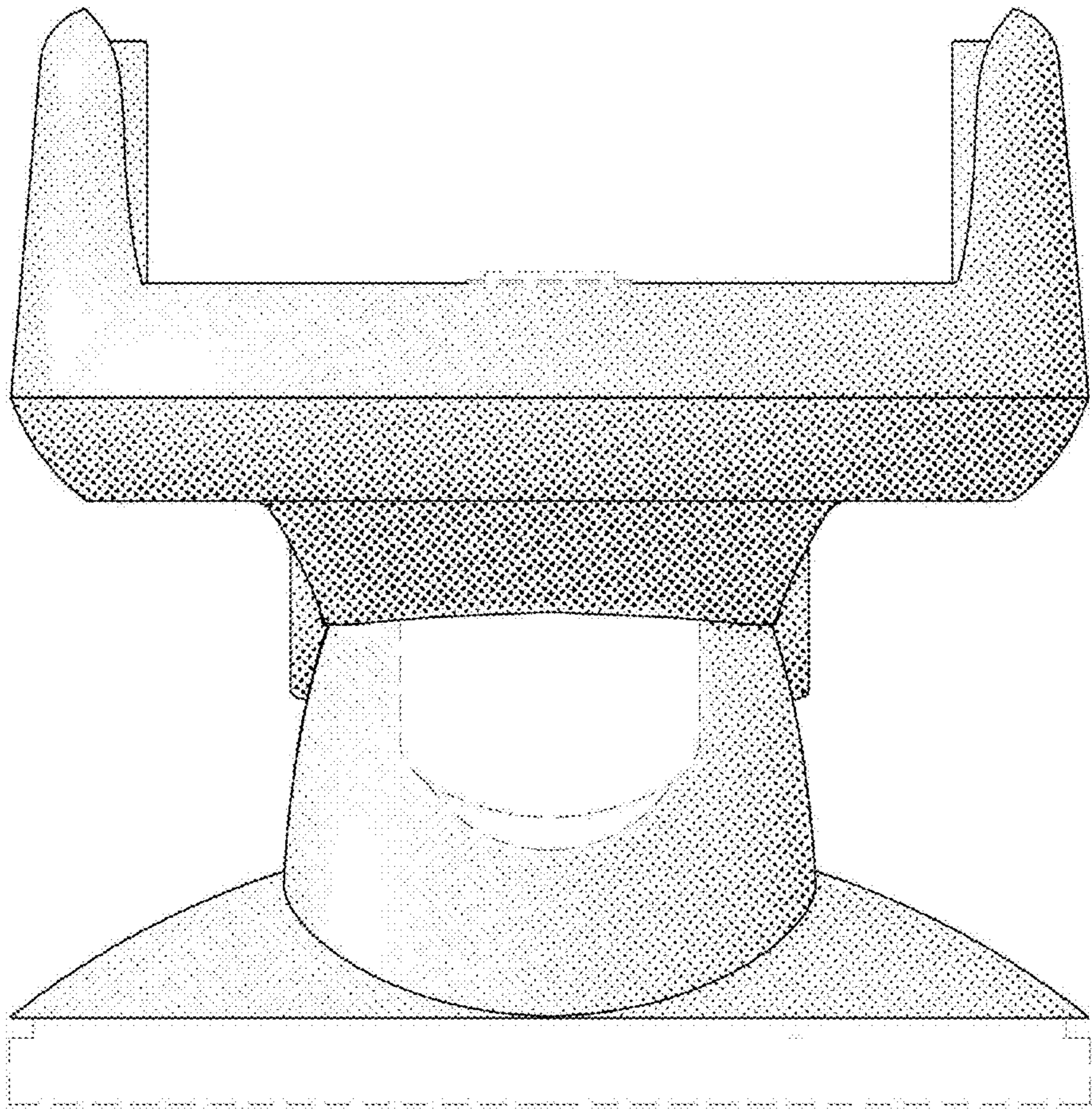


FIGURE 11

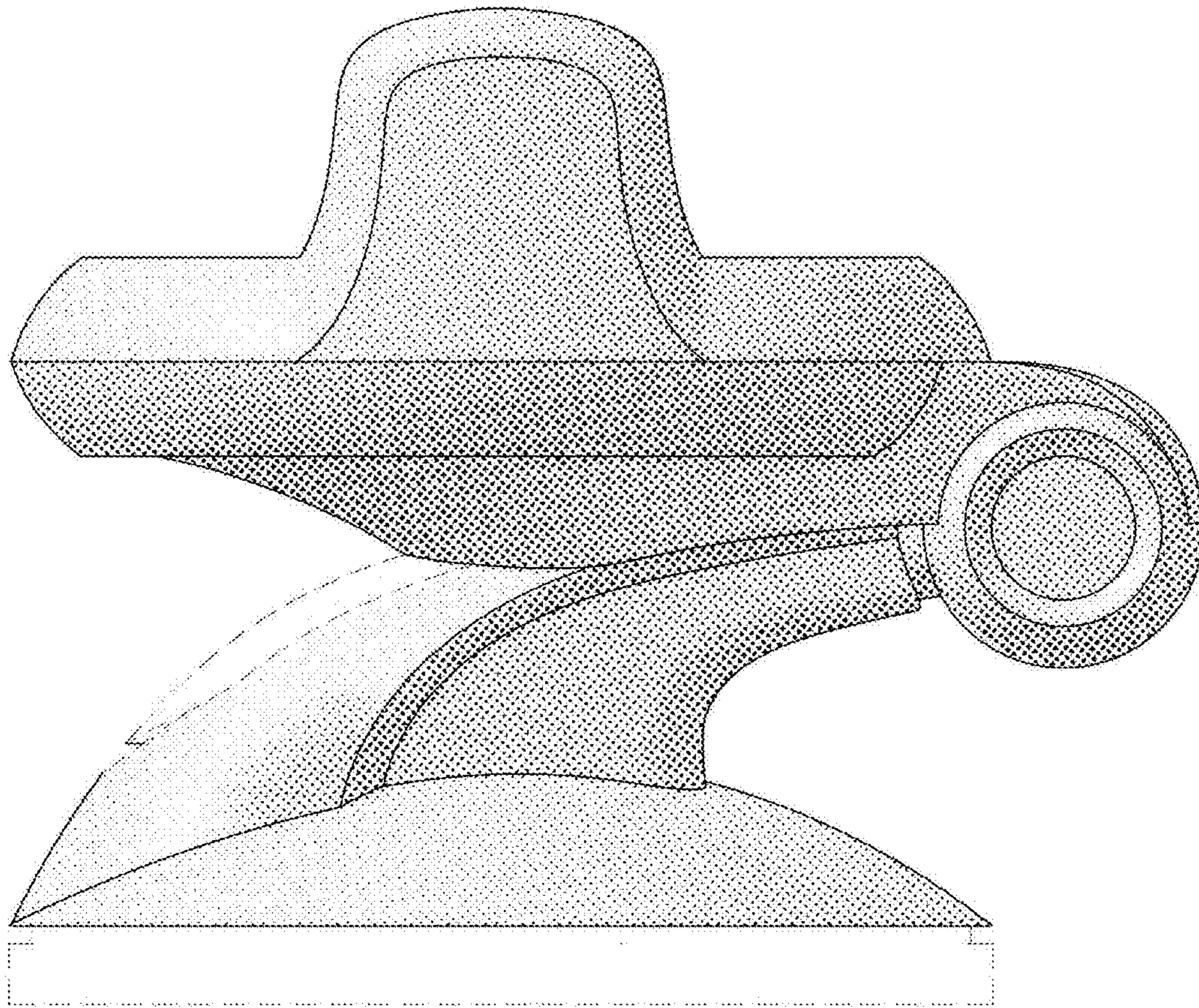


FIGURE 12

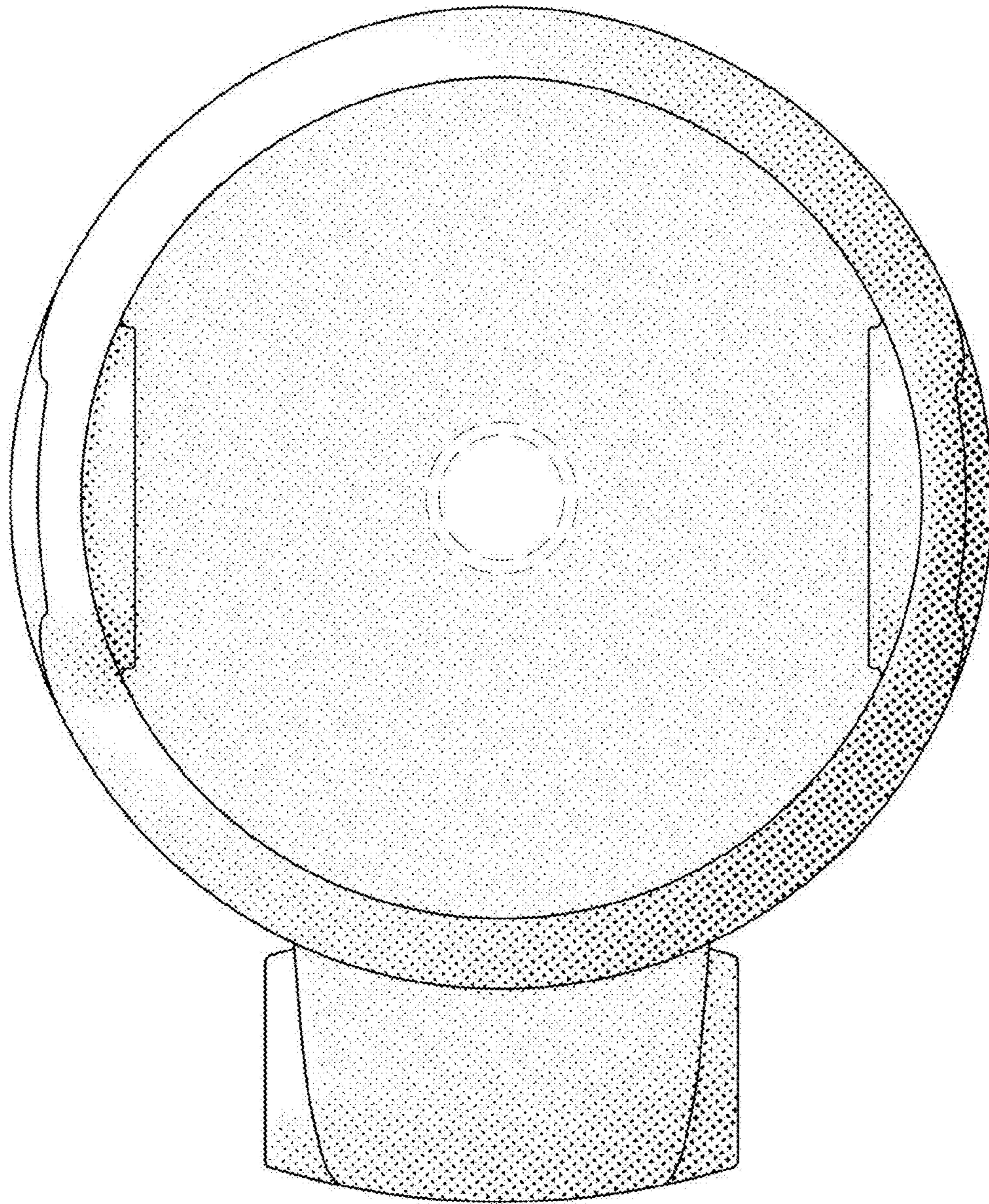


FIGURE 13

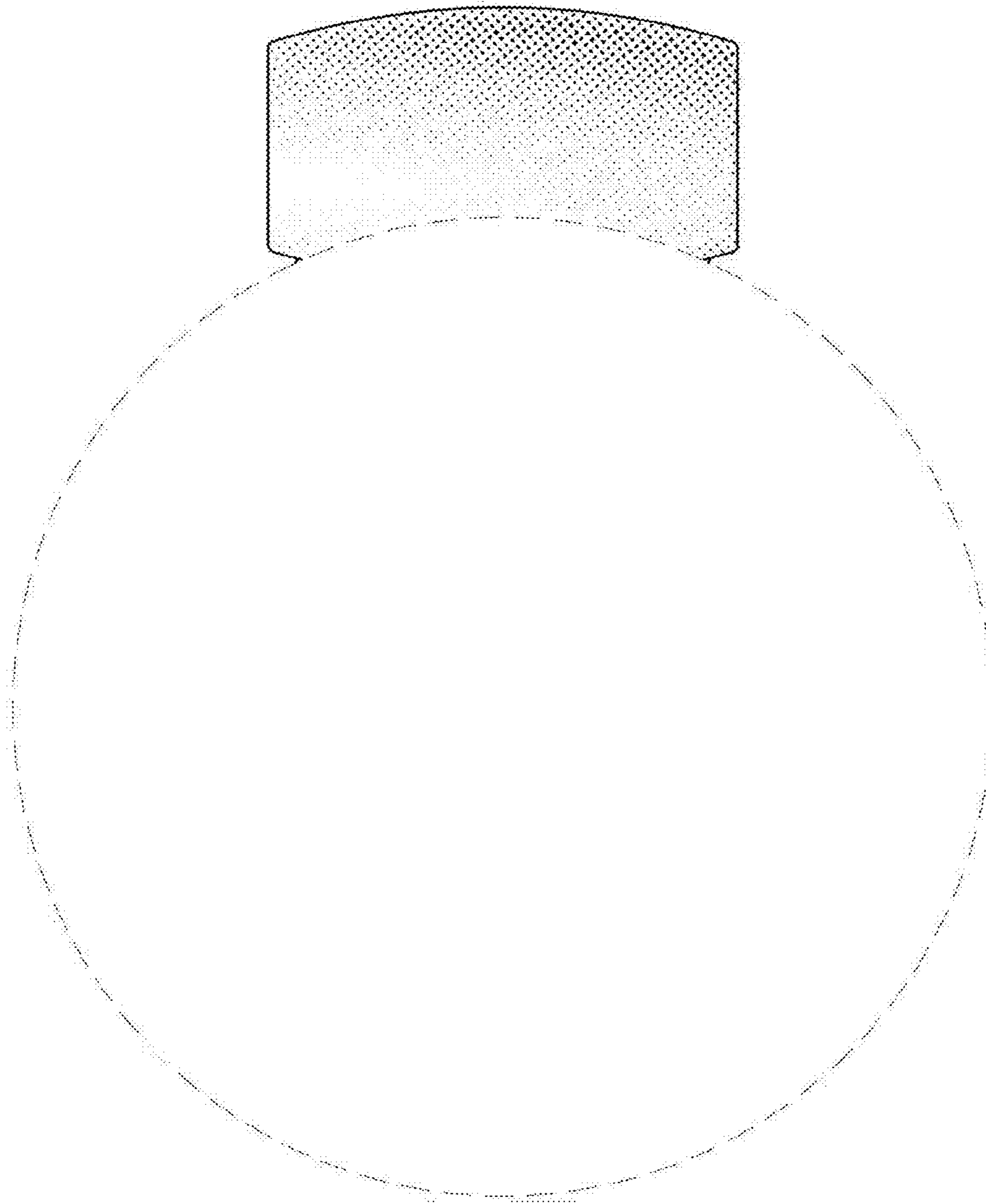


FIGURE 14