



US00D709065S

(12) **United States Design Patent**
Guyot

(10) **Patent No.:** **US D709,065 S**
(45) **Date of Patent:** **** Jul. 15, 2014**

(54) **POSITIONING BASE UNIT**

(75) Inventor: **Josh Guyot**, Deer Isle, ME (US)

(73) Assignee: **Motrr LLC**, Santa Cruz, CA (US)

(**) Term: **14 Years**

(21) Appl. No.: **29/427,872**

(22) Filed: **Jul. 24, 2012**

(51) **LOC (10) Cl.** **14-03**

(52) **U.S. Cl.**
USPC **D14/253**

(58) **Field of Classification Search**

USPC D14/140, 140.8, 142, 204, 209.1, 217,
D14/221, 243–256, 434, 440, 444–447;
D8/400–404, 499; D2/861; D3/215,
D3/218, 304, 269; D6/467, 300, 310,
D6/553–574; D25/318; 292/342, 343;
248/188.2; D12/415, 411; D19/87, 90

See application file for complete search history.

(56) **References Cited**

U.S. PATENT DOCUMENTS

D221,081 S *	7/1971	Kahn	D13/110
D395,641 S *	6/1998	Gaete	D14/447
D396,235 S *	7/1998	Tate et al.	D14/240
D433,994 S *	11/2000	Jobs et al.	D13/110
D455,396 S *	4/2002	Scott et al.	D13/108
D459,299 S *	6/2002	Hughes et al.	D13/108
D467,539 S *	12/2002	Kataoka	D13/108
D468,305 S *	1/2003	Ma et al.	D14/253
D485,390 S *	1/2004	Stancik et al.	D26/104
D537,409 S *	2/2007	Suzuki	D13/108
D558,193 S *	12/2007	Ju et al.	D14/253
D558,207 S *	12/2007	Ikeda et al.	D14/434
D558,208 S *	12/2007	Ikeda et al.	D14/434

(Continued)

Primary Examiner — Susan Bennett Hattan

Assistant Examiner — Janice Hallmark

(74) *Attorney, Agent, or Firm* — Michael A. Guth

(57) **CLAIM**

The ornamental design for a positioning base unit, as shown and described.

DESCRIPTION

FIG. 1 is a front view of a positioning base unit in a first configuration.

FIG. 2 is a back view of a positioning base unit in a first configuration.

FIG. 3 is a right side view of a positioning base unit in a first configuration.

FIG. 4 is a left side view of a positioning base unit in a first configuration.

FIG. 5 is a bottom view of a positioning base unit in a first configuration.

FIG. 6 is a top view of a positioning base unit in a first configuration.

FIG. 7 is a raised perspective view of a positioning base unit in a first configuration.

FIG. 8 is a lowered perspective view of a positioning base unit in a first configuration.

FIG. 9 is a front view of a positioning base unit in a second configuration.

FIG. 10 is a back view of a positioning base unit in a second configuration.

FIG. 11 is a right side view of a positioning base unit in a second configuration.

FIG. 12 is a left side view of a positioning base unit in a second configuration.

FIG. 13 is a bottom view of a positioning base unit in a second configuration.

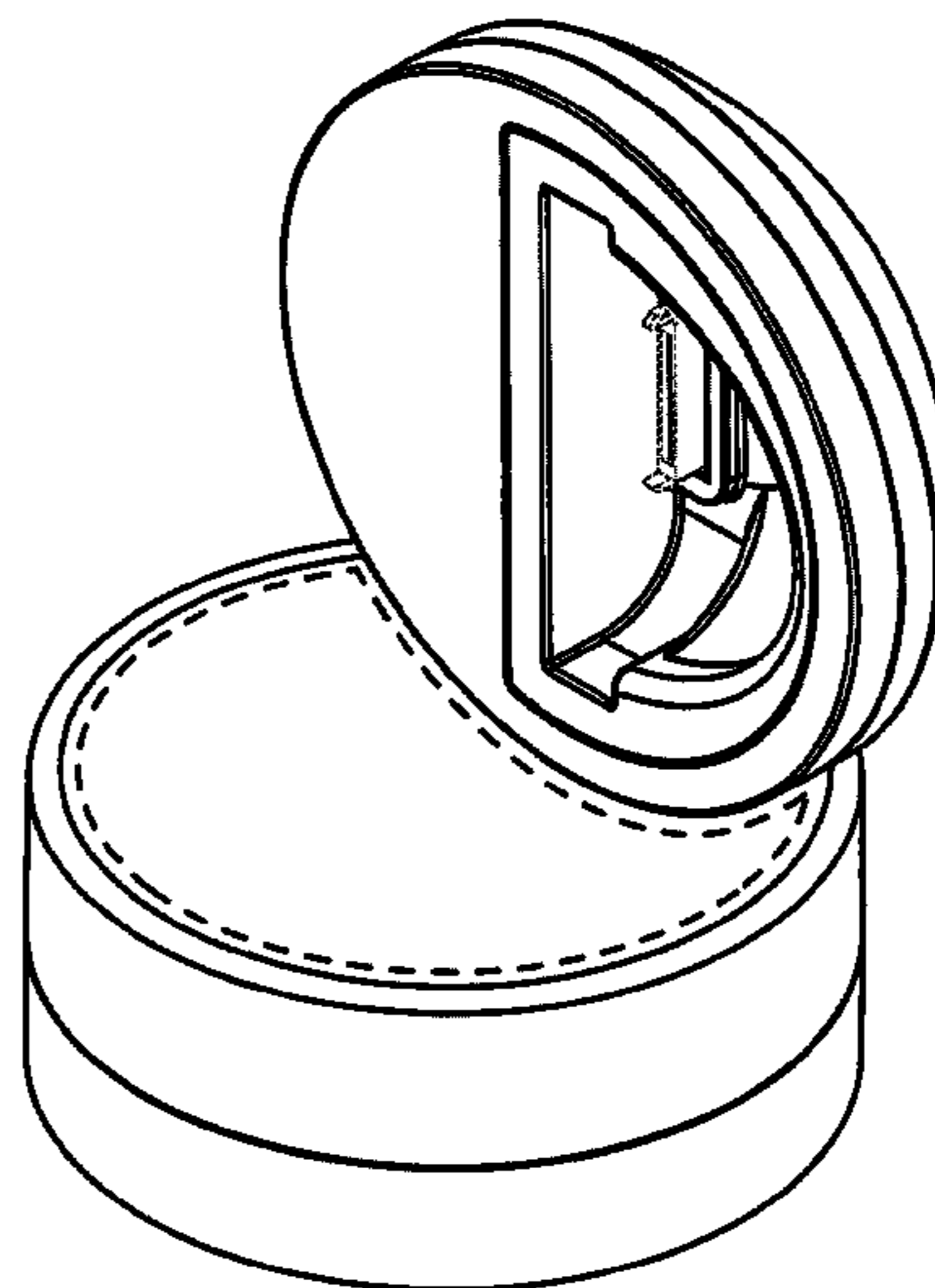
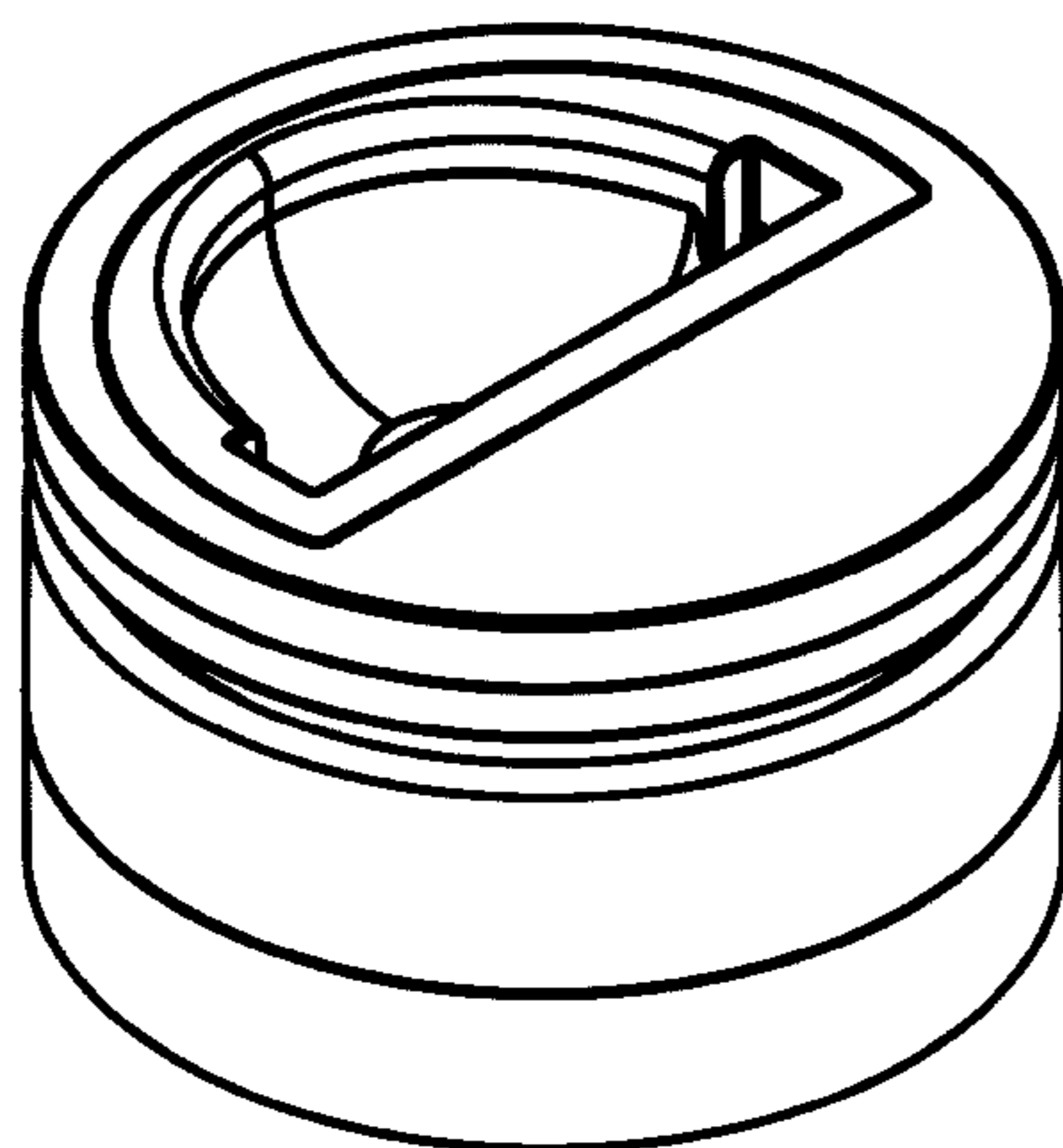
FIG. 14 is a top view of a positioning base unit in a second configuration.

FIG. 15 is a raised perspective view of a positioning base unit in a second configuration; and,

FIG. 16 is a lowered perspective view of a positioning base unit in a second configuration.

The broken lines in the drawings represent the bounds of the claim and form no part of the claimed design.

1 Claim, 16 Drawing Sheets



(56)

References Cited

U.S. PATENT DOCUMENTS

D558,209 S *	12/2007	Ikeda et al.	D14/434	D608,277 S *	1/2010	Cano et al.	D13/108
D575,289 S *	8/2008	Kuo et al.	D14/434	D609,636 S *	2/2010	Jensen	D13/108
D581,927 S *	12/2008	Sumii	D14/356	D620,884 S *	8/2010	Lee et al.	D13/108
D590,101 S *	4/2009	Hsu	D26/142	D627,718 S *	11/2010	Houghton	D13/108
D590,391 S *	4/2009	Sumii	D14/356	D640,248 S *	6/2011	Baumann et al.	D14/253
D593,882 S *	6/2009	Scalisi	D10/65	D645,818 S *	9/2011	Guccione et al.	D13/108
D598,018 S *	8/2009	Sumii	D14/356	D654,431 S *	2/2012	Stephanchick et al.	D13/108
D600,694 S *	9/2009	Sumii	D14/356	D659,093 S *	5/2012	Schmid et al.	D13/108
				8,188,842 B2 *	5/2012	Otsuka et al.	340/12.22
				D671,546 S *	11/2012	Eberstein et al.	D14/447
				D680,541 S *	4/2013	Lee et al.	D14/434

* cited by examiner

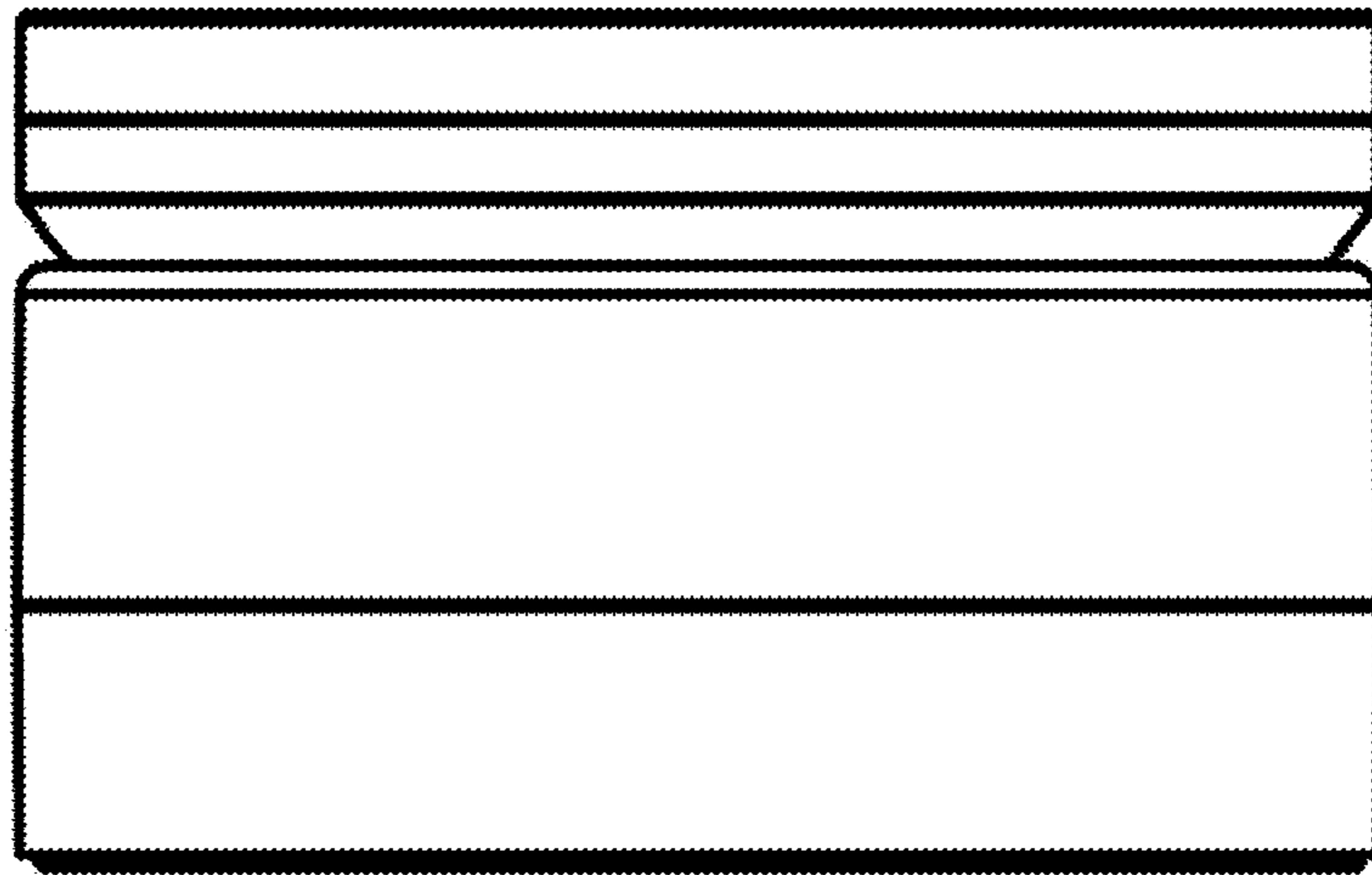


FIGURE 1

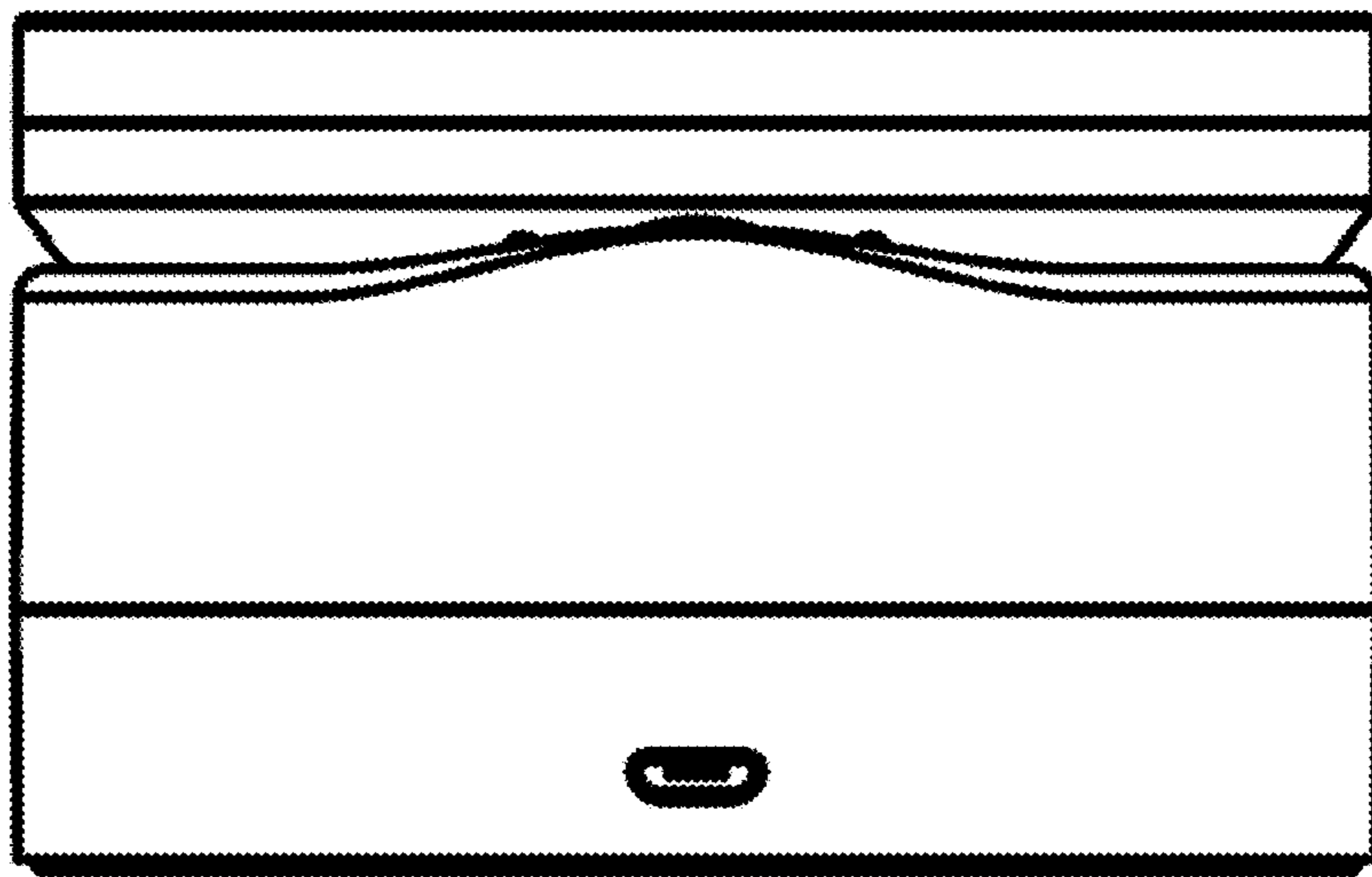


FIGURE 2

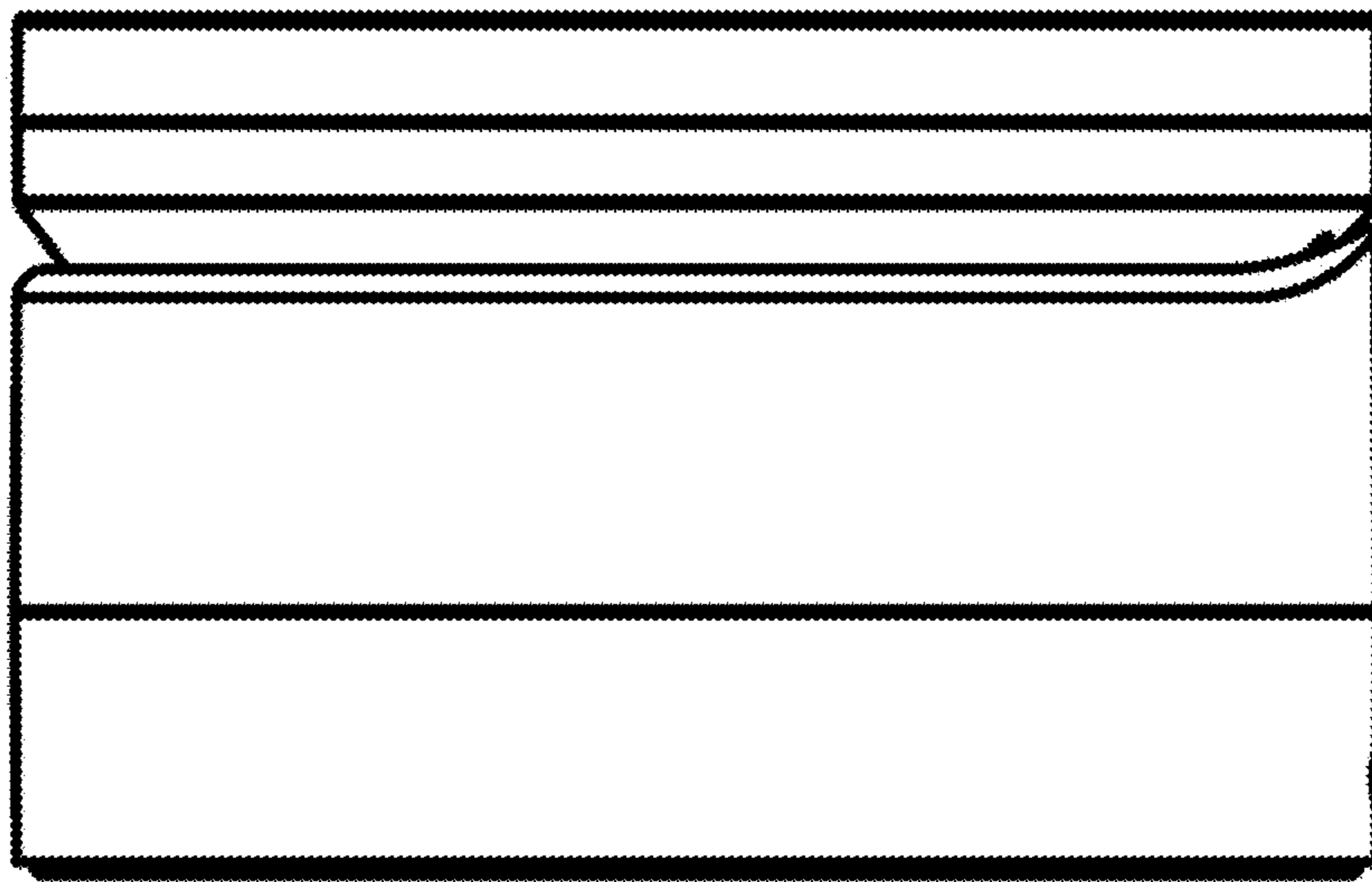


FIGURE 3

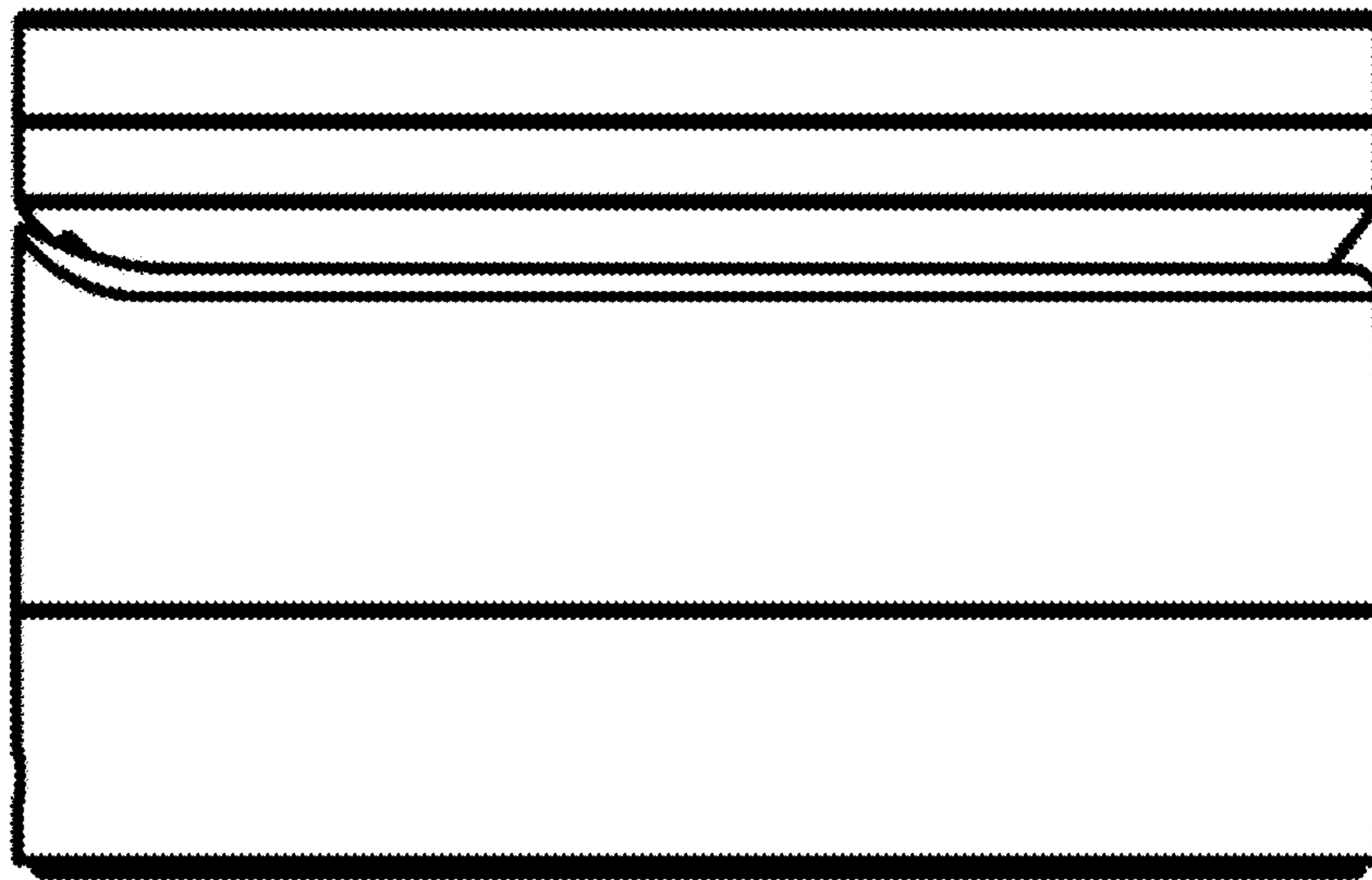


FIGURE 4

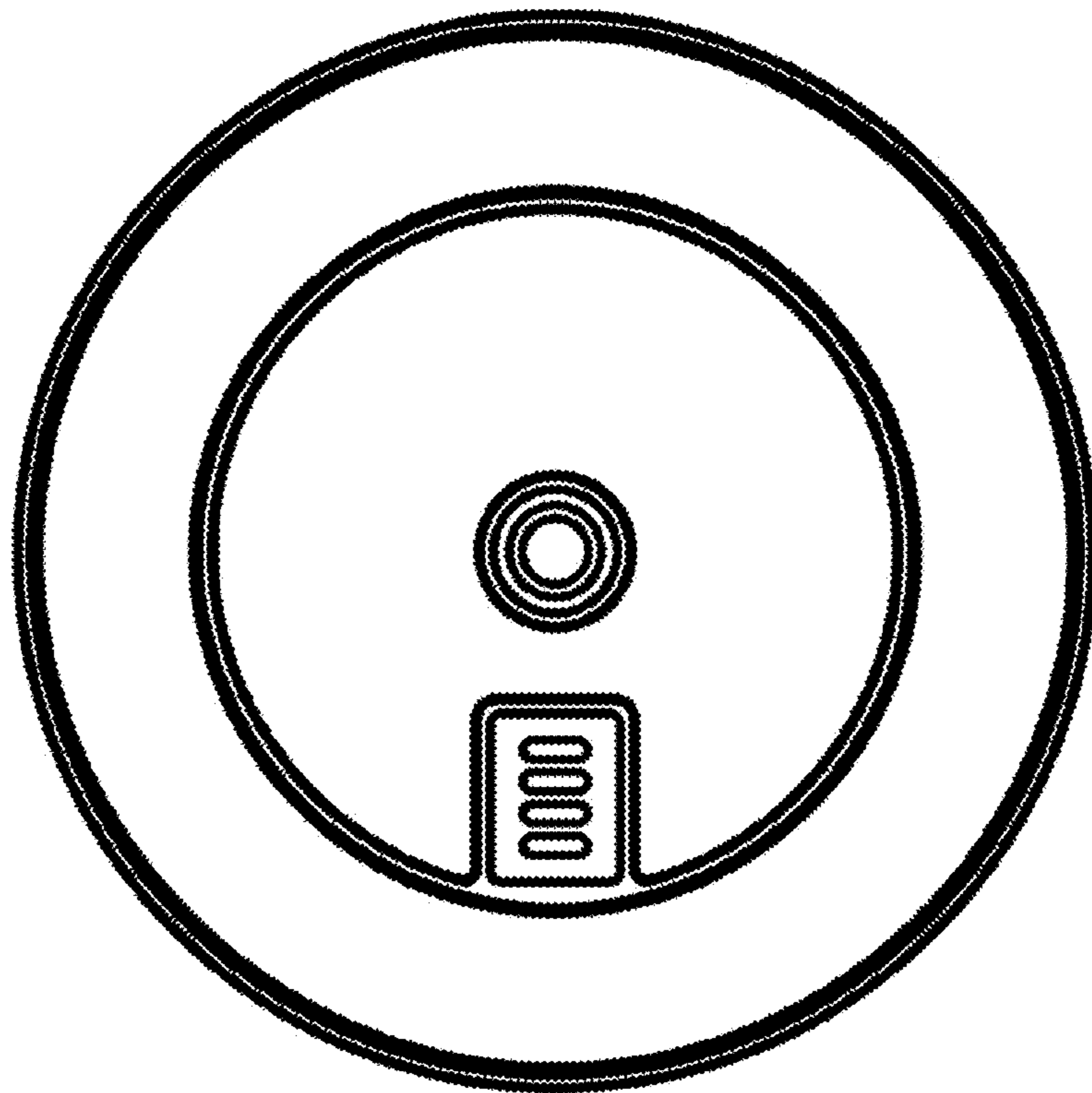


FIGURE 5

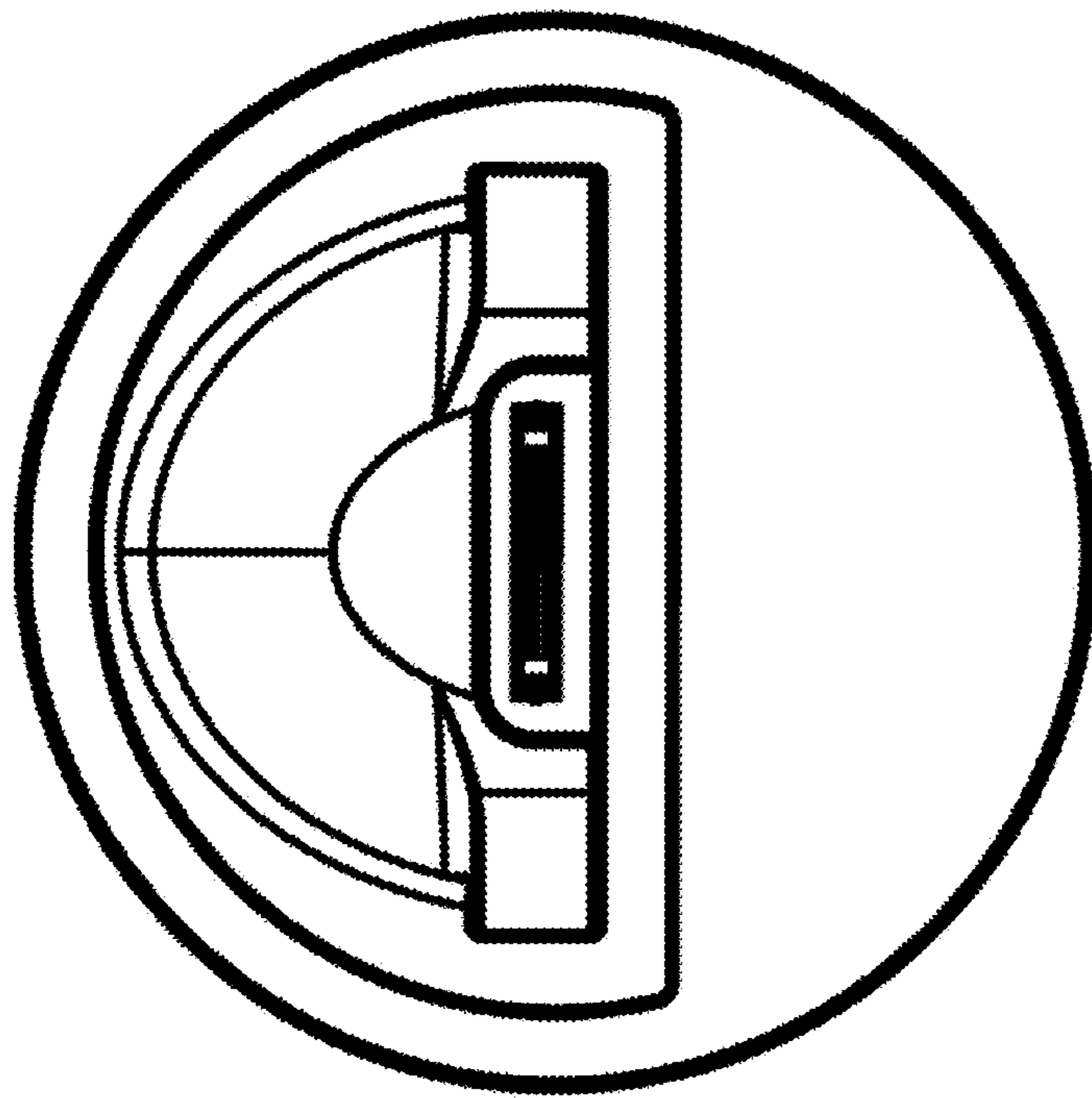


FIGURE 6

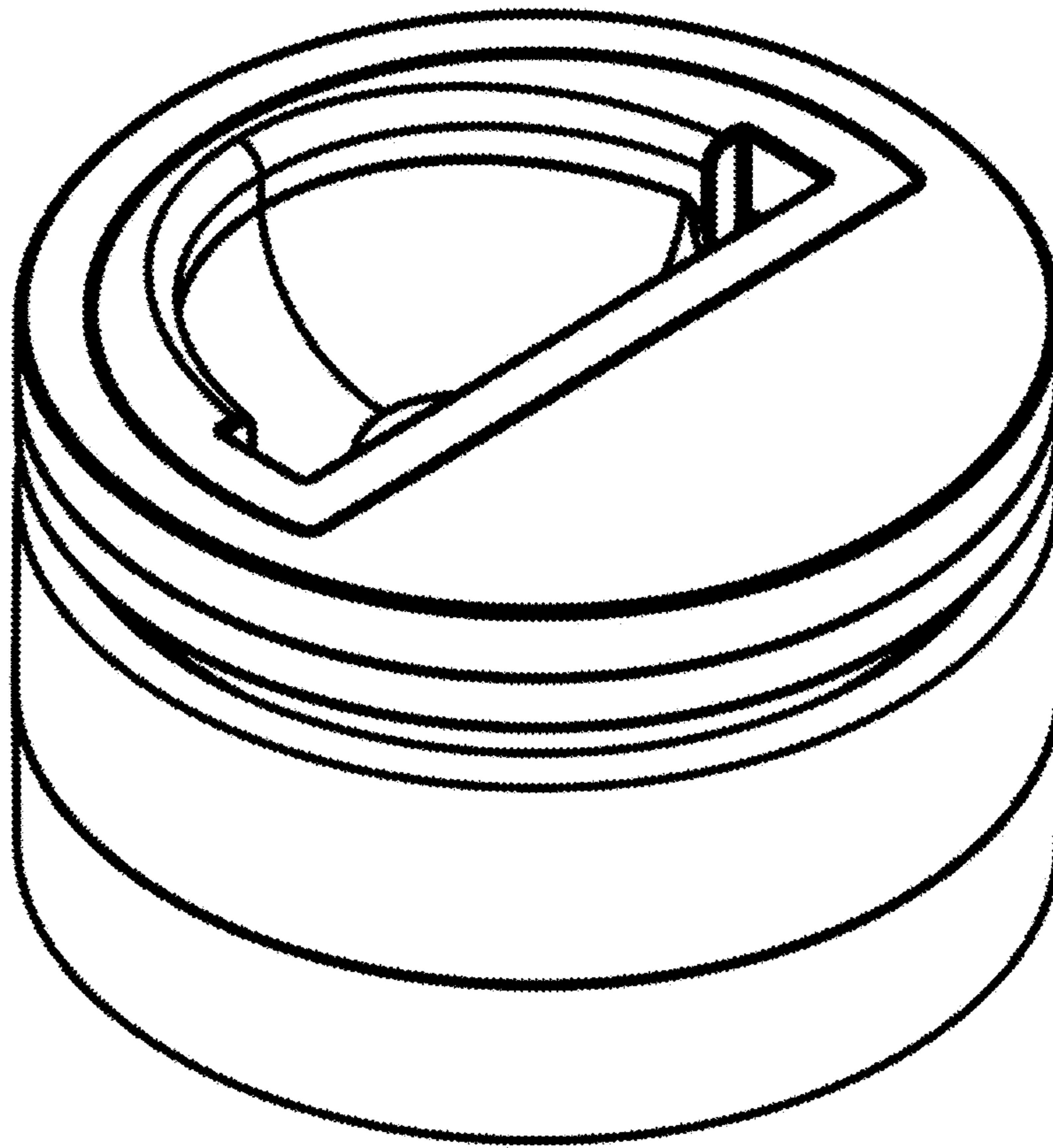


FIGURE 7

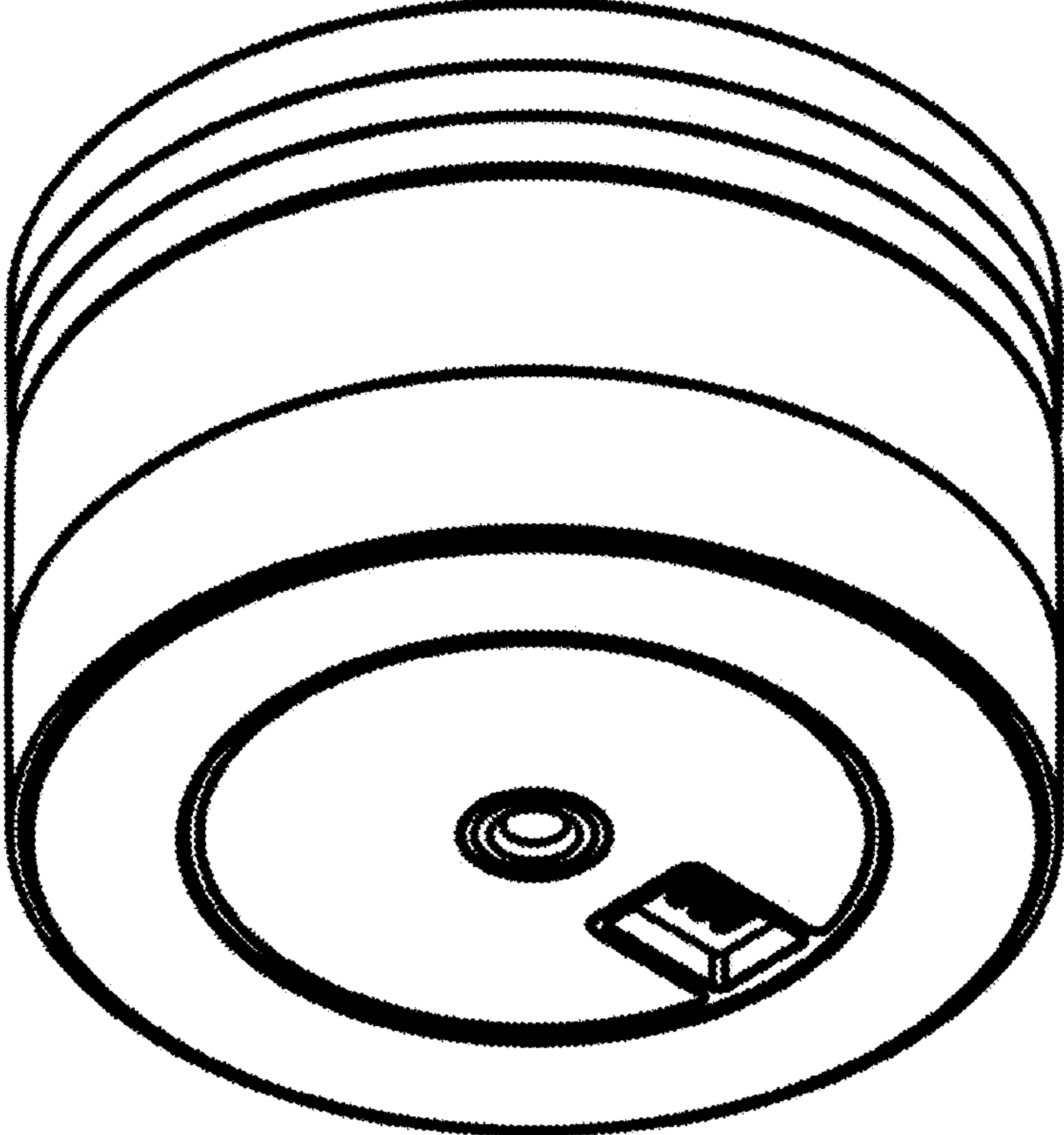


FIGURE 8

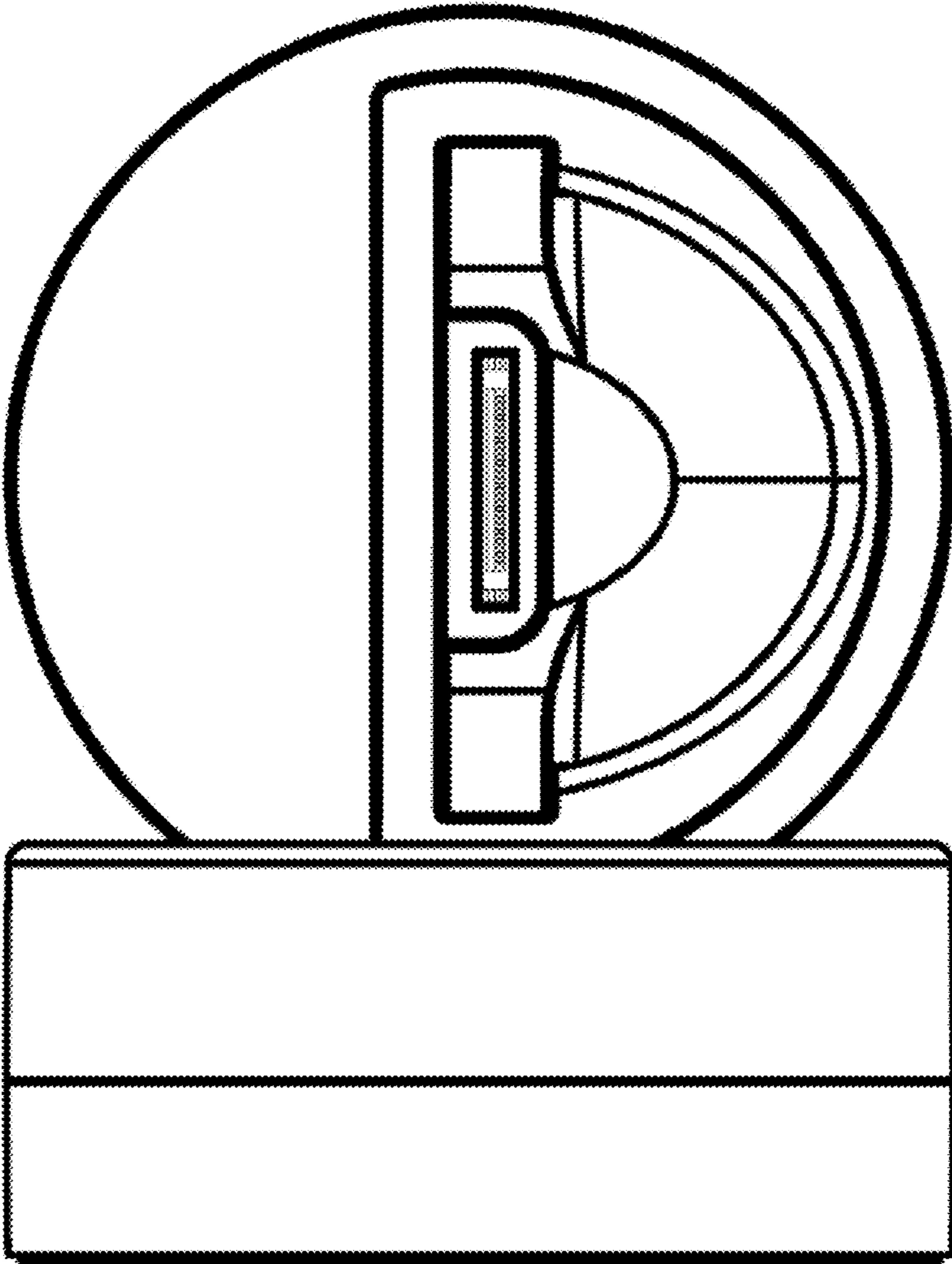


FIGURE 9

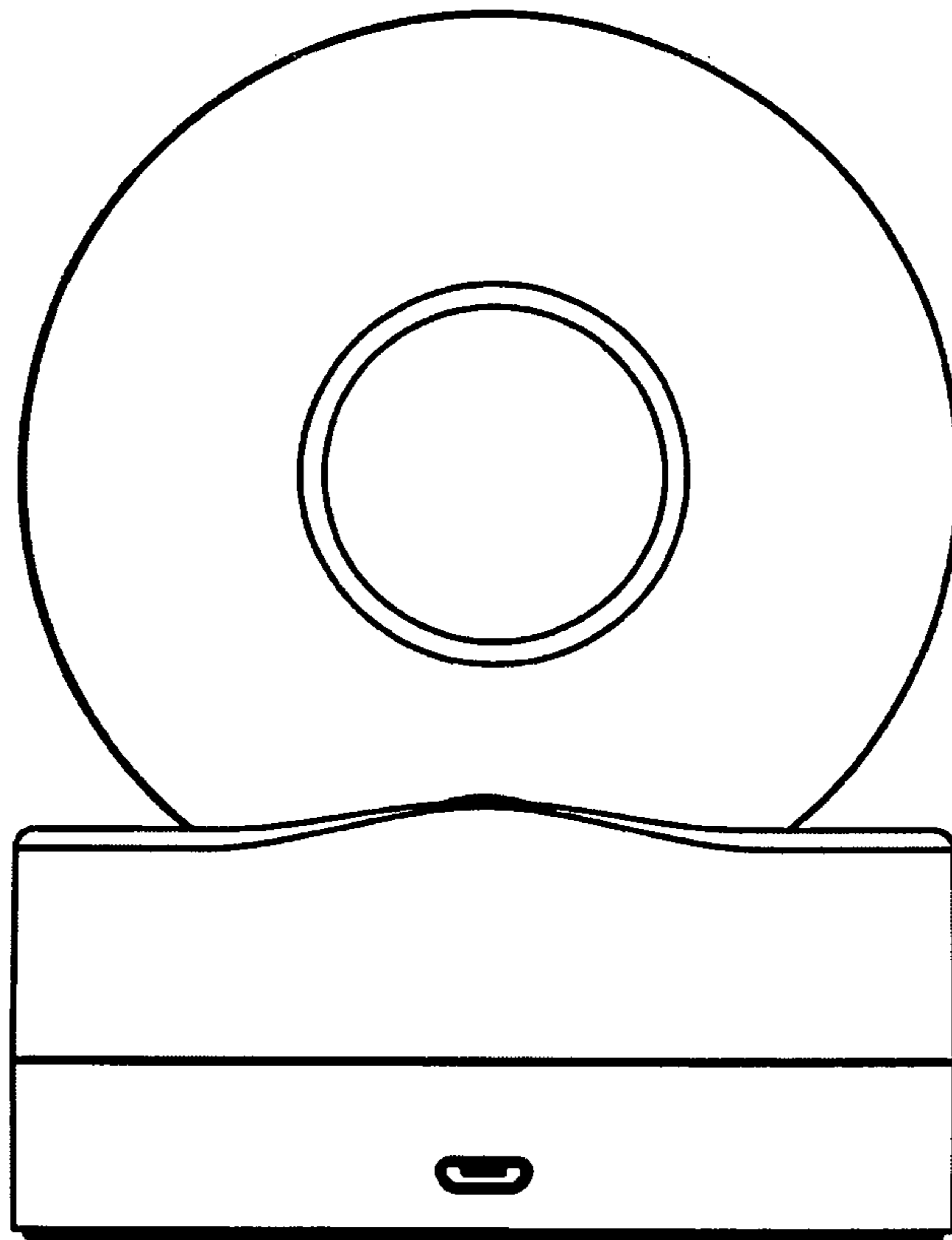


FIGURE 10

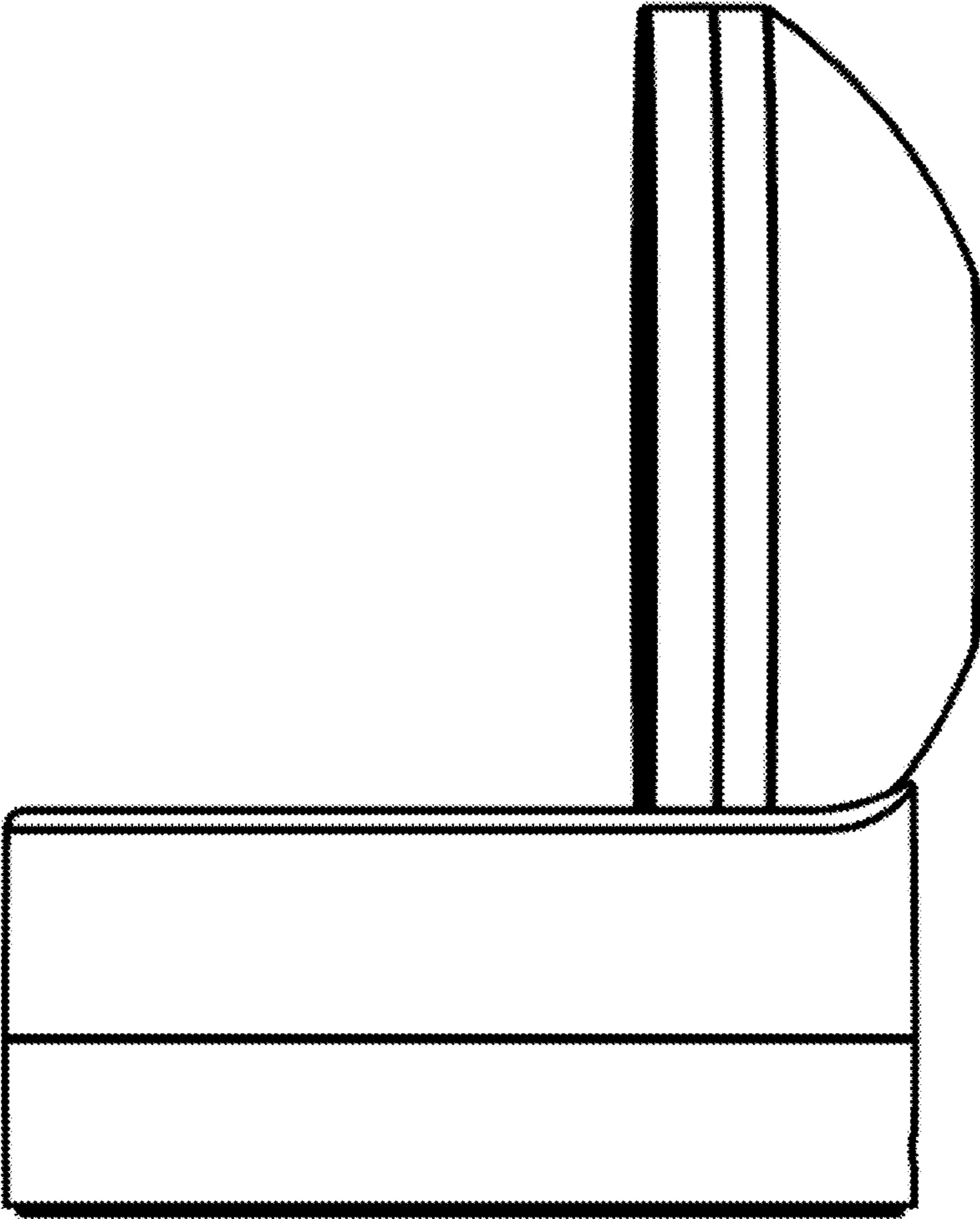


FIGURE 11

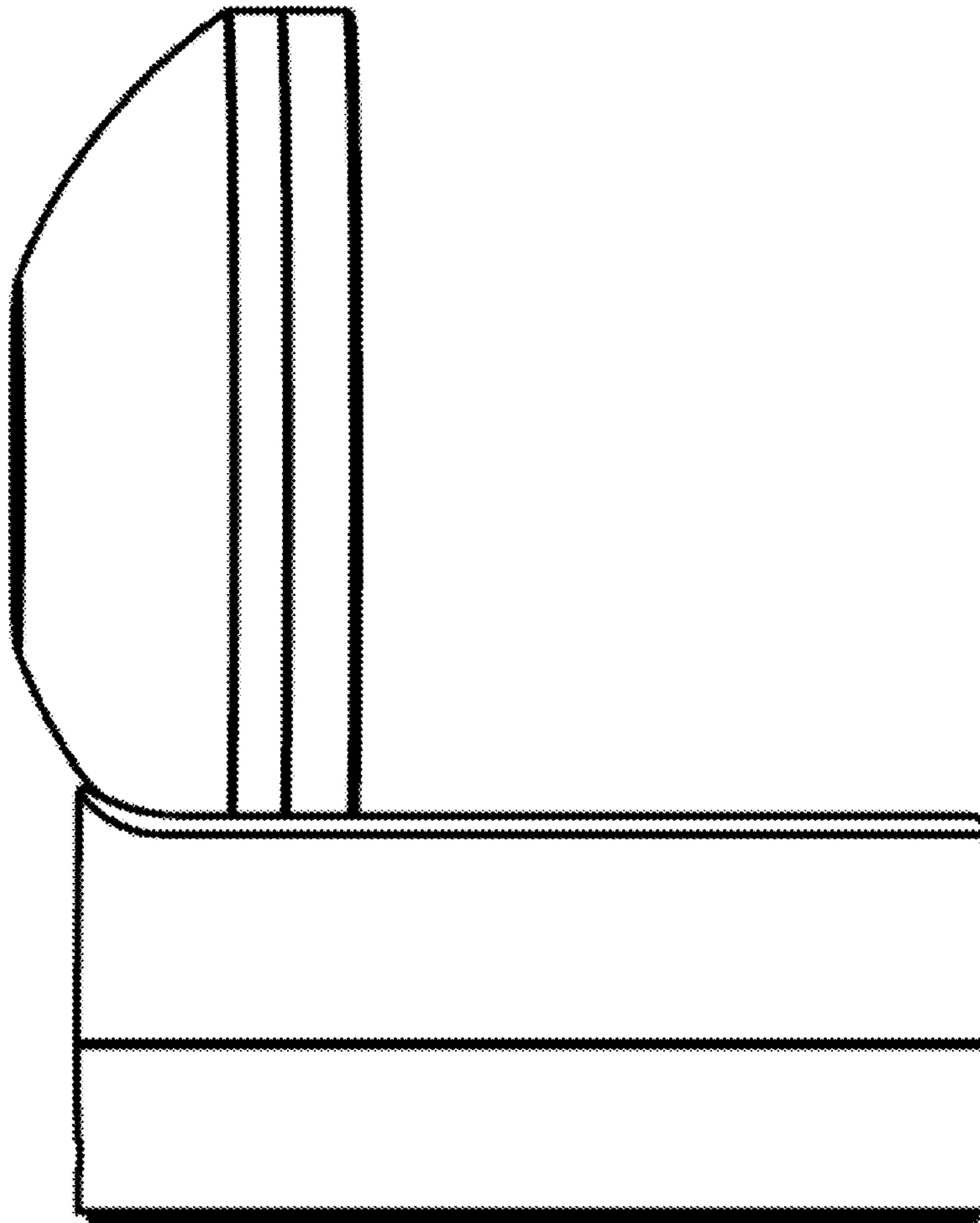


FIGURE 12

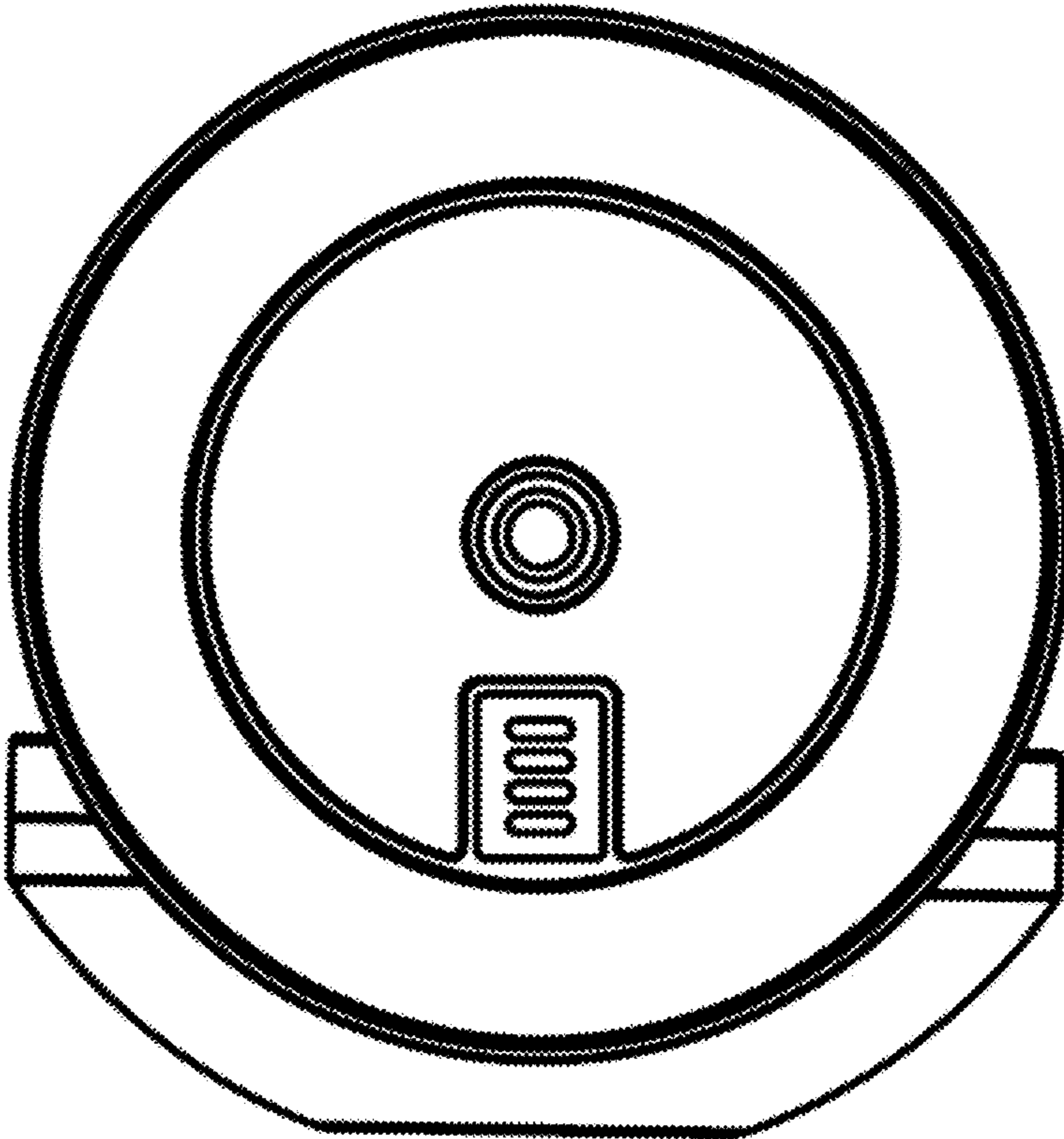


FIGURE 13

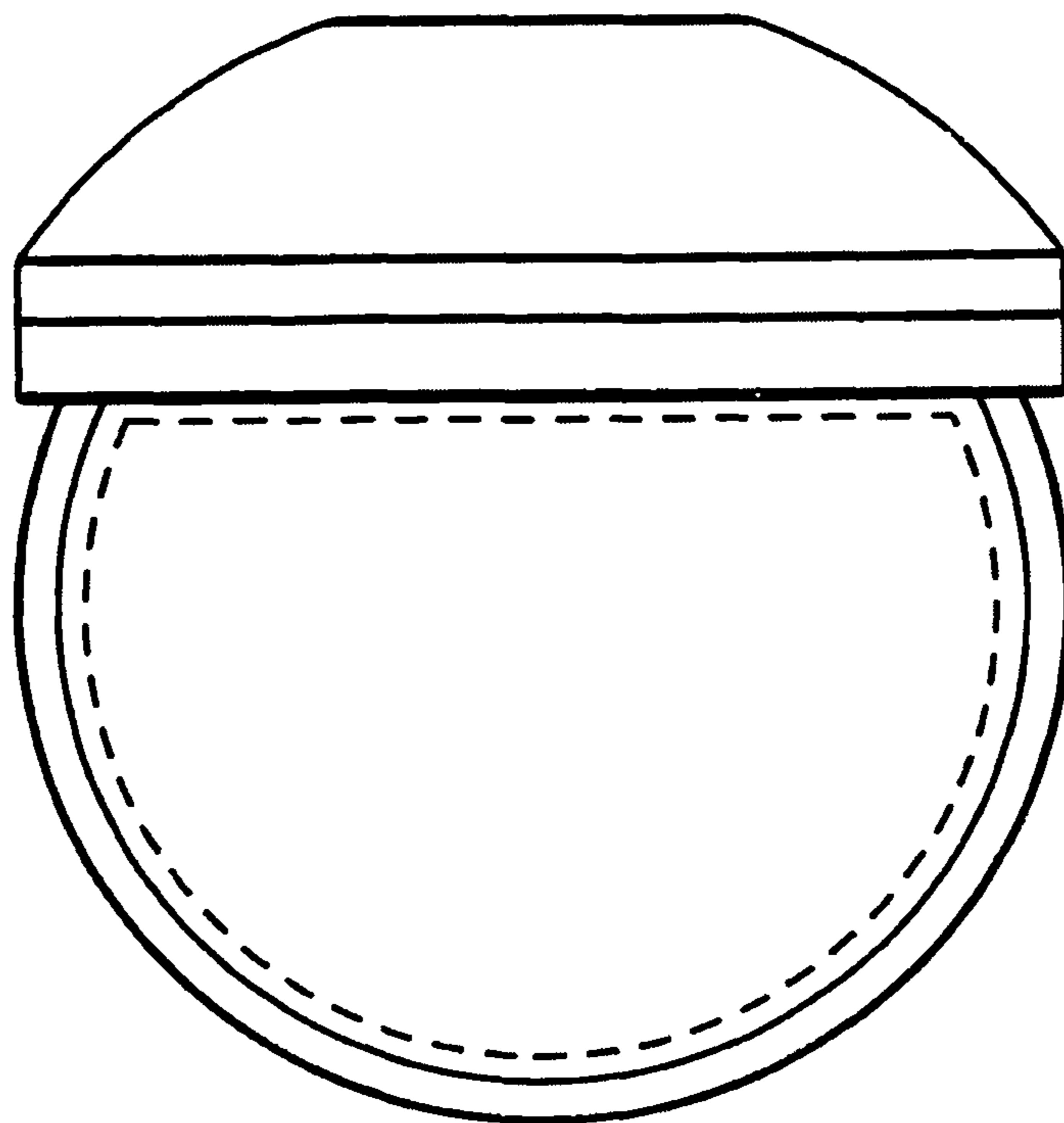


FIGURE 14

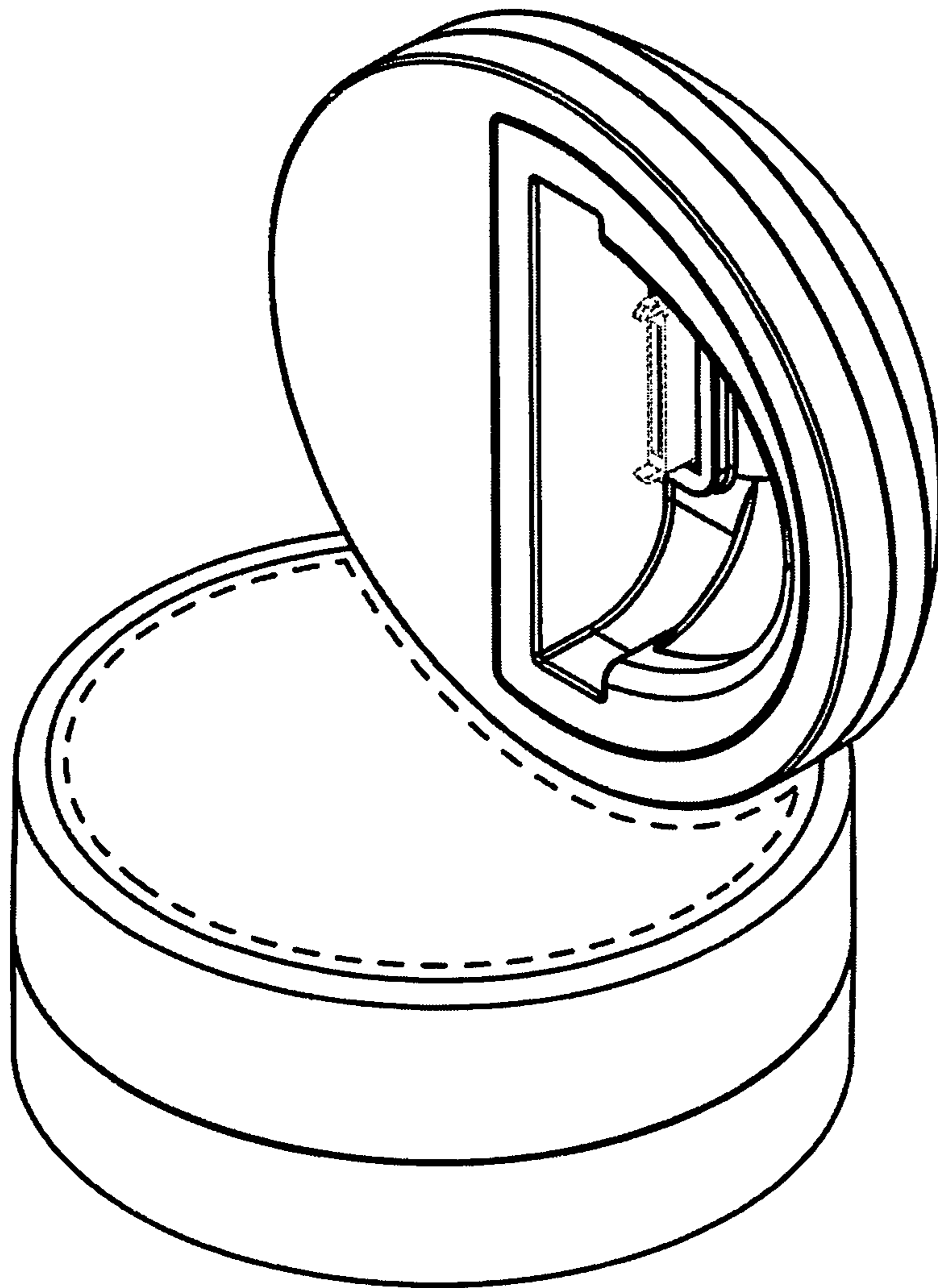


FIGURE 15

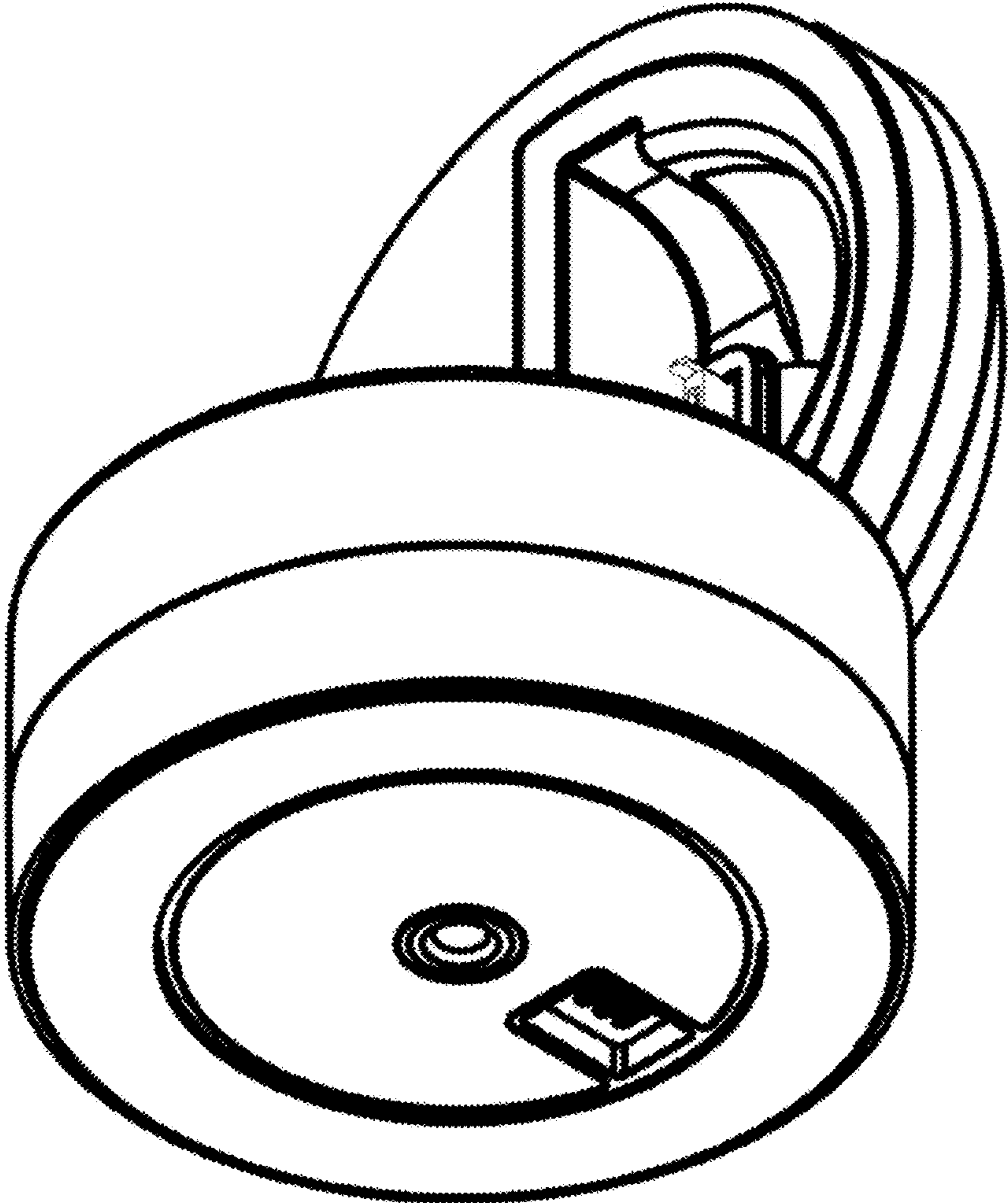


FIGURE 16