



US00D709060S

(12) **United States Design Patent**
Melanson et al.

(10) **Patent No.:** **US D709,060 S**
(45) **Date of Patent:** **** Jul. 15, 2014**

(54) **CASE FOR ELECTRONIC DEVICE**

(71) Applicant: **Otter Products, LLC**, Fort Collins, CO (US)

(72) Inventors: **Christopher J. Melanson**, Fort Collins, CO (US); **Cameron D. Magness**, Fort Collins, CO (US); **Richard W. Vinson**, Loveland, CO (US); **Matthew M. Glanzer**, Fort Collins, CO (US)

(73) Assignee: **Otter Products, LLC**, Fort Collins, CO (US)

(**) Term: **14 Years**

(21) Appl. No.: **29/469,812**

(22) Filed: **Oct. 15, 2013**

(51) **LOC (10) Cl.** **14-03**

(52) **U.S. Cl.**
USPC **D14/250**

(58) **Field of Classification Search**

CPC A44B 15/005; A45C 1/06; A45C 11/24; A45C 11/182; A45D 40/22; B65D 5/5206; H04B 1/3888; H04M 1/04; H05K 5/0017; H05K 5/0086; H05K 5/0221
USPC D14/250–253, 440, 203.3–203.7, 217, D14/496, 248, 238.1, 240, 447, 341–347, D14/444; D13/103, 107–108, 119; D3/201, D3/218, 247, 269, 273, 301, 303; 248/176.3, 188.8, 309.1, 371, 668; 361/220, 379.01, 679.01, 679.02, 361/679.09, 679.21, 679.25, 679.3, 679.4, 361/679.56, 679.57, 759, 807, 816; 379/433.11, 451, 455; 455/556.1, 557, 455/566, 575.1, 575.2, 575.8; 206/37, 45.2, 206/305, 320, 216; 320/108, 115; 429/96; 220/4.02; 150/165; 174/50; 235/41, 235/375, 462; 312/223.1; 396/535
See application file for complete search history.

(56) **References Cited**

U.S. PATENT DOCUMENTS

D613,282	S	*	4/2010	Richardson et al.	D14/250
D623,179	S	*	9/2010	Richardson et al.	D14/250
D638,828	S	*	5/2011	Melanson et al.	D14/250
D641,756	S	*	7/2011	Hsieh et al.	D14/440
D644,635	S	*	9/2011	Richardson et al.	D14/250
D662,924	S	*	7/2012	Melanson et al.	D14/250
D673,159	S	*	12/2012	McCarthy et al.	D14/440
D677,251	S	*	3/2013	Melanson et al.	D14/250
D695,744	S	*	12/2013	Weller et al.	D14/440
2009/0154095	A1	*	6/2009	Woud	361/679.56
2011/0195753	A1	*	8/2011	Mock et al.	455/566
2011/0253569	A1	*	10/2011	Lord	206/320
2013/0140195	A1	*	6/2013	Law et al.	206/45.24
2013/0157730	A1	*	6/2013	McCormac et al.	455/575.8
2013/0193006	A1	*	8/2013	Bergreen et al.	206/37
2013/0292269	A1	*	11/2013	Tages	206/37

OTHER PUBLICATIONS

OtterBox unveils Preserver series of iPhone 5/5s/5c waterproof cases with Touch ID support; Posted on Oct. 16, 2013; <URL:http://www.idownloadblog.com/2013/10/16/otterbox-unveils-preserver-series-of-iphone-55s5c-waterproof-cases-with-touch-id-support/>, retrieved from internet on Feb. 22, 2014.*

* cited by examiner

Primary Examiner — Carla Jobe Wright

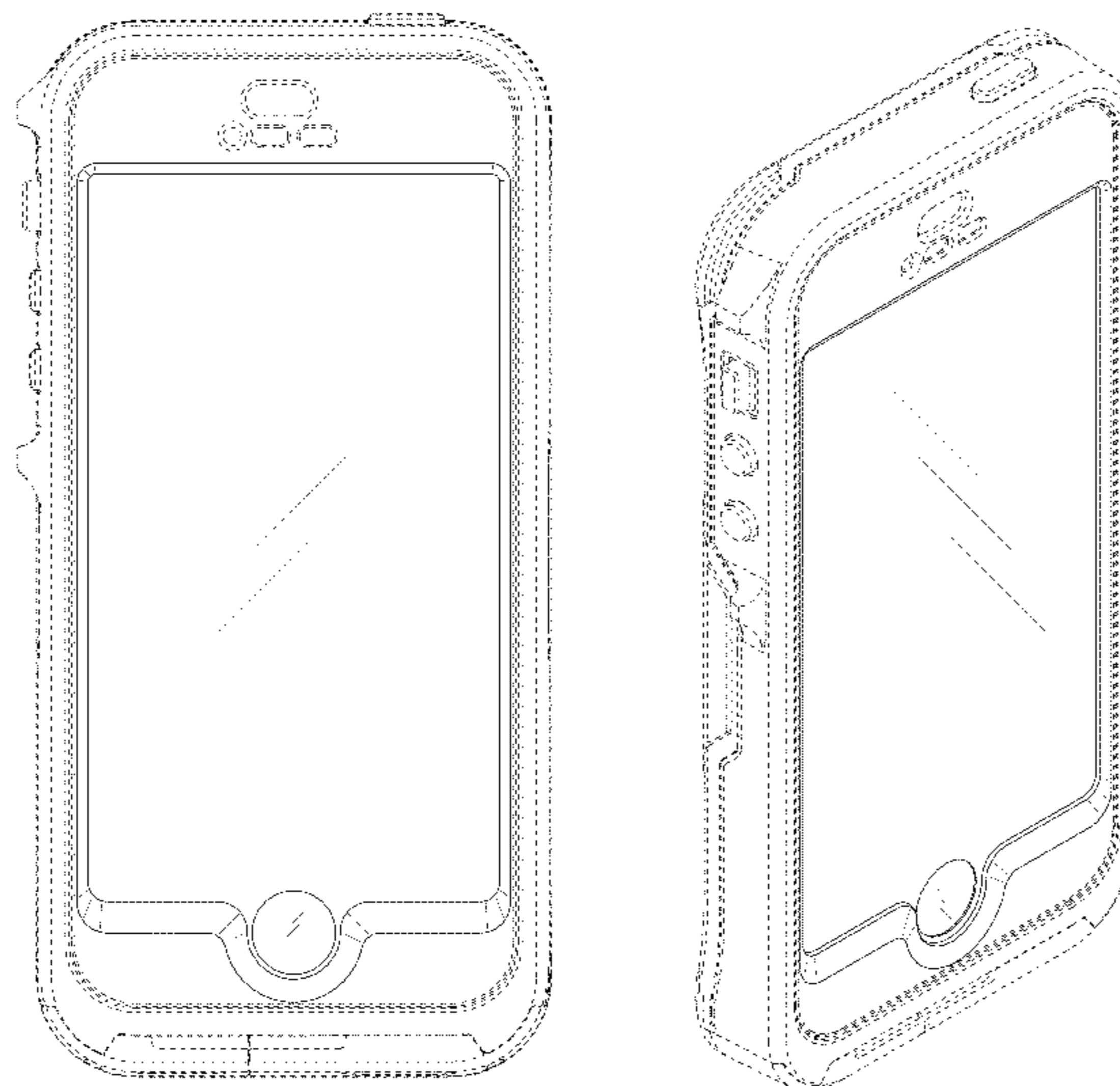
(57) **CLAIM**

The ornamental design for a case for electronic device, as shown and described.

DESCRIPTION

FIG. 1 is a first front isometric view of a case for electronic device showing our new design; FIG. 2 is a front view thereof; and, FIG. 3 is a second front isometric view thereof. The broken lines depict unclaimed environment. The broken lines form no part of the claimed design.

1 Claim, 3 Drawing Sheets



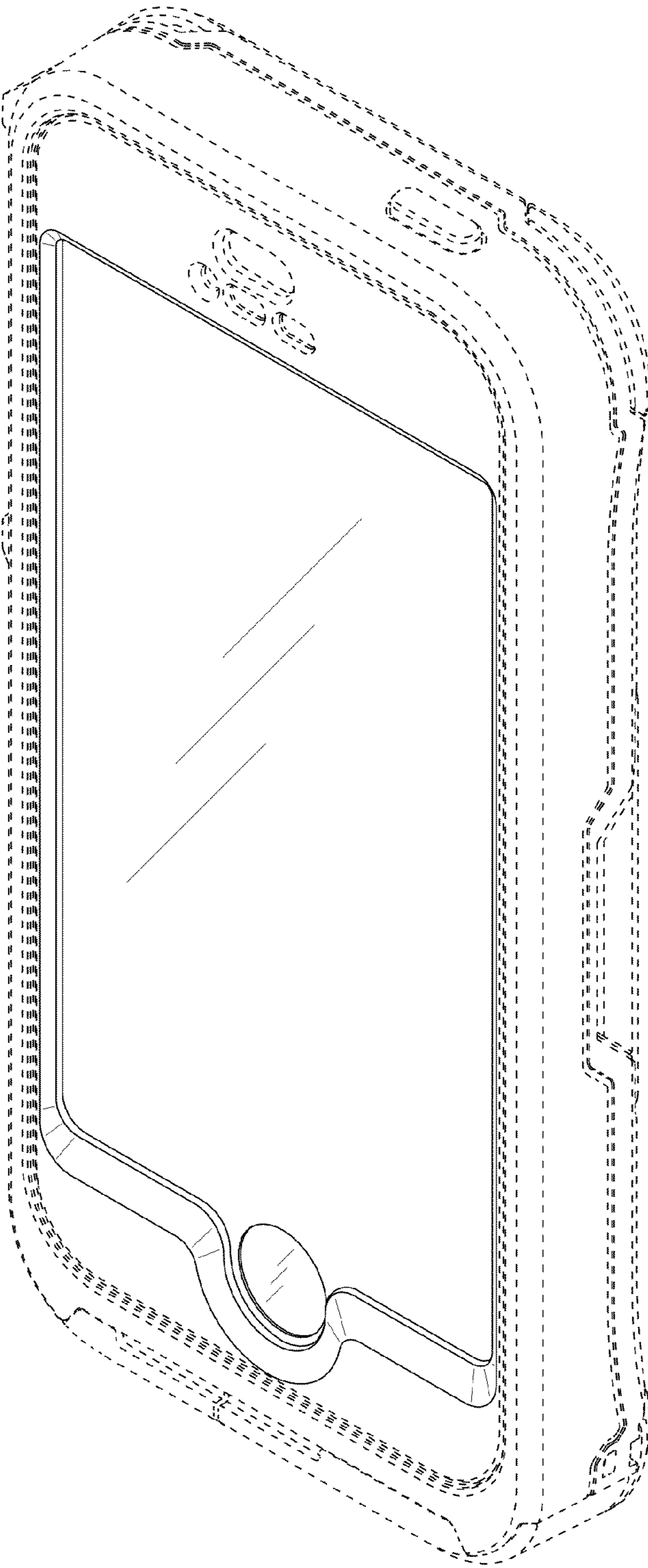


FIG. 1

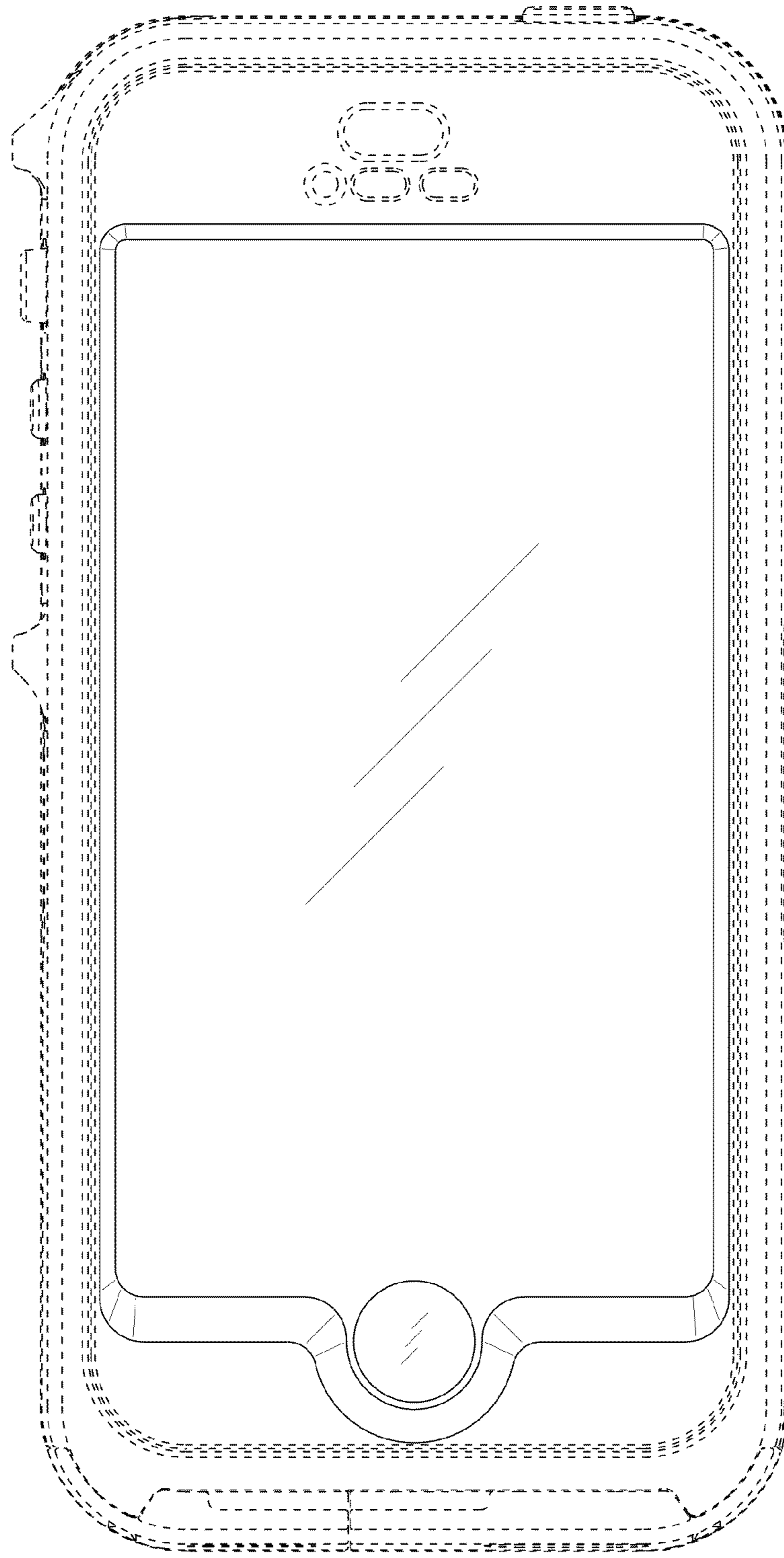


FIG. 2

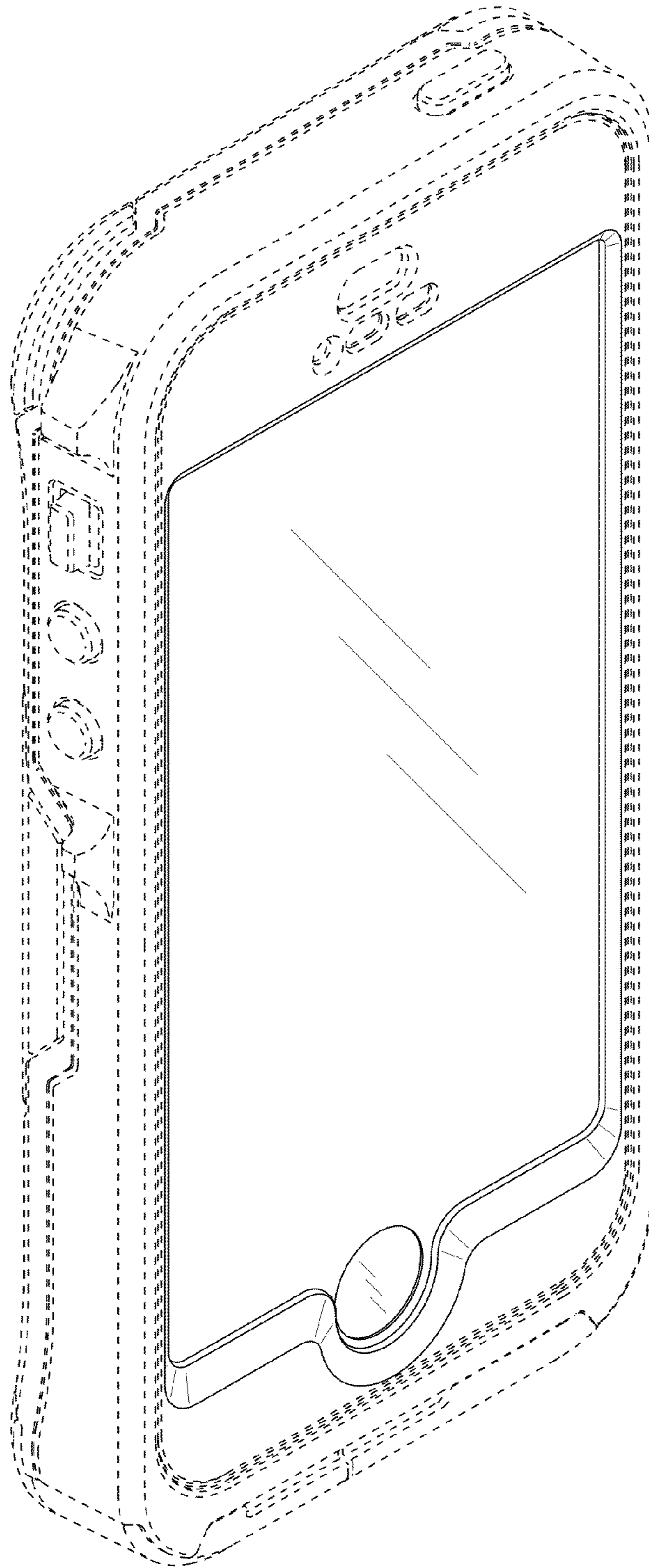


FIG. 3