



US00D709054S

(12) **United States Design Patent**
McConnell et al.

(10) **Patent No.:** **US D709,054 S**
(45) **Date of Patent:** **** Jul. 15, 2014**

(54) **AUDIO INTERFACE**

(75) Inventors: **John W. McConnell**, Saint Joseph, MI (US); **Daniel V. Clements**, Crown Point, IN (US); **Dickon Isaacs**, Chicago, IL (US)

(73) Assignee: **Motorola Mobility LLC**, Chicago, IL (US)

(**) Term: **14 Years**

(21) Appl. No.: **29/417,751**

(22) Filed: **Apr. 9, 2012**

(51) **LOC (10) Cl.** **14-03**

(52) **U.S. Cl.**
USPC **D14/243**

(58) **Field of Classification Search**
USPC D14/243, 240-242, 356-358, 114, D14/138 AB, 140.1-140.6, 140, 155, 159, D14/137, 149, 150, 349, 351, 348, 353-355, D14/170-171, 225, 217, 218, 125, 251-253, D14/363, 370, 411, 433, 435.1, 436, 188, D14/196, 223, 203.3, 203.4, 203.73; D13/107-110, 118-119, 184, 199, 133, D13/152, 147; 361/679.4, 679.56, 679.03, 361/679.26; 340/7.54; 381/374; 455/575.7; D21/329

See application file for complete search history.

(56) **References Cited**

U.S. PATENT DOCUMENTS

D380,199 S *	6/1997	Beruscha et al.	D13/184
6,021,310 A *	2/2000	Thorne	340/7.54
D566,710 S *	4/2008	Chun et al.	D14/358
D575,775 S *	8/2008	Sekine	D14/242
D576,142 S *	9/2008	Park et al.	D14/138 AB
D586,339 S *	2/2009	Varsavsky	
		Waisman-Diamond	D14/240
D588,155 S *	3/2009	Fullerton	D14/496
D589,531 S *	3/2009	Fullerton	D14/496

D593,082 S *	5/2009	Jeon	D14/240
D606,512 S *	12/2009	Wood et al.	D14/203.7
D622,721 S *	8/2010	Wood et al.	D14/341
D633,068 S *	2/2011	Chen et al.	D14/138 G
D640,649 S *	6/2011	Luo	D14/125
D644,989 S *	9/2011	Guccione et al.	D13/108
8,055,005 B2 *	11/2011	Liu et al.	381/374
D650,327 S *	12/2011	Kingston	D13/107
D658,647 S *	5/2012	Tsai	D14/356
D671,090 S *	11/2012	Birger	D14/149

(Continued)

OTHER PUBLICATIONS

Daniel V. Clements, et al., "Audio Interface", Oct. 4, 2010, U.S. Appl. No. 29/376,212.

(Continued)

Primary Examiner — Susan Bennett Hattan

Assistant Examiner — Marie Fast Horse

(74) *Attorney, Agent, or Firm* — Gary J. Cunningham

(57) **CLAIM**

The ornamental design for an audio interface, as shown and described.

DESCRIPTION

FIG. 1 is a front perspective view of an ornamental design for an audio interface;

FIG. 2 is a rear perspective view thereof;

FIG. 3 is a top view thereof;

FIG. 4 is a bottom view thereof;

FIG. 5 is a first side view thereof;

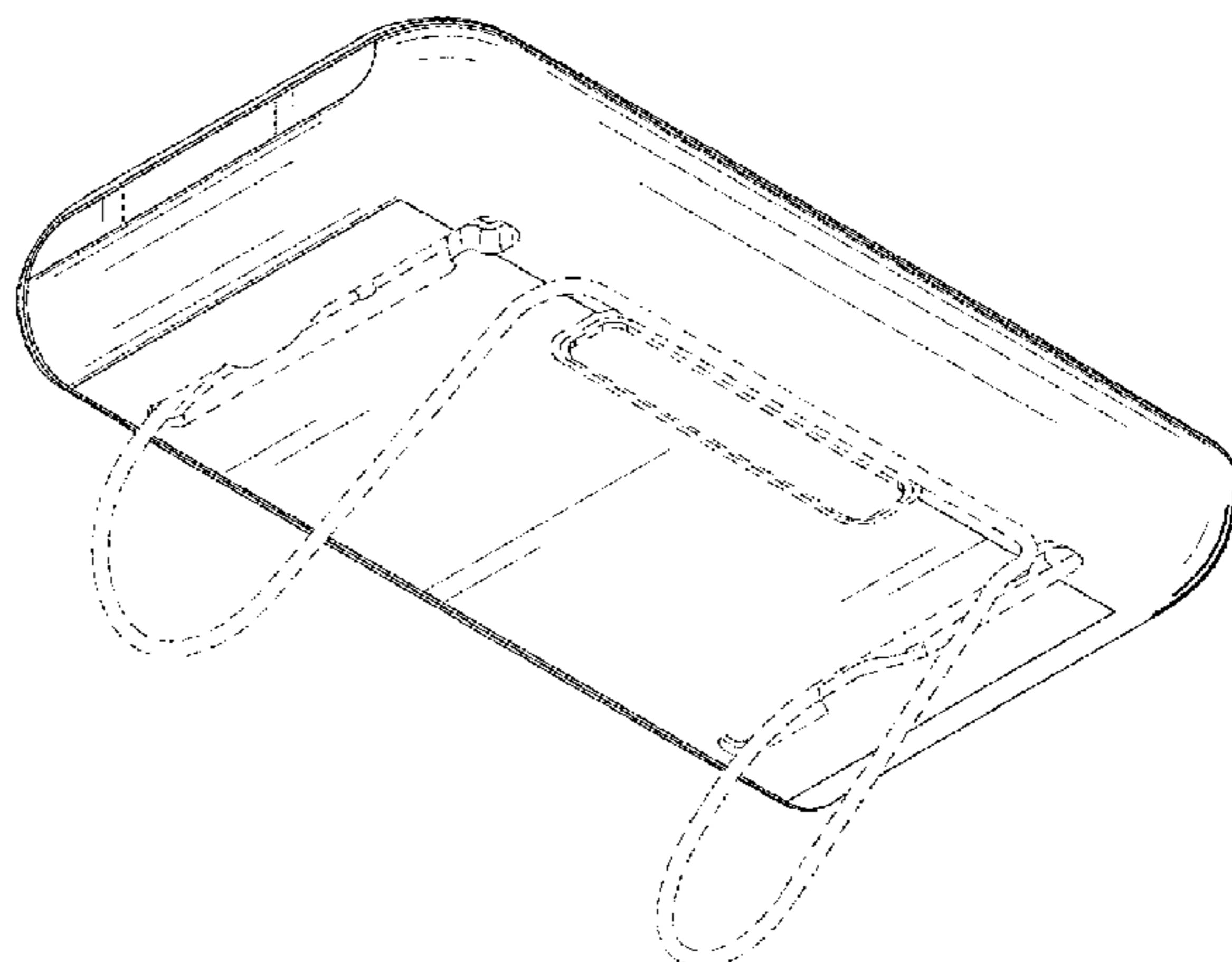
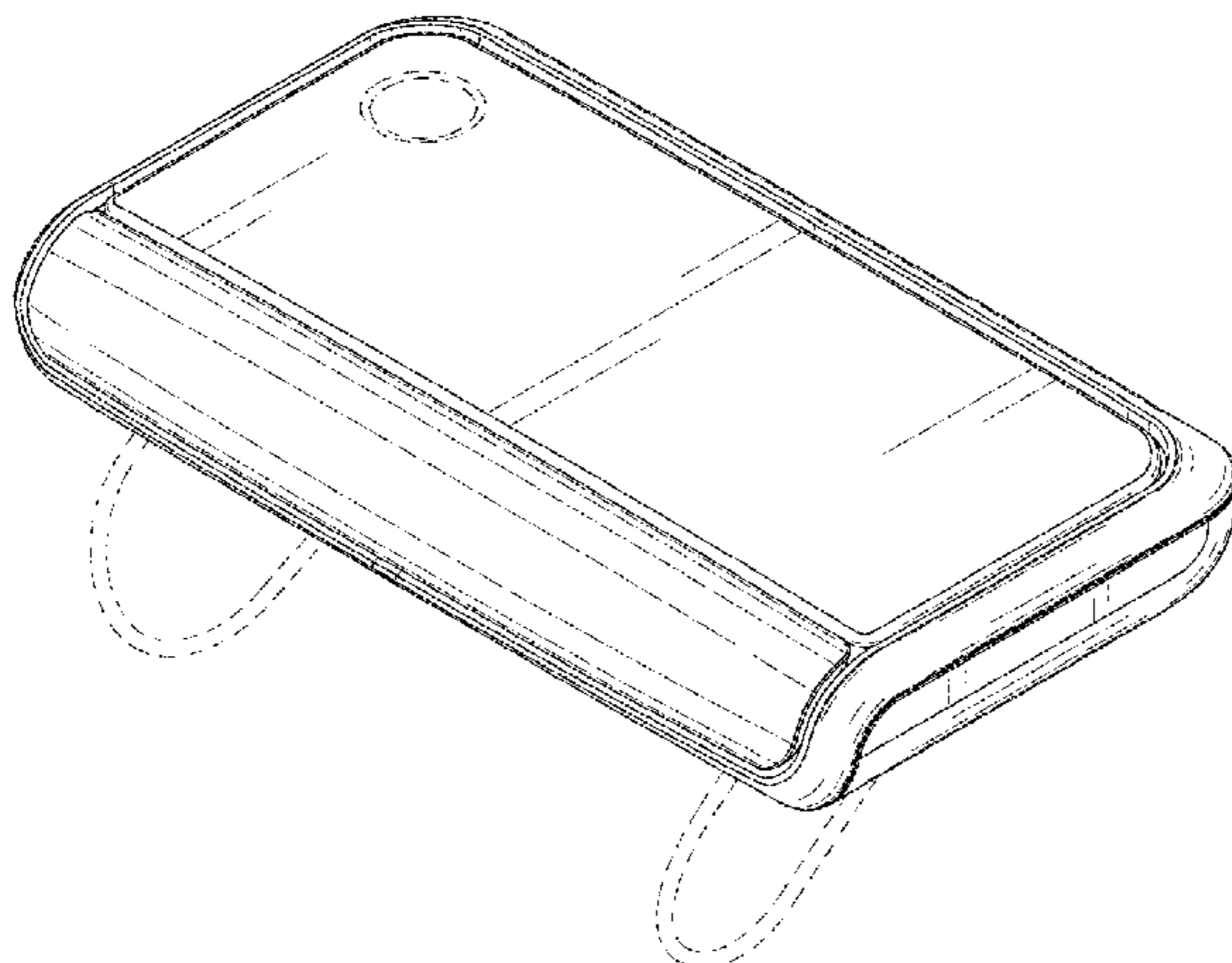
FIG. 6 is a second side view thereof;

FIG. 7 is a front view thereof; and,

FIG. 8 is a rear view thereof.

The broken lines shown in FIGS. 1-8, that are immediately adjacent to the shaded areas, and define unshaded regions, represent the bounds of the claim, while all other broken lines are directed to environment and are for illustrative purposes only; the broken lines form no part of the claim.

1 Claim, 5 Drawing Sheets



(56)

References Cited

D695,219 S * 12/2013 Dasbach D13/110

U.S. PATENT DOCUMENTS

OTHER PUBLICATIONS

D674,784 S * 1/2013 Choi D14/240
D675,156 S * 1/2013 Vandiver et al. D13/108
D675,196 S * 1/2013 Maddern D14/240
D676,808 S * 2/2013 Zhou D13/108
D690,647 S * 10/2013 Huang et al. D13/108

Tianzhu Wang, et al, Interface, "Audio Interface", May 6, 2010, U.S.
Appl. No. 29/361,194.

* cited by examiner

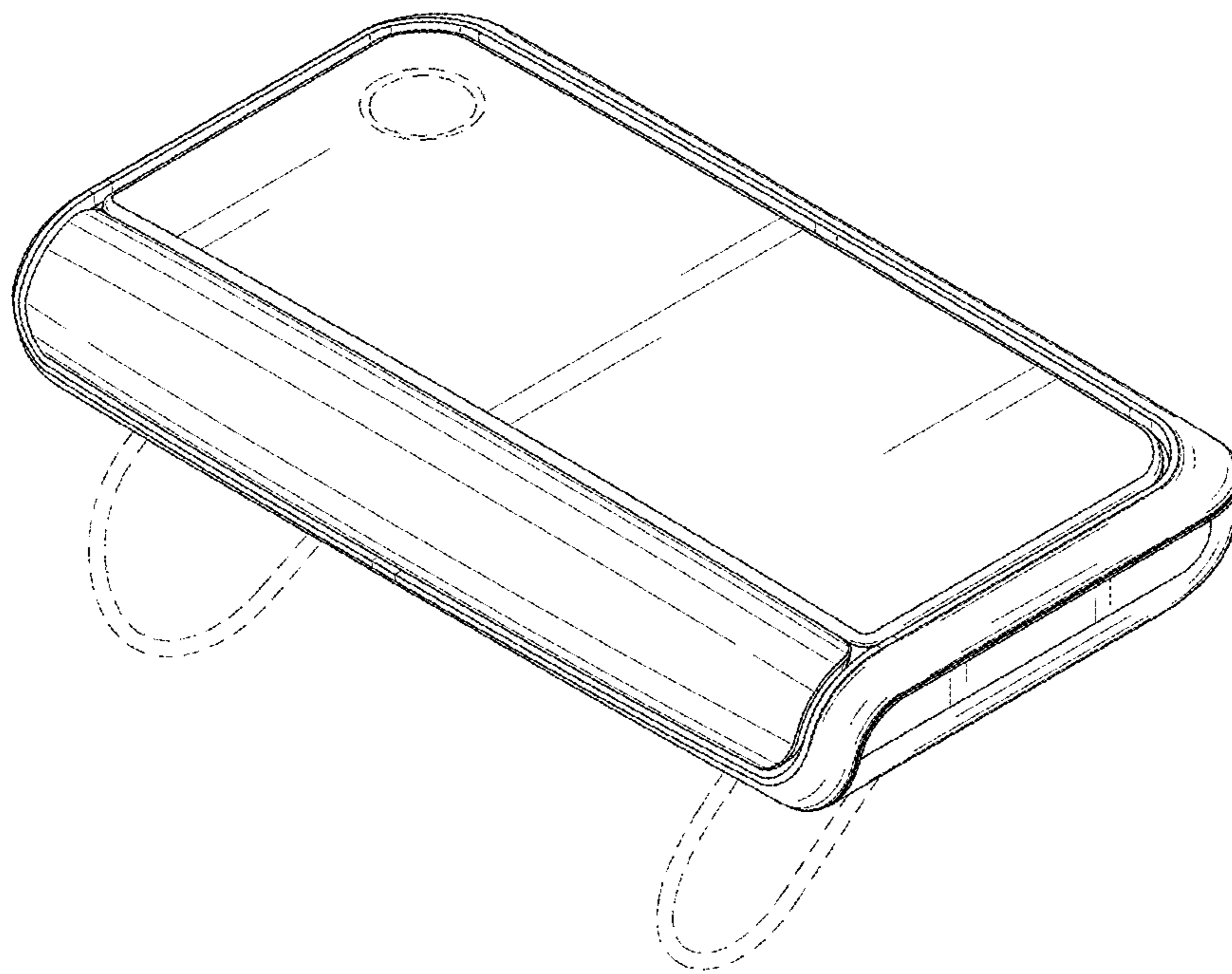


FIG. 1

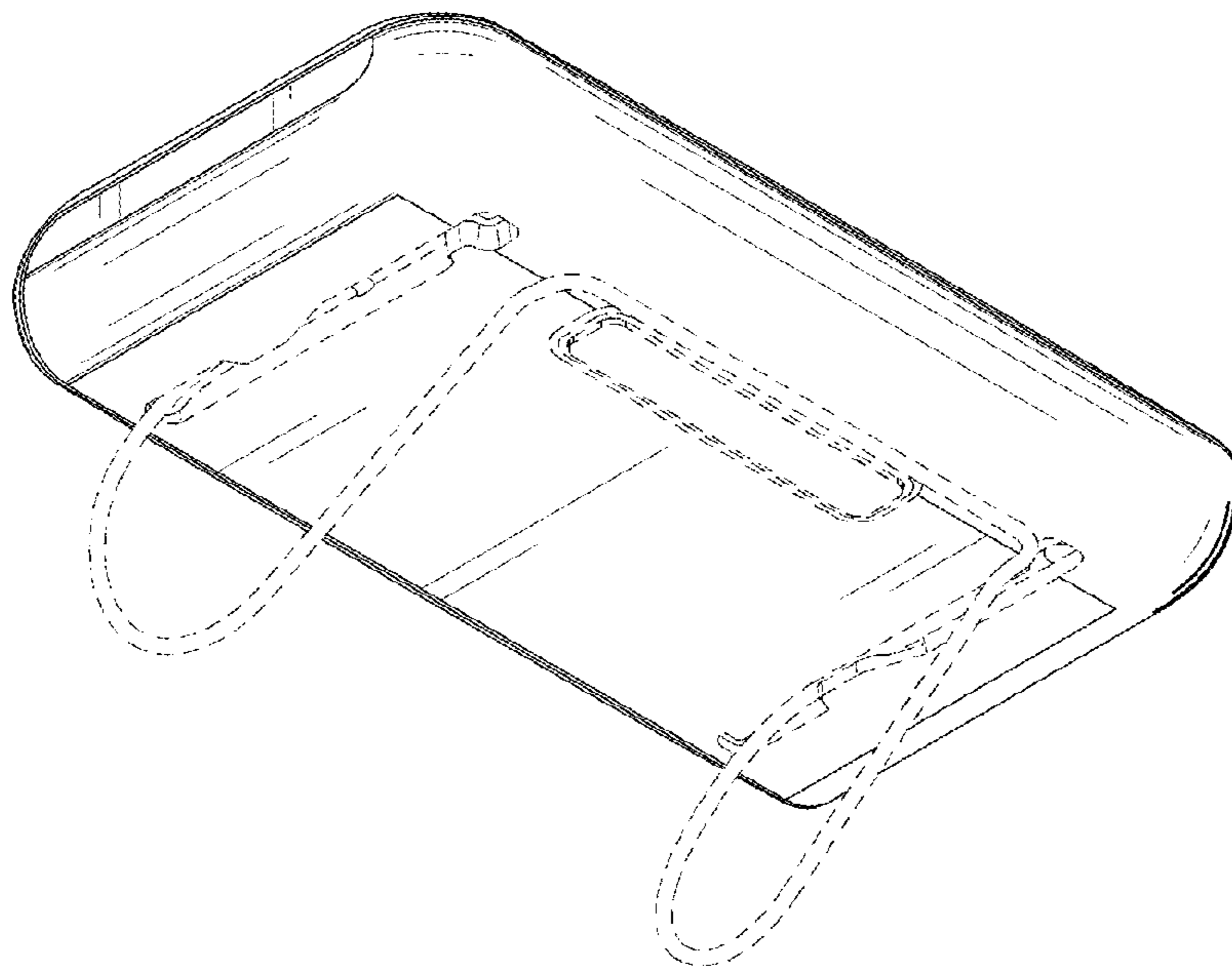


FIG. 2

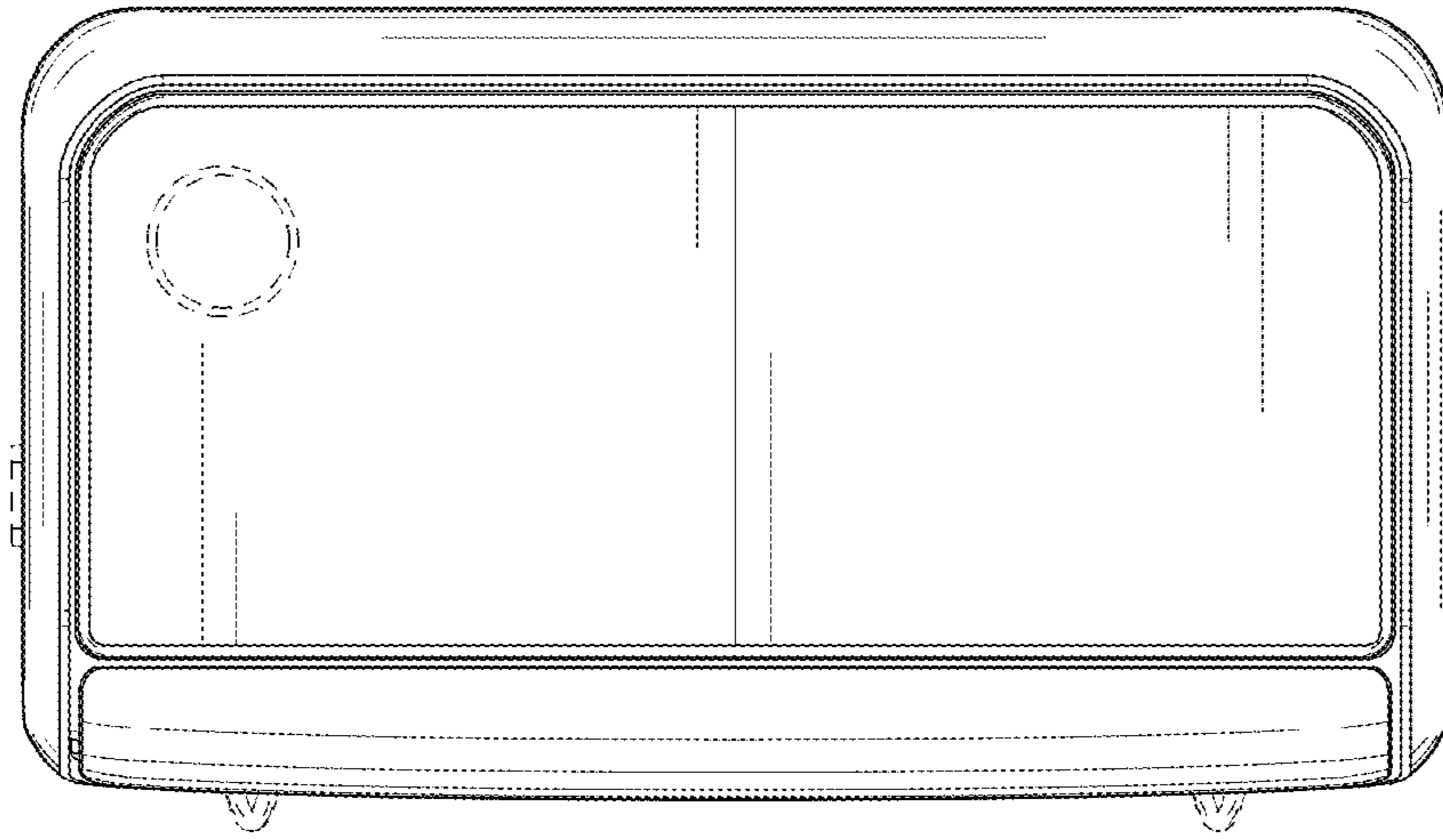


FIG. 3

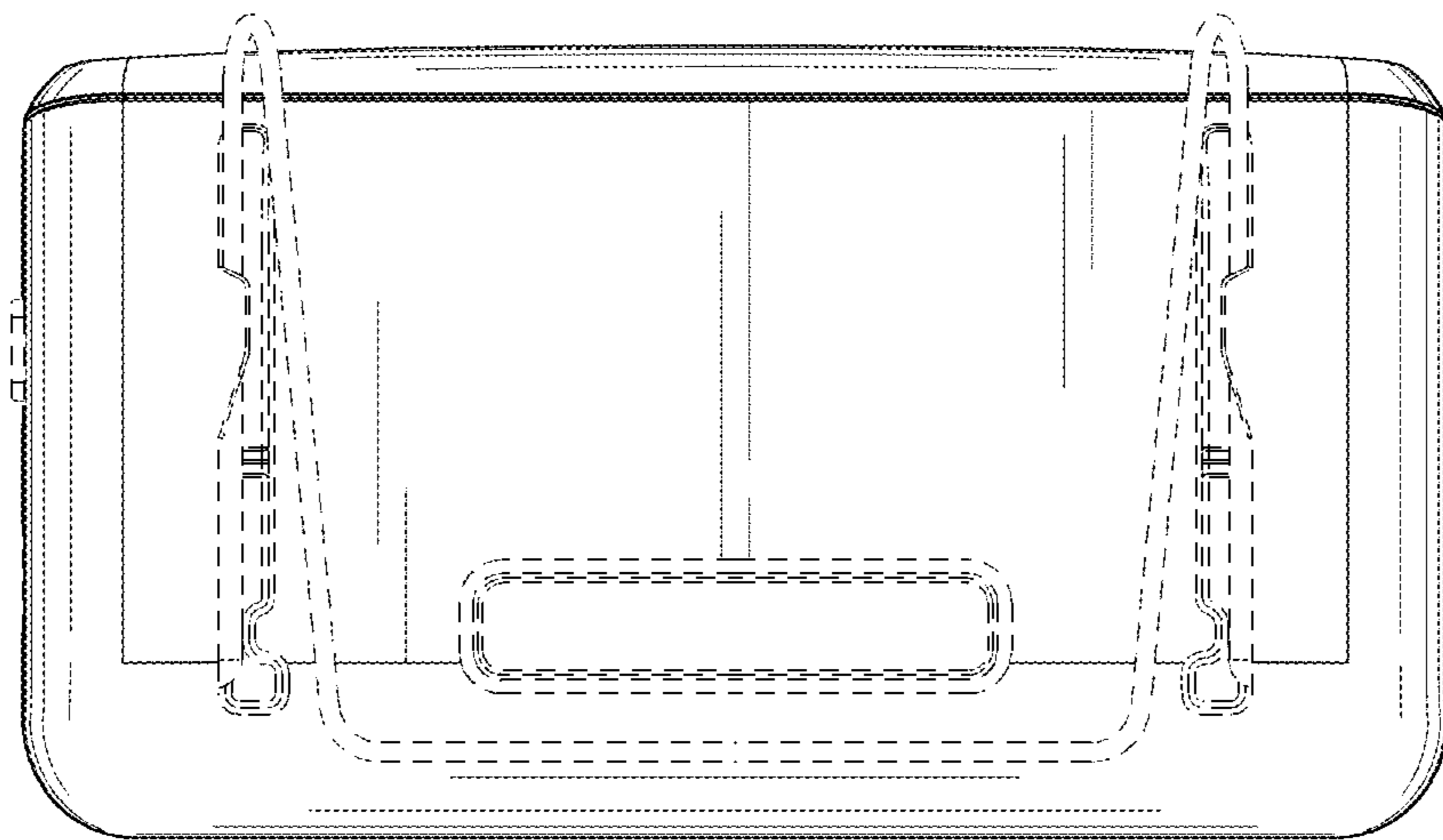


FIG. 4

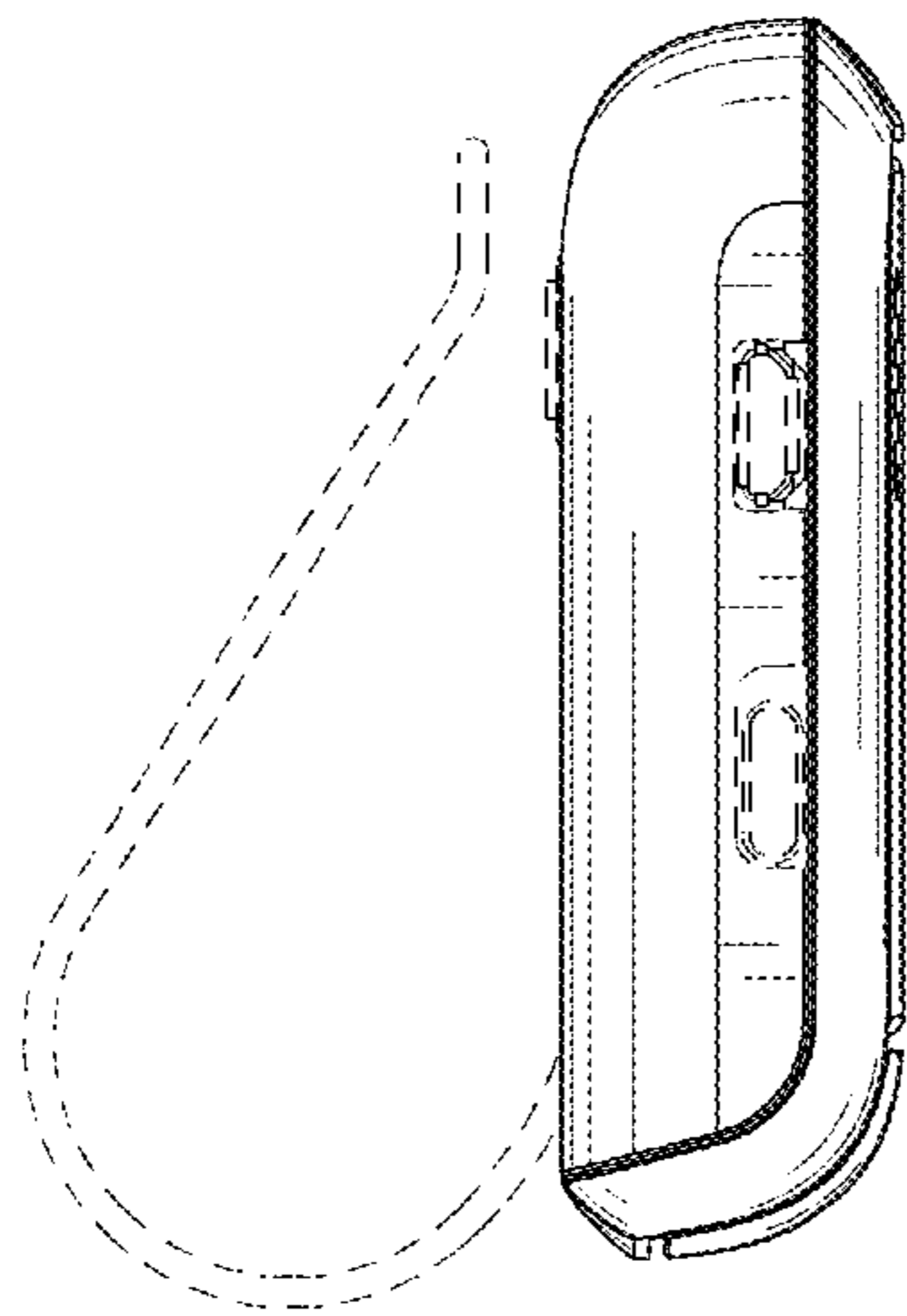


FIG. 5

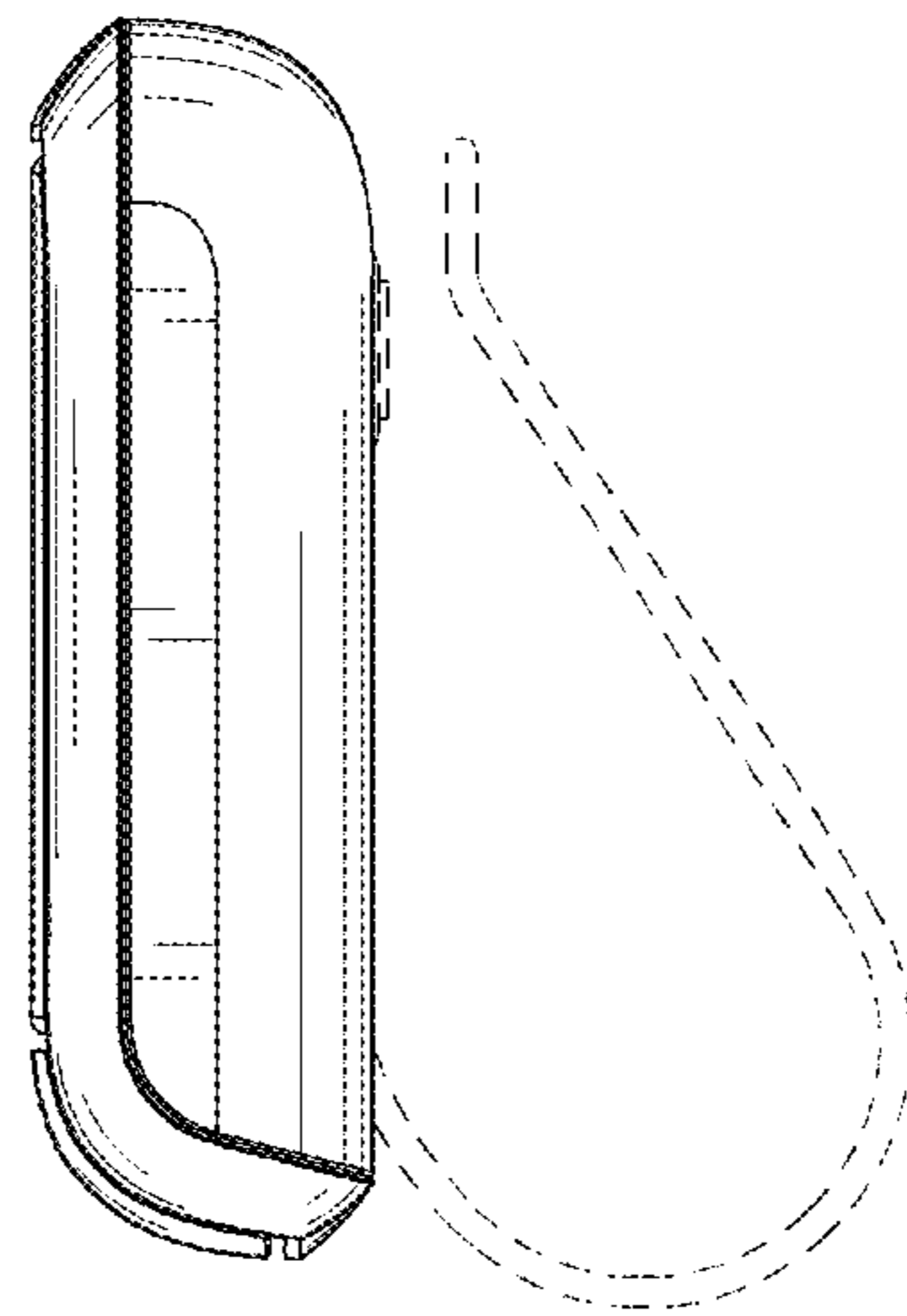


FIG. 6

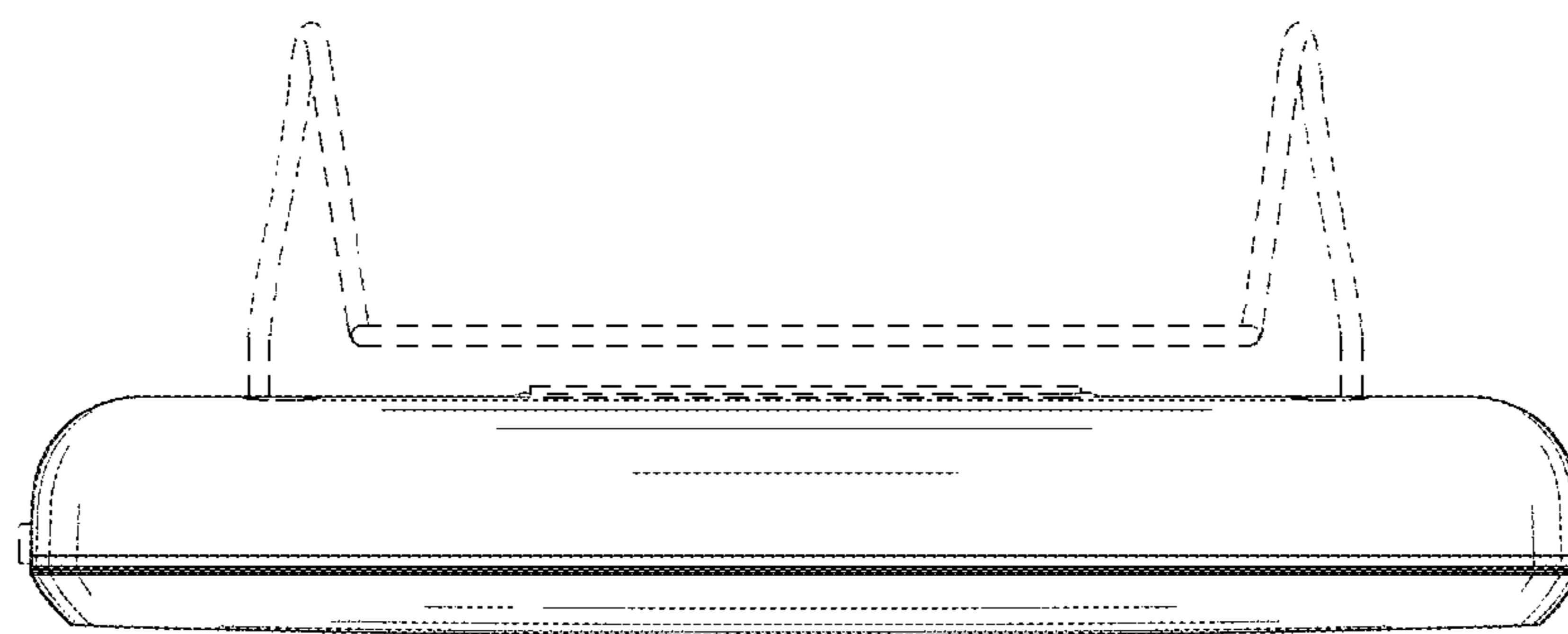


FIG. 7

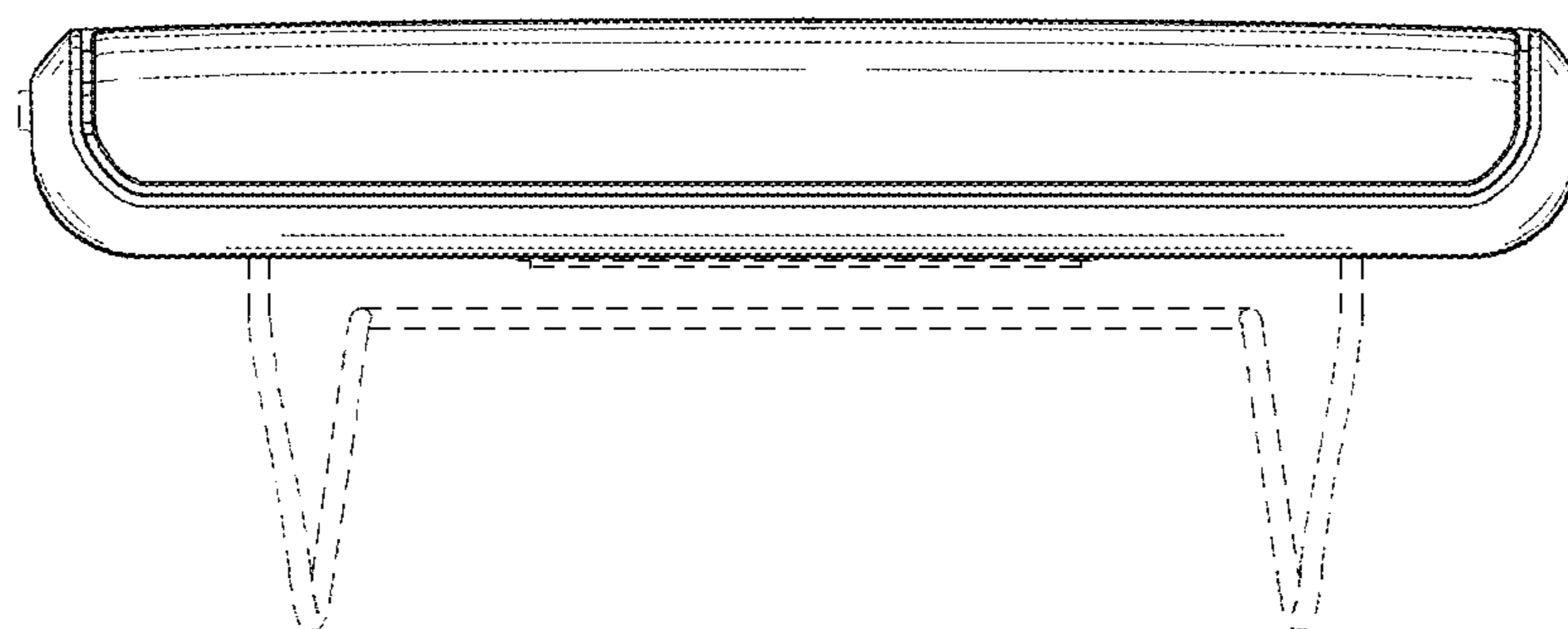


FIG. 8