



US00D709050S

(12) **United States Design Patent**
Enquist

(10) **Patent No.:** **US D709,050 S**
(45) **Date of Patent:** **** Jul. 15, 2014**

(54) **PARTS OF MARSHALL MONITOR
HEADPHONE**

(71) Applicant: **Zound Industries International AB,**
Stockholm (SE)

(72) Inventor: **Andreas Enquist,** Hägersten (SE)

(73) Assignee: **Zound Industries International AB,**
Stockholm (SE)

(**) Term: **14 Years**

(21) Appl. No.: **29/455,509**

(22) Filed: **May 21, 2013**

(30) **Foreign Application Priority Data**

Nov. 21, 2012 (EM) 002140053-0002
Nov. 21, 2012 (EM) 002140053-0003

(51) **LOC (10) Cl.** **14-01**

(52) **U.S. Cl.**
CPC **H04R 1/1008** (2013.01)
USPC **D14/205**

(58) **Field of Classification Search**
CPC H04R 1/1008
USPC D14/205, 206, 223, 188, 192, 496;
D29/112; 2/209; 181/129, 130, 135;
379/430, 431; 381/380, 381, 374, 372,
381/373
See application file for complete search history.

(56) **References Cited**

U.S. PATENT DOCUMENTS

2,459,325 A * 1/1949 Knowles 381/151
2,883,671 A * 4/1959 Hornickel 2/209
3,220,505 A * 11/1965 Hargrave 181/129

3,798,393 A * 3/1974 Gorike 381/372
D301,145 S * 5/1989 Besasie et al. D14/205
4,944,361 A * 7/1990 Lindgren et al. 181/129
5,996,123 A * 12/1999 Leight et al. 2/209
6,353,938 B1 * 3/2002 Young 2/209
D467,895 S * 12/2002 Hirano D14/192
D491,163 S * 6/2004 Green D14/205
D508,483 S * 8/2005 Suzuki D14/223
7,388,960 B2 * 6/2008 Kuo et al. 381/186
D598,898 S * 8/2009 Davidson D14/215
D616,419 S * 5/2010 Suwalski et al. D14/206
7,766,120 B2 * 8/2010 Hansson et al. 181/129
D635,958 S * 4/2011 Ando et al. D14/205
D642,554 S * 8/2011 Schaal et al. D14/205
8,098,872 B2 * 1/2012 Chang 381/371
8,213,644 B2 * 7/2012 Choi 381/151
D665,775 S * 8/2012 Katsumata D14/205
D668,632 S * 10/2012 Enquist D14/205
D668,633 S * 10/2012 Enquist D14/205

(Continued)

Primary Examiner — Paula Greene

(74) *Attorney, Agent, or Firm* — Capitol City TechLaw

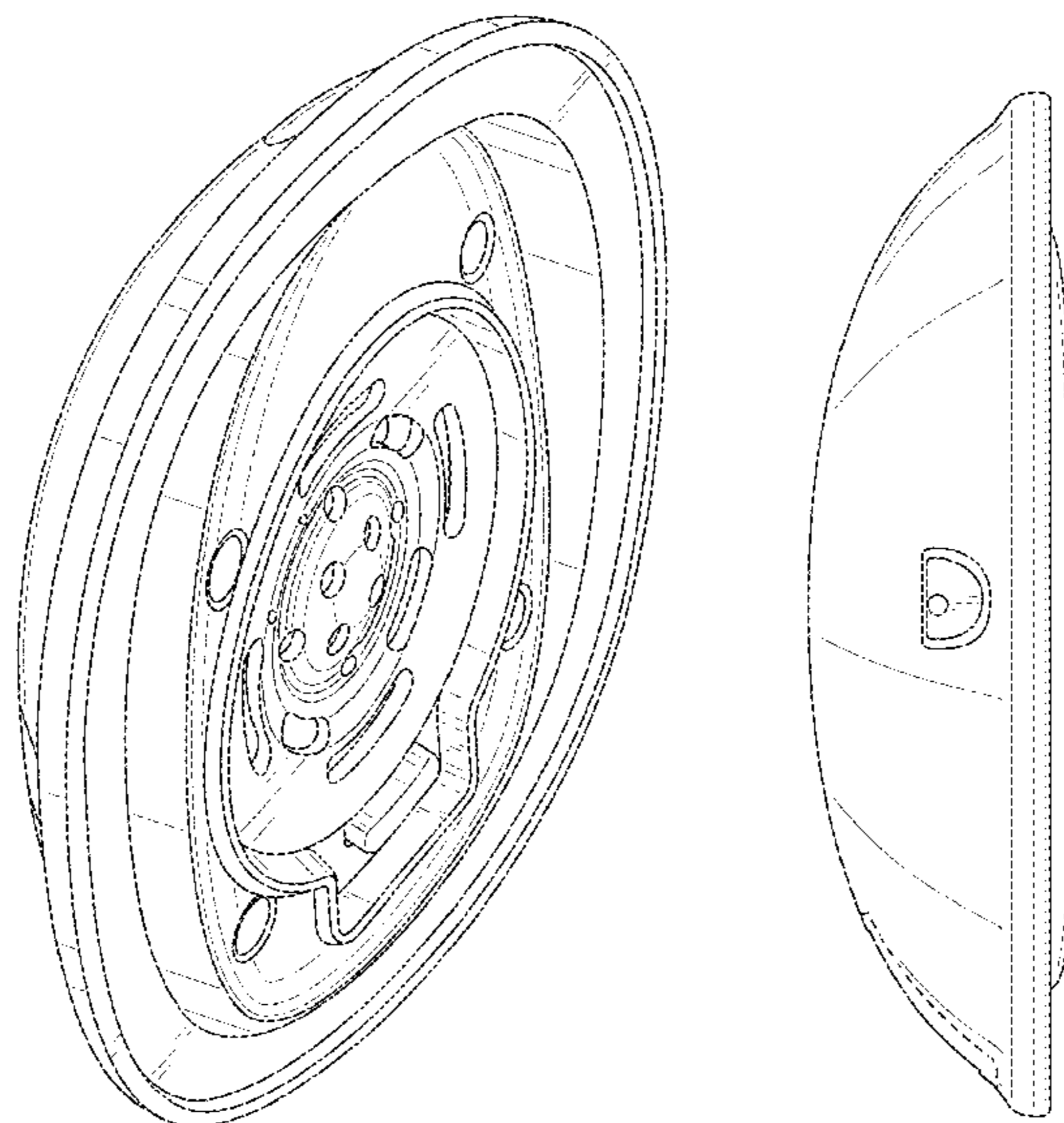
(57) **CLAIM**

The ornamental design for parts of Marshall monitor head-
phone, as shown and described.

DESCRIPTION

FIG. 1 is a front, top, and left side perspective view of parts of Marshall monitor headphone showing my new design;
FIG. 2 is a front view thereof;
FIG. 3 is a rear view thereof;
FIG. 4 is a left side view thereof;
FIG. 5 is a right side view thereof;
FIG. 6 is a bottom view thereof; and,
FIG. 7 is a top view thereof.
The broken lines shown in the figures are included for the purpose of illustrating portions of parts of Marshall monitor headphone that form no part of the claimed design.

1 Claim, 5 Drawing Sheets



US D709,050 S

Page 2

(56)

References Cited

U.S. PATENT DOCUMENTS

D677,243 S * 3/2013 Kitayama et al. D14/205
D684,140 S * 6/2013 Enquist et al. D14/205
D690,284 S * 9/2013 Brennwald D14/205

2004/0125977 A1* 7/2004 Hong et al. 381/376
2005/0213774 A1* 9/2005 Kleinschmidt et al. 381/71.6
2006/0104471 A1* 5/2006 Tsunoda et al. 381/374
2006/0204027 A1* 9/2006 Sung et al. 381/370
2008/0247588 A1* 10/2008 Yang 381/371

* cited by examiner

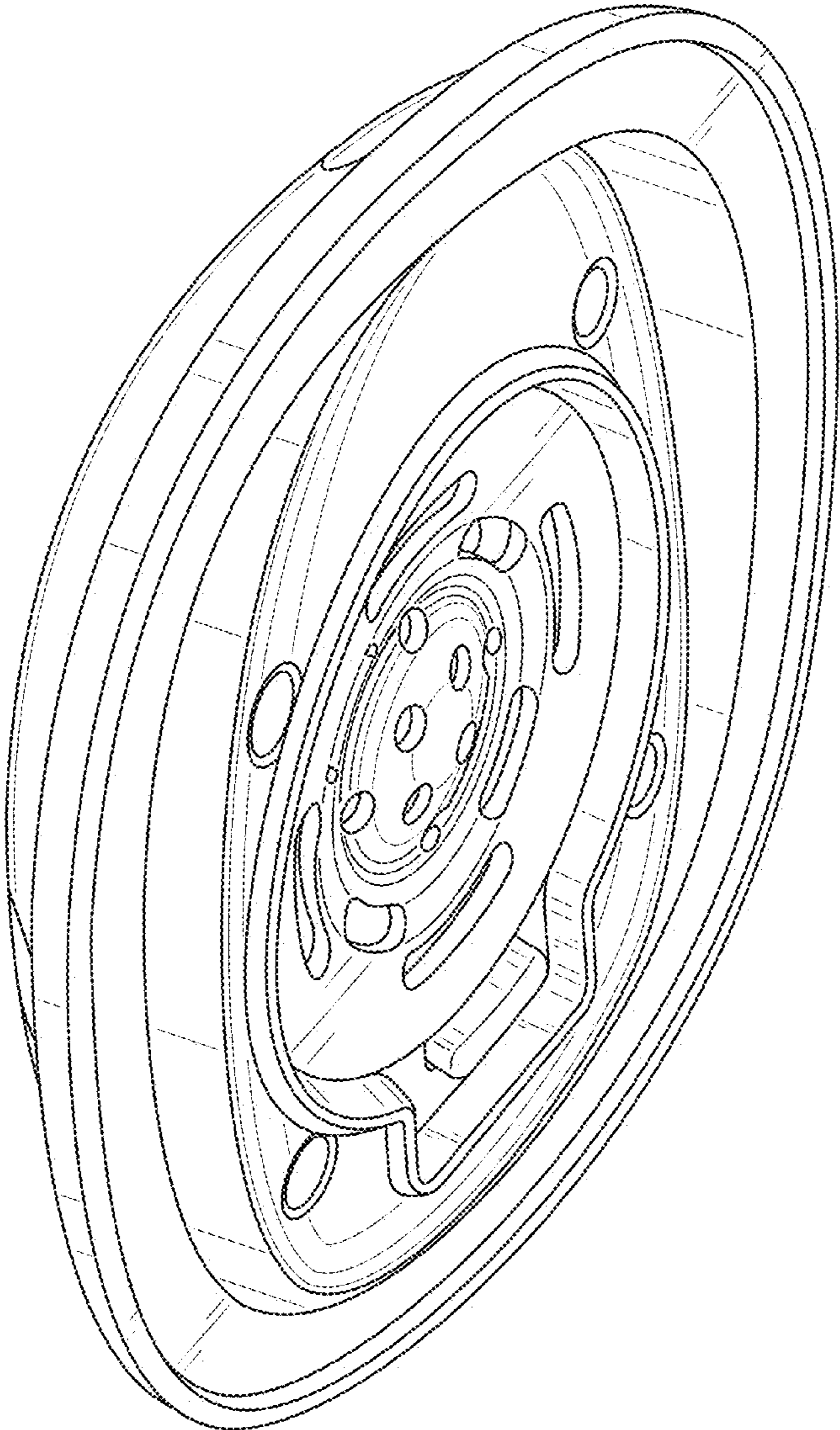


FIG. 1

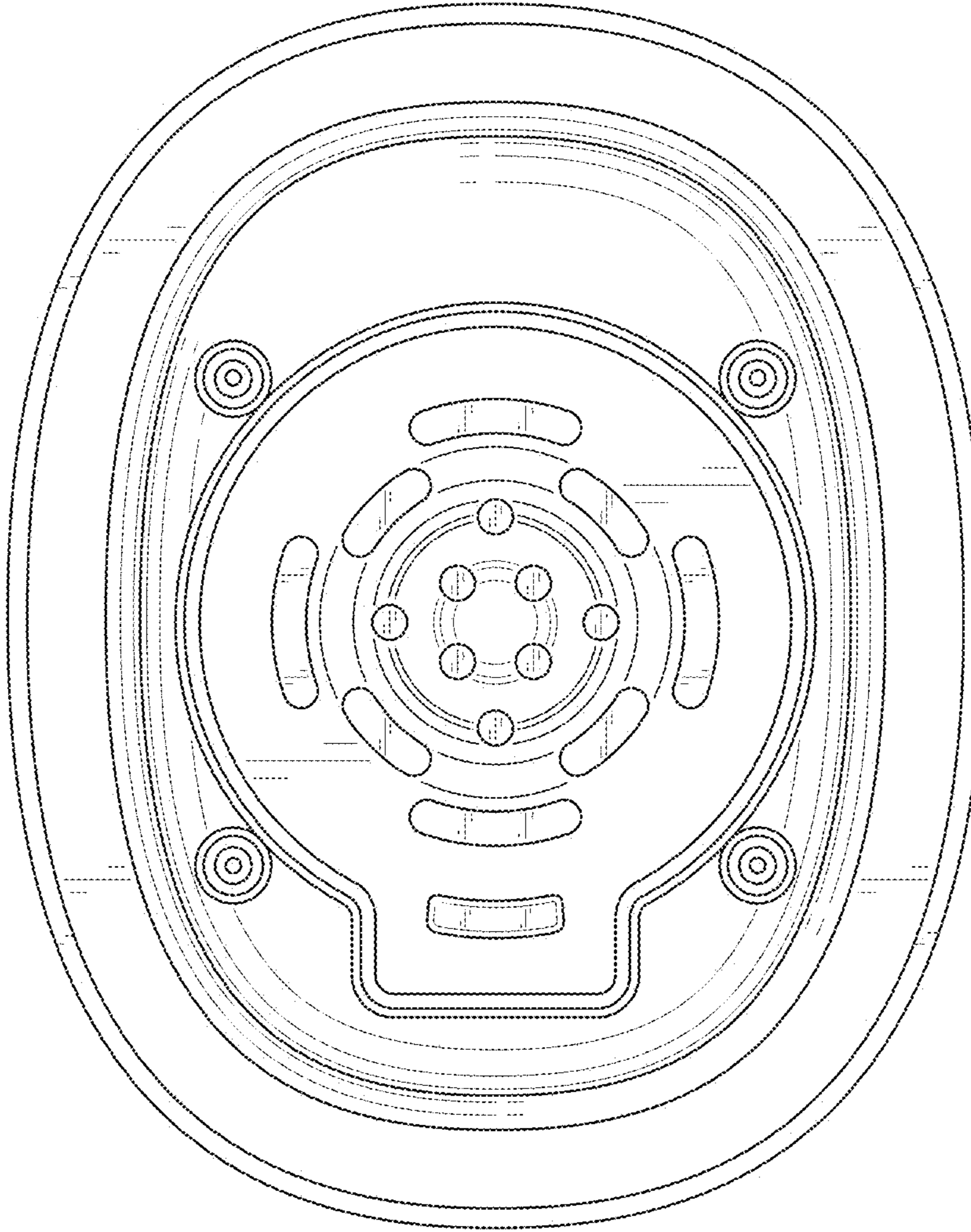


FIG. 2

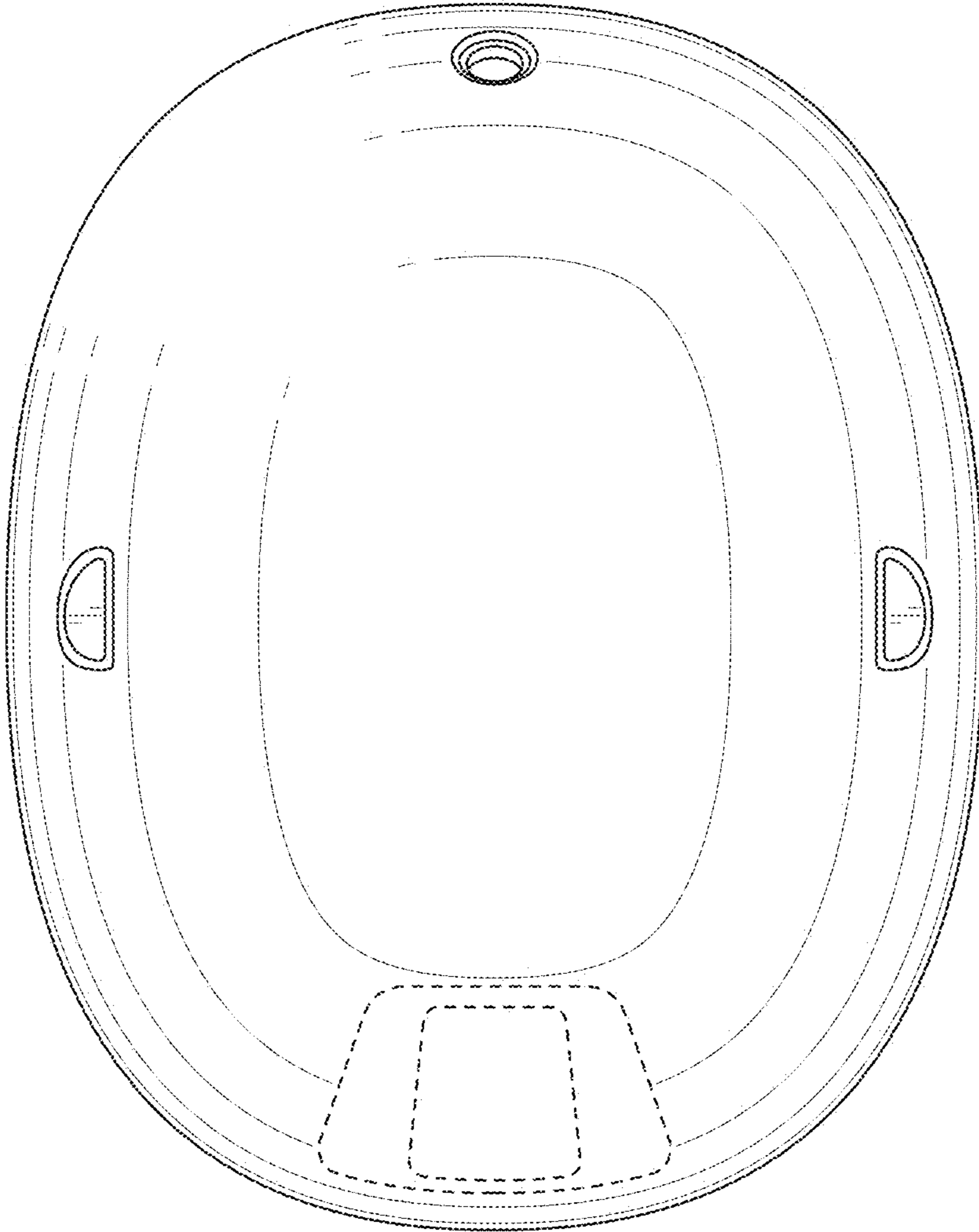


FIG. 3

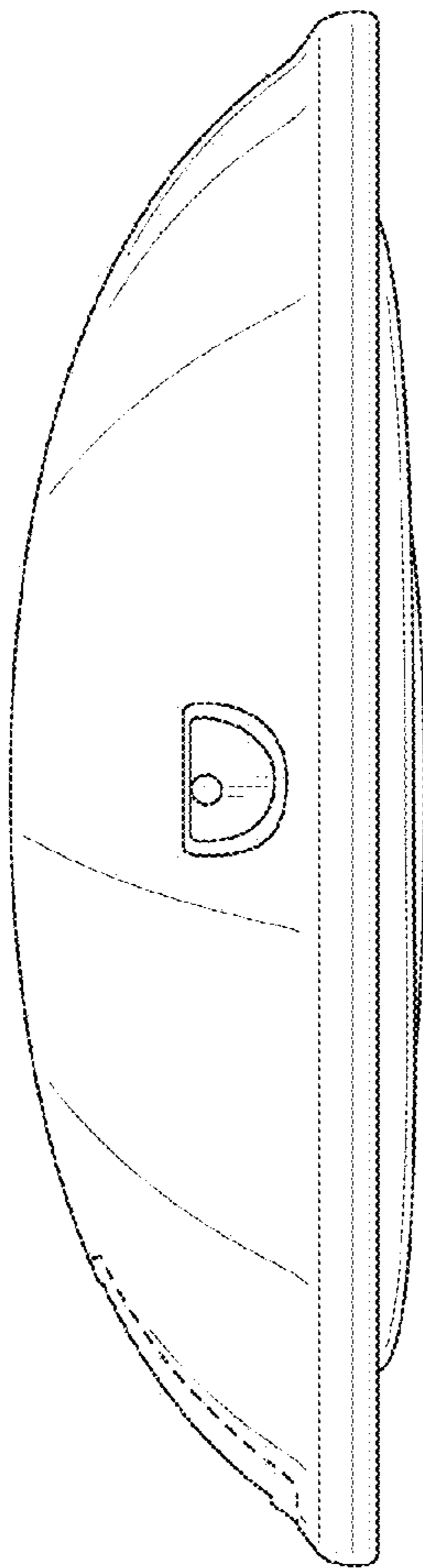


FIG. 4

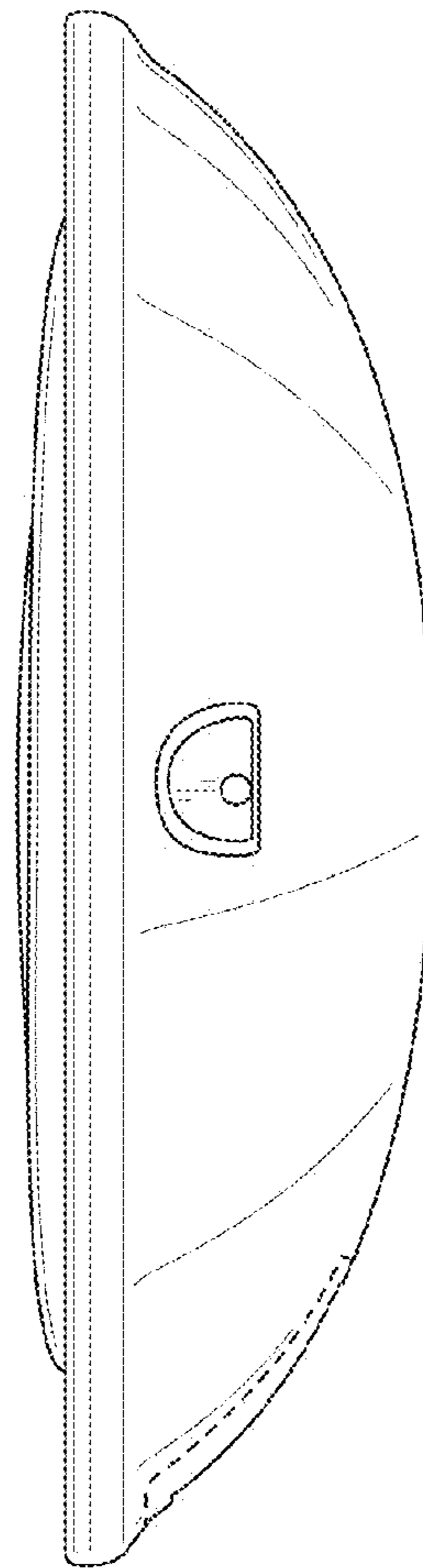


FIG. 5

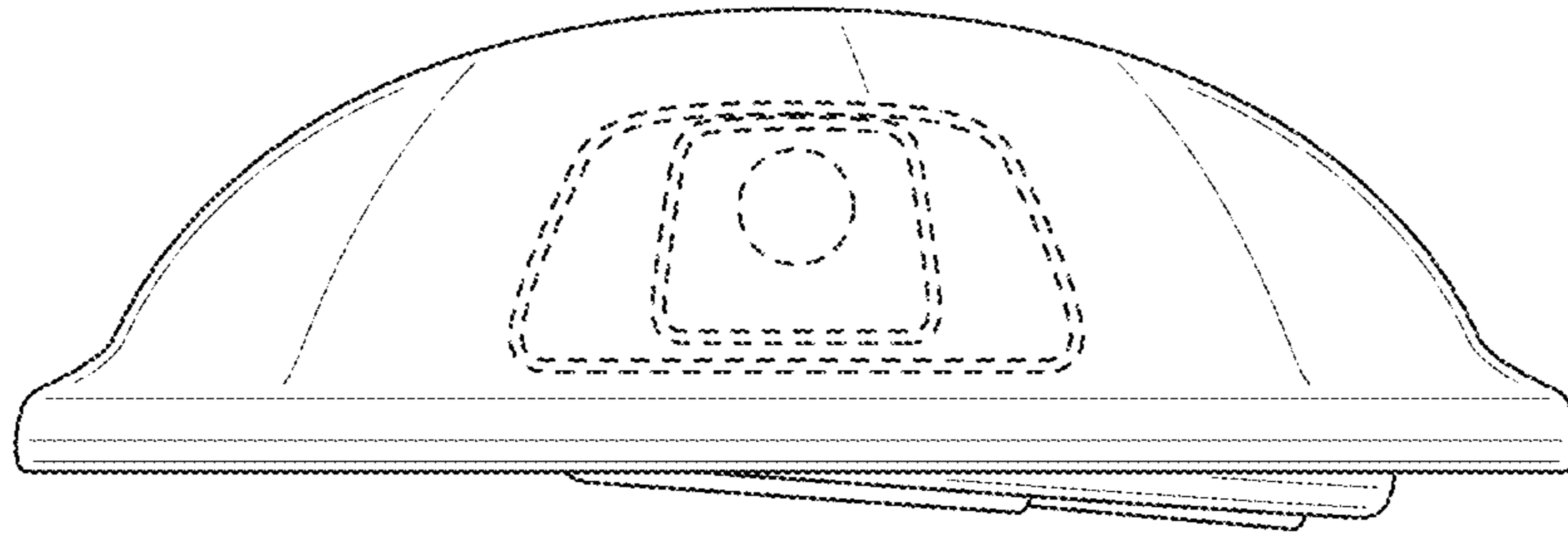


FIG. 6

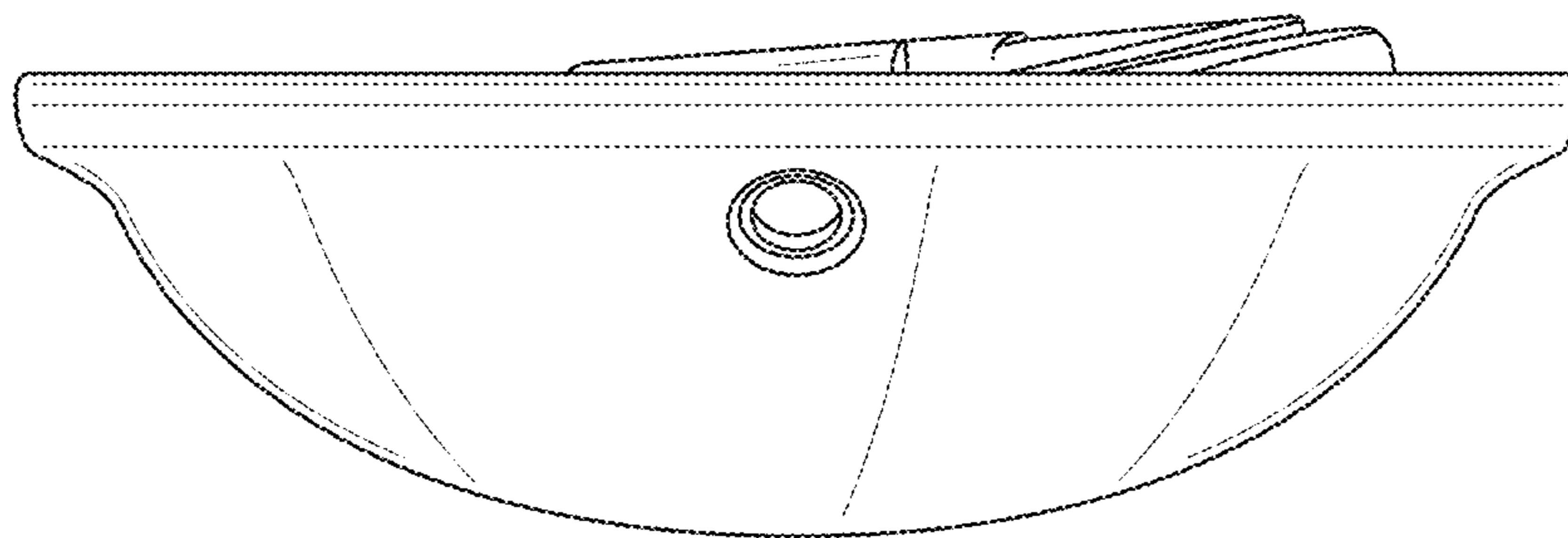


FIG. 7