



US00D709046S

(12) **United States Design Patent**  
**Broadbent**

(10) **Patent No.:** **US D709,046 S**  
(45) **Date of Patent:** **\*\* Jul. 15, 2014**

(54) **VEHICLE REQUEST DEVICE**

(71) Applicant: **TomTom International B.V.**,  
Amsterdam (NL)  
(72) Inventor: **Samuel Mark Broadbent**, Amsterdam  
(NL)  
(73) Assignee: **TomTom International B.V.**,  
Amsterdam (NL)

(\*\*) Term: **14 Years**

(21) Appl. No.: **29/436,822**

(22) Filed: **Nov. 9, 2012**

(30) **Foreign Application Priority Data**

May 11, 2012 (EM) ..... 002040428-0001

(51) **LOC (10) Cl.** ..... **14-03**

(52) **U.S. Cl.**  
USPC ..... **D14/142**

(58) **Field of Classification Search**  
CPC .... H04M 1/04; H04M 11/00; B60R 11/0258;  
G06Q 30/00  
USPC ..... D14/130, 140, 140.3, 142, 147-151,  
D14/329, 330, 434, 447, 241, 251, 253;  
D13/107, 108; 379/428.01-428.04,  
379/440, 446; 320/110, 113-115

See application file for complete search history.

(56) **References Cited**

U.S. PATENT DOCUMENTS

D268,342 S \* 3/1983 Genaro et al. .... D14/137  
D304,726 S \* 11/1989 Brooks et al. .... D14/149  
D460,431 S \* 7/2002 Narita ..... D14/149  
D505,421 S \* 5/2005 Byers et al. .... D14/346  
D512,368 S \* 12/2005 Roth ..... D12/423  
D570,819 S \* 6/2008 Franck et al. .... D14/149  
D690,326 S \* 9/2013 Scott et al. .... D15/28  
D691,096 S \* 10/2013 Beroukas et al. .... D13/162  
D695,234 S \* 12/2013 Santiago et al. .... D13/162

\* cited by examiner

*Primary Examiner* — Thomas Johannes  
*Assistant Examiner* — Holly E Thurman

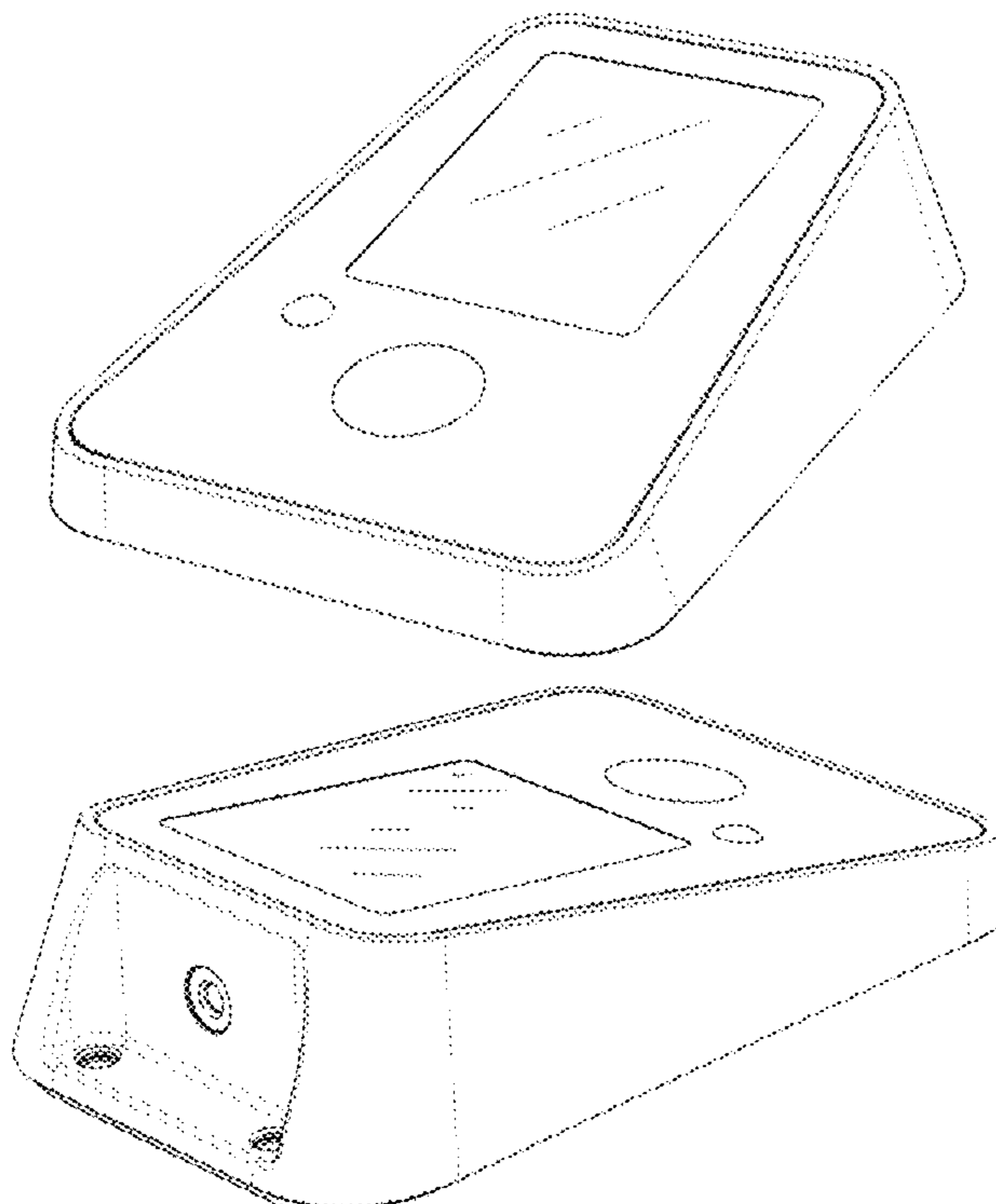
(57) **CLAIM**

I claim the ornamental design for a vehicle request device as shown, i.e. a device for requesting a vehicle, such as a taxi, to a location associated with the device.

**DESCRIPTION**

FIG. 1 is a perspective view showing the front of a vehicle request device.  
FIG. 2 is a perspective view showing the rear of the device.  
FIG. 3 is a top view of the device.  
FIG. 4 is a front view of the device.  
FIG. 5 is a bottom view of the device.  
FIG. 6 is a rear view of the device; and,  
FIG. 7 is a side view of the device, the left and right side views being the same.  
The device may be fixedly secured to a surface and arranged to provide feedback to users as to the status of any vehicle requests.

**1 Claim, 4 Drawing Sheets**



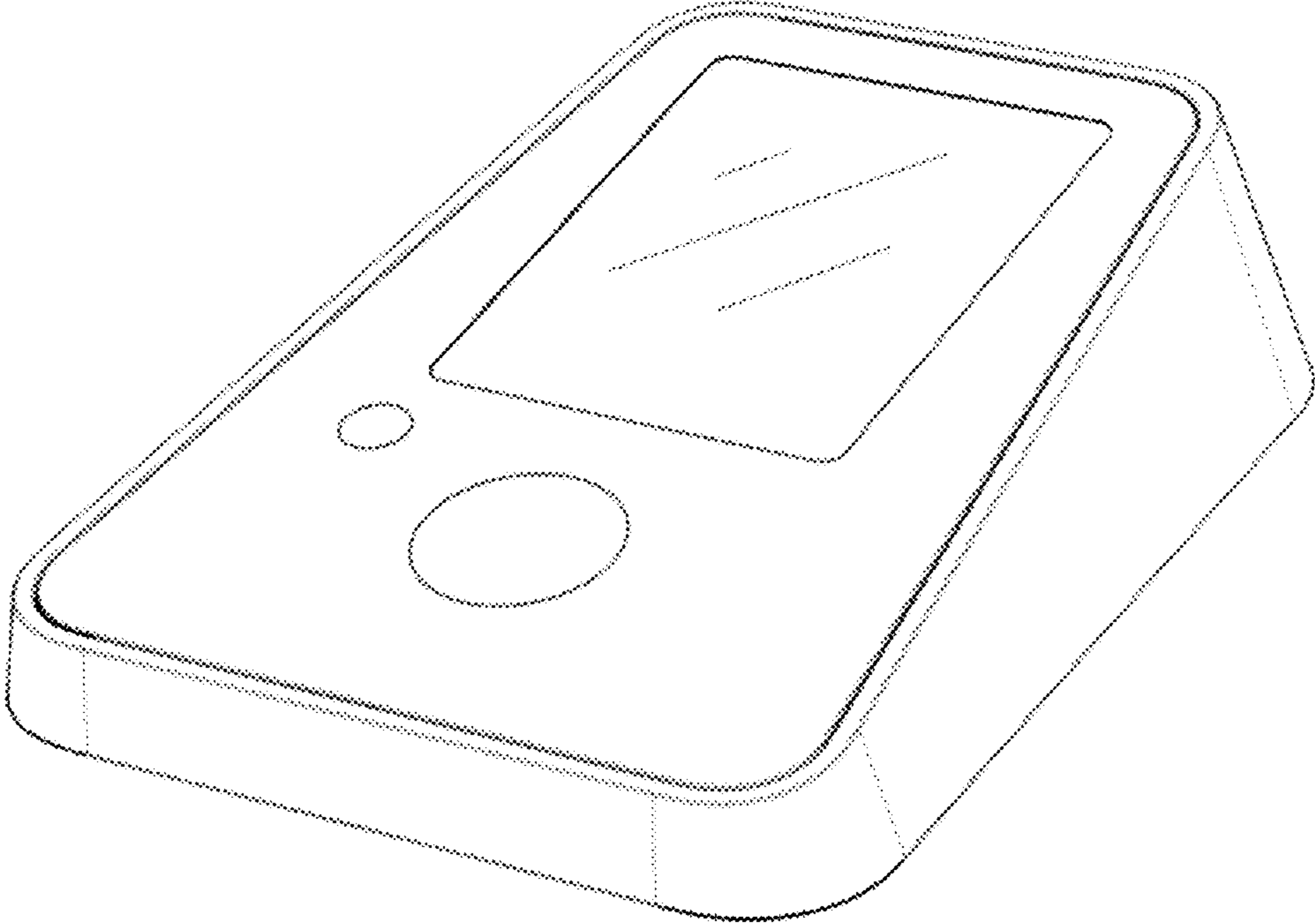


FIG. 1

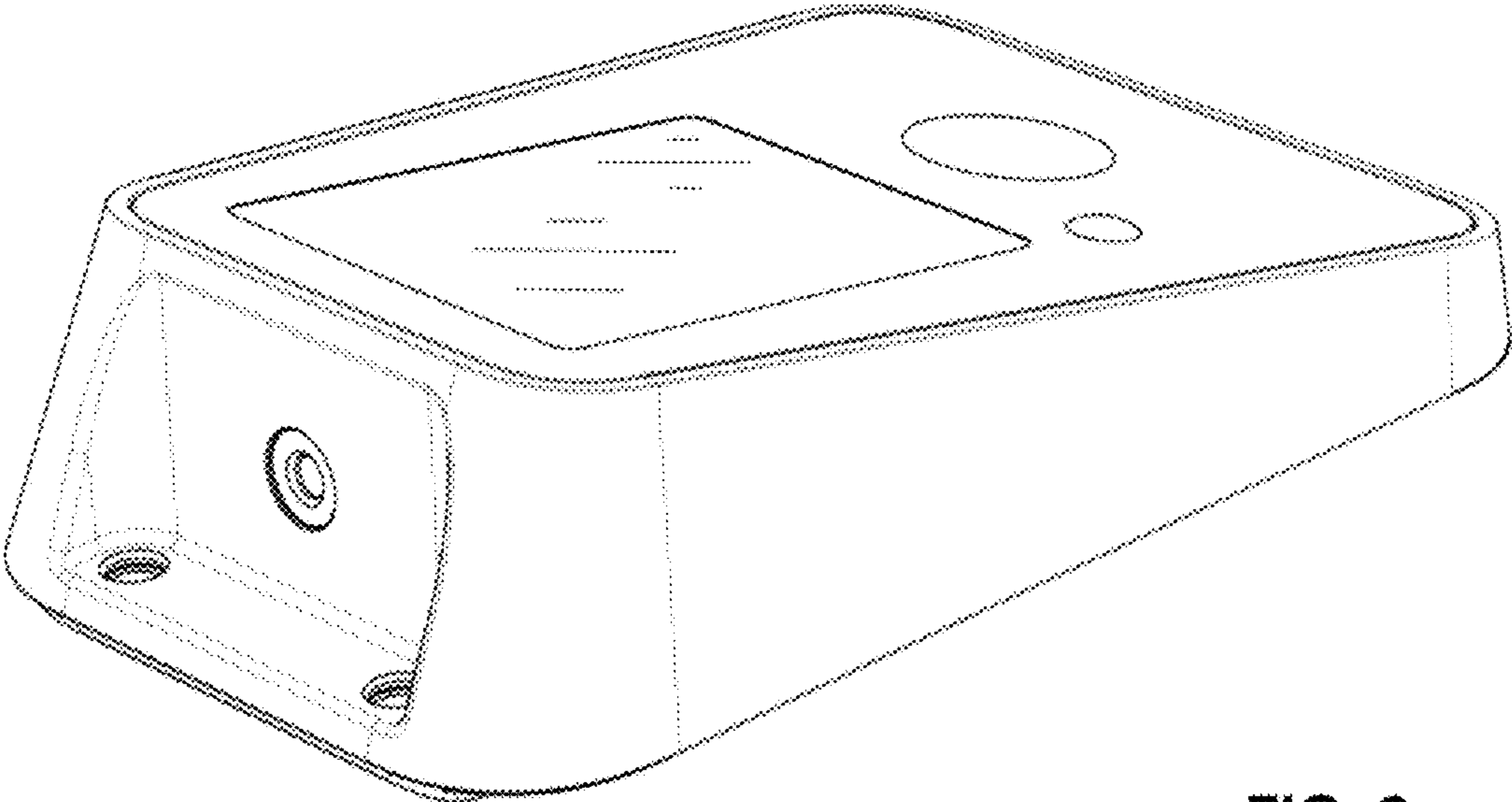


FIG. 2

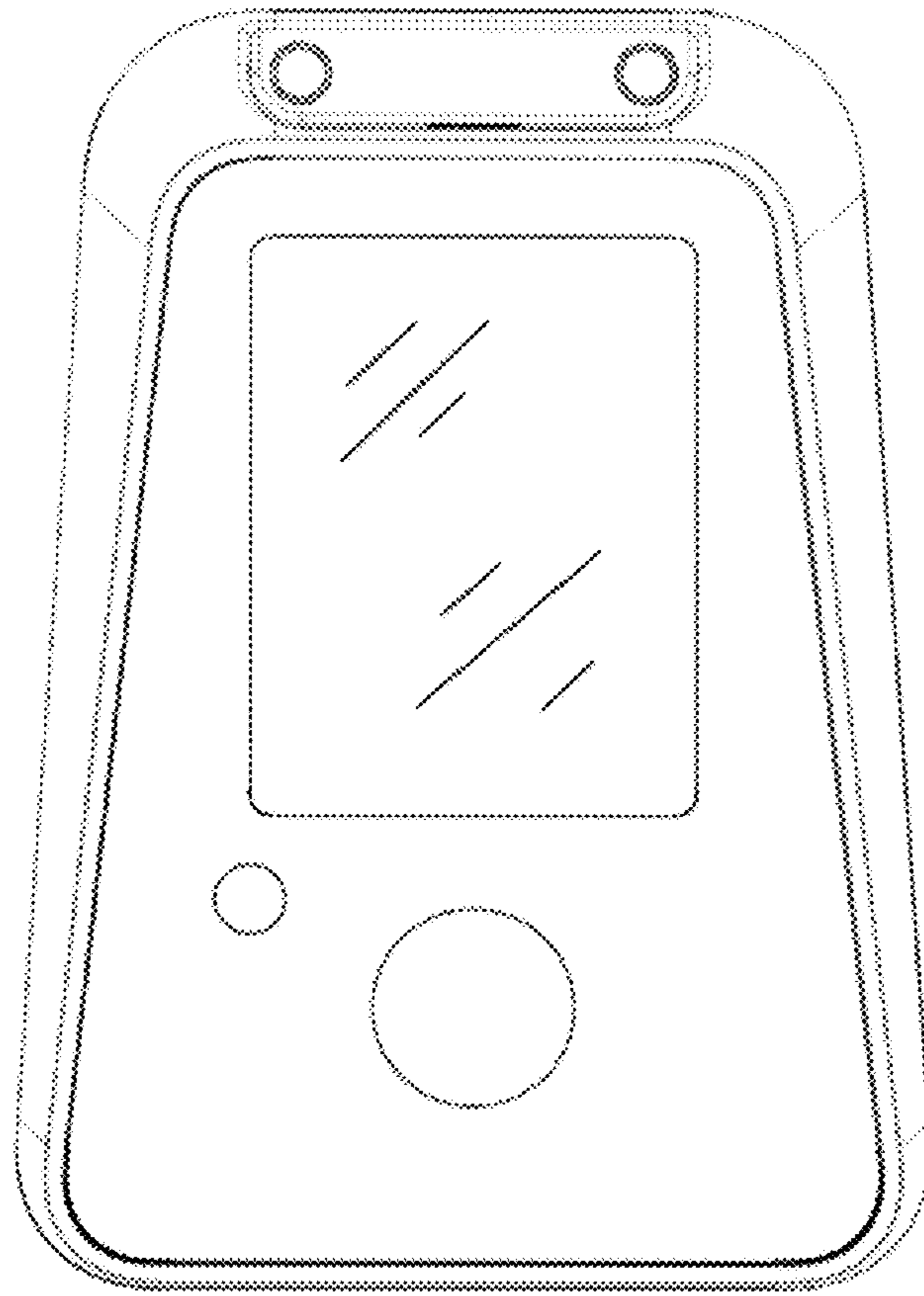


FIG. 3

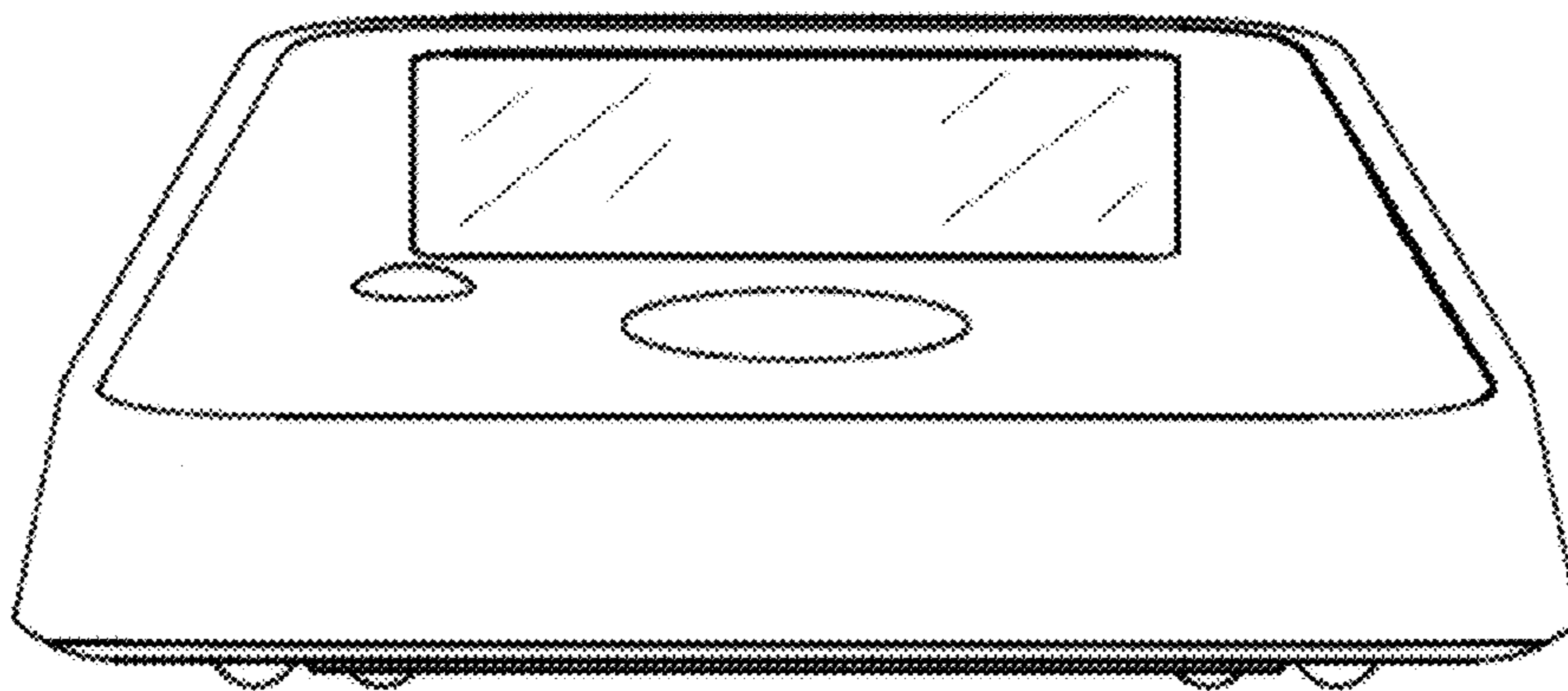


FIG. 4

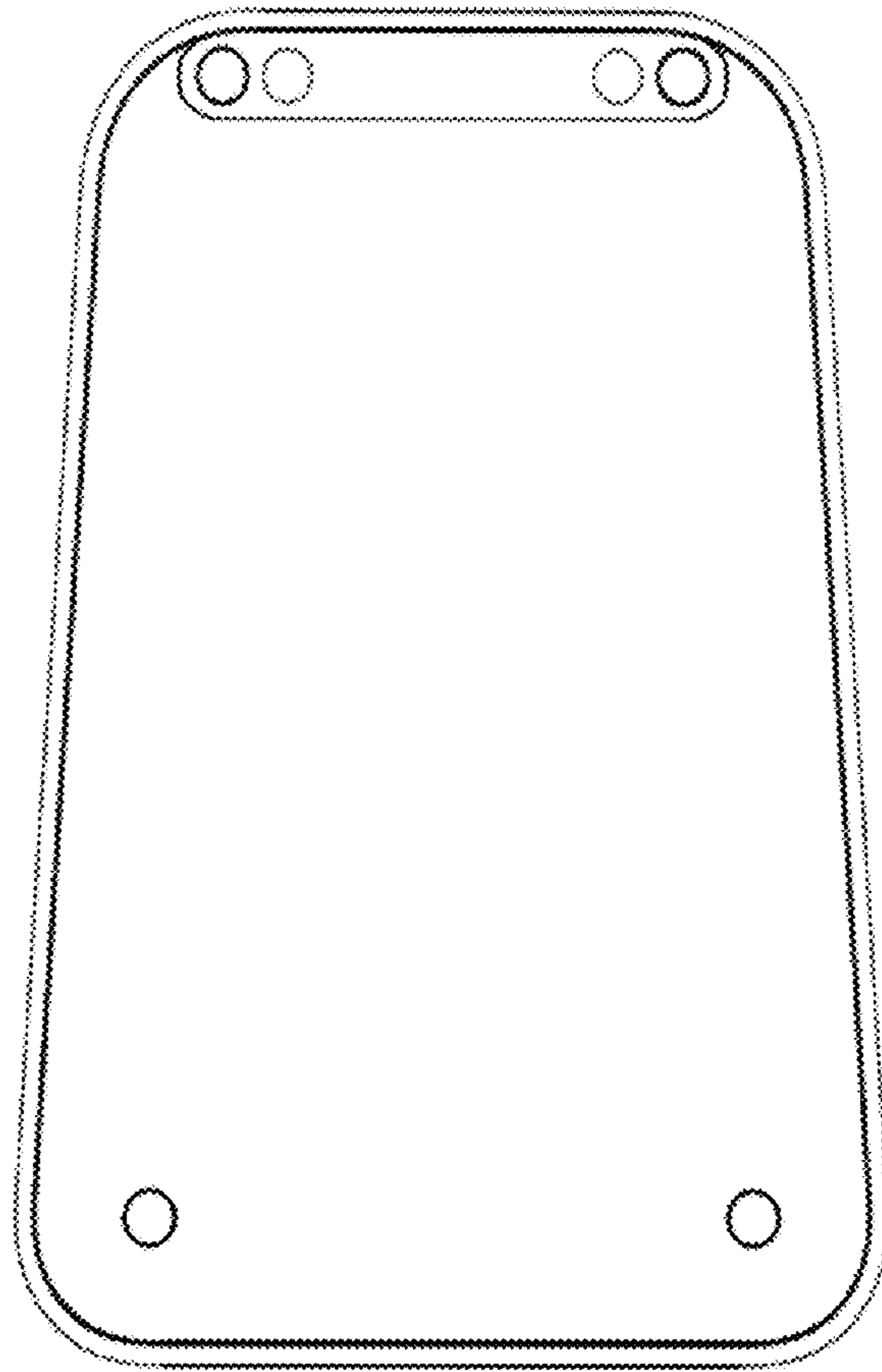


FIG. 5

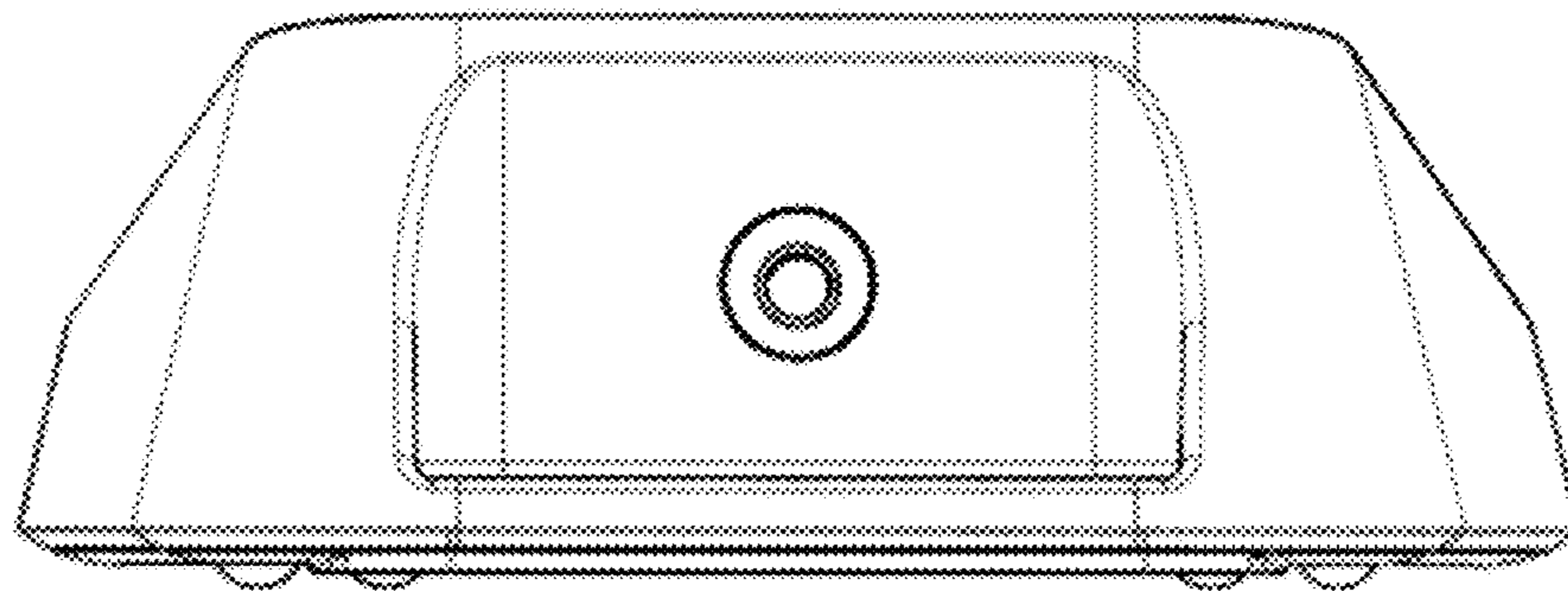


FIG. 6

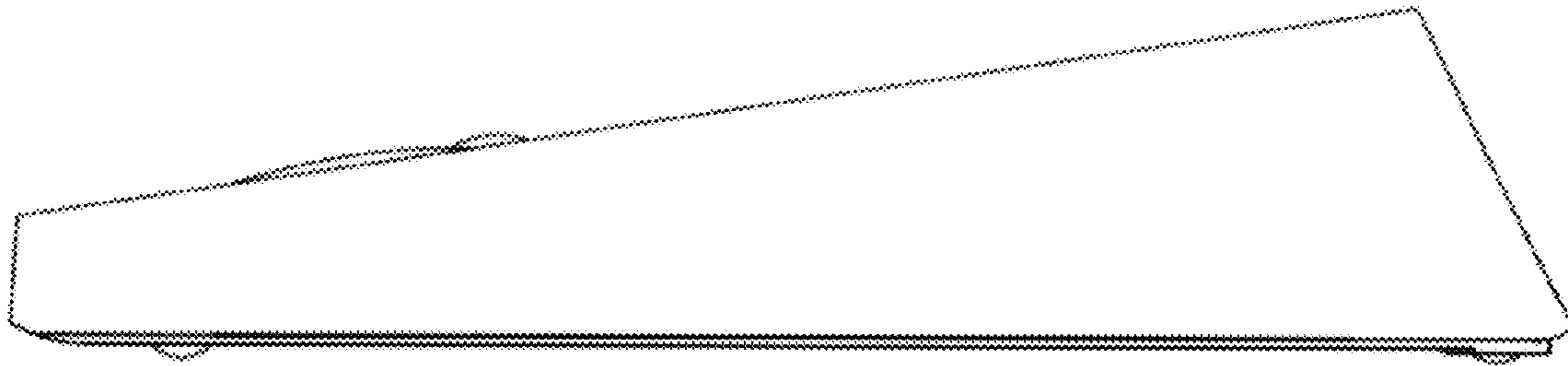


FIG. 7