

US00D709041S

(12) **United States Design Patent**
Yu

(10) **Patent No.:** **US D709,041 S**

(45) **Date of Patent:** **** Jul. 15, 2014**

(54) **LIGHT EMITTING DIODE PACKAGE**

(56) **References Cited**

(71) Applicant: **Lextar Electronics Corp.**, Hsinchu (TW)

U.S. PATENT DOCUMENTS

(72) Inventor: **Zong-Han Yu**, Keelung (TW)

D615,052	S	*	5/2010	Imai et al.	D13/180
7,825,578	B2	*	11/2010	Takashima et al.	313/502
D637,564	S	*	5/2011	Tseng et al.	D13/180
D669,041	S	*	10/2012	Imai et al.	D13/180
D676,000	S	*	2/2013	Hussell et al.	D13/180
D683,708	S	*	6/2013	Sasano et al.	D13/180
D689,451	S	*	9/2013	Shimonishi et al.	D13/180
D698,322	S	*	1/2014	Takeda et al.	D13/180
2012/0299022	A1	*	11/2012	Hussell	257/88

(73) Assignee: **Lextar Electronics Corporation**, Hsinchu (TW)

(**) Term: **14 Years**

* cited by examiner

(21) Appl. No.: **29/456,119**

Primary Examiner — Selina Sikder

(22) Filed: **May 29, 2013**

(74) *Attorney, Agent, or Firm* — Schmeiser, Olsen & Watts, LLP

(51) **LOC (10) Cl.** **13-03**

(57) **CLAIM**

(52) **U.S. Cl.**
USPC **D13/180**

The ornamental design for a light emitting diode package, as shown and described.

(58) **Field of Classification Search**

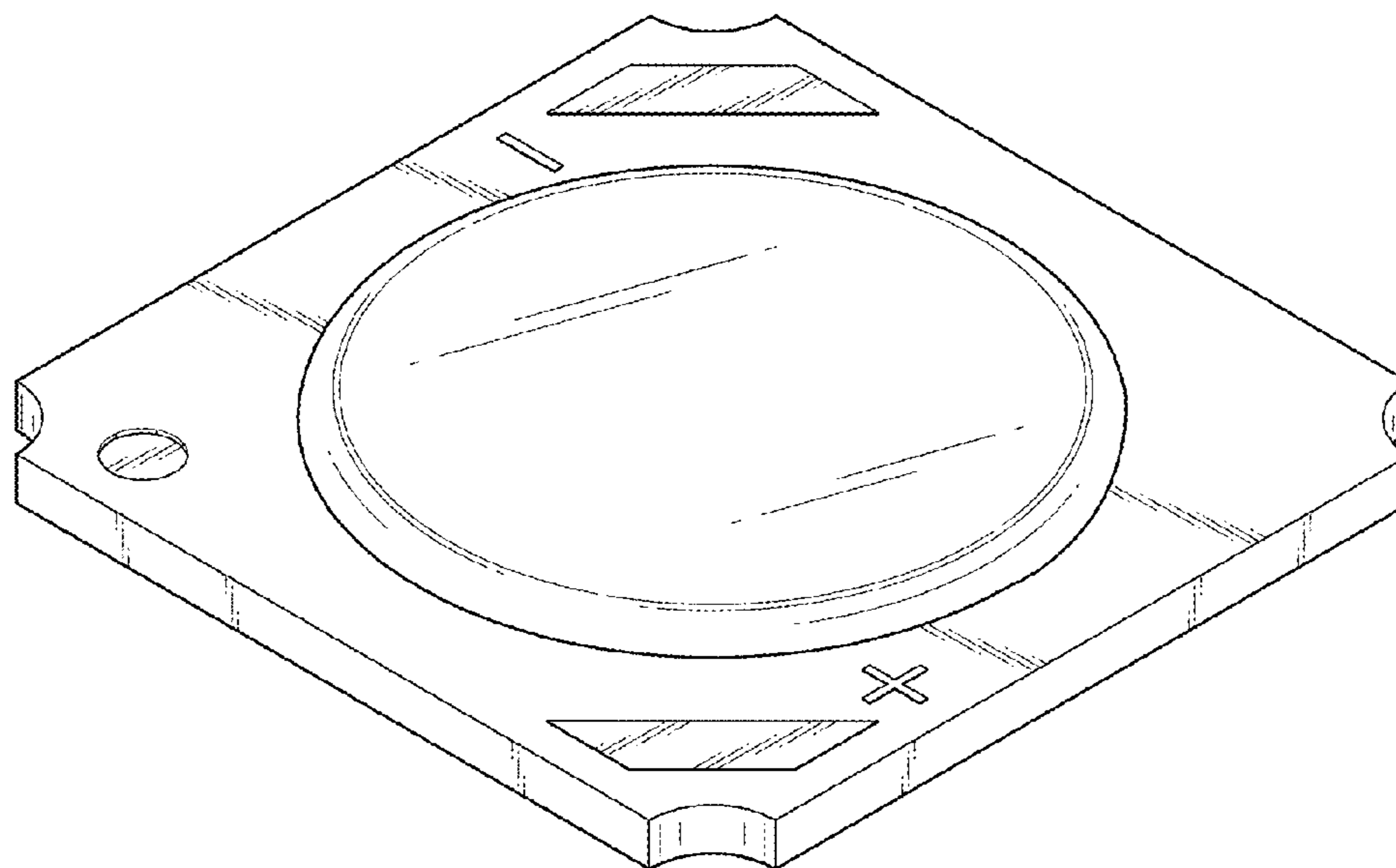
DESCRIPTION

CPC ... H01L 25/167; H01L 25/0753; H01L 27/15; H01L 27/156; H01L 31/02; H01L 33/00; H01L 33/04; H01L 33/08; H01L 33/10; H01L 33/20; H01L 33/38; H01L 33/42; H01L 33/4862; H01L 33/483; H01L 33/486
 USPC D13/180; D26/1; 257/79, 80, 81, 88, 257/89, 95, 98, 99, 100, E33.058; 313/483, 313/498, 500; 362/555, 800

FIG. 1 is a front perspective view of a light emitting diode package showing the new design;
 FIG. 2 is another perspective view thereof;
 FIG. 3 is a front elevational view thereof;
 FIG. 4 is a rear elevational view thereof;
 FIG. 5 is a left side elevational view thereof;
 FIG. 6 is a right side elevational view thereof;
 FIG. 7 is a top plan view thereof; and,
 FIG. 8 is a bottom plan view thereof.

See application file for complete search history.

1 Claim, 8 Drawing Sheets



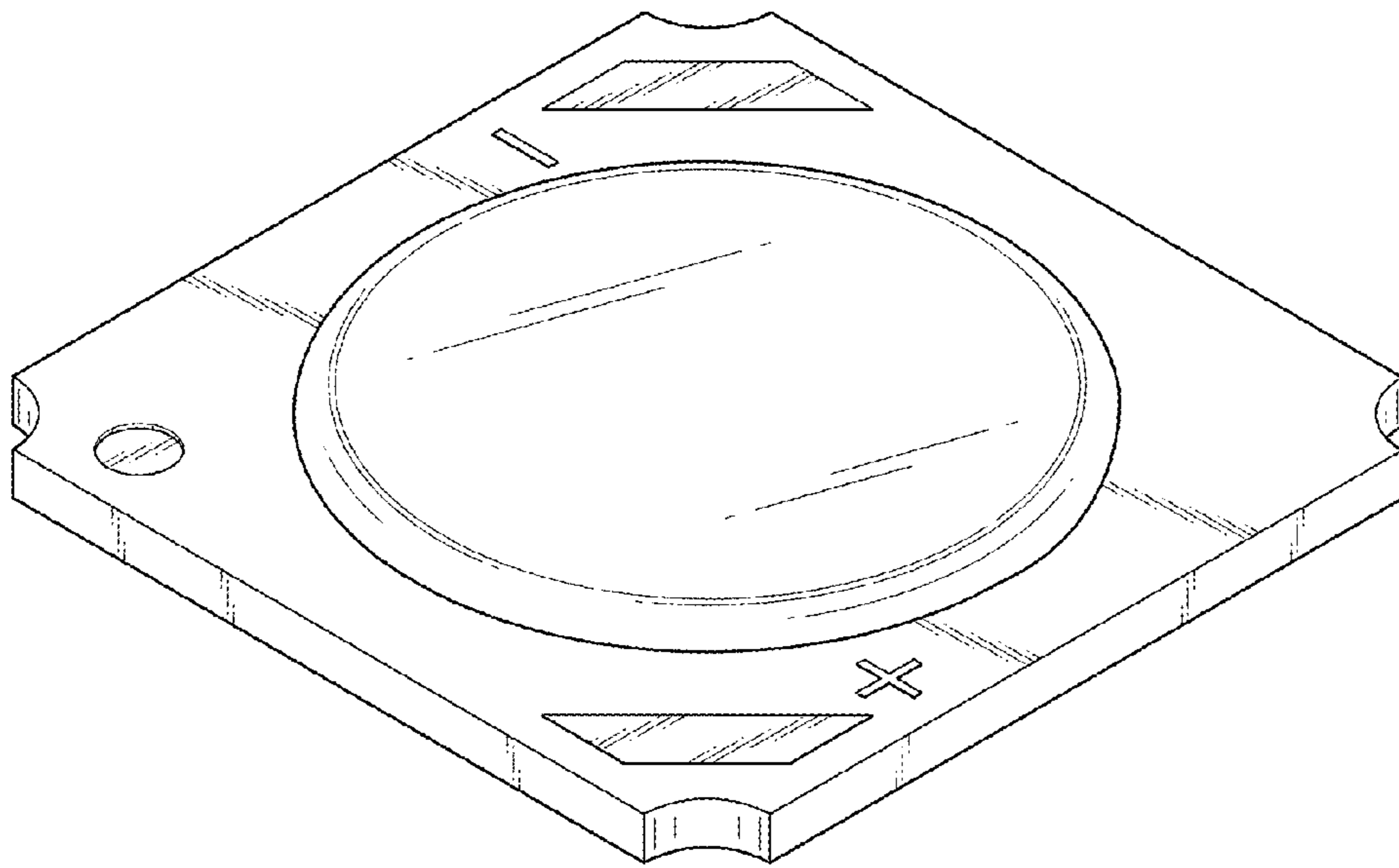


FIG.1

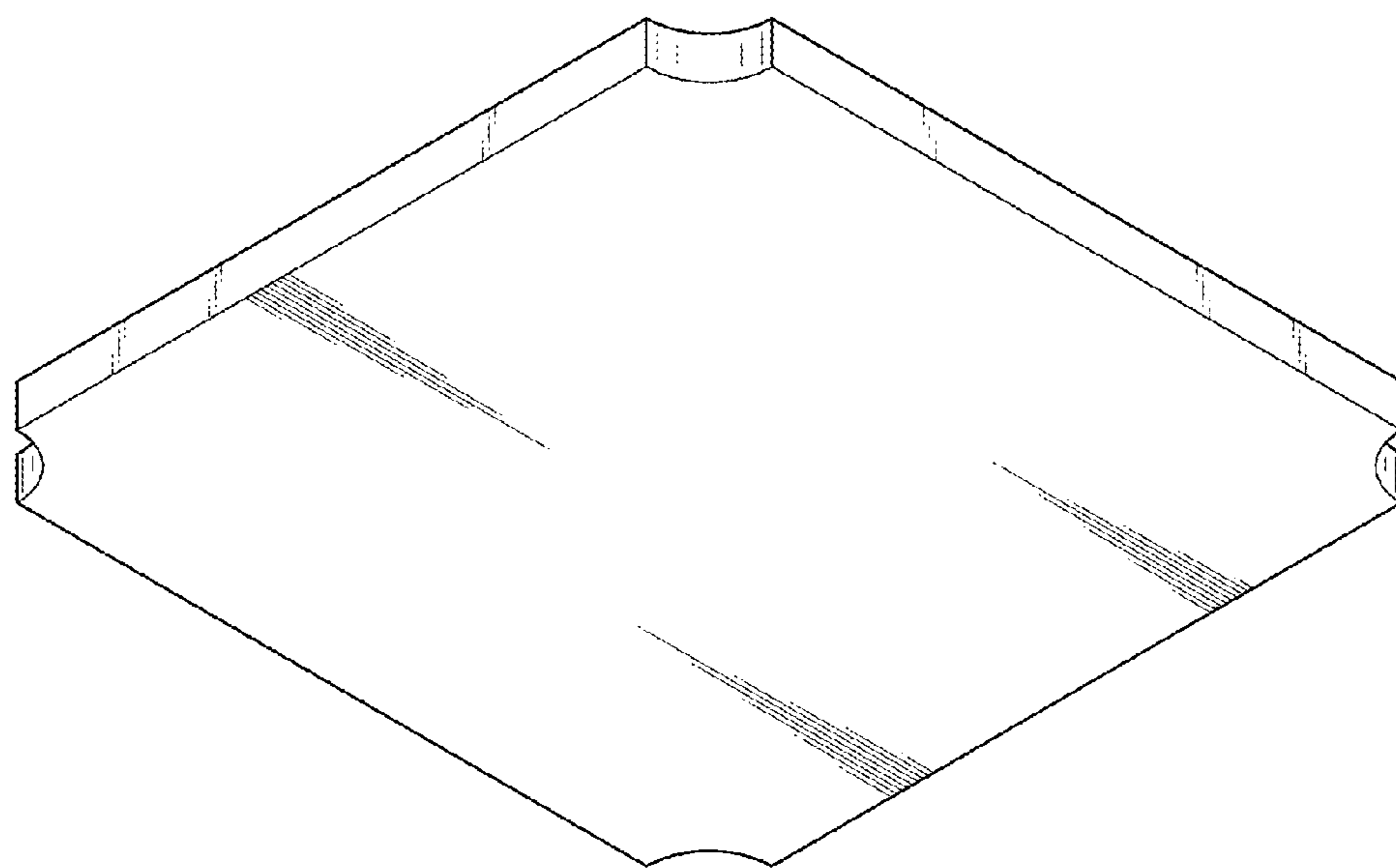


FIG.2



FIG.3



FIG.4



FIG.5

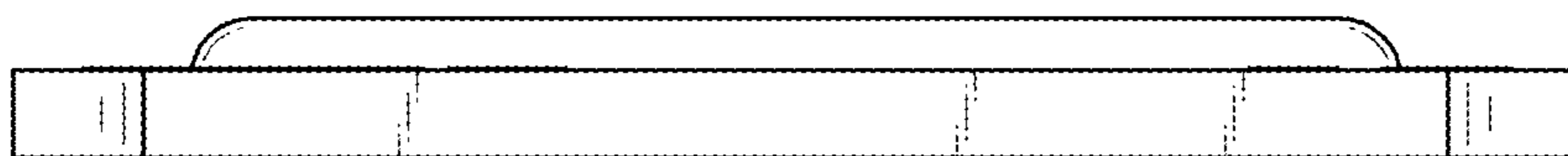


FIG.6

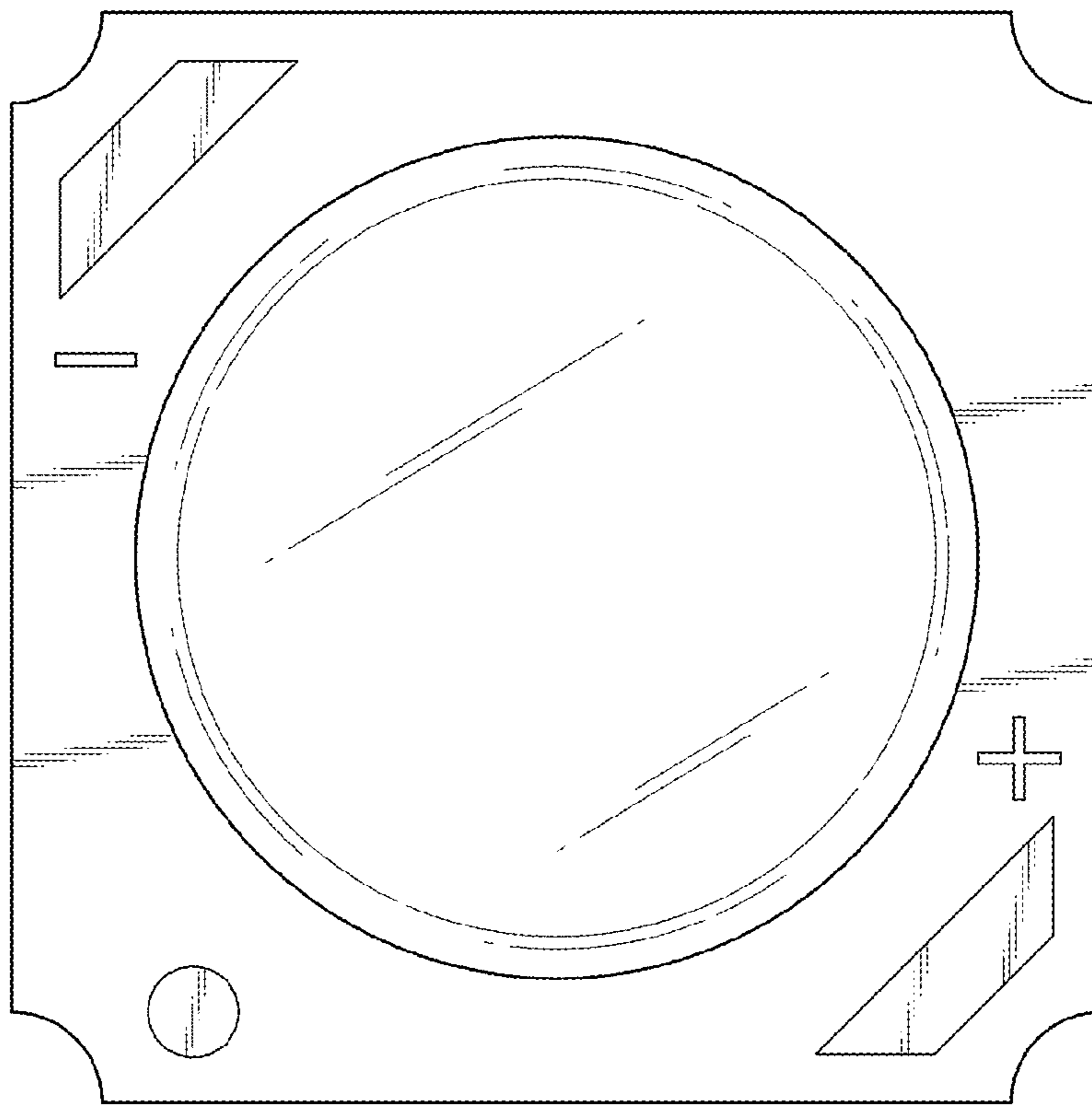


FIG.7

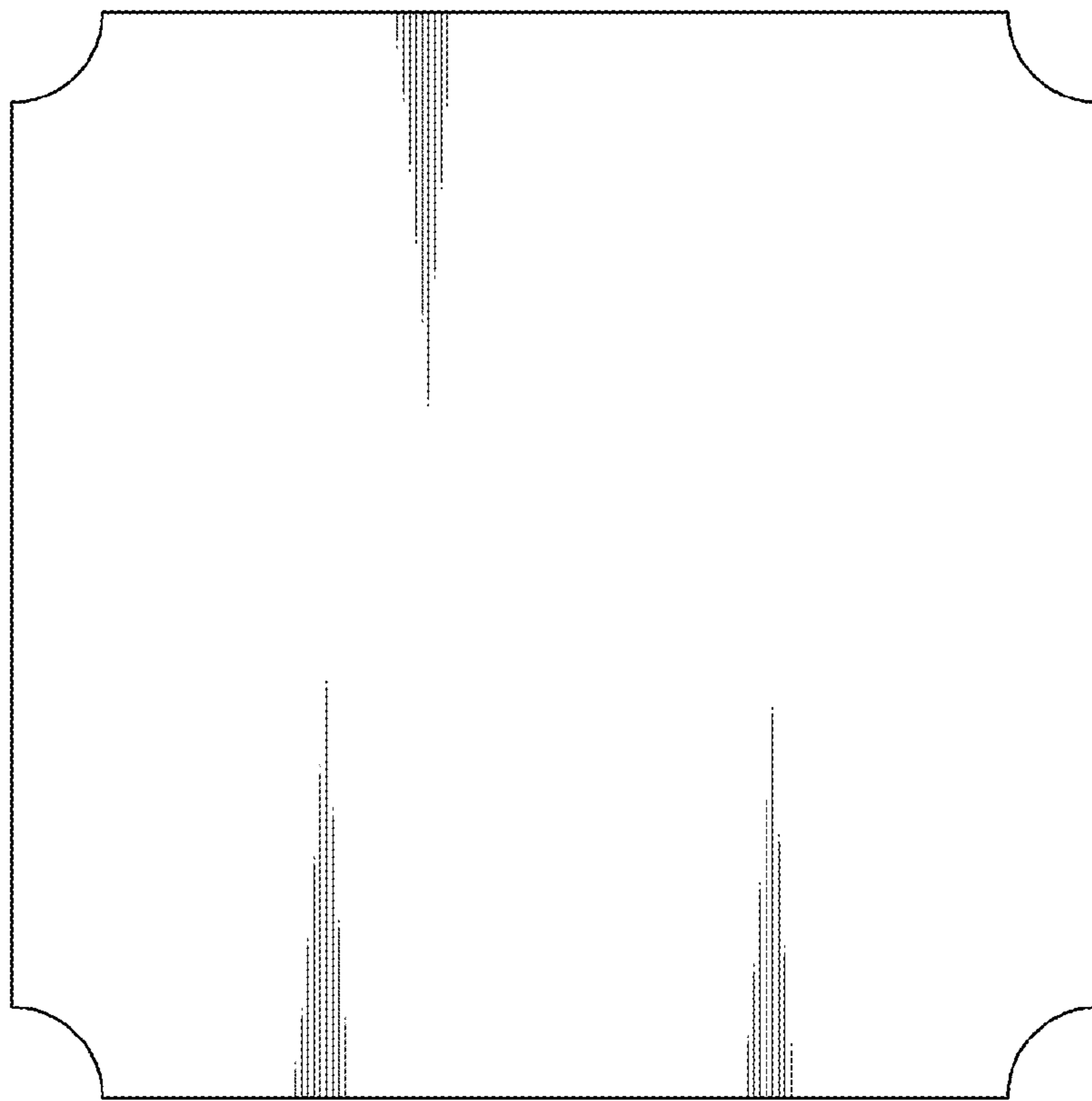


FIG. 8