



US00D709037S

(12) **United States Design Patent**
Katayanagi

(10) **Patent No.:** **US D709,037 S**
(45) **Date of Patent:** **** Jul. 15, 2014**

(54) **ELECTRICAL CONNECTOR**

(71) Applicant: **Japan Aviation Electronics Industry, Limited**, Tokyo (JP)

(72) Inventor: **Masayuki Katayanagi**, Tokyo (JP)

(73) Assignee: **Japan Aviation Electronics Industry, Limited**, Tokyo (JP)

(**) Term: **14 Years**

(21) Appl. No.: **29/481,928**

(22) Filed: **Feb. 12, 2014**

(30) **Foreign Application Priority Data**

Sep. 4, 2013 (JP) 2013-020413

(51) **LOC (10) Cl.** **13-03**

(52) **U.S. Cl.**
USPC **D13/147**

(58) **Field of Classification Search**
USPC D13/146-147, 154, 184, 199; 439/66, 439/74, 79, 188, 344, 345, 346, 350, 351, 439/352, 353, 357, 358, 374, 497, 607.1, 439/607.2, 607.3, 607.4, 607.45, 607.49, 439/607.58, 660, 668, 680, 865, 866, 887, 439/874, 883, 892, 899

See application file for complete search history.

(56) **References Cited**

U.S. PATENT DOCUMENTS

D351,135 S * 10/1994 Kurata D13/147
D401,905 S * 12/1998 Sato D13/147

D416,230 S * 11/1999 Narumo et al. D13/147
D416,540 S * 11/1999 Sato et al. D13/147
D422,560 S * 4/2000 Lok D13/147
D587,209 S * 2/2009 Tsai et al. D13/147
D638,361 S * 5/2011 Sasaki et al. D13/147
D672,315 S 12/2012 Naito

* cited by examiner

Primary Examiner — Daniel Bui

(74) *Attorney, Agent, or Firm* — Cermak Nakajima LLP; Tomoko Nakajima

(57) **CLAIM**

The ornamental design for an electrical connector, as shown and described.

DESCRIPTION

FIG. 1 is a front elevational view of an electrical connector showing my new design;

FIG. 2 is a top plan view thereof;

FIG. 3 is a left side elevational view thereof;

FIG. 4 is a rear elevational view thereof; and

FIG. 5 is a bottom plan view thereof.

FIG. 6 is a partially enlarged view of a front and top perspective view thereof; and,

FIG. 7 is a partially enlarged view of a front and bottom perspective view thereof.

The broken line in the drawing views is included to show unclaimed environment only and forms no part of the claimed design.

The dot-dash broken lines in the drawing views define but are not included in, the boundaries of the claimed design.

1 Claim, 7 Drawing Sheets

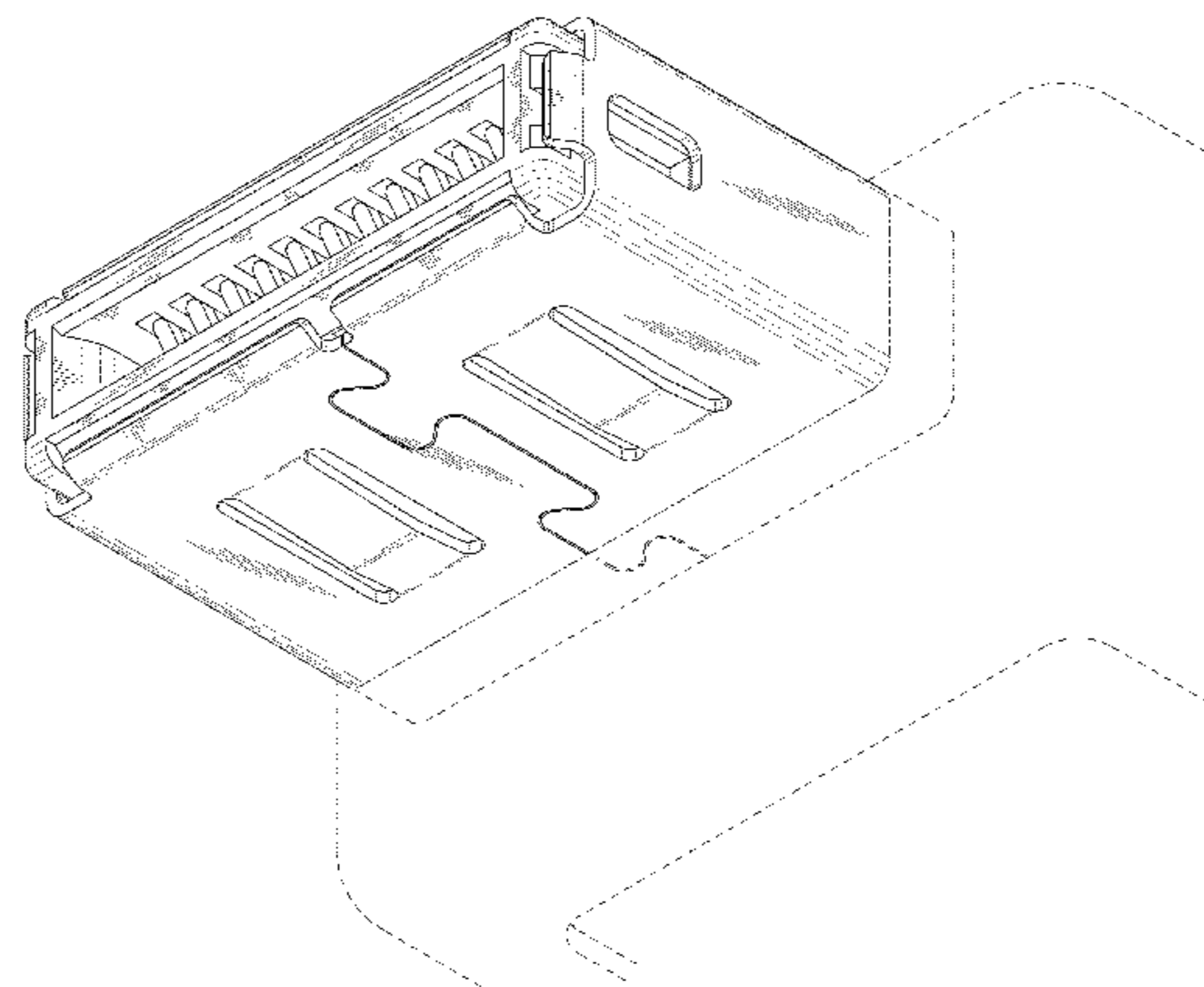
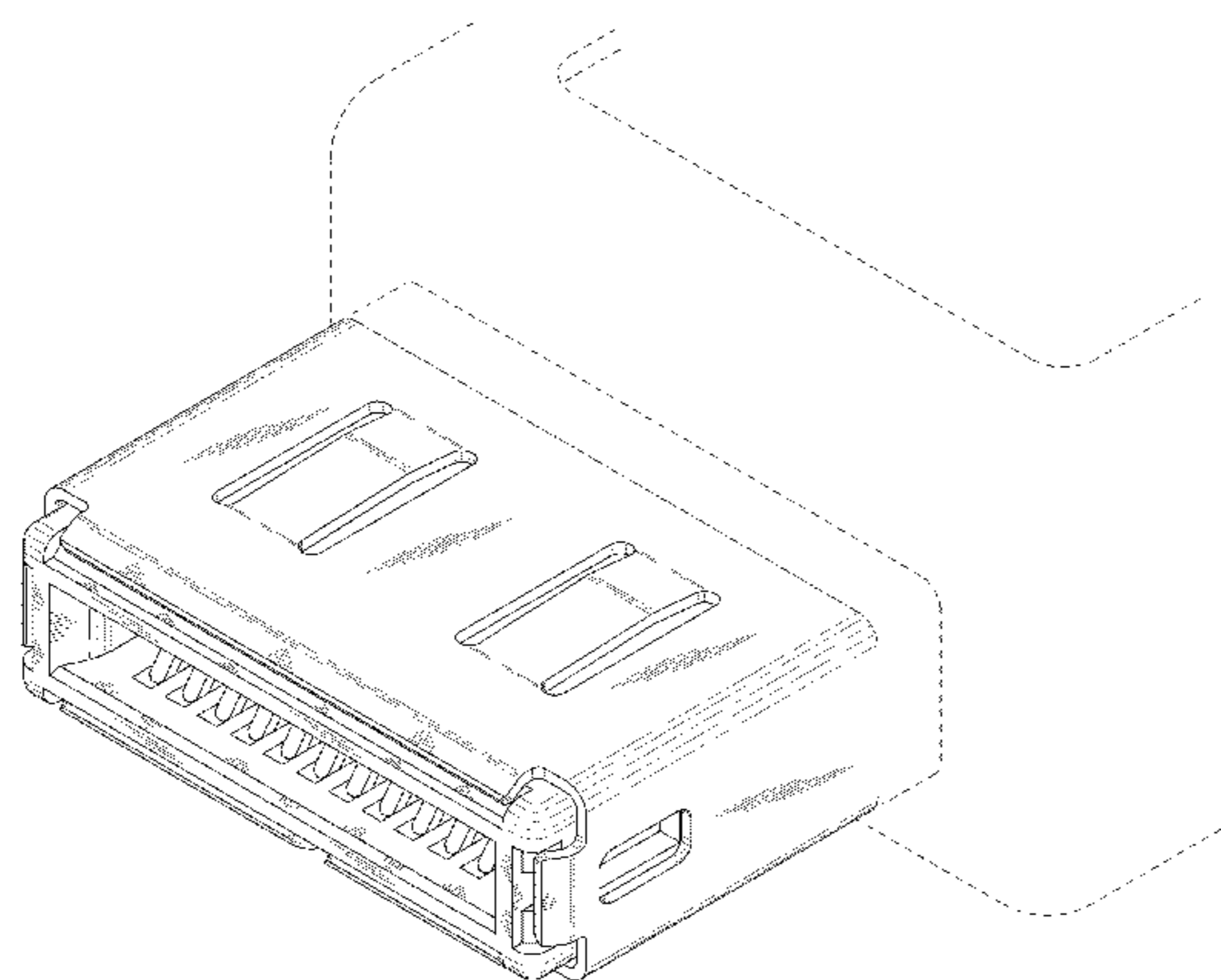




FIG.1

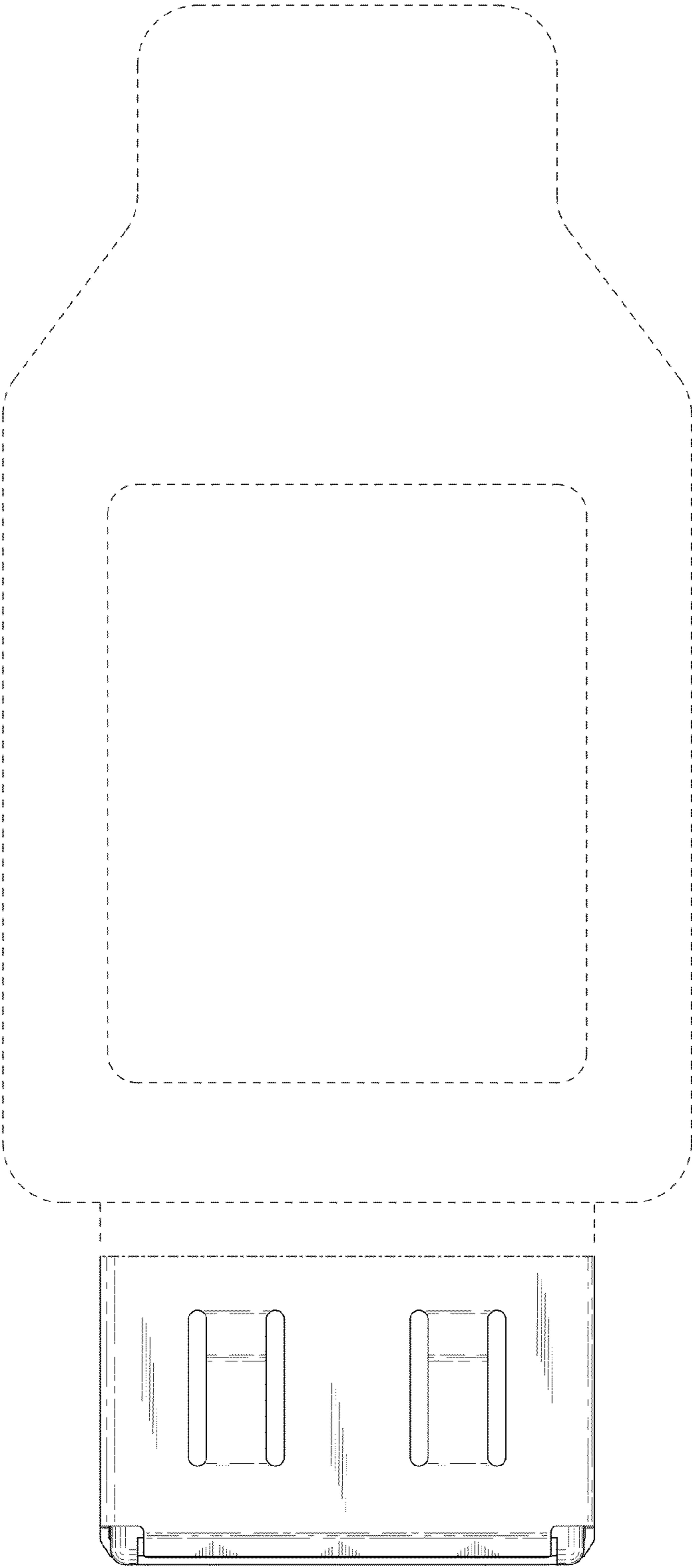


FIG.2

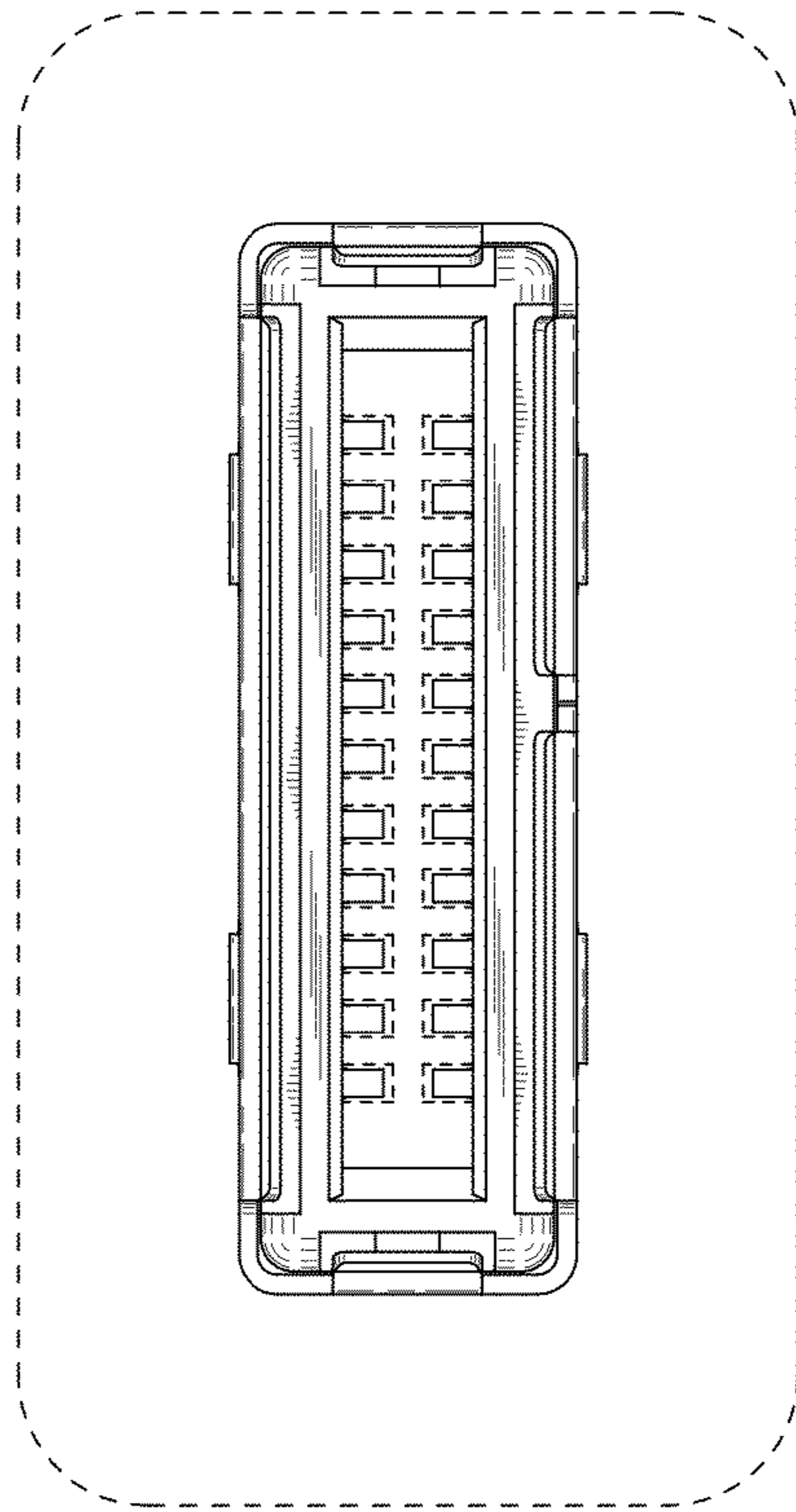


FIG.3

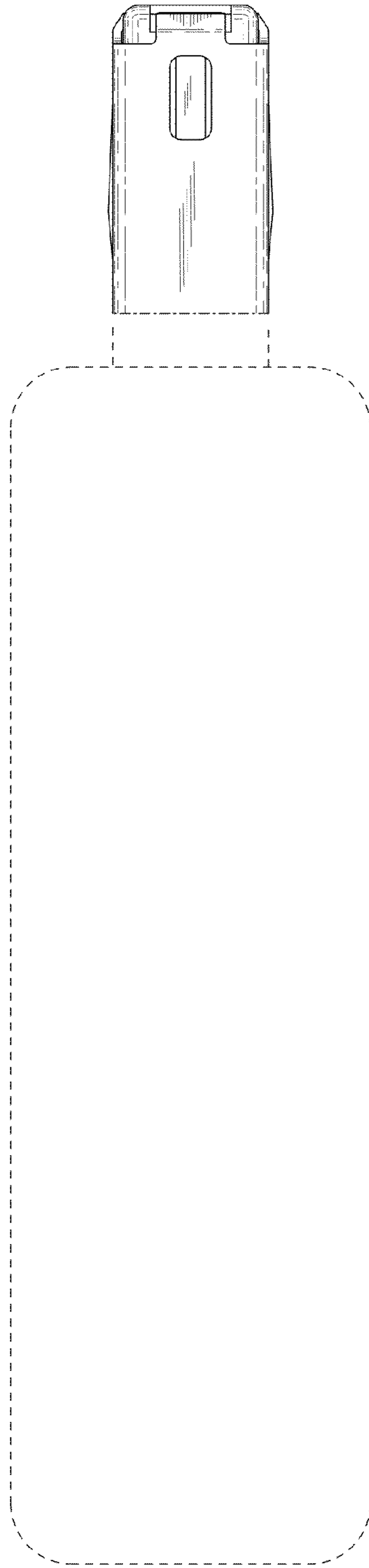


FIG.4

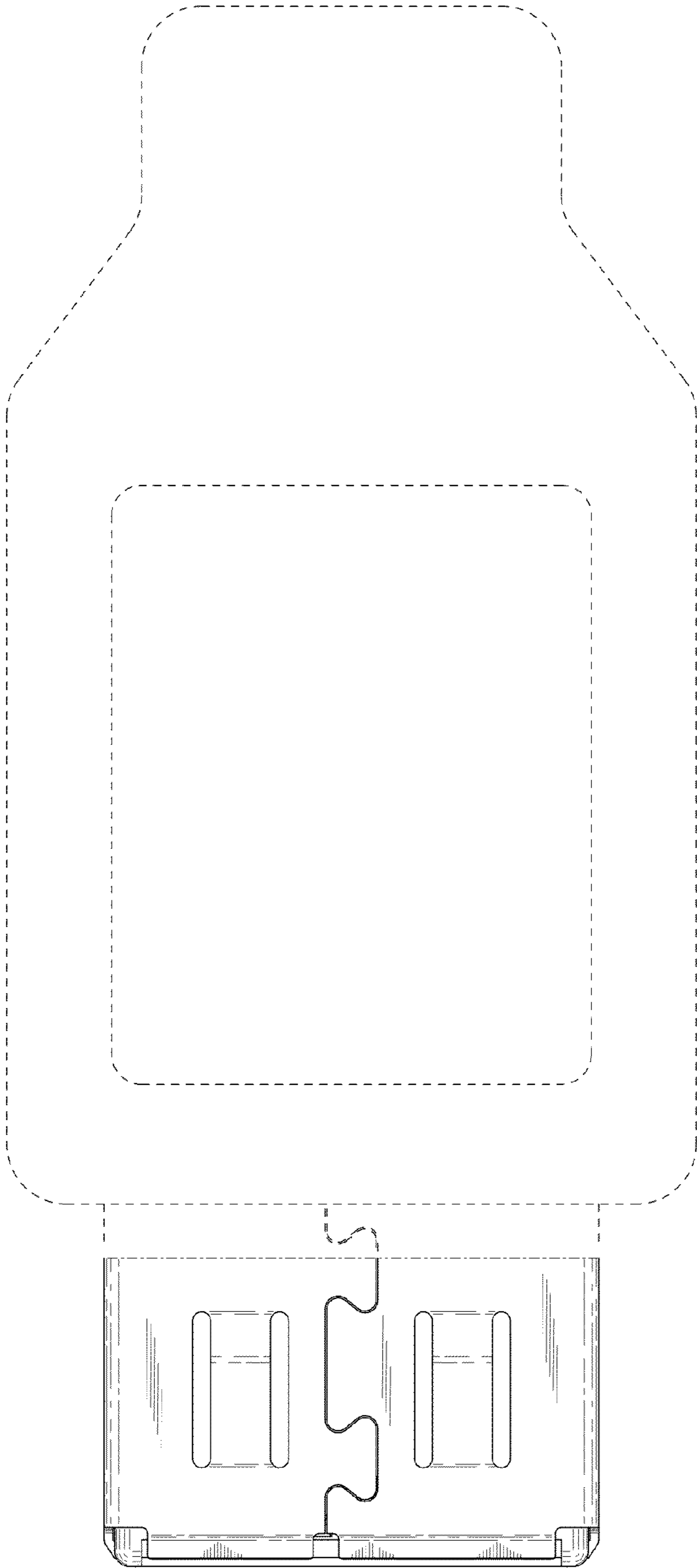


FIG.5

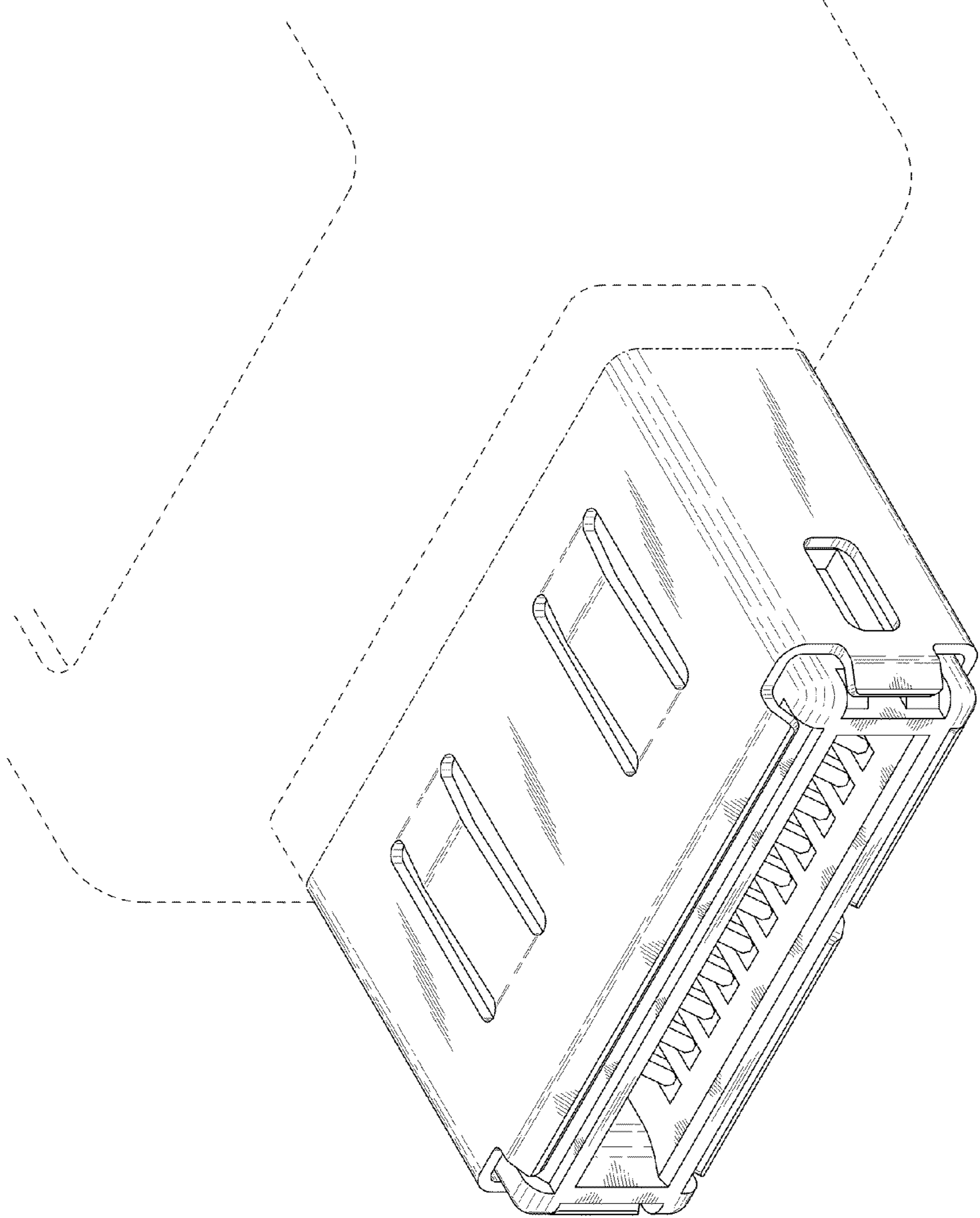


FIG.6

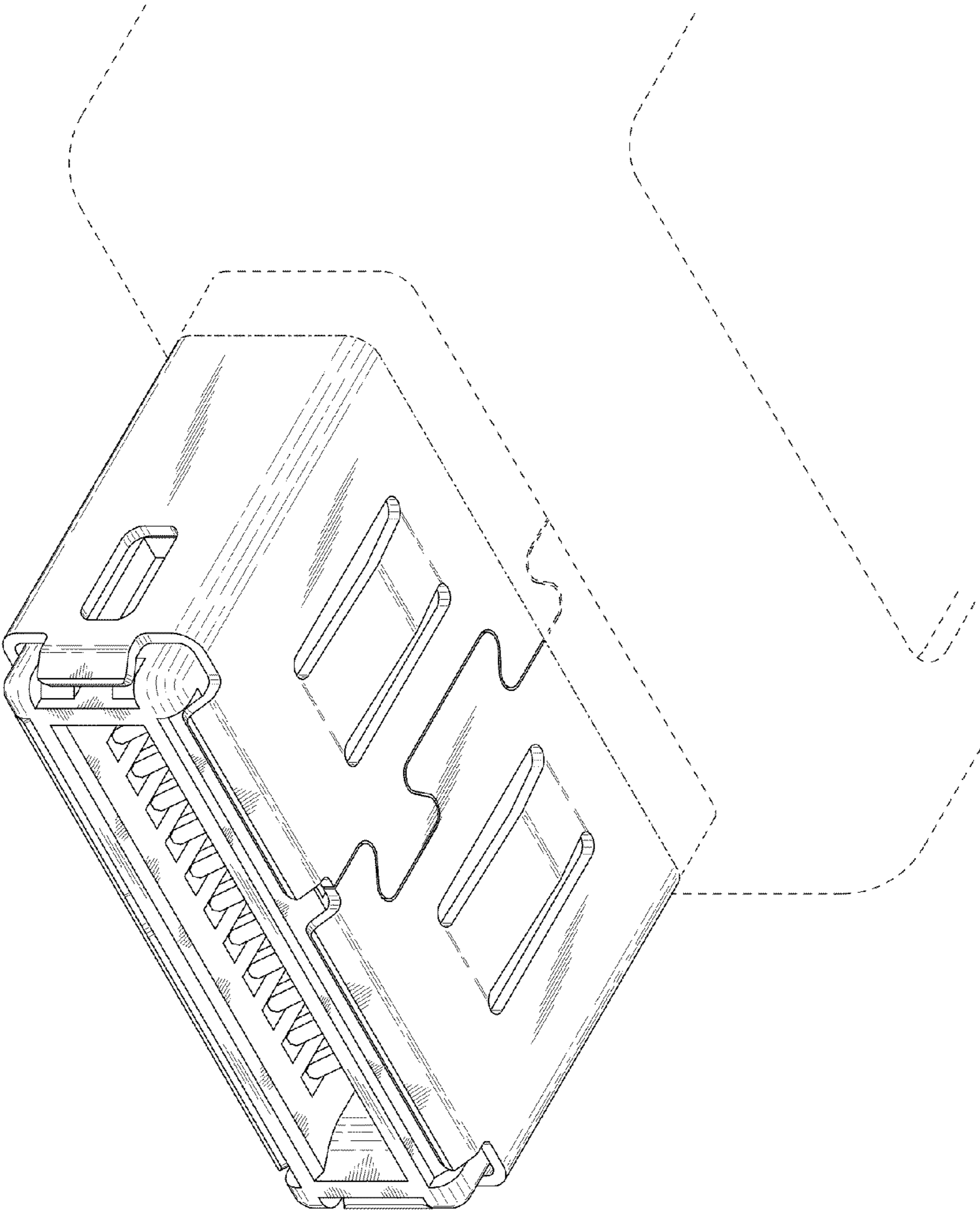


FIG.7