



US00D709036S

(12) **United States Design Patent**  
**McCartin et al.**

(10) **Patent No.:** **US D709,036 S**  
(45) **Date of Patent:** **\*\* Jul. 15, 2014**

(54) **CONNECTOR**

(71) Applicant: **Samtec, Inc.**, New Albany, IN (US)

(72) Inventors: **Douglas Edward McCartin**, Henryville, IN (US); **James Edward Borgelt**, Jeffersonville, IN (US); **Dale Francis Schmelz**, Depauw, IN (US); **Joseph Travis Newton**, Shelbyville, KY (US); **Chadrick Paul Faith**, Cordon, IN (US)

(73) Assignee: **Samtec, Inc.**, New Albany, IN (US)

(\*\*) Term: **14 Years**

(21) Appl. No.: **29/478,996**

(22) Filed: **Jan. 10, 2014**

(51) **LOC (10) Cl.** ..... **13-03**

(52) **U.S. Cl.**  
USPC ..... **D13/147**

(58) **Field of Classification Search**  
USPC ..... D13/147, 154, 184, 199; 439/79, 108, 439/135, 180, 246, 278, 291, 328, 344, 350, 439/353, 357, 358, 374, 378, 381, 391, 489, 439/509, 527, 529, 530, 533, 587, 594, 598, 439/607.01, 607.04, 607.05, 607.17, 439/607.25, 607.34, 607.41, 607.53, 626, 439/629, 637, 656, 660, 668, 676, 680, 711, 439/745, 752, 892, 894

See application file for complete search history.

(56) **References Cited**

**U.S. PATENT DOCUMENTS**

D205,509 S \* 8/1966 Reynolds ..... D13/147  
4,984,998 A \* 1/1991 Duncan et al. .... 439/352

D327,469 S \* 6/1992 Moriai et al. .... D13/147  
D335,649 S \* 5/1993 Ogawa ..... D13/147  
D459,704 S \* 7/2002 Chen ..... D13/147  
D463,370 S \* 9/2002 Chen ..... D13/147  
D502,922 S \* 3/2005 Cheng et al. .... D13/147  
D523,399 S \* 6/2006 Sakamaki et al. .... D13/147  
D605,133 S \* 12/2009 Tanaka et al. .... D13/147  
D639,746 S \* 6/2011 Lee et al. .... D13/147

\* cited by examiner

*Primary Examiner* — Daniel Bui

(74) *Attorney, Agent, or Firm* — Keating & Bennett, LLP

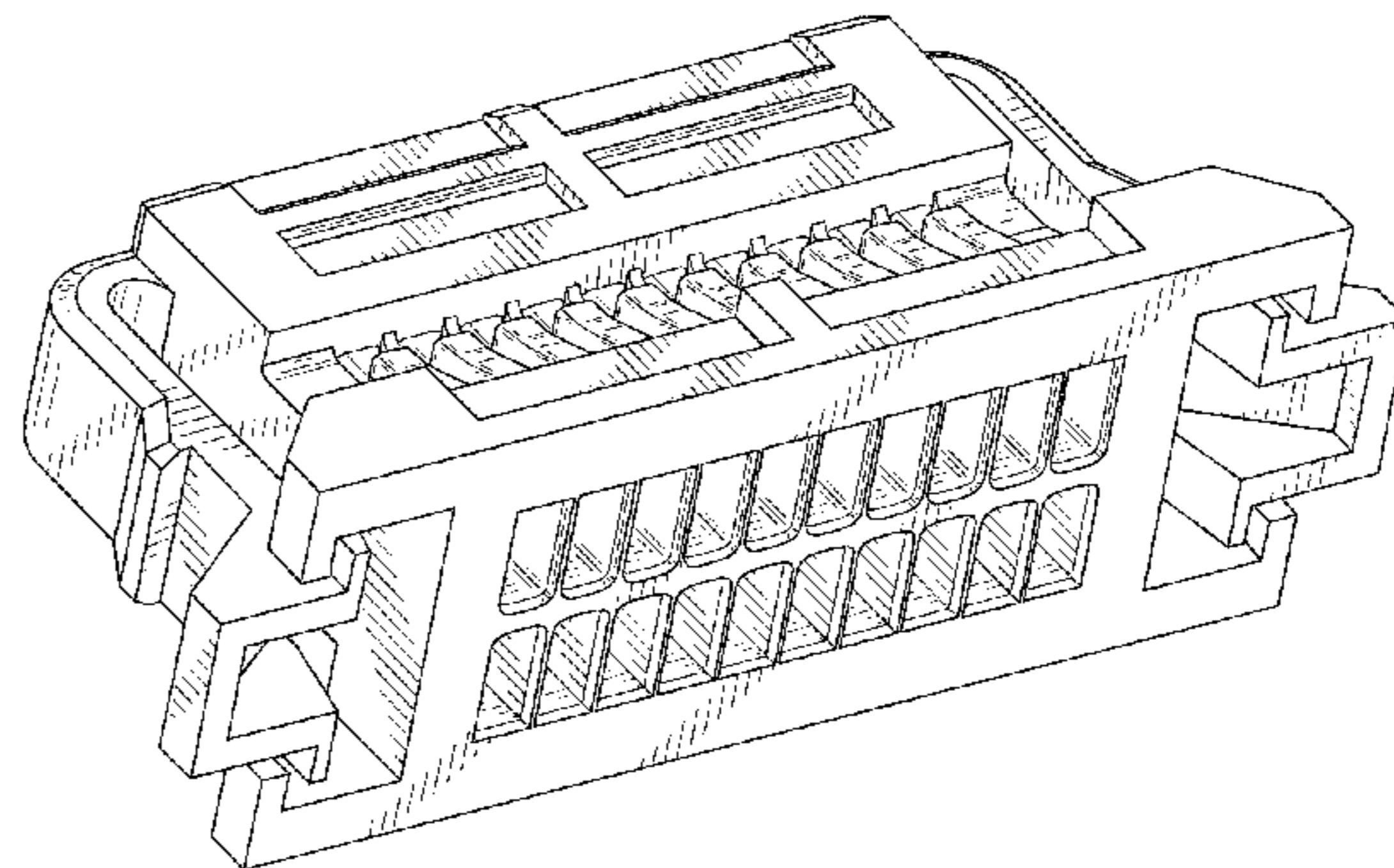
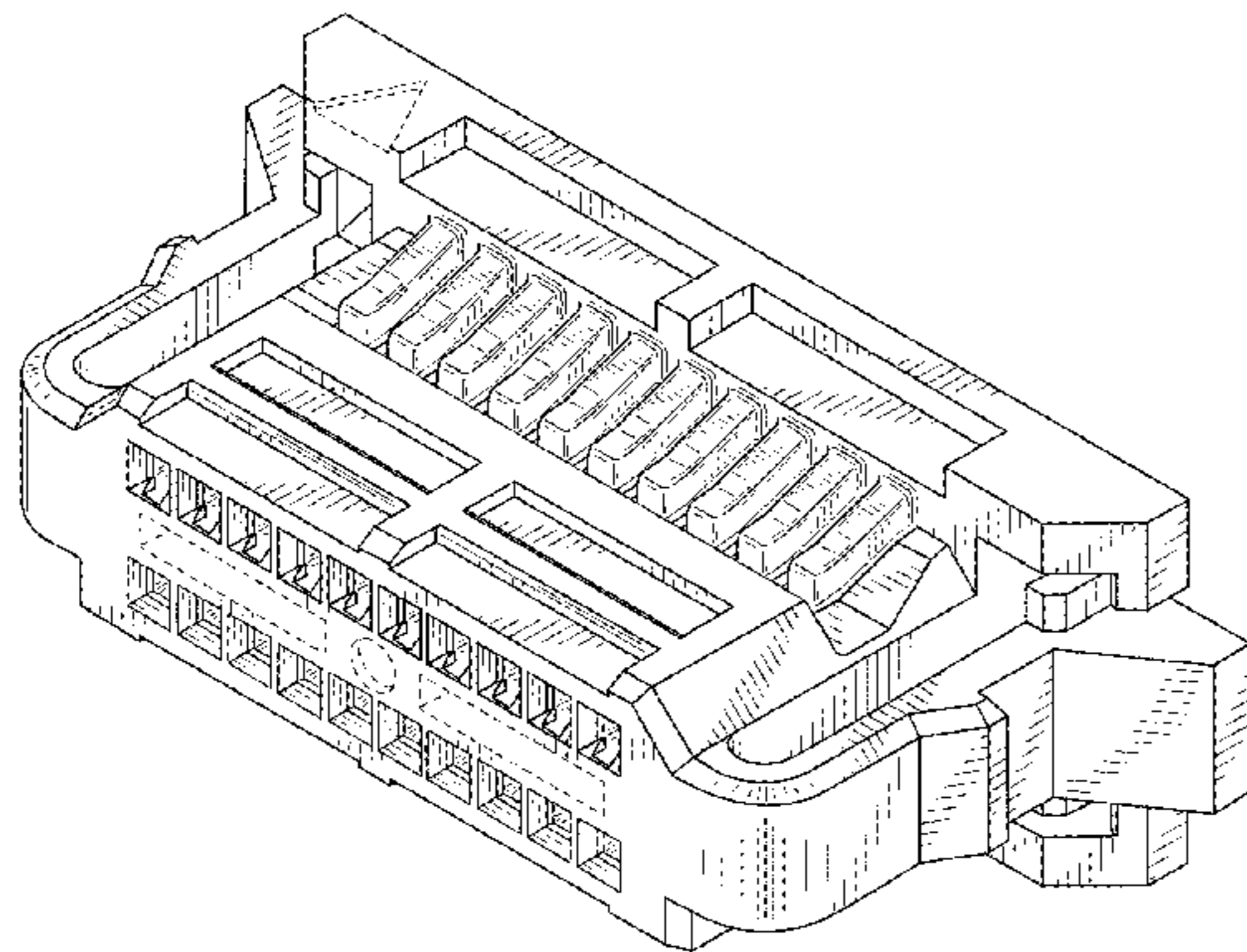
(57) **CLAIM**

The ornamental design for a connector, as shown and described.

**DESCRIPTION**

FIG. 1 is a top, front, and right perspective view of a connector showing our new design;  
FIG. 2 is a bottom, back, and left perspective view thereof;  
FIG. 3 is another top, front, and right perspective view thereof;  
FIG. 4 is another bottom, back, and left perspective view thereof;  
FIG. 5 is a front view thereof;  
FIG. 6 is a back view thereof;  
FIG. 7 is a left view thereof;  
FIG. 8 is a right view thereof;  
FIG. 9 is a top view thereof; and,  
FIG. 10 is a bottom view thereof.  
Broken lines in the drawing views are included to show unclaimed subject matter only and form no part of the claimed design.

**1 Claim, 5 Drawing Sheets**



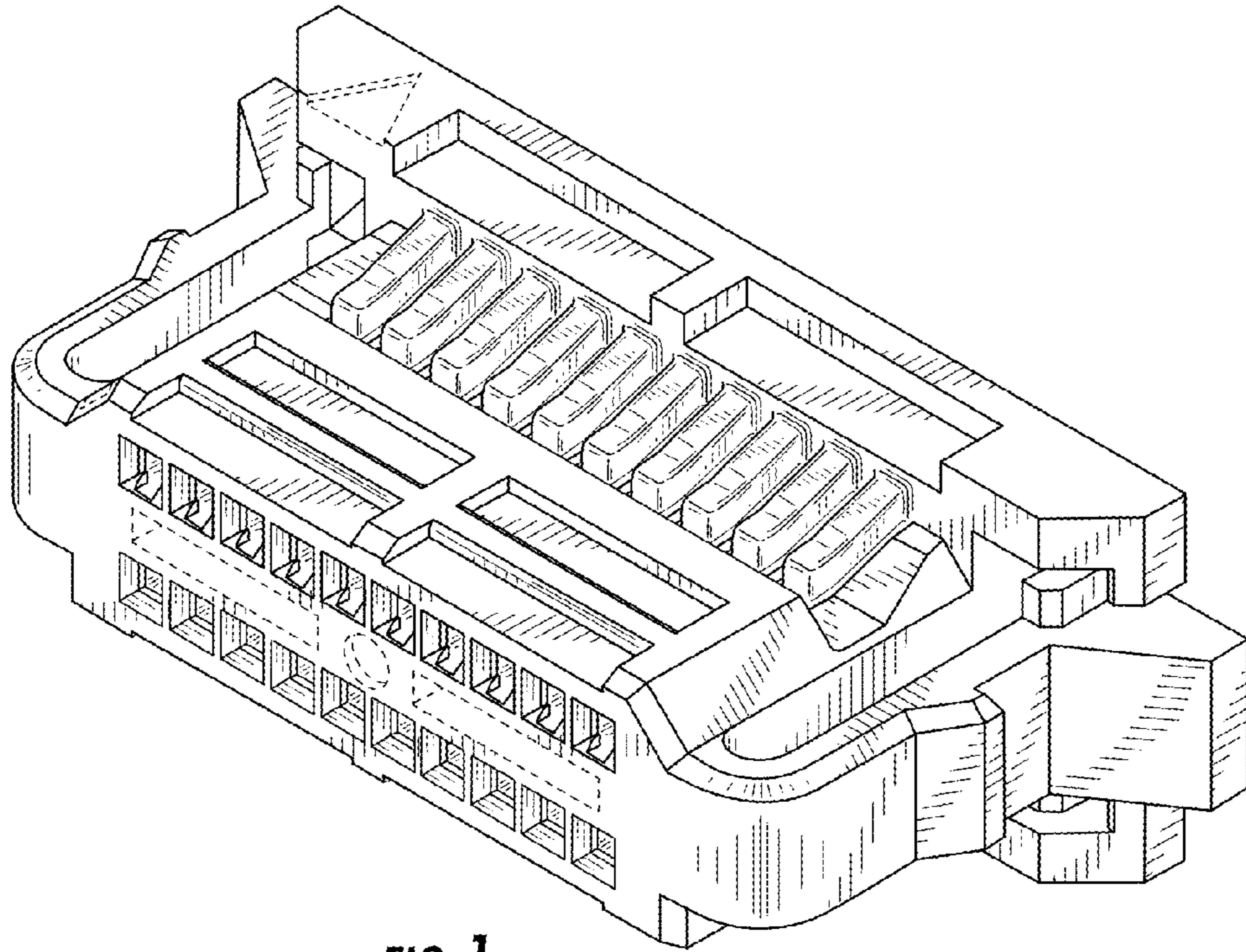


FIG. 1

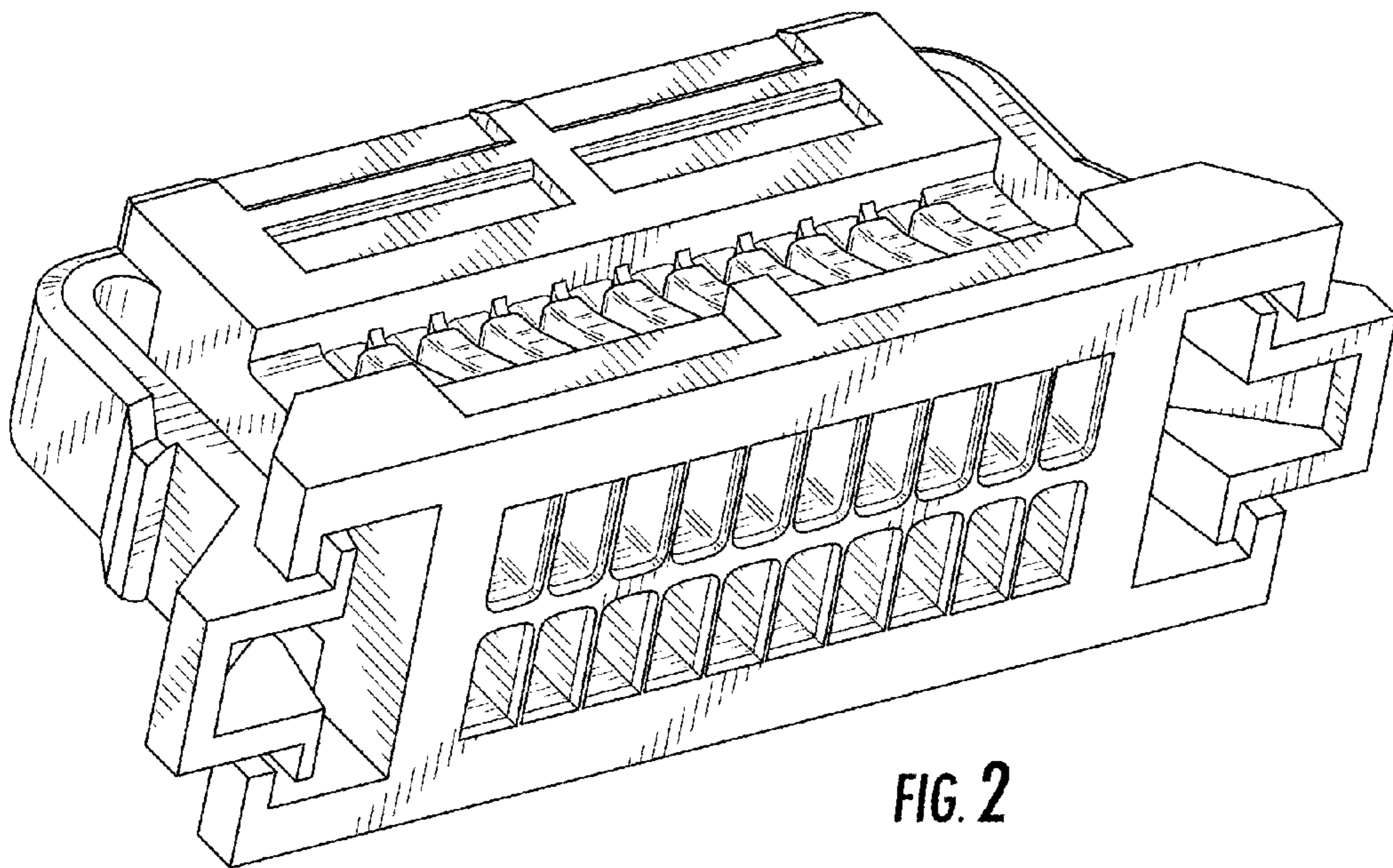


FIG. 2

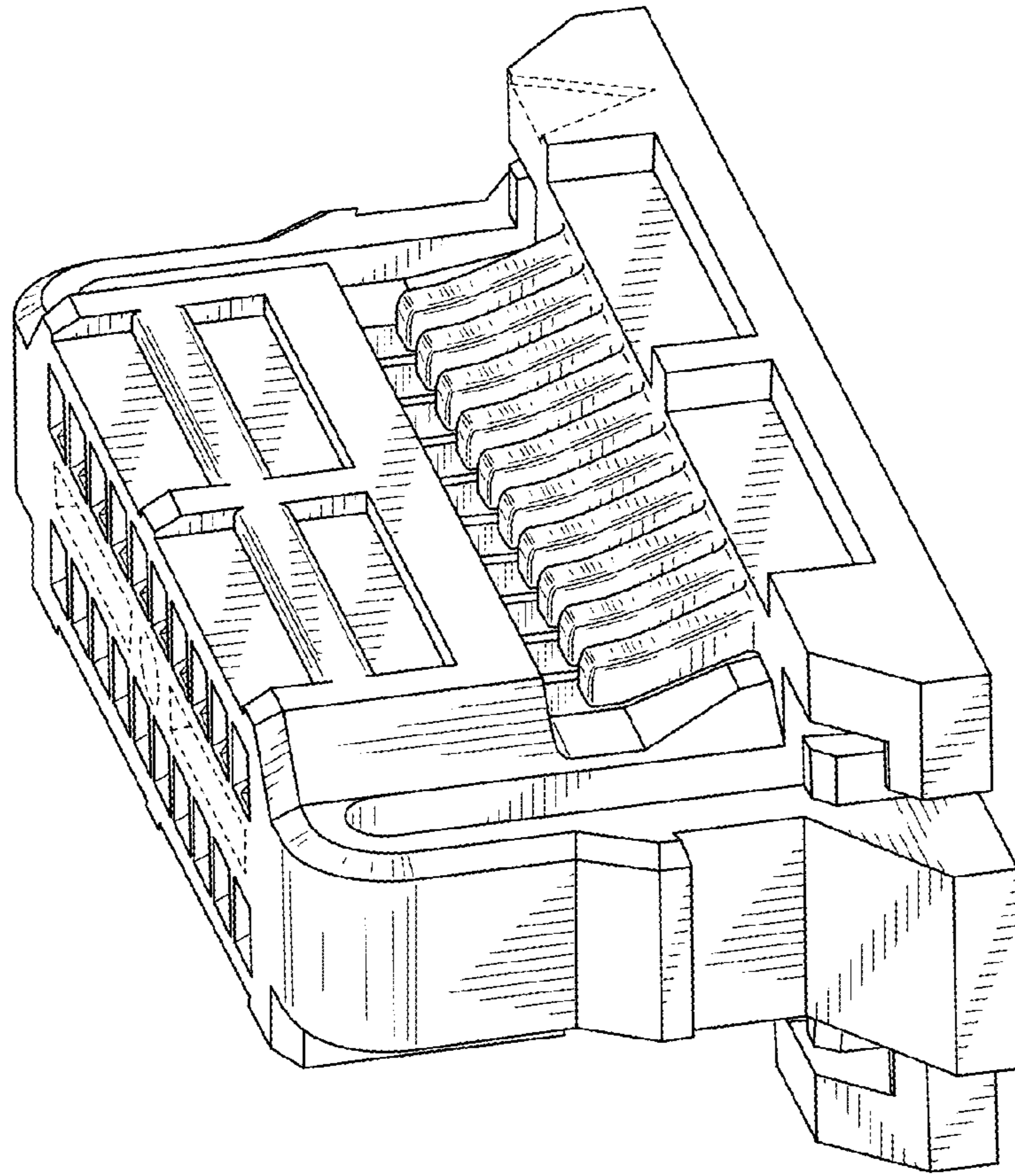


FIG. 3

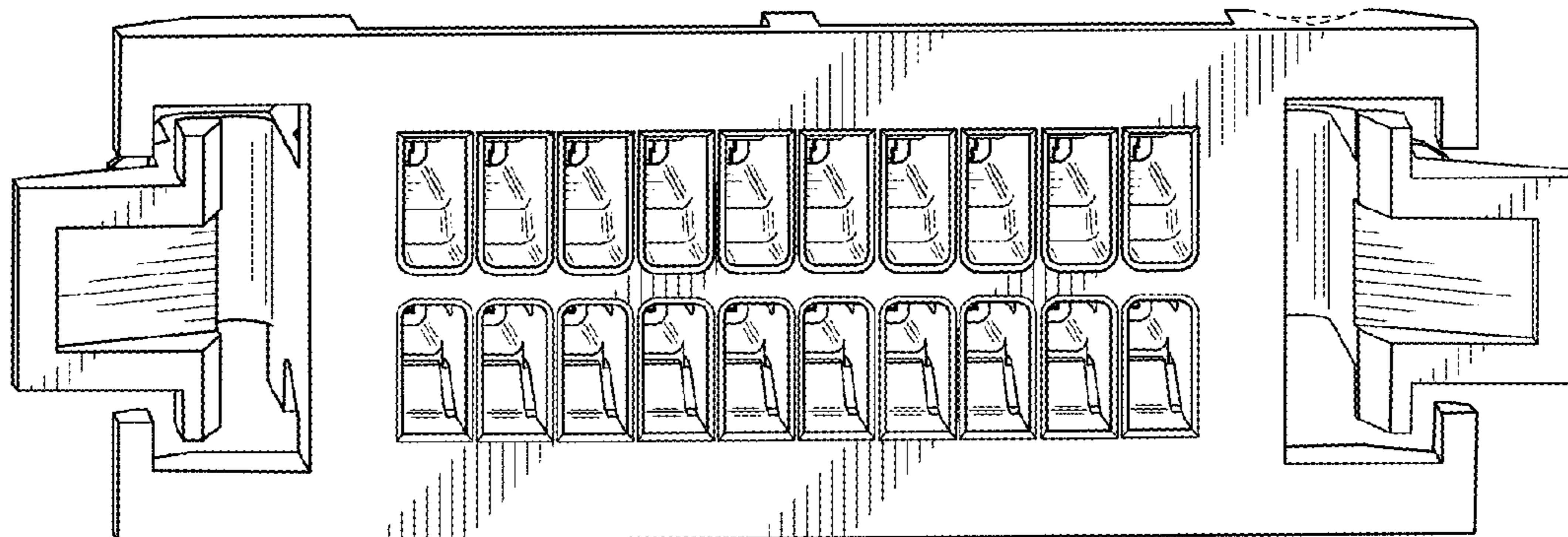


FIG. 4

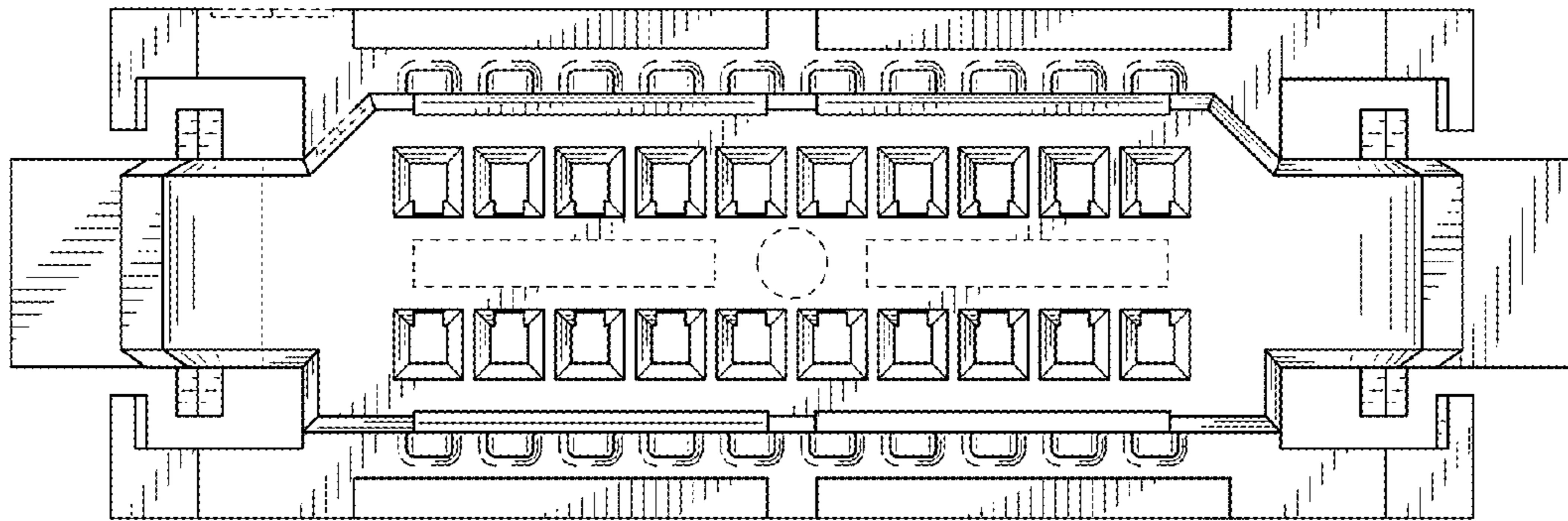


FIG. 5

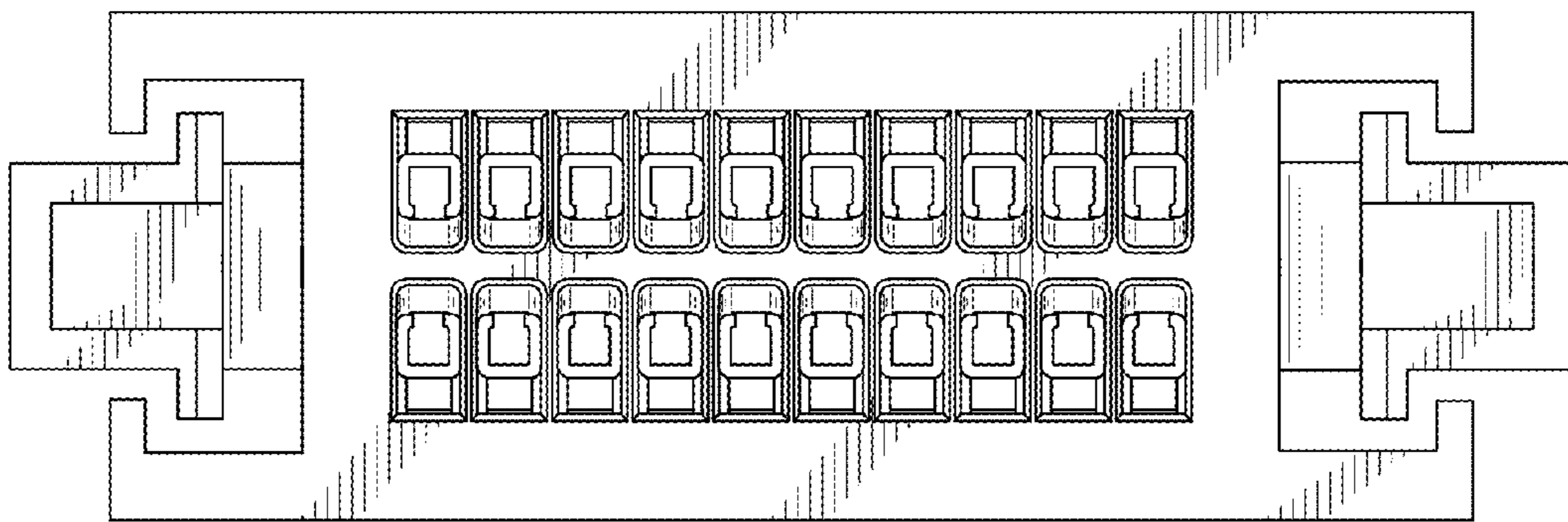
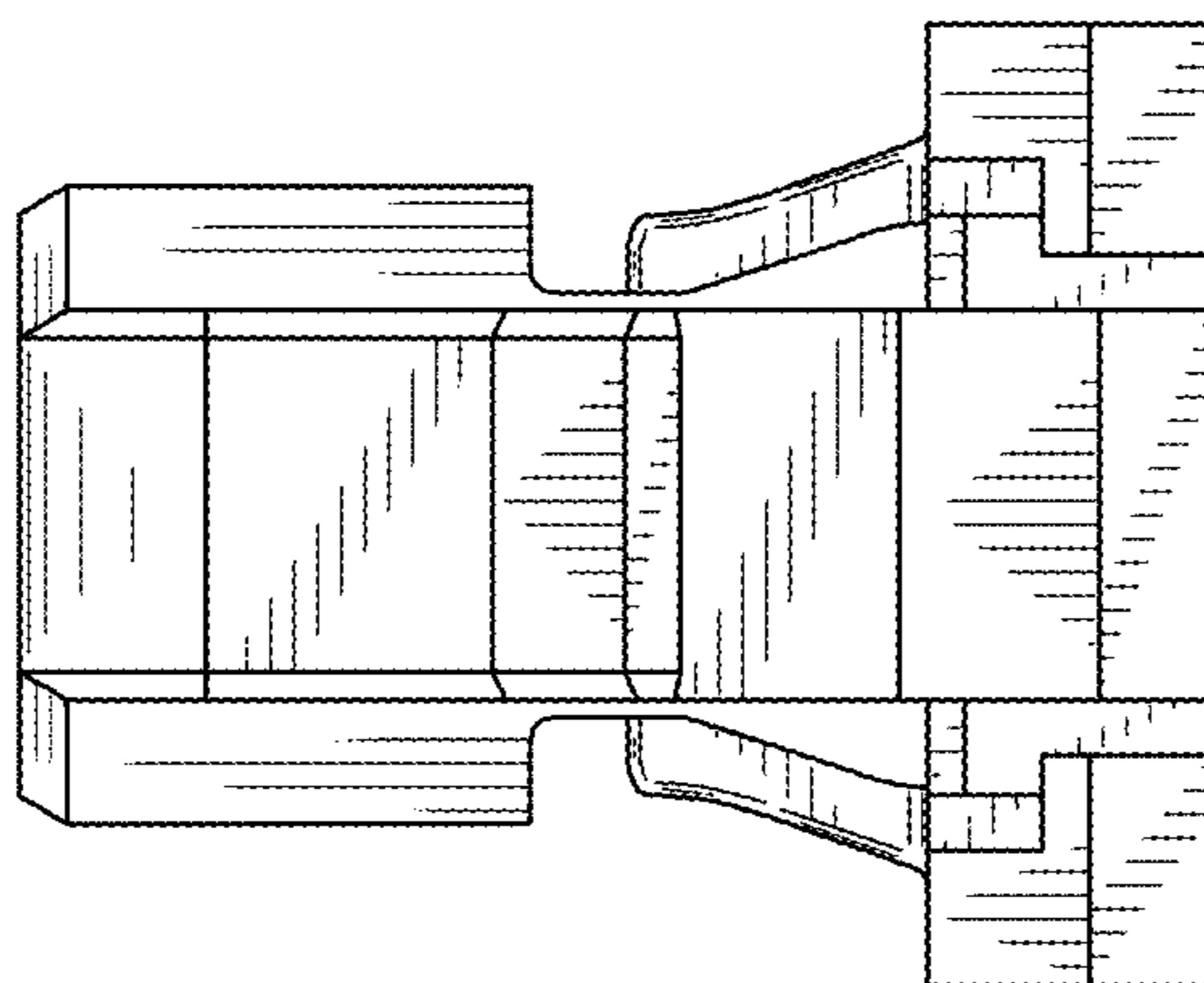
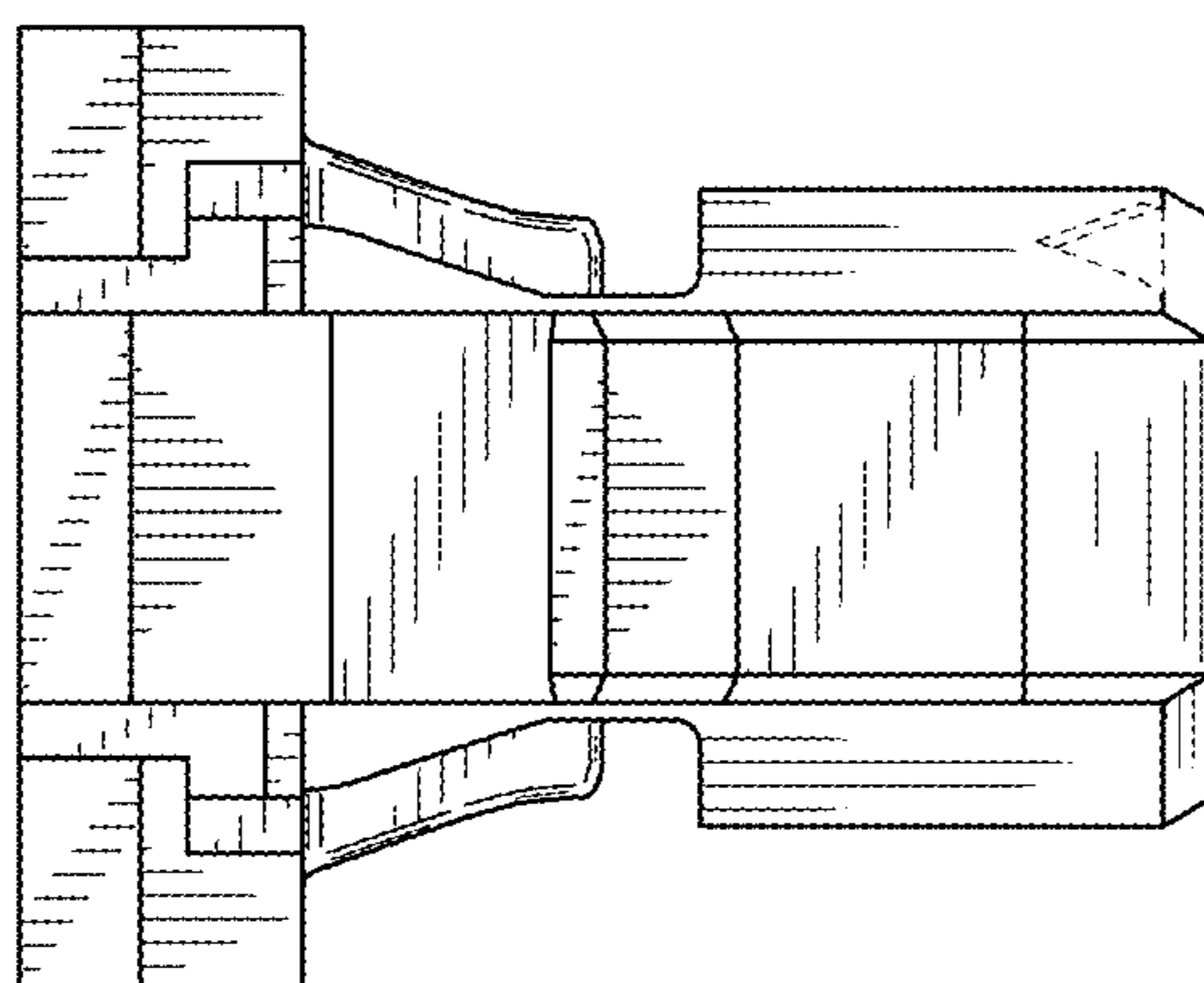


FIG. 6



**FIG. 7**



**FIG. 8**

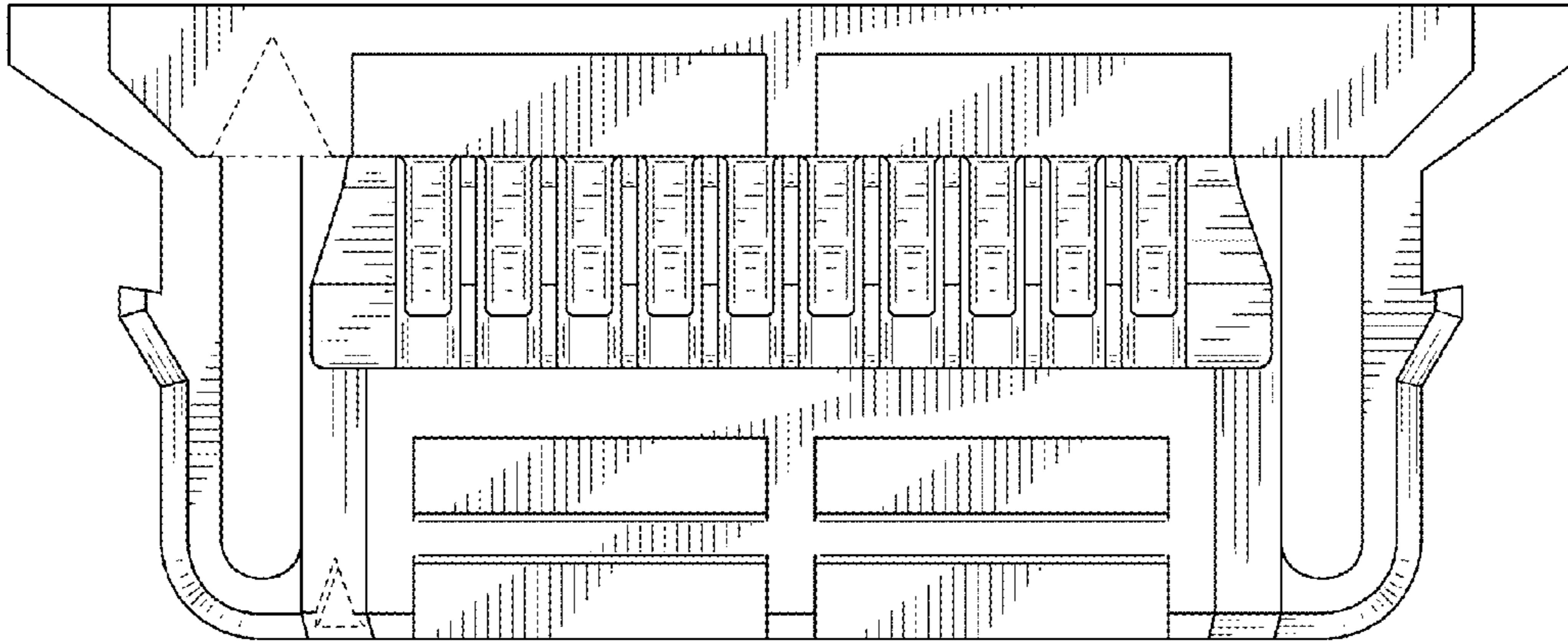


FIG. 9

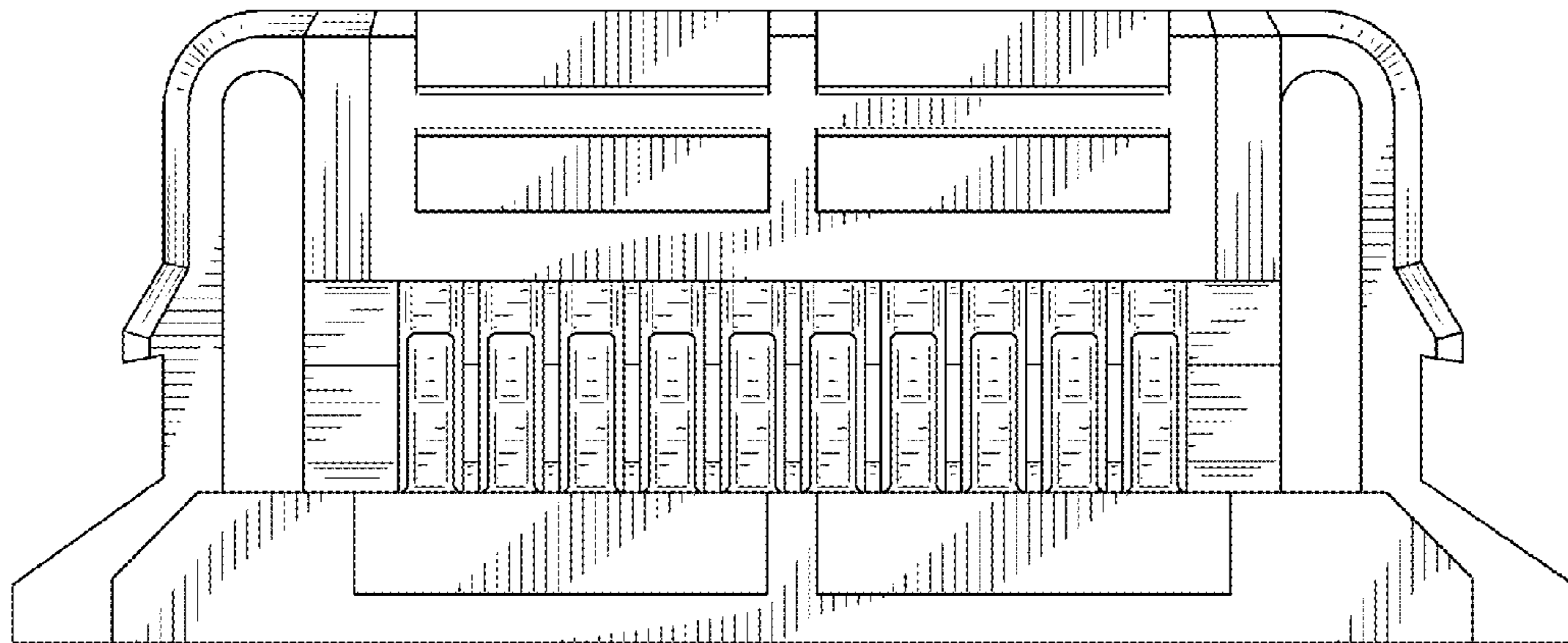


FIG. 10