



US00D709034S

(12) **United States Design Patent**  
**Katayanagi**

(10) **Patent No.:** **US D709,034 S**  
(45) **Date of Patent:** **\*\* Jul. 15, 2014**

(54) **ELECTRICAL CONNECTOR**

(71) Applicant: **Japan Aviation Electronics Industry, Limited**, Tokyo (JP)

(72) Inventor: **Masayuki Katayanagi**, Tokyo (JP)

(73) Assignee: **Japan Aviation Electronics Industry, Limited**, Tokyo (JP)

(\*\*) Term: **14 Years**

(21) Appl. No.: **29/475,887**

(22) Filed: **Dec. 9, 2013**

(30) **Foreign Application Priority Data**

Jun. 21, 2013 (JP) ..... 2013-014031

(51) **LOC (10) Cl.** ..... **13-03**

(52) **U.S. Cl.**  
USPC ..... **D13/147**

(58) **Field of Classification Search**  
USPC ..... D13/147, 154, 184, 199; 439/79, 108,  
439/180, 246, 374, 378, 488, 527, 529, 530,  
439/533, 567, 607.1, 607.4, 607.5, 607.17,  
439/607.25, 607.34, 607.41, 607.53, 668,  
439/680, 892, 894

See application file for complete search history.

(56) **References Cited**

U.S. PATENT DOCUMENTS

D465,202	S	*	11/2002	Kubota	.....	D13/147
D476,952	S	*	7/2003	Masaki	.....	D13/147
D488,446	S	*	4/2004	Sato	.....	D13/147
D507,538	S	*	7/2005	Wang	.....	D13/147
D585,829	S	*	2/2009	Ko et al.	.....	D13/147
D636,733	S	*	4/2011	Wang et al.	.....	D13/147

\* cited by examiner

*Primary Examiner* — Daniel Bui  
(74) *Attorney, Agent, or Firm* — Westerman, Hattori, Daniels & Adrian, LLP

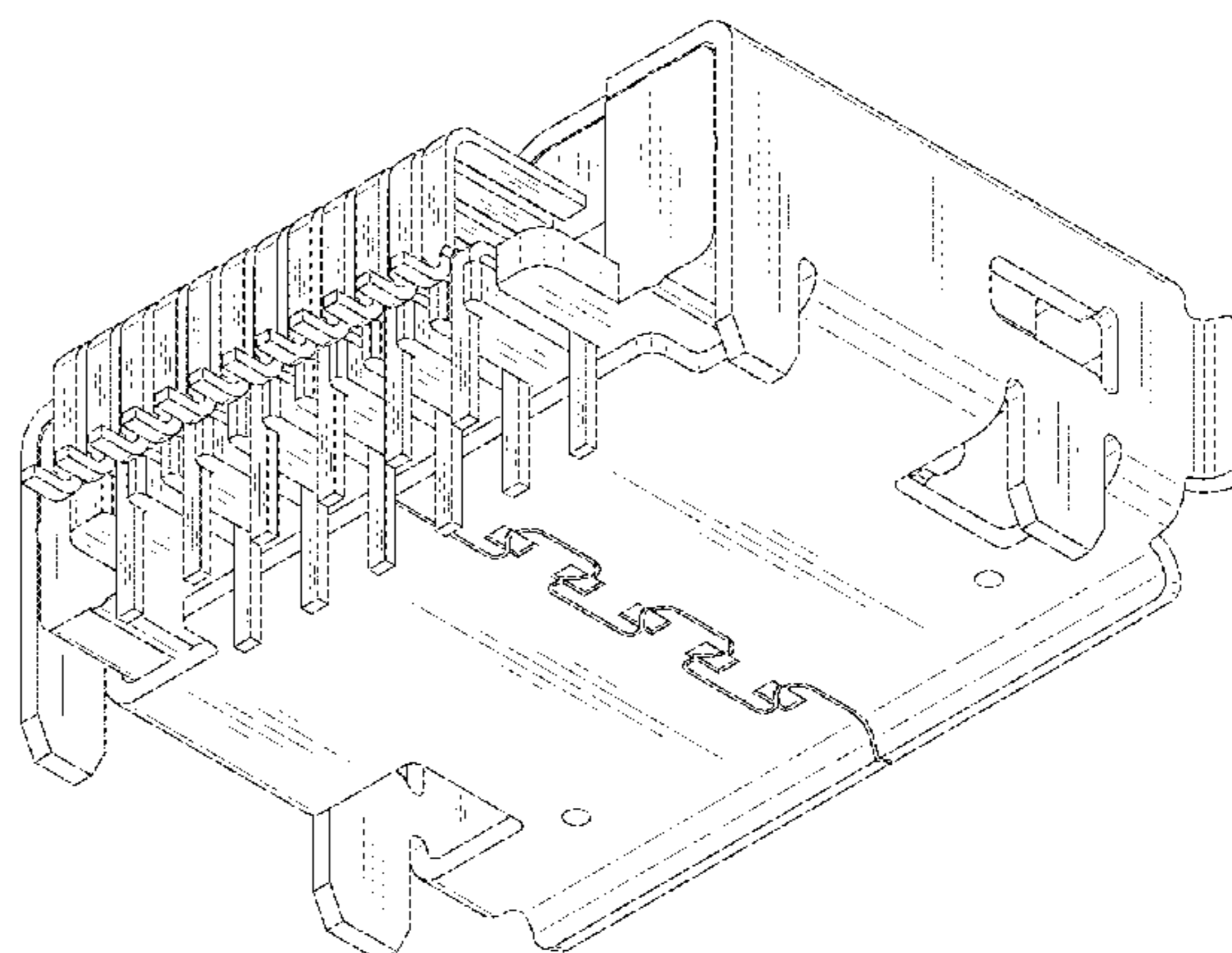
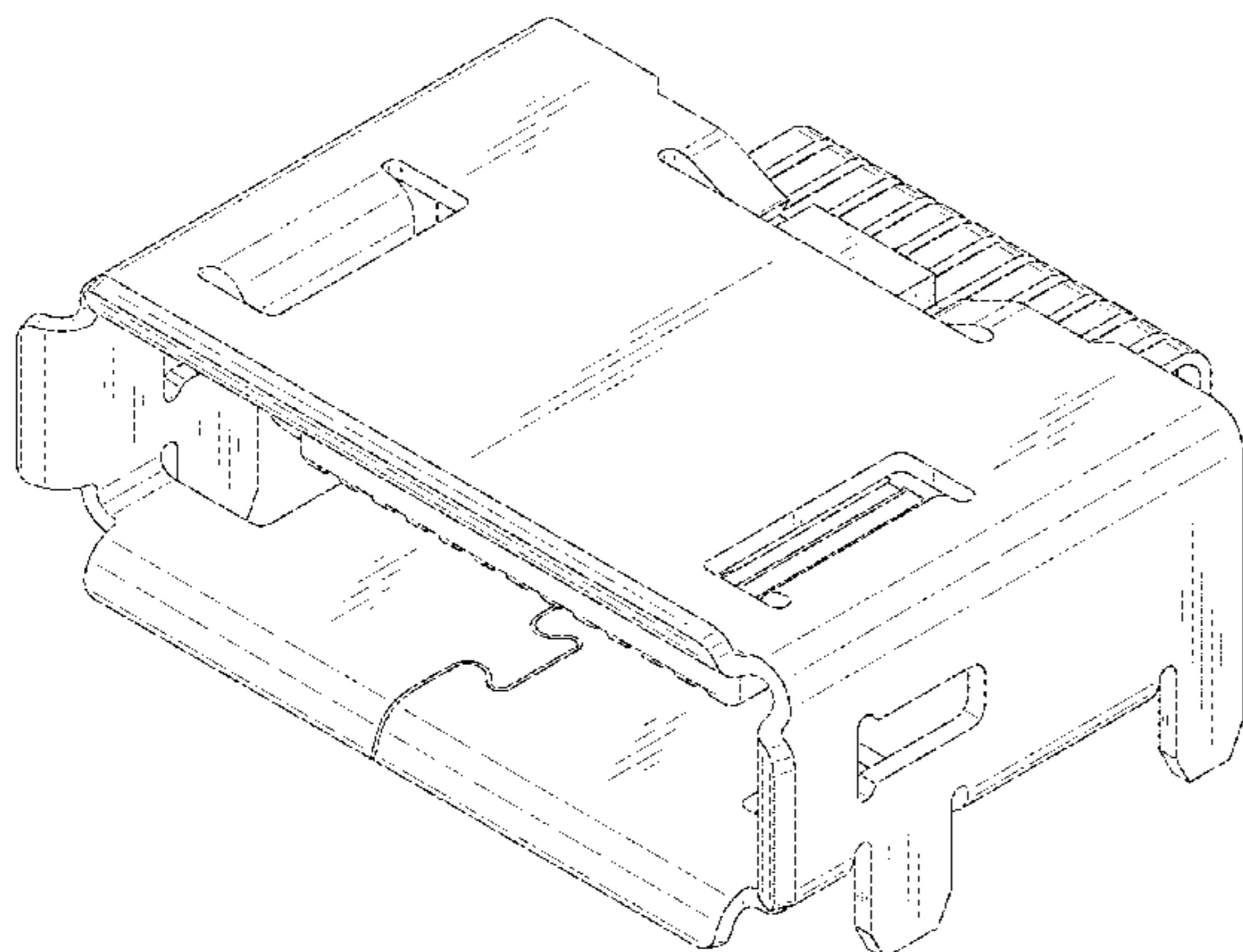
(57) **CLAIM**

The ornamental design for an electrical connector, as shown and described.

**DESCRIPTION**

FIG. 1 is a front elevational view of an electrical connector, showing my new design;  
FIG. 2 is a rear elevational view thereof;  
FIG. 3 is a right side elevational view thereof;  
FIG. 4 is a left side elevational view thereof;  
FIG. 5 is a top plan view thereof;  
FIG. 6 is a bottom plan view thereof;  
FIG. 7 is a right front perspective view showing the top thereof;  
FIG. 8 is a left rear perspective view showing the bottom thereof;  
FIG. 9 is a right front perspective view showing the bottom thereof; and,  
FIG. 10 is a left rear perspective view showing the top thereof.

**1 Claim, 10 Drawing Sheets**



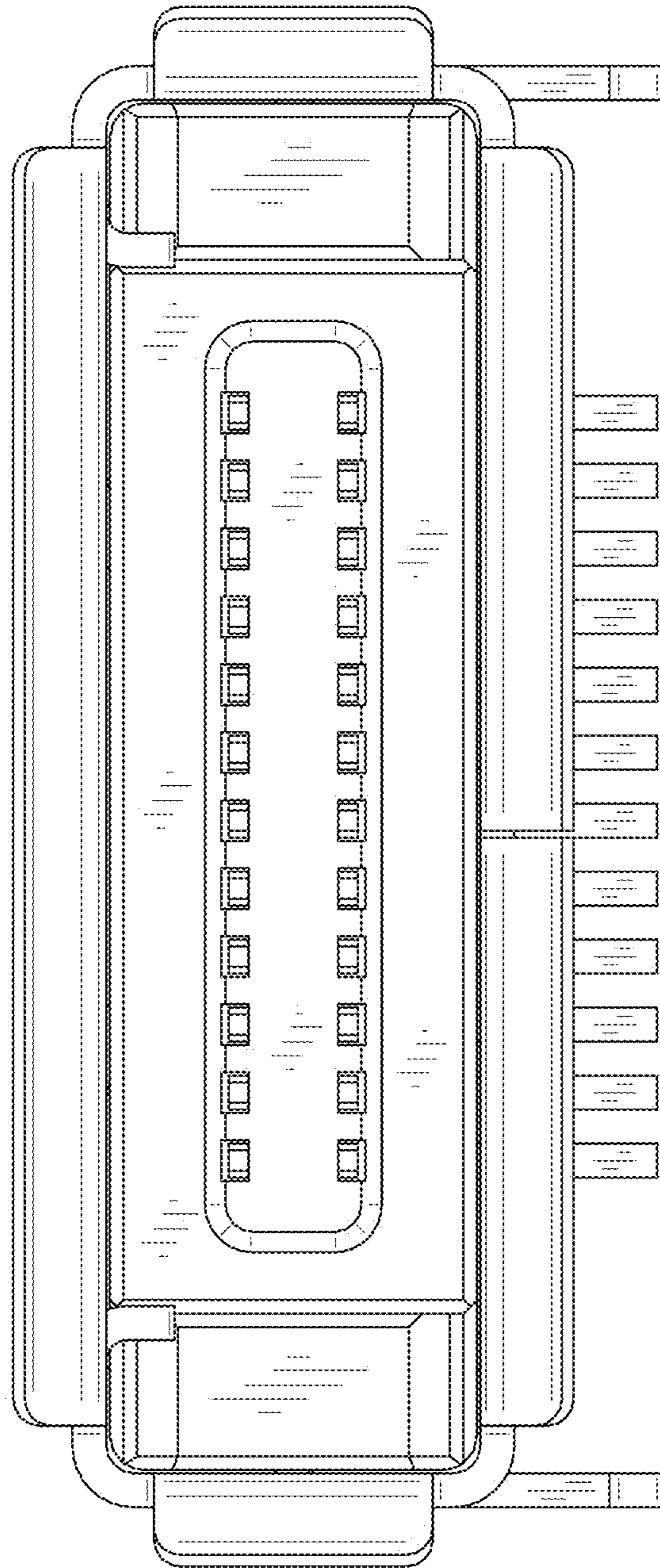


FIG.1

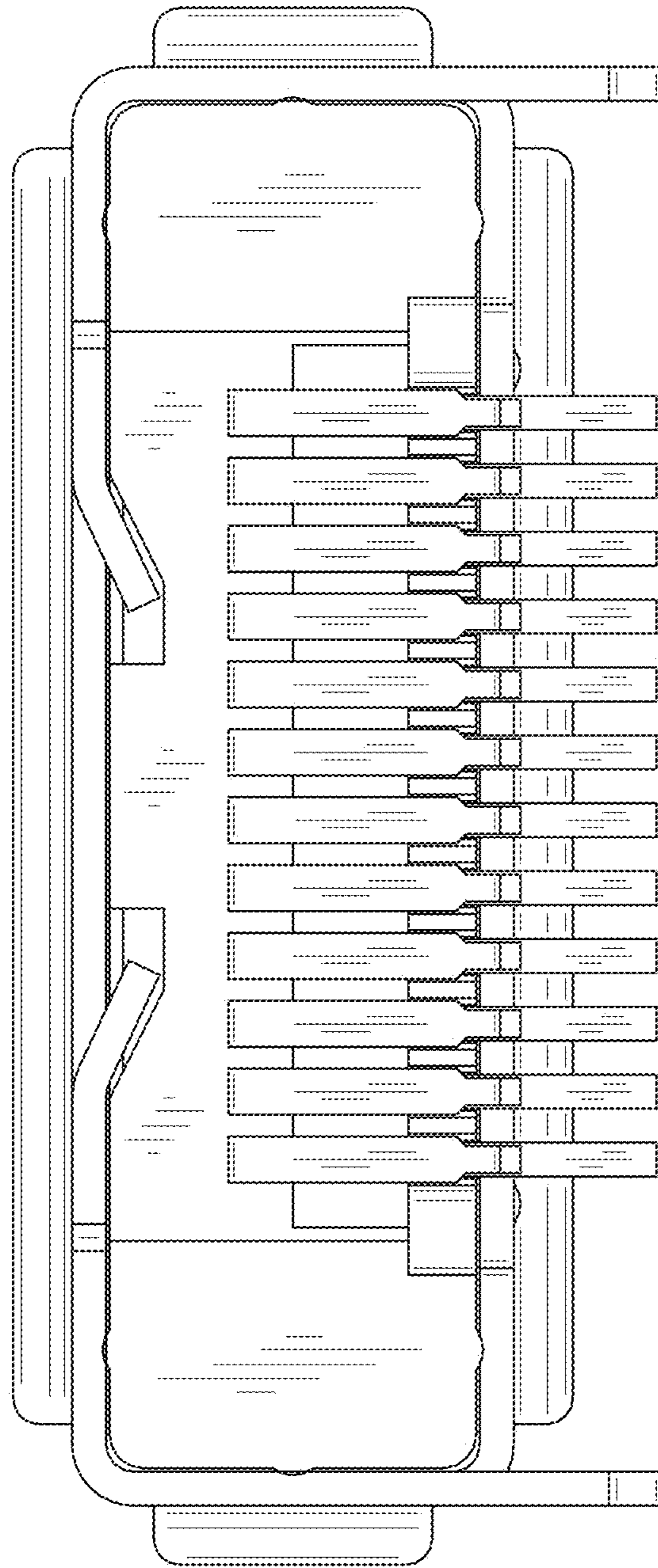


FIG.2

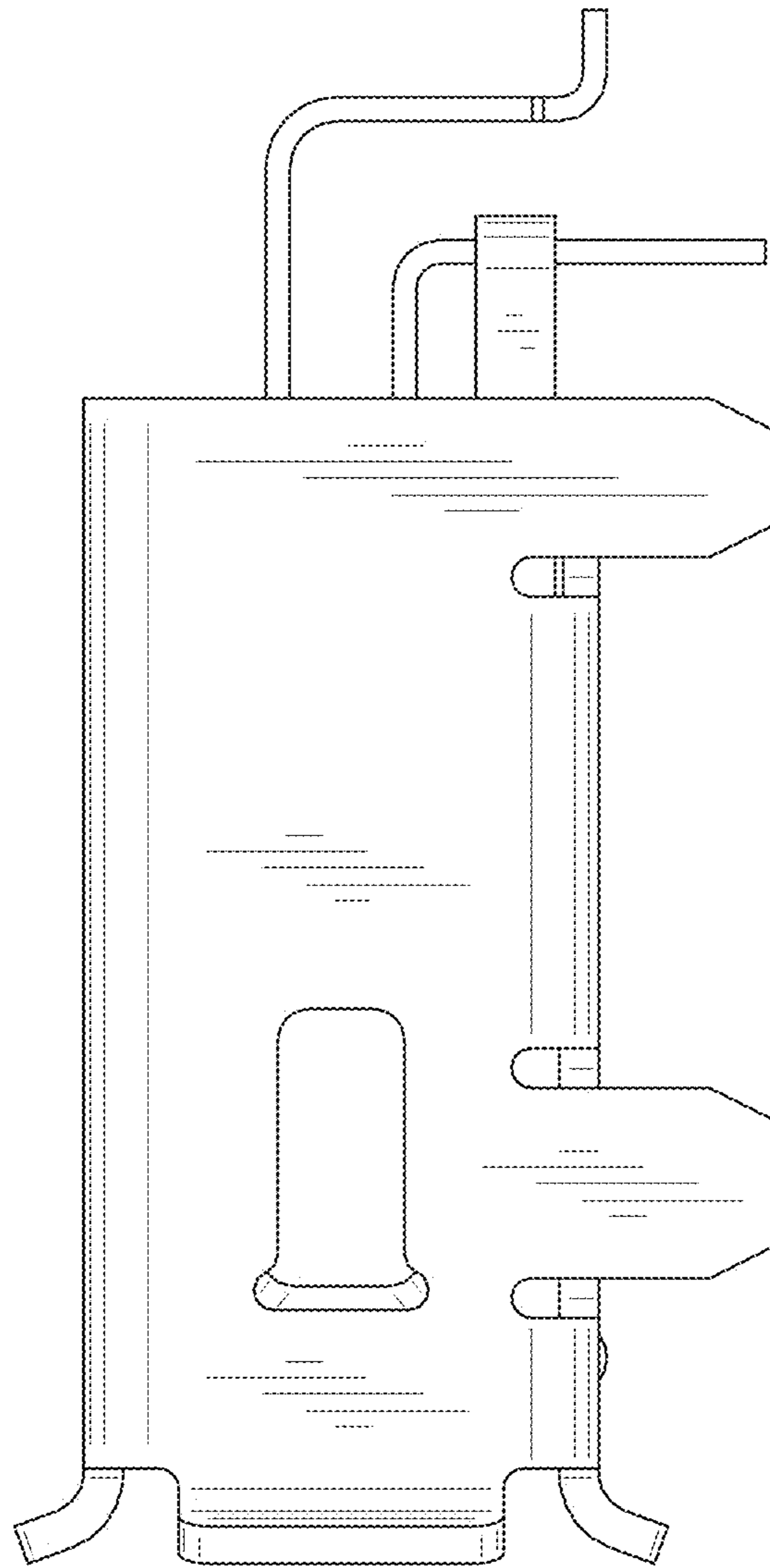


FIG. 3

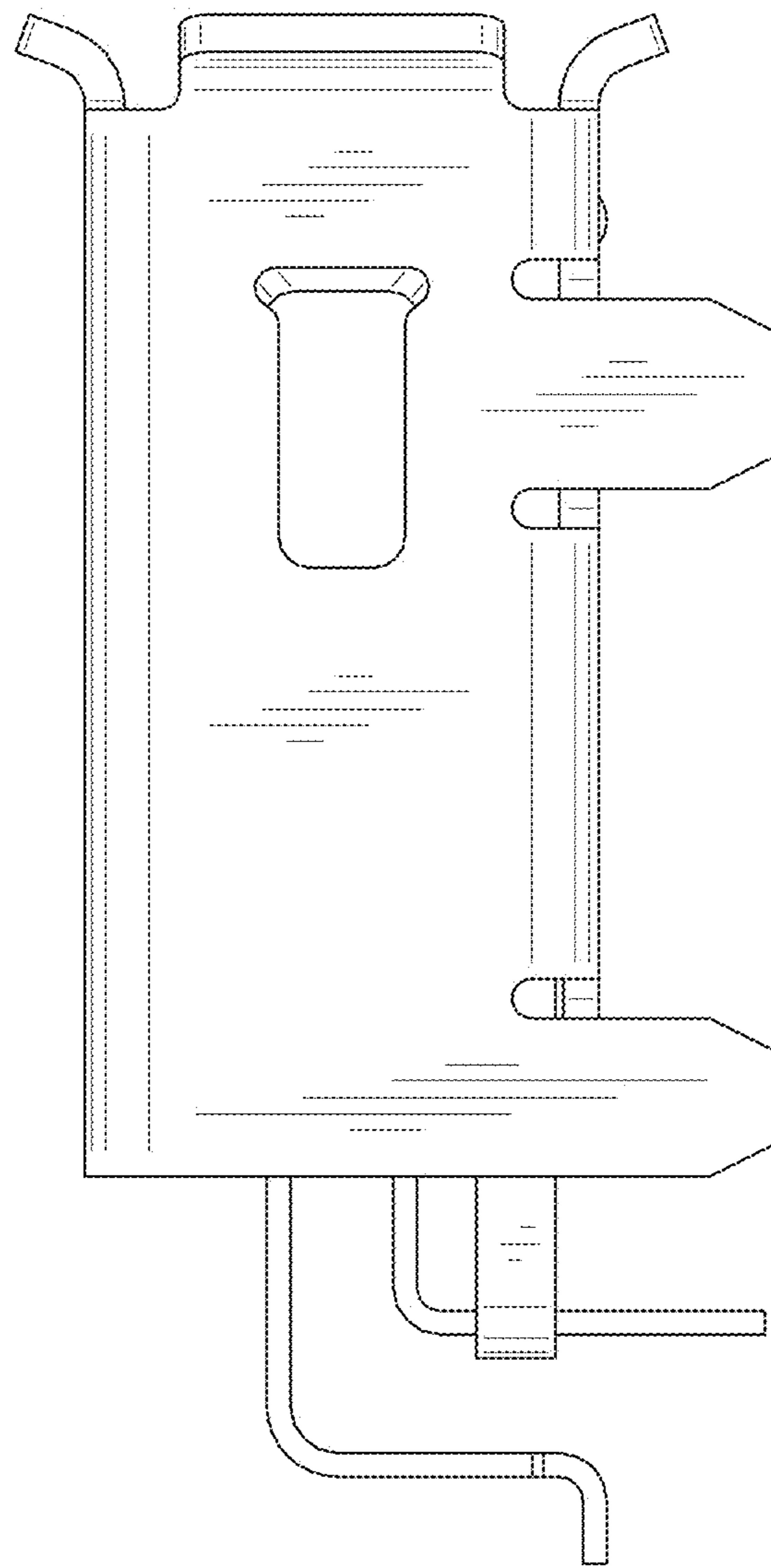


FIG.4

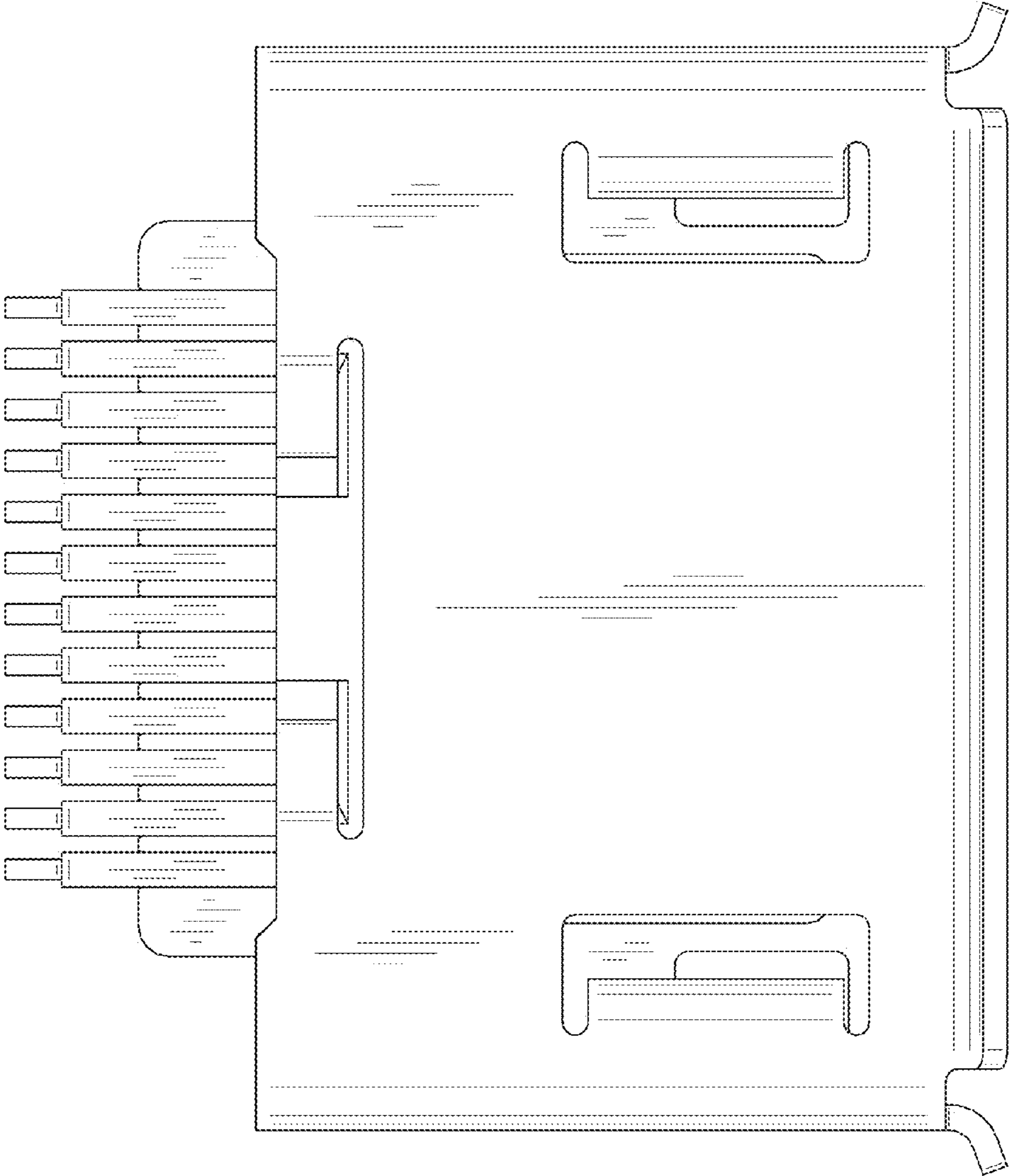


FIG.5

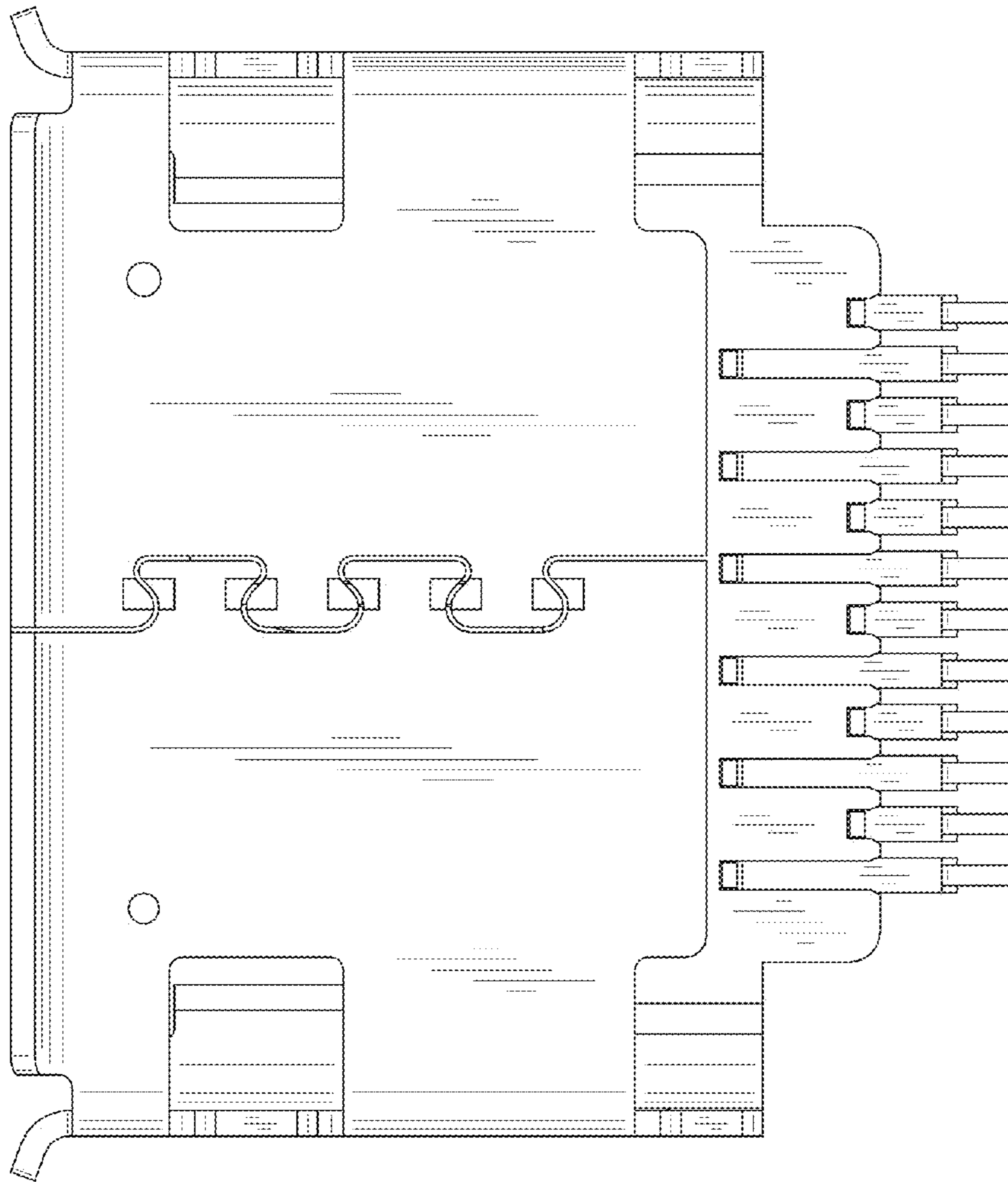


FIG. 6

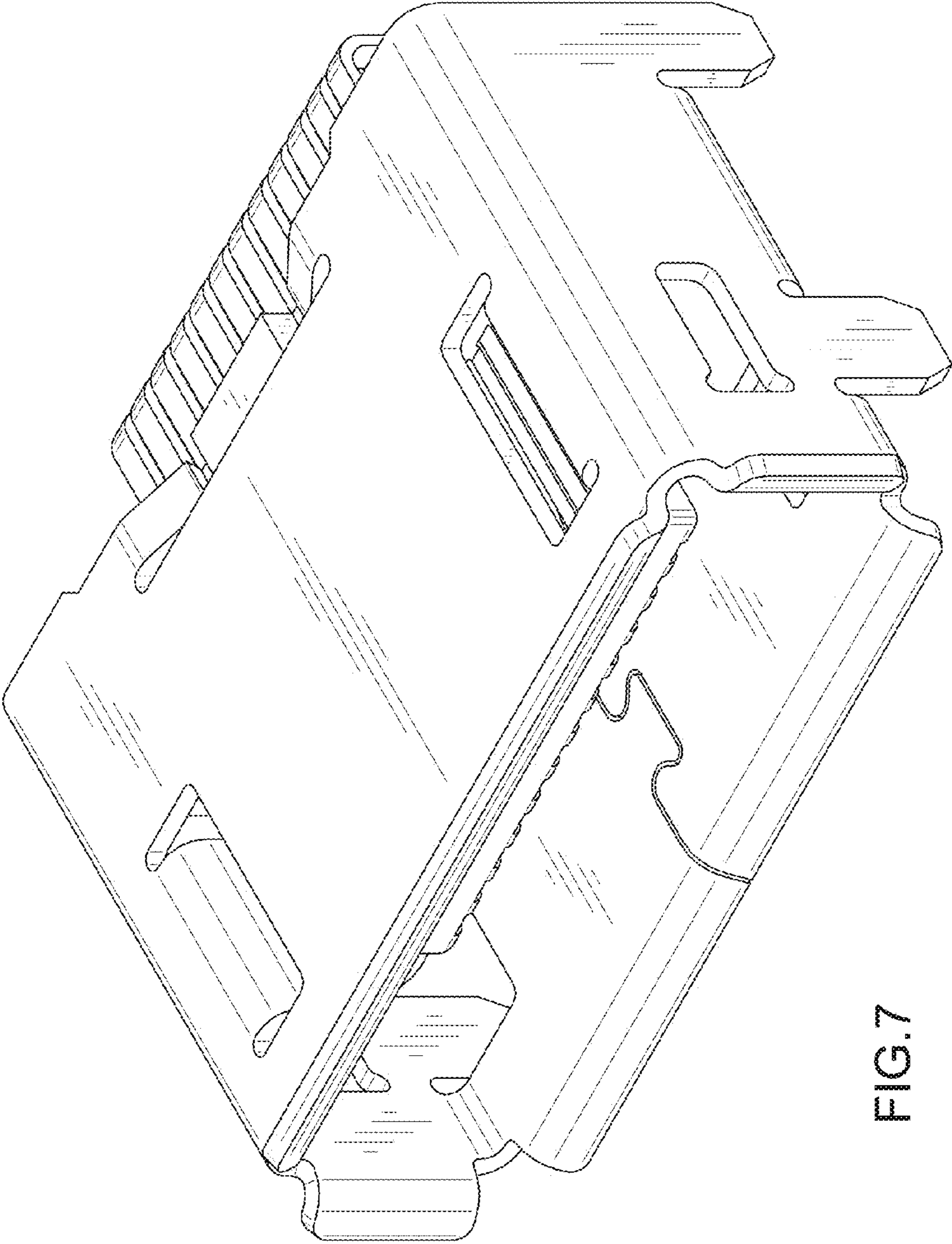


FIG. 7



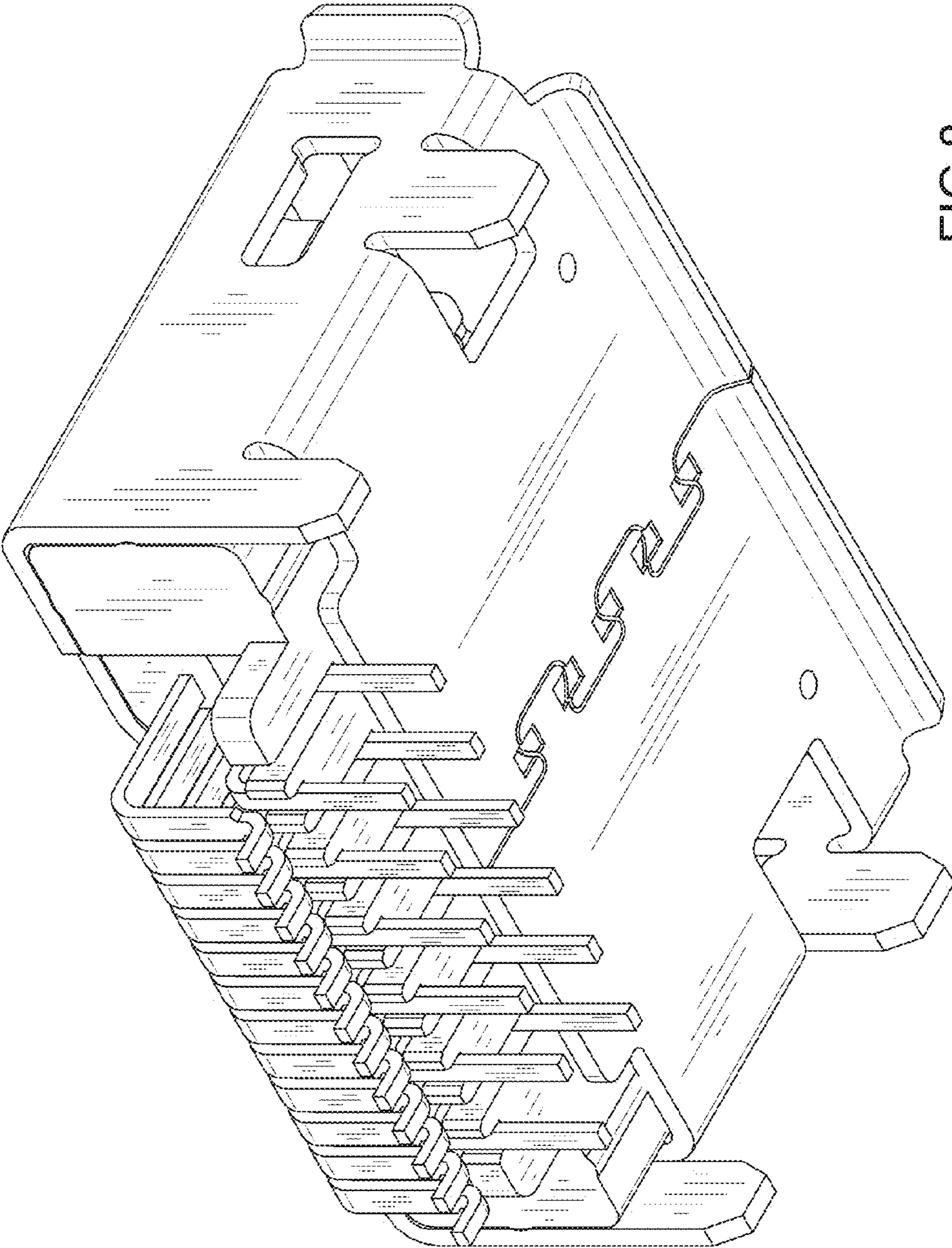


FIG.8

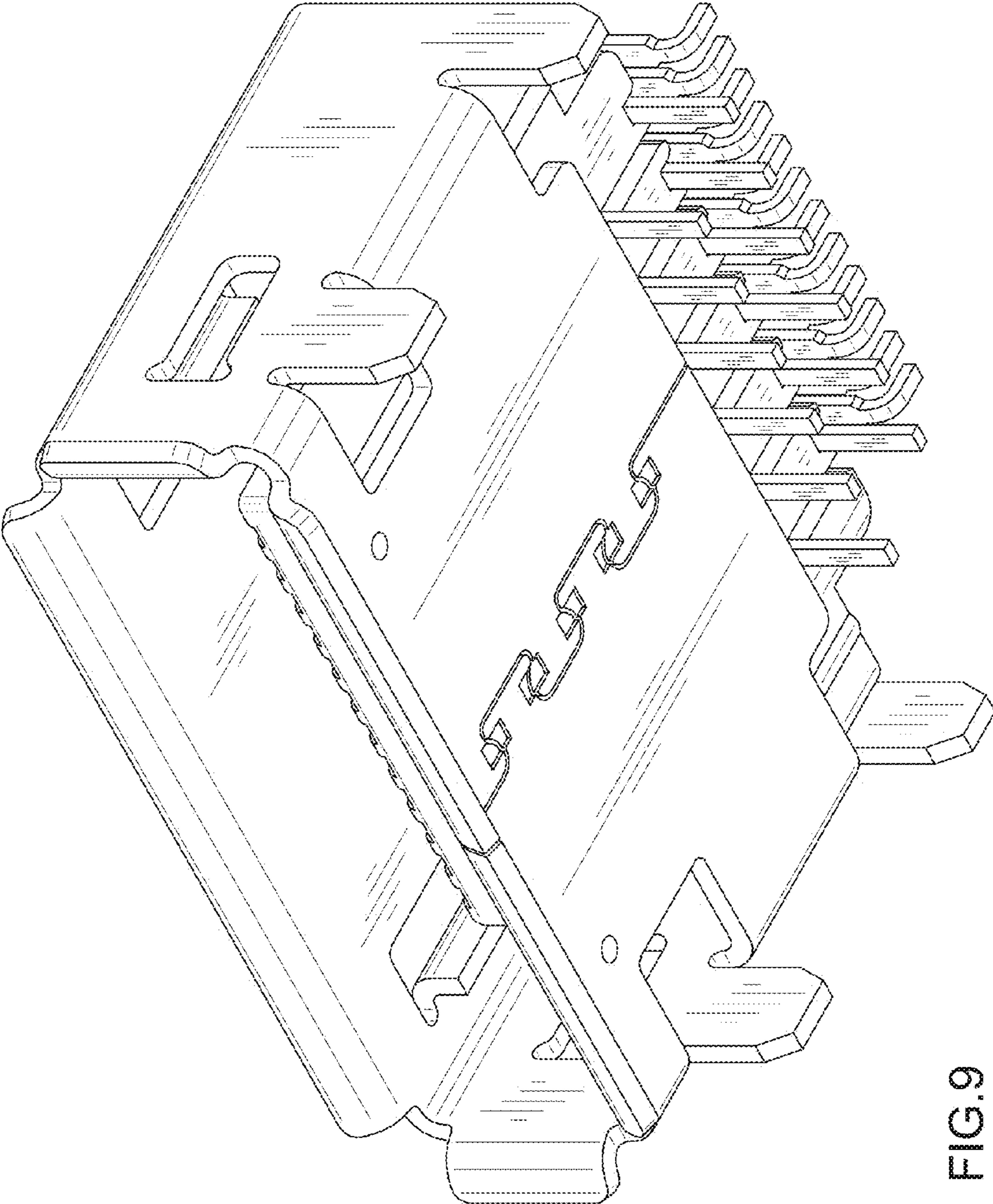


FIG.9

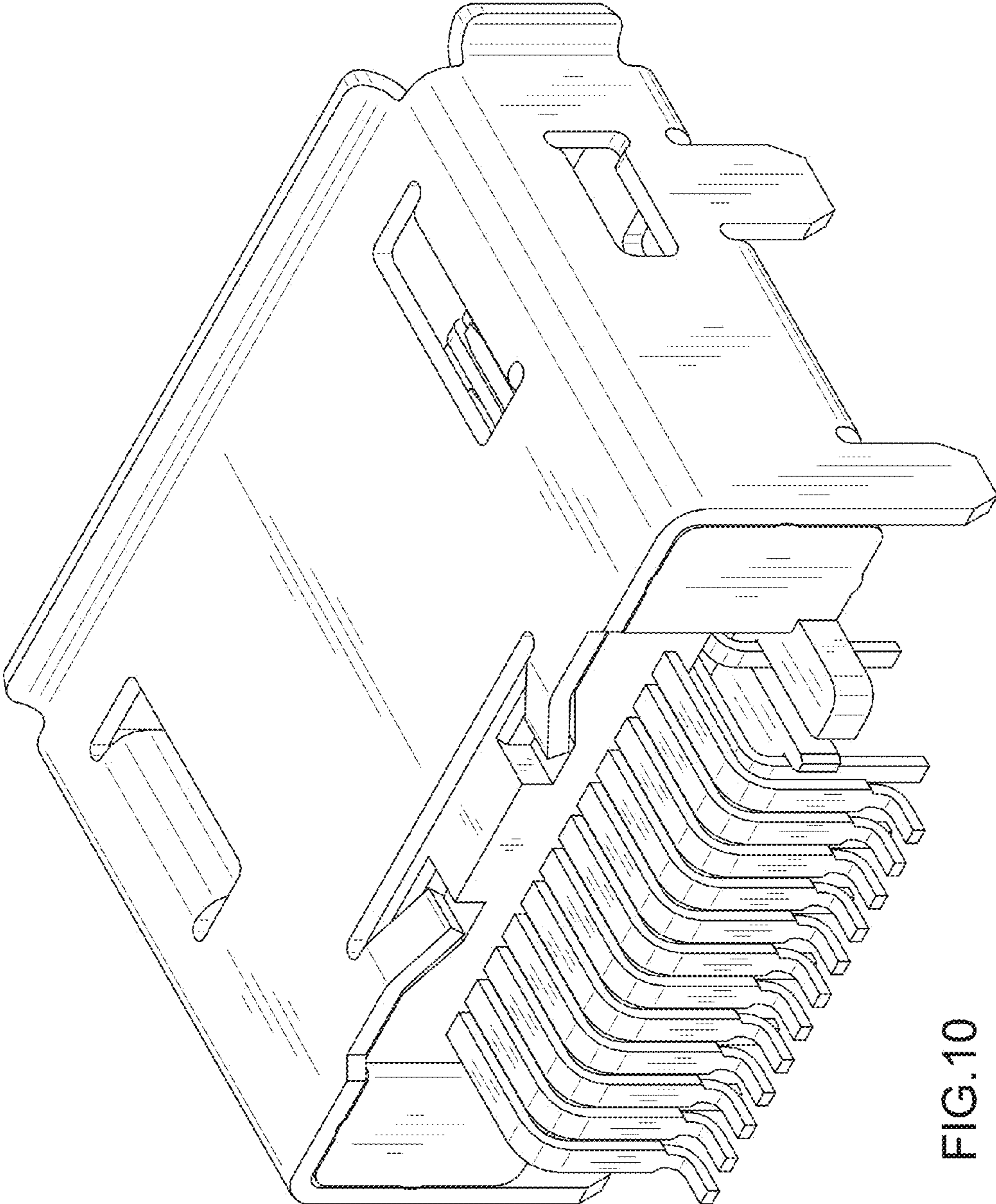


FIG.10