



US00D709033S

(12) **United States Design Patent**
Shiratori et al.

(10) **Patent No.:** **US D709,033 S**
(45) **Date of Patent:** **** Jul. 15, 2014**

(54) **ELECTRICAL CONNECTOR**

(75) Inventors: **Masayuki Shiratori**, Tokyo (JP); **Ryuzo Shimeno**, Tokyo (JP); **Toshiyuki Moritake**, Tokyo (JP); **Shuichi Aihara**, Tokyo (JP)

(73) Assignee: **Japan Aviation Electronics Industry, Limited**, Tokyo (JP)

(**) Term: **14 Years**

(21) Appl. No.: **29/426,982**

(22) Filed: **Jul. 12, 2012**

(30) **Foreign Application Priority Data**

Jan. 27, 2012 (JP) 2012-001559

(51) **LOC (10) Cl.** **13-03**

(52) **U.S. Cl.**
USPC **D13/147**

(58) **Field of Classification Search**
USPC D13/147, 154, 184, 199; 439/79, 108, 439/135, 180, 246, 278, 291, 328, 344, 350, 439/353, 357, 358, 374, 378, 381, 391, 489, 439/509, 527, 529, 530, 533, 587, 594, 598, 439/607.01, 607.04, 607.05, 607.17, 439/607.25, 607.34, 607.41, 607.53, 626, 439/629, 637, 656, 660, 668, 676, 680, 711, 439/745, 752, 892, 894

See application file for complete search history.

(56) **References Cited**

U.S. PATENT DOCUMENTS

5,393,235 A * 2/1995 Ingalsbe 439/76.1
D415,733 S * 10/1999 Wu D13/146

D478,319 S * 8/2003 Yeh D13/147
D479,508 S * 9/2003 Wang et al. D13/147
D508,024 S * 8/2005 Wu D13/147
D543,506 S * 5/2007 Peng D13/147
D543,507 S * 5/2007 Peng D13/147
D580,359 S * 11/2008 Su et al. D13/147

* cited by examiner

Primary Examiner — Daniel Bui

(74) *Attorney, Agent, or Firm* — Westerman, Hattori, Daniels & Adrian, LLP

(57) **CLAIM**

The ornamental design for an electrical connector, as shown and described.

DESCRIPTION

FIG. 1 is a front elevational view of an electrical connector, showing our new design;
FIG. 2 is a rear elevational view thereof;
FIG. 3 is a right side elevational view thereof;
FIG. 4 is a left side elevational view thereof;
FIG. 5 is a top plan view thereof;
FIG. 6 is a bottom plan view thereof;
FIG. 7 is a cross-sectional view, taken along line 7-7 of FIG. 1;
FIG. 8 is a cross-sectional view, taken along line 8-8 of FIG. 5;
FIG. 9 is a right front perspective view showing the top thereof;
FIG. 10 a left rear perspective view showing the bottom thereof;
FIG. 11 is a right front perspective view showing the bottom thereof; and,
FIG. 12 is a left rear perspective view showing the top thereof.

1 Claim, 12 Drawing Sheets

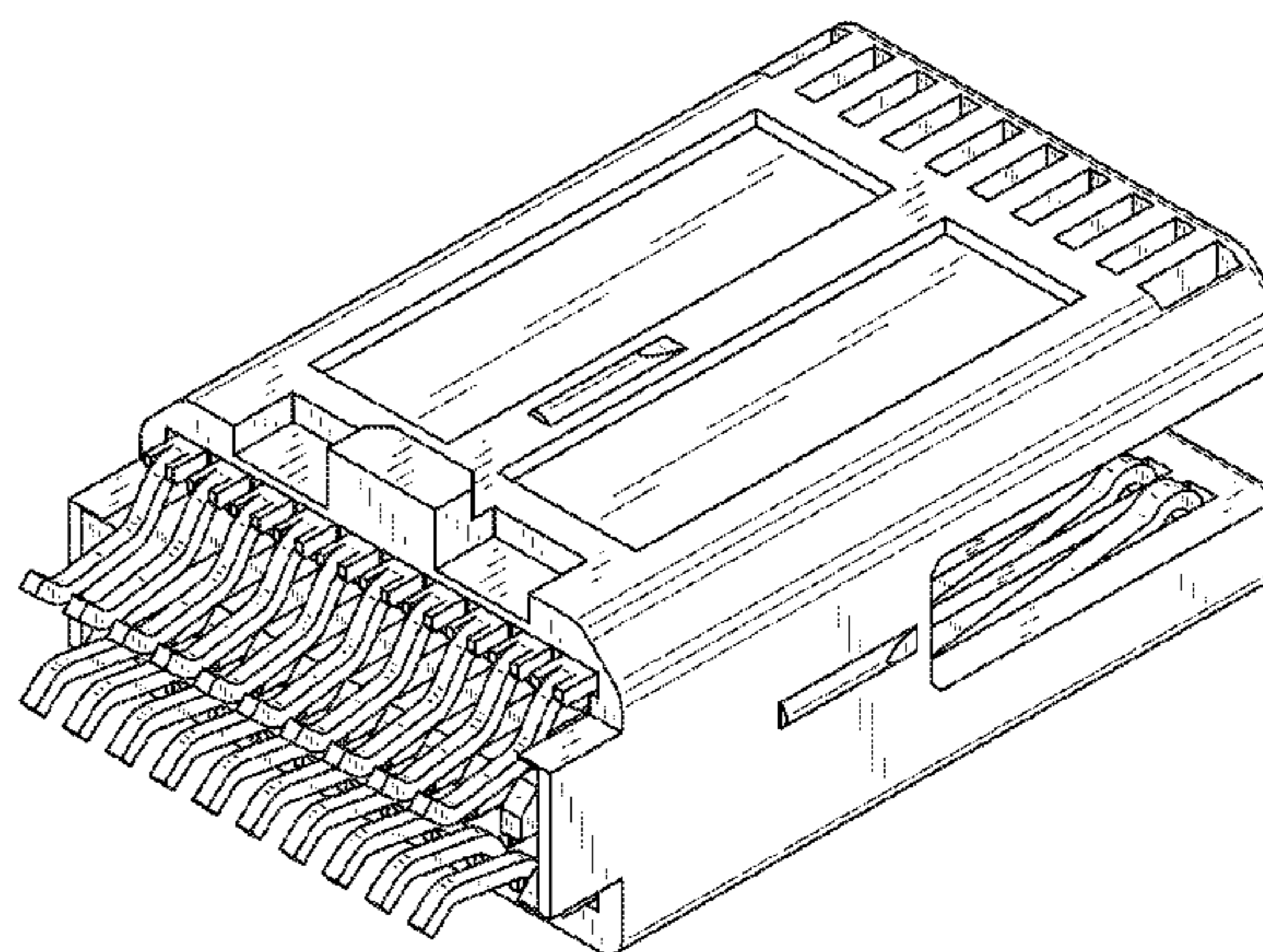
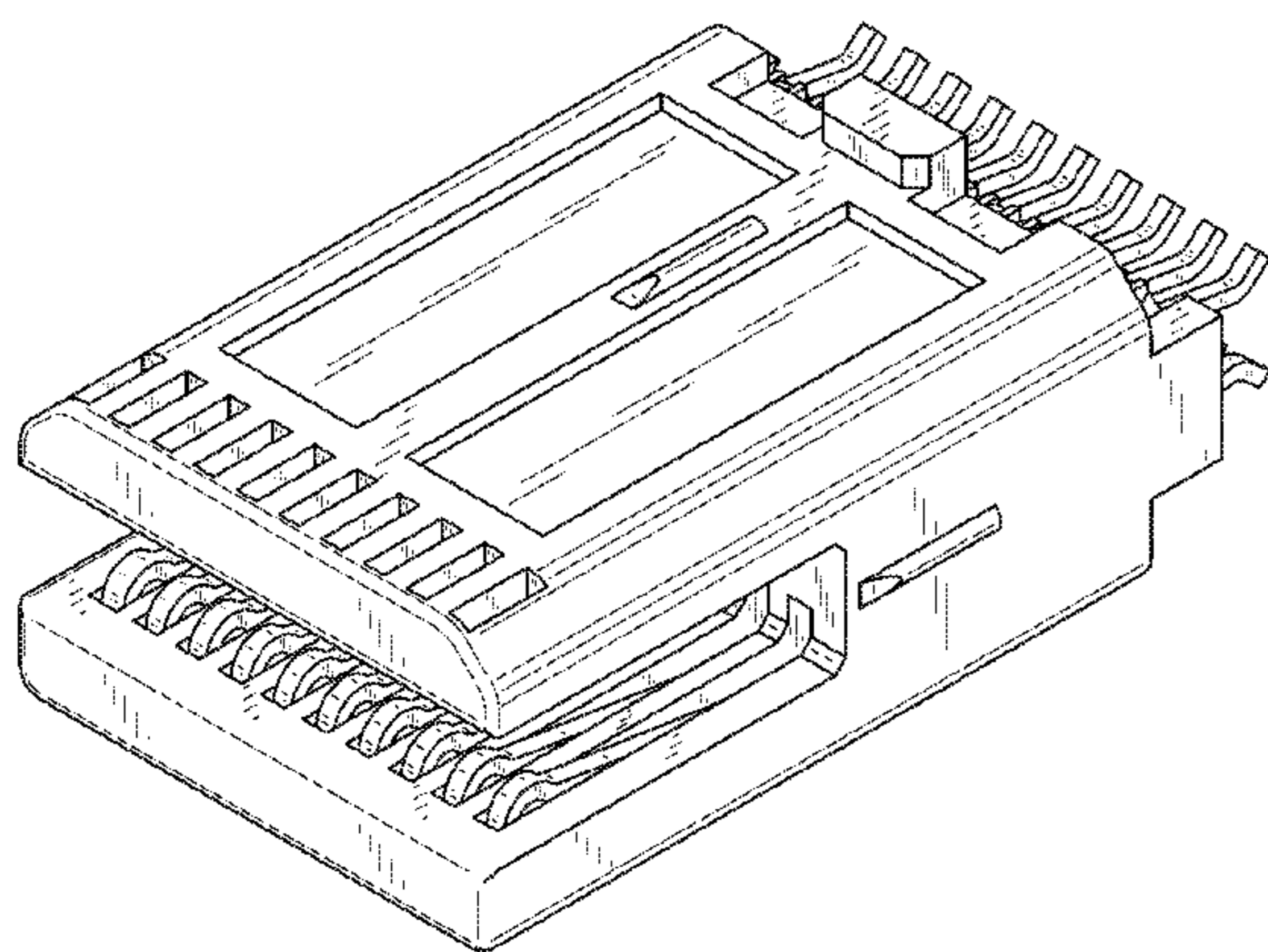


FIG. 1

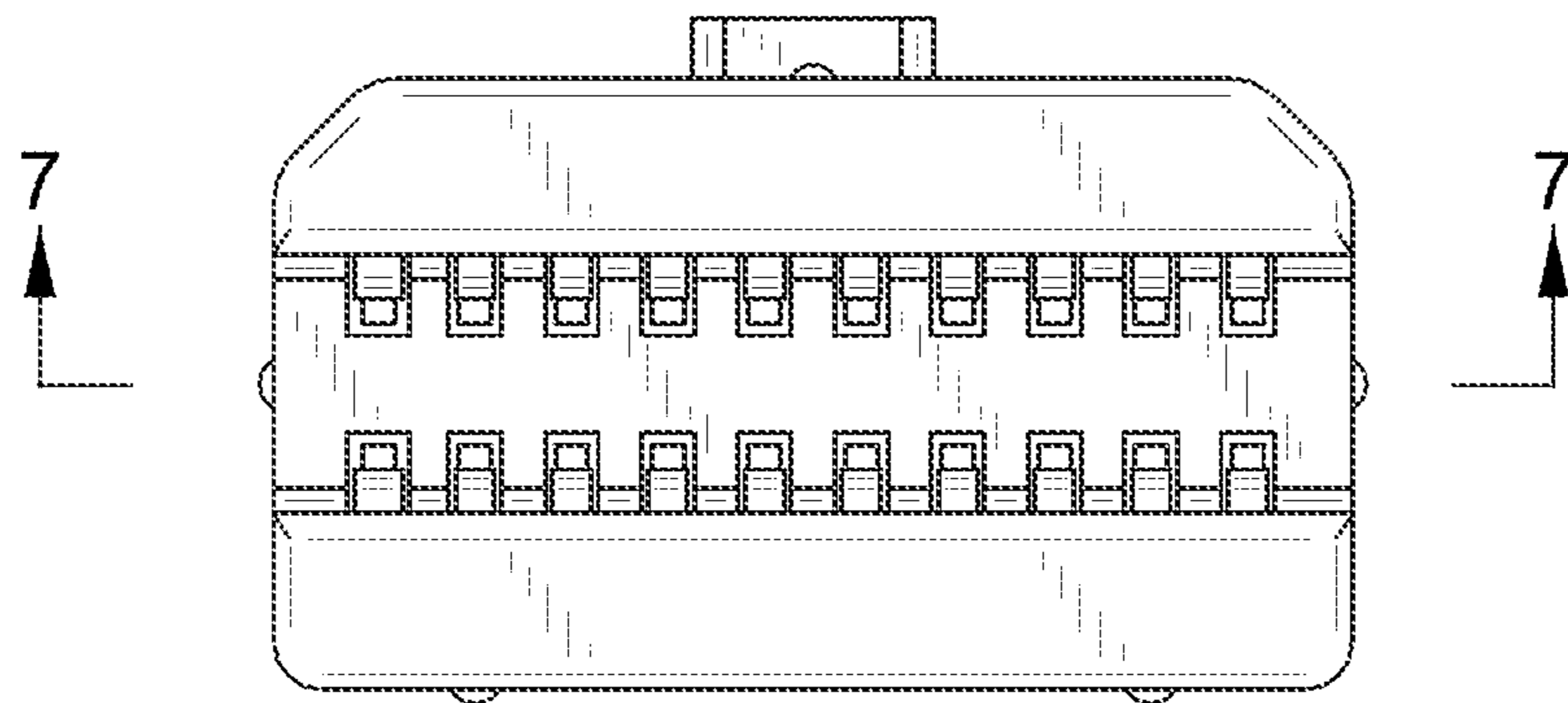


FIG.2

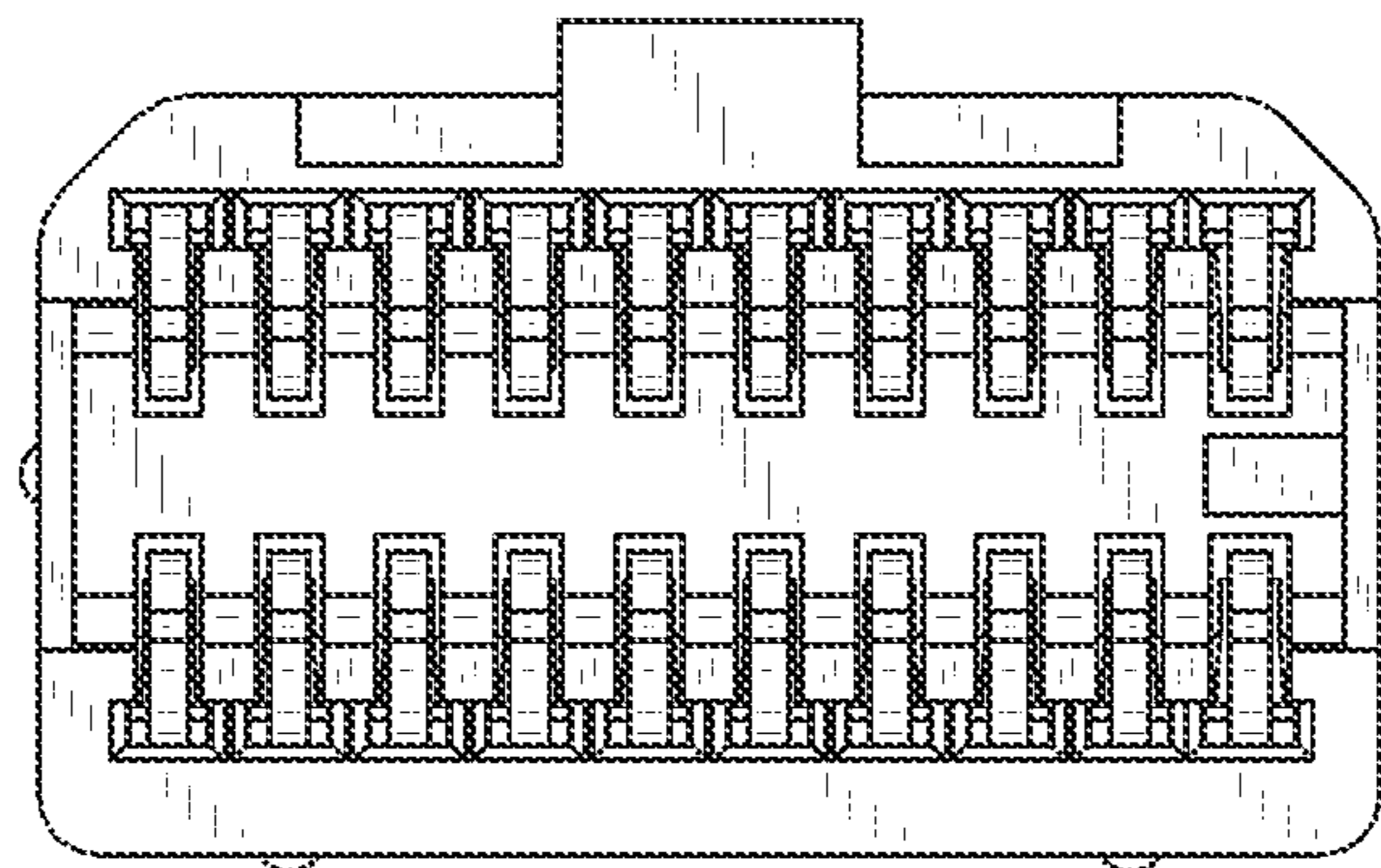


FIG.3

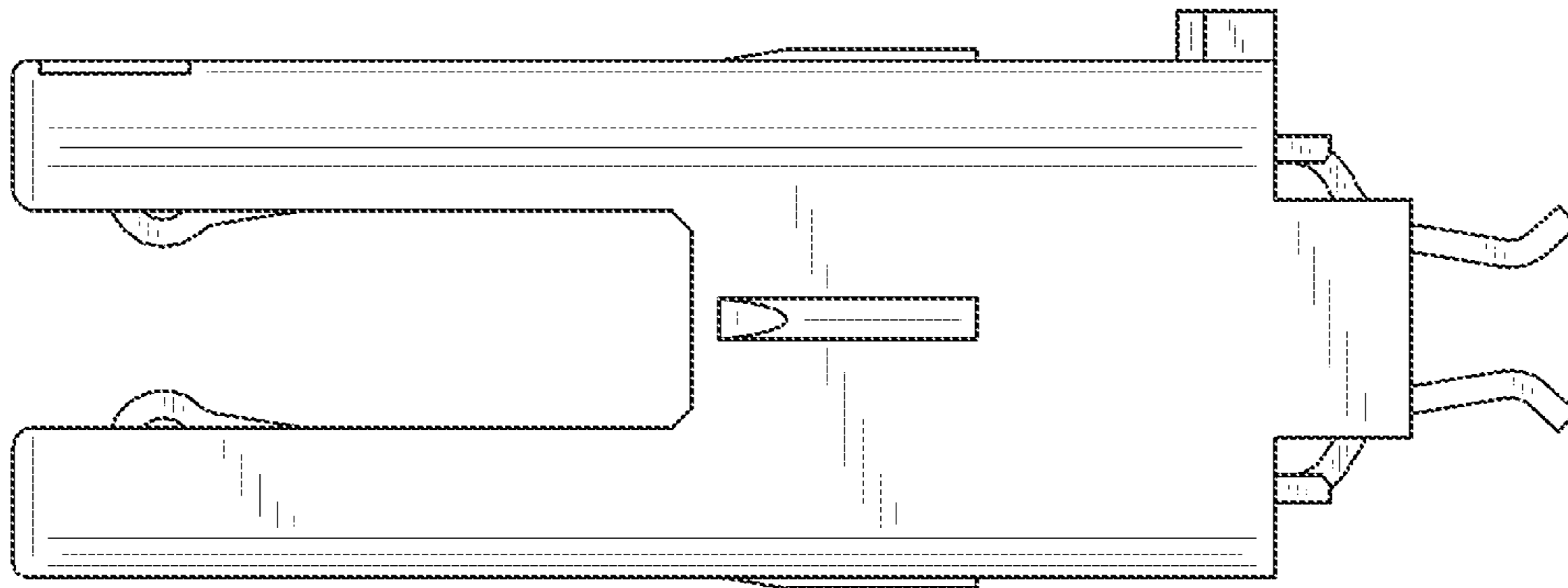


FIG.4

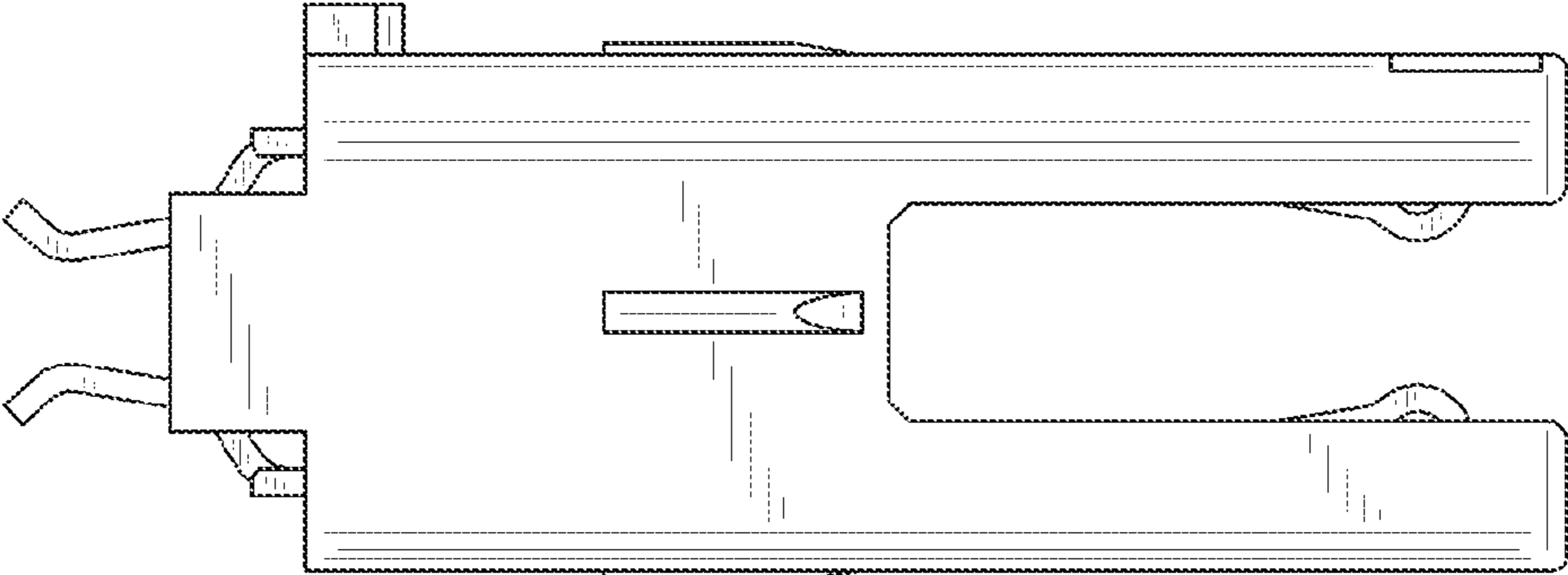


FIG. 5

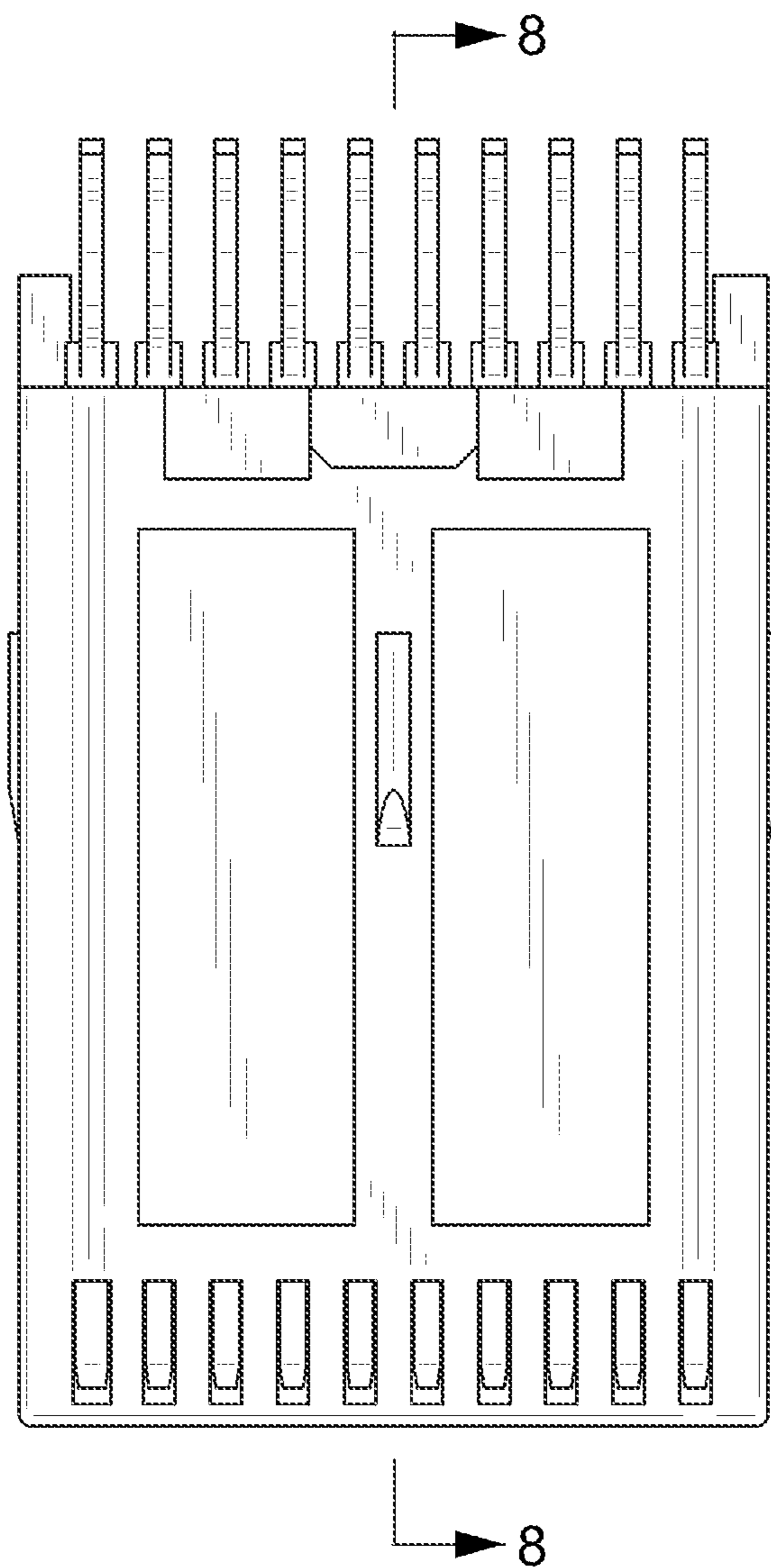


FIG.6

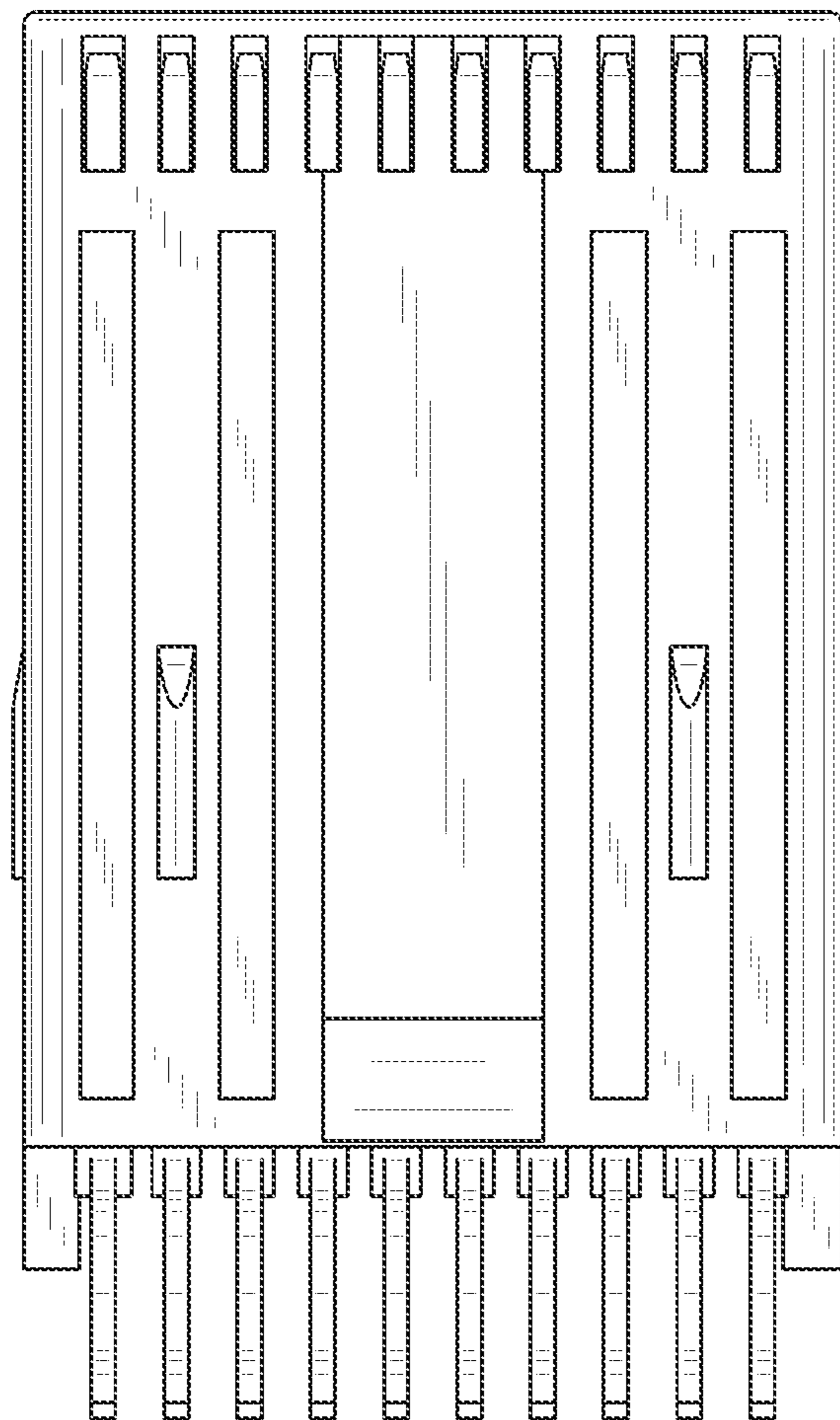


FIG. 7

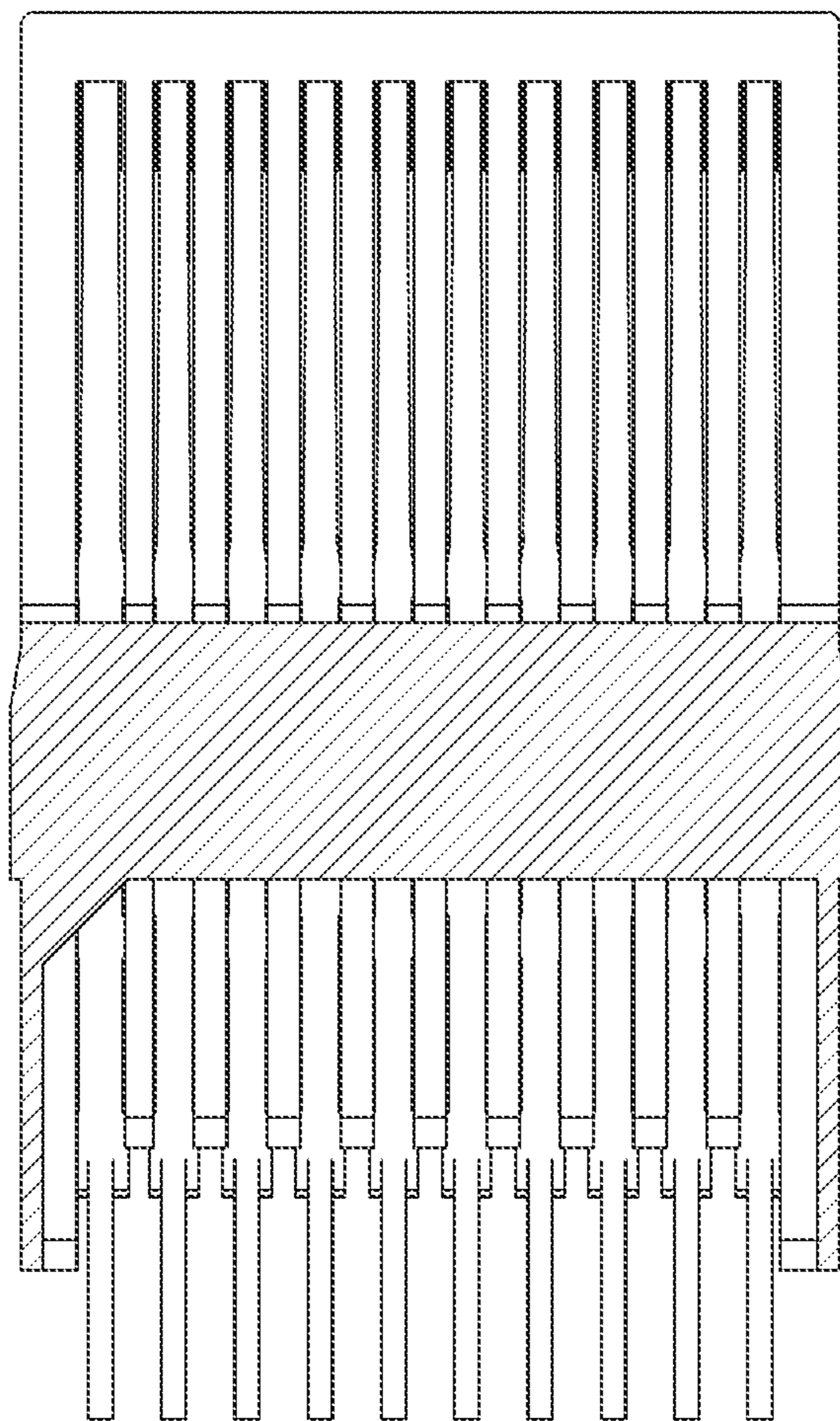


FIG.8

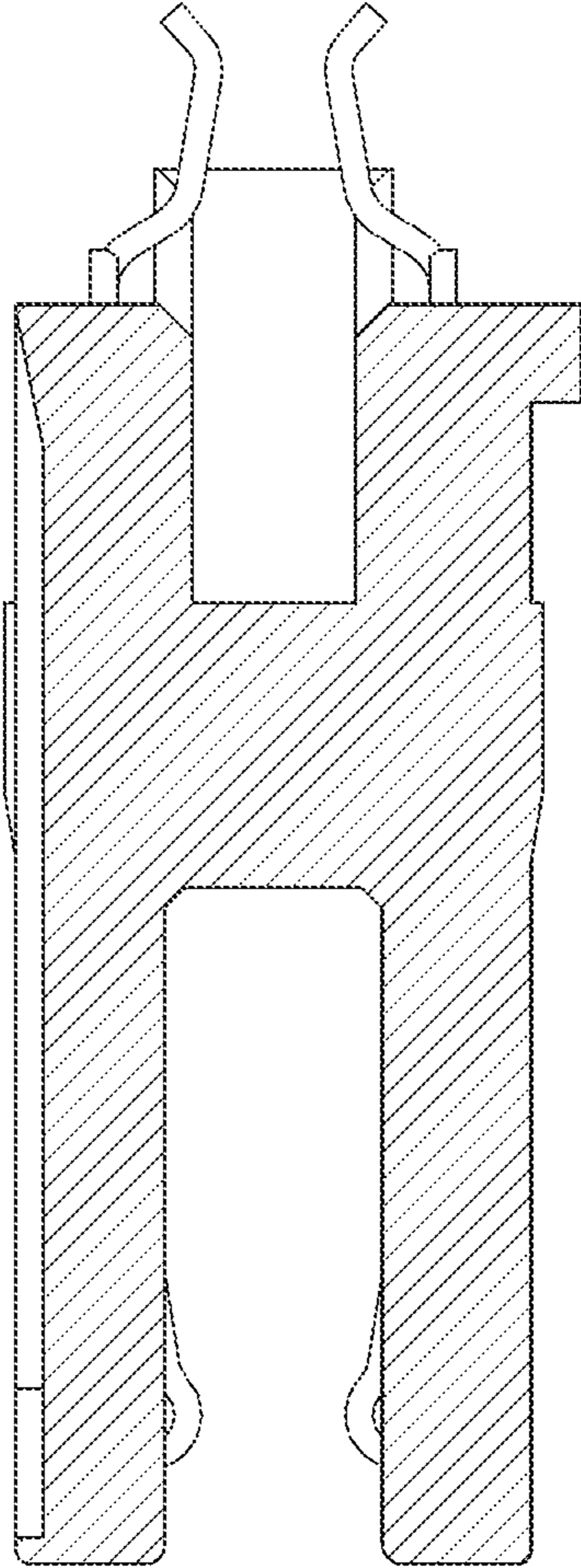


FIG.9

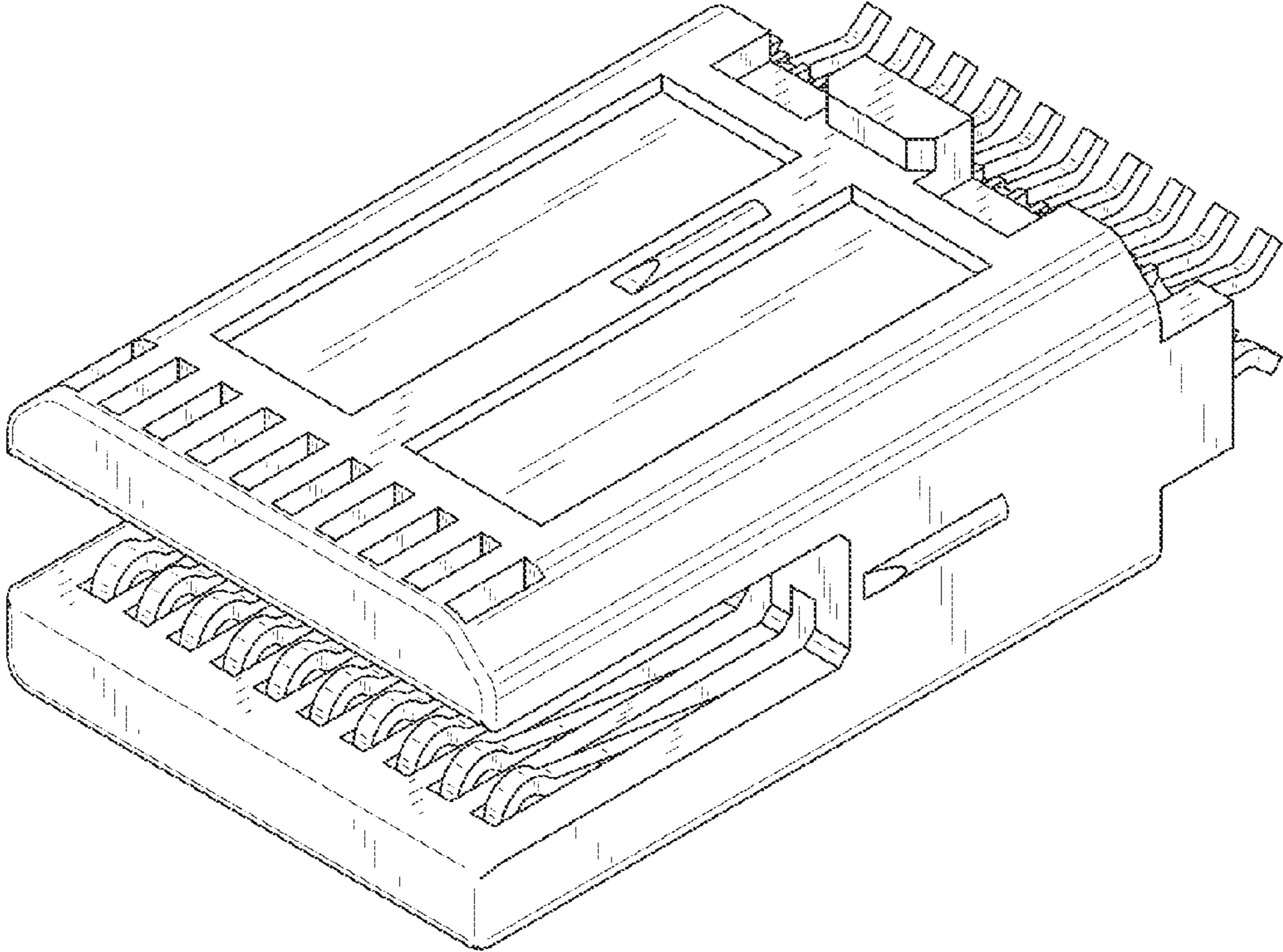


FIG. 10

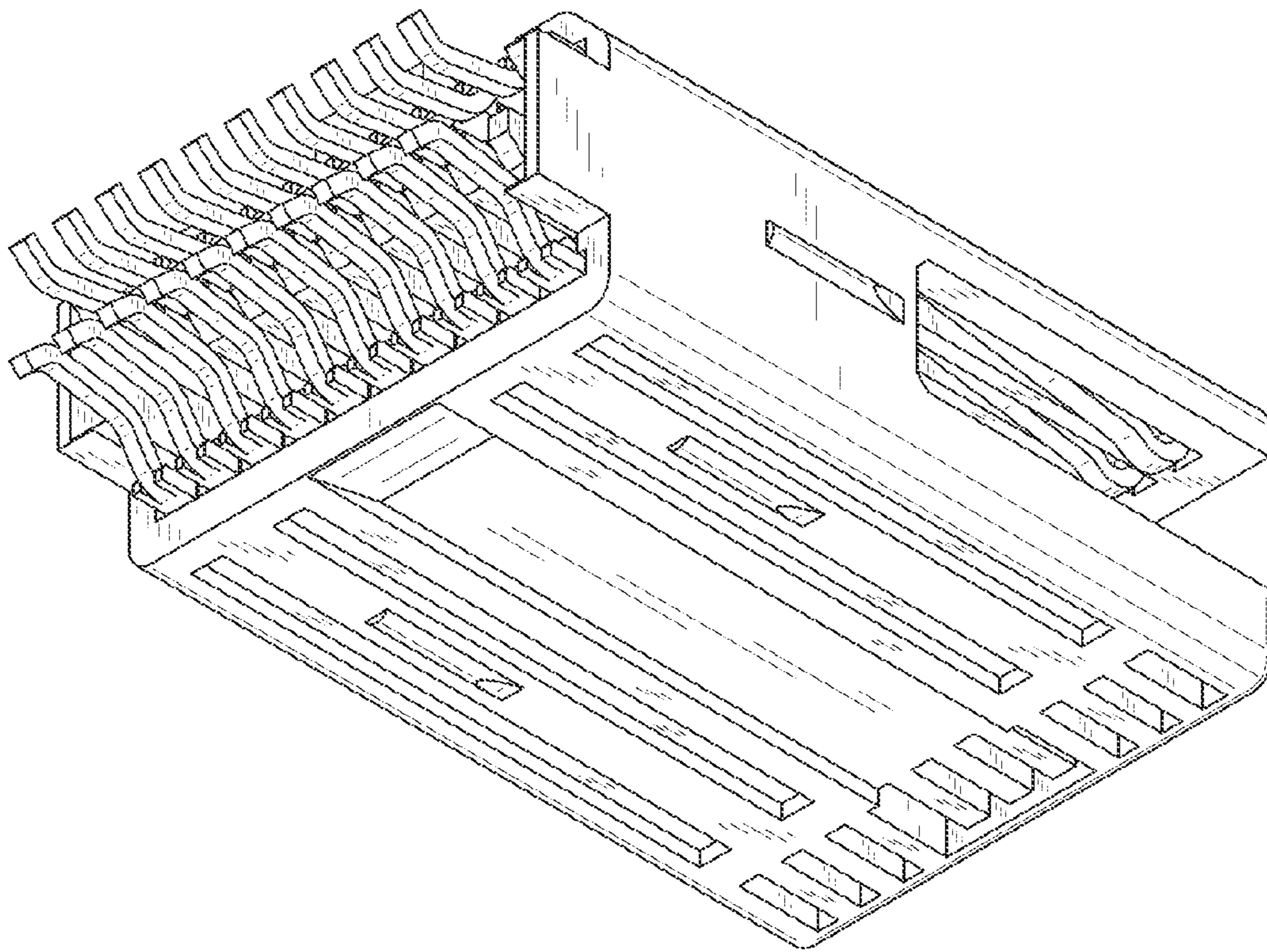


FIG. 11

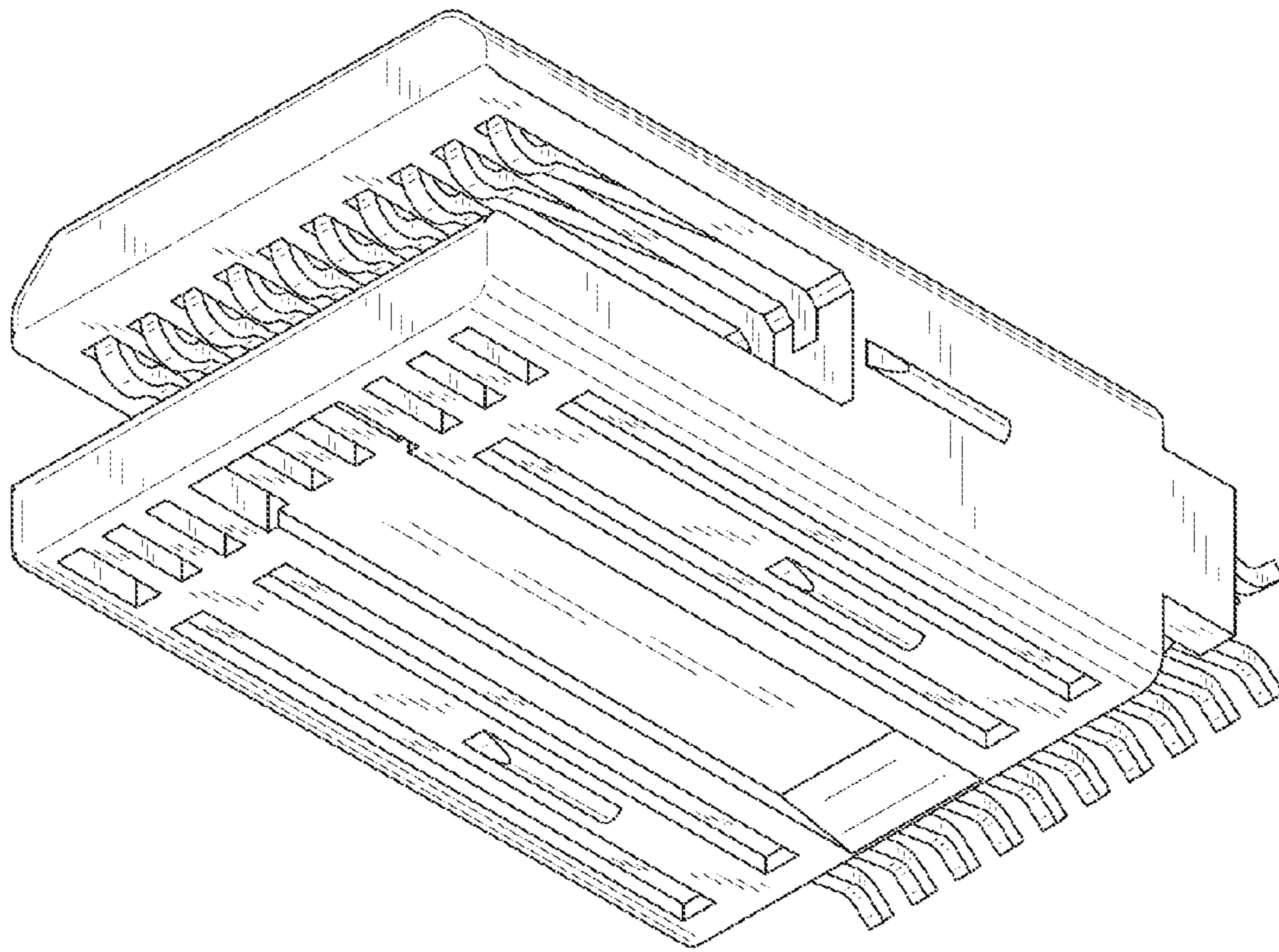


FIG.12

