

US00D709032S

(12) **United States Design Patent**
Akana et al.

(10) **Patent No.:** **US D709,032 S**
(45) **Date of Patent:** **** Jul. 15, 2014**

(54) **ADAPTER**

439/607.34, 607.41, 607.53, 623, 660, 668,
439/677, 678, 680, 682, 874, 883, 887, 892,
439/894

(75) Inventors: **Jody Akana**, San Francisco, CA (US);
Bartley K. Andre, Menlo Park, CA
(US); **Jeremy Bataillou**, San Francisco,
CA (US); **Daniel J. Coster**, San
Francisco, CA (US); **Daniele De Iuliis**,
San Francisco, CA (US); **Evans**
Hankey, San Francisco, CA (US);
Julian Hoenic, San Francisco, CA (US);
Richard P. Howarth, San Francisco, CA
(US); **Jonathan P. Ive**, San Francisco,
CA (US); **Duncan Robert Kerr**, San
Francisco, CA (US); **Matthew Dean**
Rohrbach, San Francisco, CA (US);
Peter Russell-Clarke, San Francisco,
CA (US); **Mikael Silvanto**, San
Francisco, CA (US); **Christopher J.**
Stringer, Woodside, CA (US); **Eugene**
Antony Whang, San Francisco, CA
(US); **Rico Zorkendorfer**, San
Francisco, CA (US)

See application file for complete search history.

(56) **References Cited**

U.S. PATENT DOCUMENTS

D304,028 S	10/1989	Matsuzaki	
D363,700 S *	10/1995	Buongervino et al.	D13/147
D399,047 S	10/1998	Yoshida et al.	
D436,927 S *	1/2001	Hogan	D13/153
7,094,089 B2	8/2006	Andre et al.	
D552,604 S	10/2007	Andre et al.	
D600,652 S *	9/2009	Hong et al.	D13/154
D619,963 S *	7/2010	Hou	D13/133
D621,785 S	8/2010	Nickol	
D636,337 S *	4/2011	Smith et al.	D13/147

(Continued)

Primary Examiner — Daniel Bui

(74) *Attorney, Agent, or Firm* — SAIDMAN Designlaw Group

(73) Assignee: **Apple Inc.**, Cupertino, CA (US)

(**) Term: **14 Years**

(21) Appl. No.: **29/424,270**

(22) Filed: **Jun. 10, 2012**

(51) **LOC (10) Cl.** **13-03**

(52) **U.S. Cl.**
USPC **D13/147**

(58) **Field of Classification Search**
USPC D13/133, 146, 147, 153, 154, 156, 157,
D13/184, 199; D14/432, 433, 435, 435.1,
D14/438; 345/156; 361/58, 814; 439/38-40,
439/66, 74, 77, 79, 129-130, 135, 146,
439/149-150, 176-177, 180, 188, 217-218,
439/225, 246, 252, 278-279, 290-291, 329,
439/344-346, 350-353, 357-358, 374, 378,
439/381, 476.1, 607.01, 607.04, 607.5,
439/607.6, 607.17, 607.21, 607.23, 607.25,

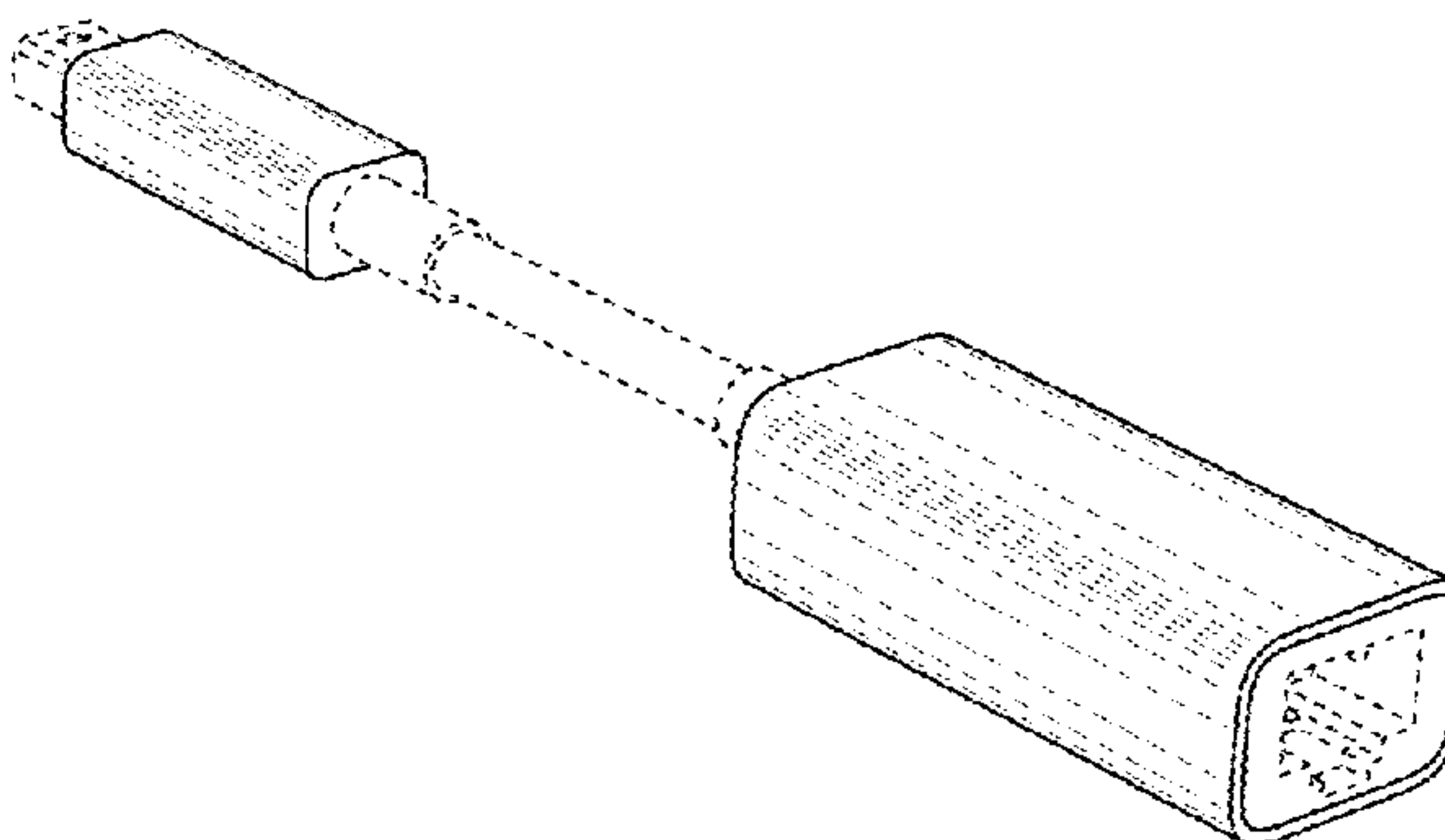
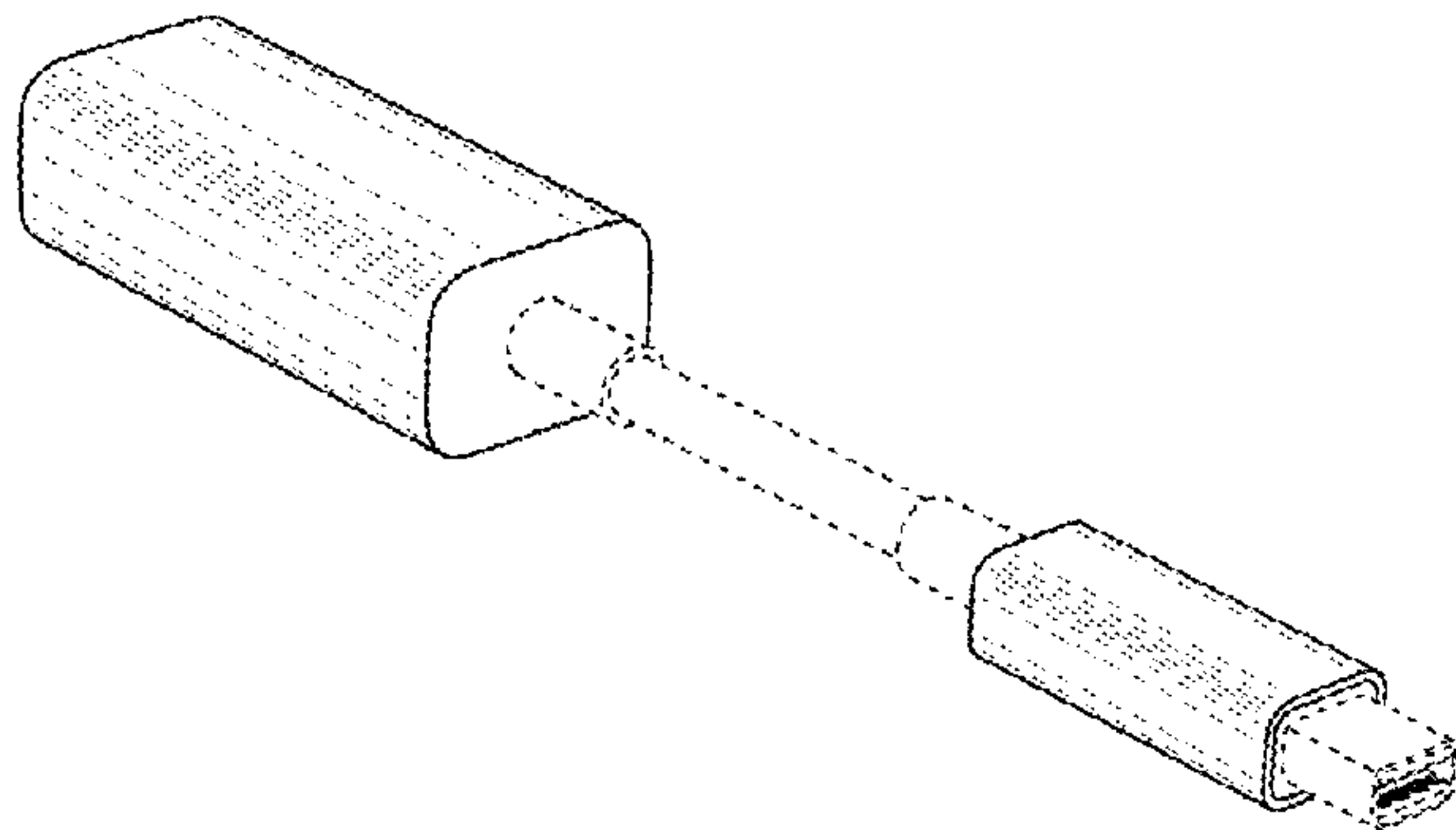
(57) **CLAIM**

The ornamental design for an adapter, as shown and described.

DESCRIPTION

FIG. 1 is a front perspective view of an adapter showing our new design;
FIG. 2 is a rear perspective view thereof;
FIG. 3 is a front view thereof;
FIG. 4 is a rear view thereof;
FIG. 5 is a top view thereof;
FIG. 6 is a bottom view thereof; and,
FIG. 7 is left side view thereof, the right side view being a mirror image thereof.
The broken lines illustrate environmental structure and form no part of the claimed design.
The relatively light shade lines on the surface portions indicate contour and not surface decoration.

1 Claim, 2 Drawing Sheets



(56)

References Cited

U.S. PATENT DOCUMENTS

D683,703 S 6/2013 Akana et al.
D684,538 S 6/2013 Akana et al.
8,454,388 B2 6/2013 Song

D692,390 S * 10/2013 Smith et al. D13/153
D699,188 S 2/2014 Akana et al.
2007/0229025 A1 10/2007 Tsai et al.
2011/0199729 A1 8/2011 Hsieh

* cited by examiner

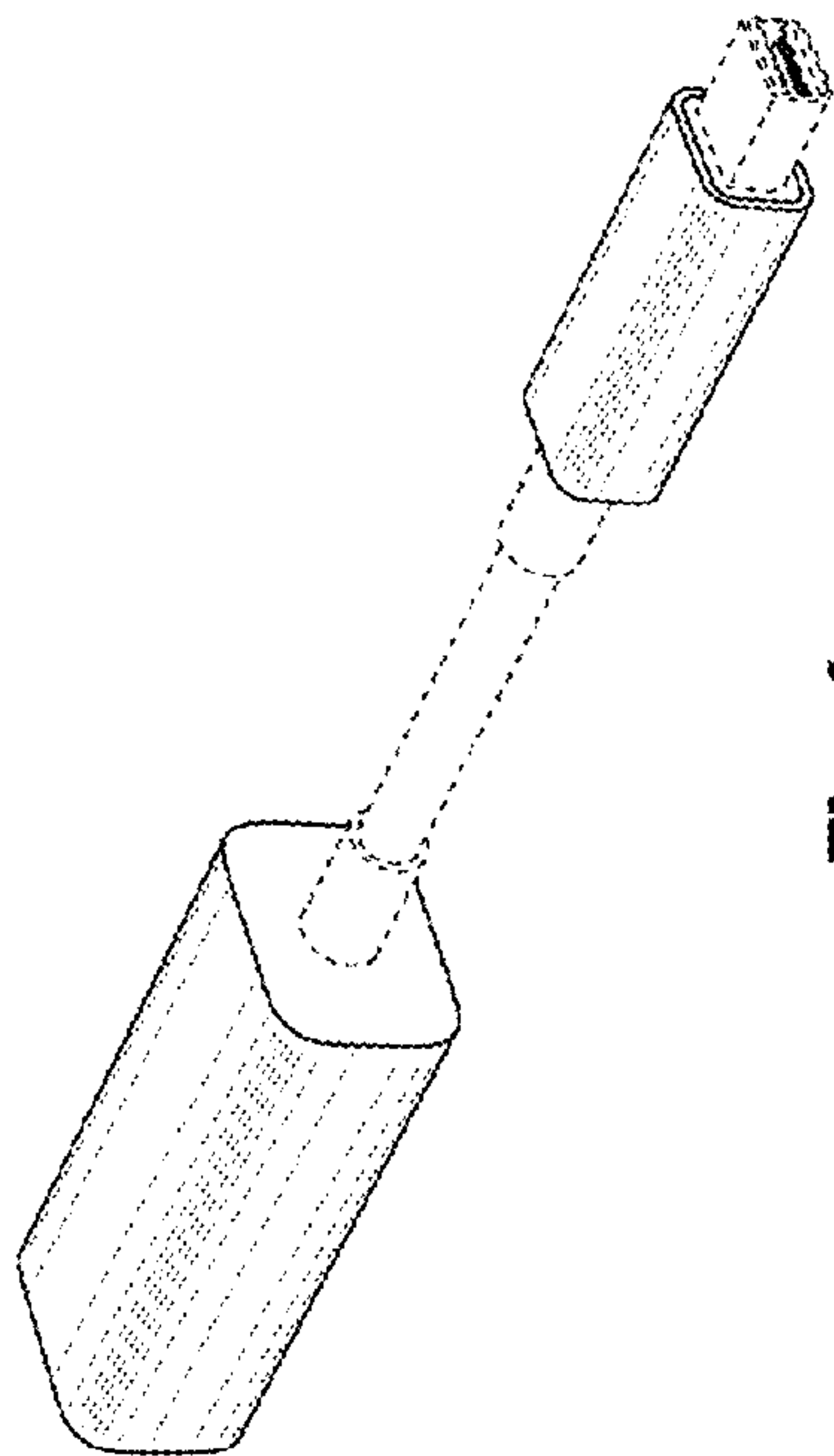


Fig. 1

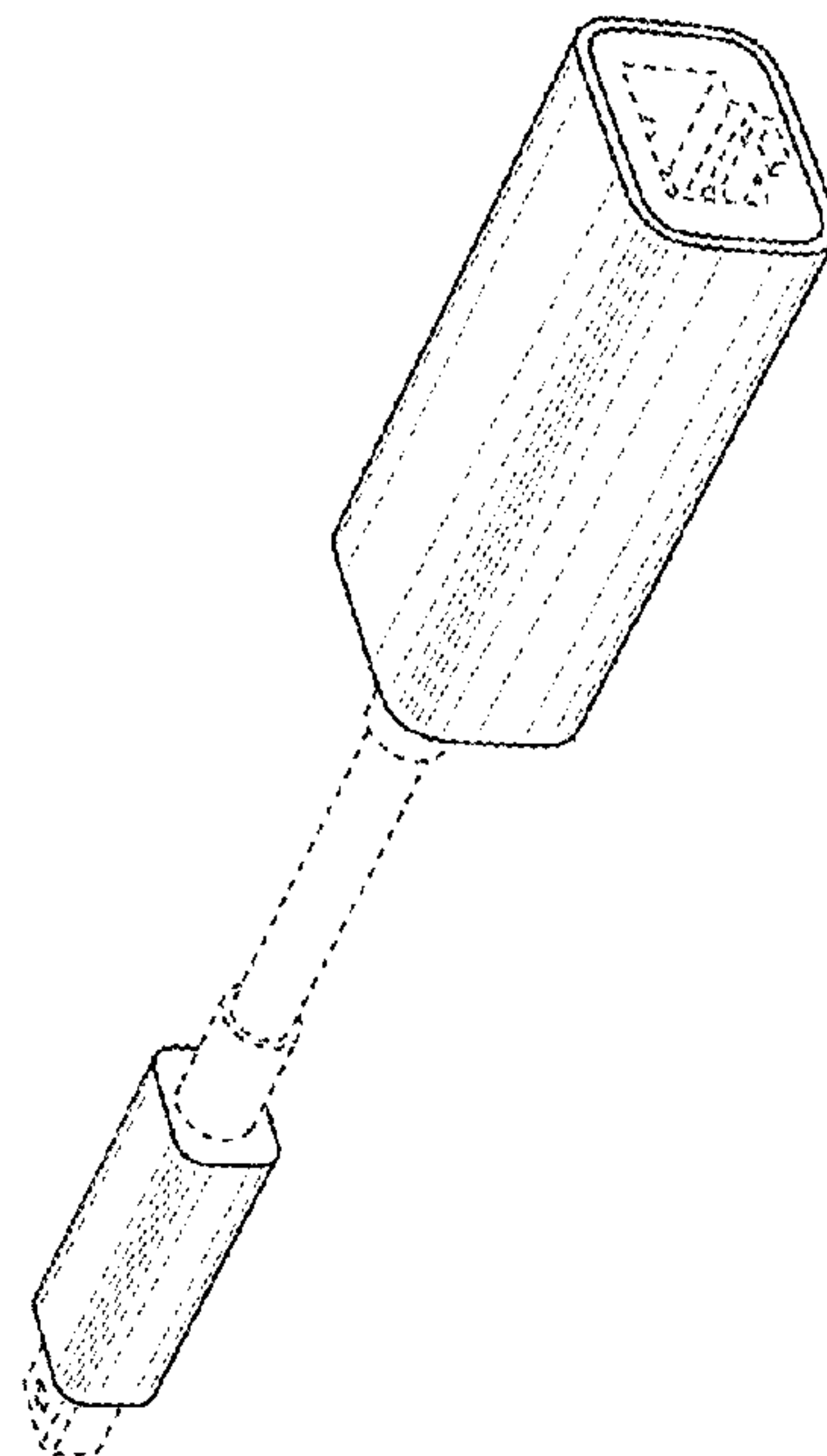


Fig. 2

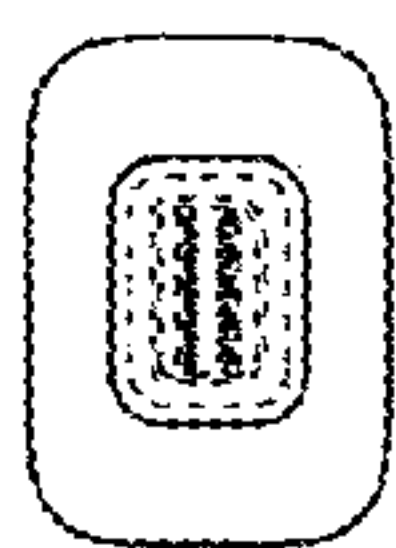


Fig. 3

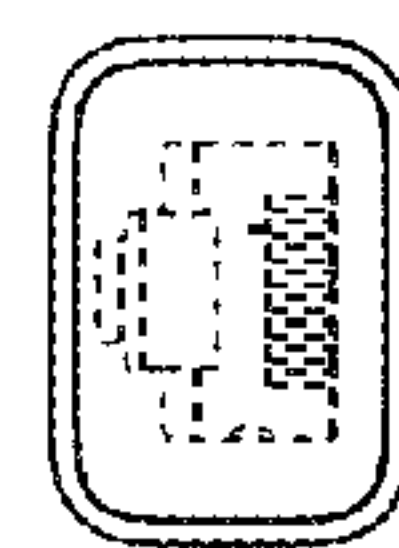


Fig. 4

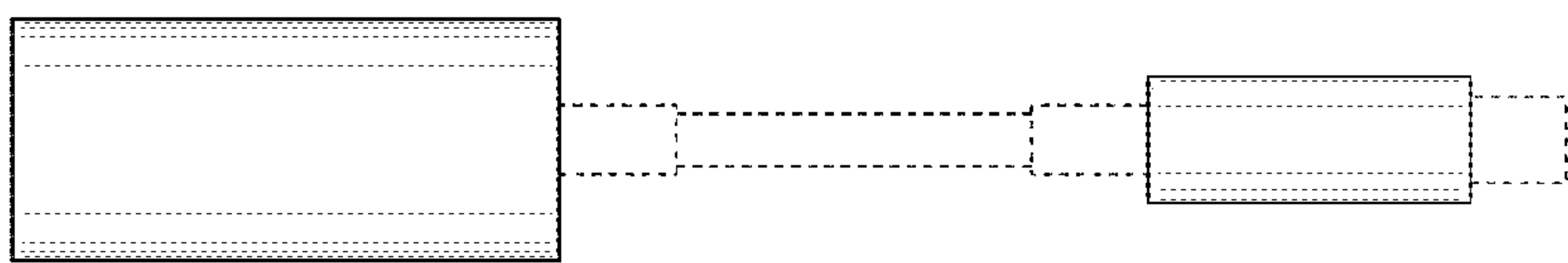


Fig. 5

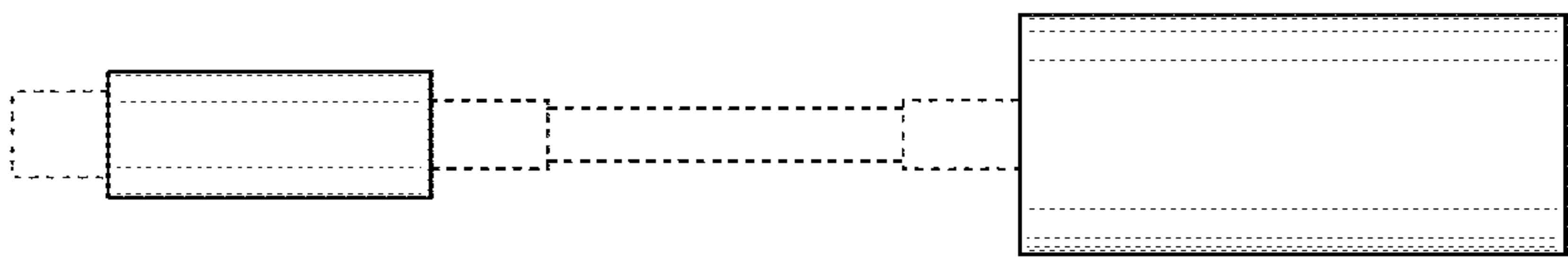


Fig. 6

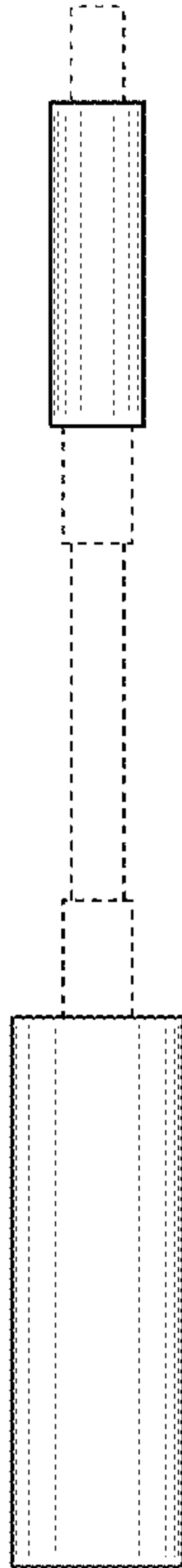


Fig. 7

UNITED STATES PATENT AND TRADEMARK OFFICE
CERTIFICATE OF CORRECTION

PATENT NO. : D709,032 S
APPLICATION NO. : 29/424270
DATED : July 15, 2014
INVENTOR(S) : Akana et al.

Page 1 of 5

It is certified that error appears in the above-identified patent and that said Letters Patent is hereby corrected as shown below:

Please delete in its entirety Patent No. D709,032 S and insert in its entirety Patent No. D709,032 S as shown on the attached sheets.

Signed and Sealed this
Tenth Day of October, 2017



Joseph Matal
*Performing the Functions and Duties of the
Under Secretary of Commerce for Intellectual Property and
Director of the United States Patent and Trademark Office*

(12) **United States Design Patent** (10) **Patent No.:** **US D709,032 S**
Akana et al. (45) **Date of Patent:** **** Jul. 15, 2014**

(54) **ADAPTER**

(75) **Inventors:** **Jody Akana**, San Francisco, CA (US); **Bartley K. Andre**, Menlo Park, CA (US); **Jeremy Bataillon**, San Francisco, CA (US); **Daniel J. Coster**, San Francisco, CA (US); **Daniele De Iuliis**, San Francisco, CA (US); **Evans Hankey**, San Francisco, CA (US); **Julian Hoenig**, San Francisco, CA (US); **Richard P. Howarth**, San Francisco, CA (US); **Jonathan P. Ive**, San Francisco, CA (US); **Duncan Robert Kerr**, San Francisco, CA (US); **Matthew Dean Rohrbach**, San Francisco, CA (US); **Peter Russell-Clarke**, San Francisco, CA (US); **Mikael Silvanto**, San Francisco, CA (US); **Christopher J. Stringer**, Woodside, CA (US); **Eugene Antony Whang**, San Francisco, CA (US); **Rico Zorkendorfer**, San Francisco, CA (US)

(73) **Assignee:** **Apple Inc.**, Cupertino, CA (US)

(**) **Term:** **14 Years**

(21) **Appl. No.:** **29/424,270**

(22) **Filed:** **Jun. 10, 2012**

(51) **LOC (10) Cl.** **13-03**

(52) **U.S. Cl.**
USPC **D13/147**

(58) **Field of Classification Search**
USPC **D13/133, 146, 147, 153, 154, 156, 157, 184, 199; D14/432, 433, 435, 435.1, 438; 345/156; 361/58, 814; 439/38-40, 66, 74, 77, 79, 129-130, 135, 146, 149-150, 176-177, 180, 188, 217-218, 225, 246, 252, 278-279, 290-291, 329, 344-346, 350-353, 357-358, 374, 378, 381, 476.1,**

439/607.01, 607.04, 607.5, 607.6, 607.17, 439/607.21, 607.23, 607.25, 607.34, 439/607.41, 607.53, 623, 660, 668, 677, 439/678, 680, 682, 874, 883, 887, 892, 439/894

See application file for complete search history.

(56) **References Cited**

U.S. PATENT DOCUMENTS

D304.028 S	10/1989	Matsuzaki	
D363.700 S *	10/1995	Buongervino et al.	D13/147
D399.047 S	10/1998	Yoshida et al.	
D436.927 S *	1/2001	Hogan	D13/153
7,094,089 B2	8/2006	Andre et al.	

(Continued)

Primary Examiner — Daniel Bui

(74) *Attorney, Agent, or Firm* — SAIDMAN Designlaw Group

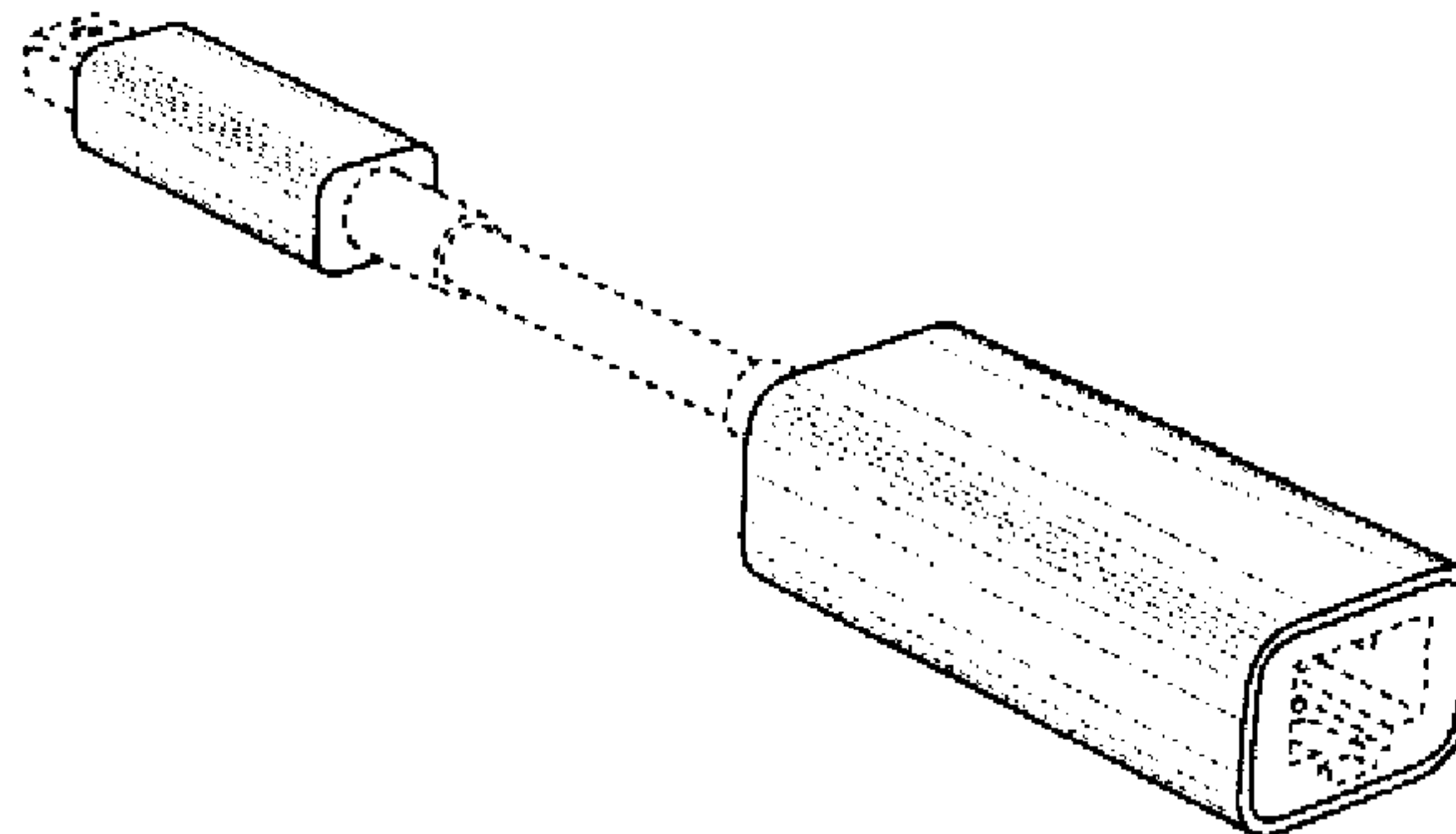
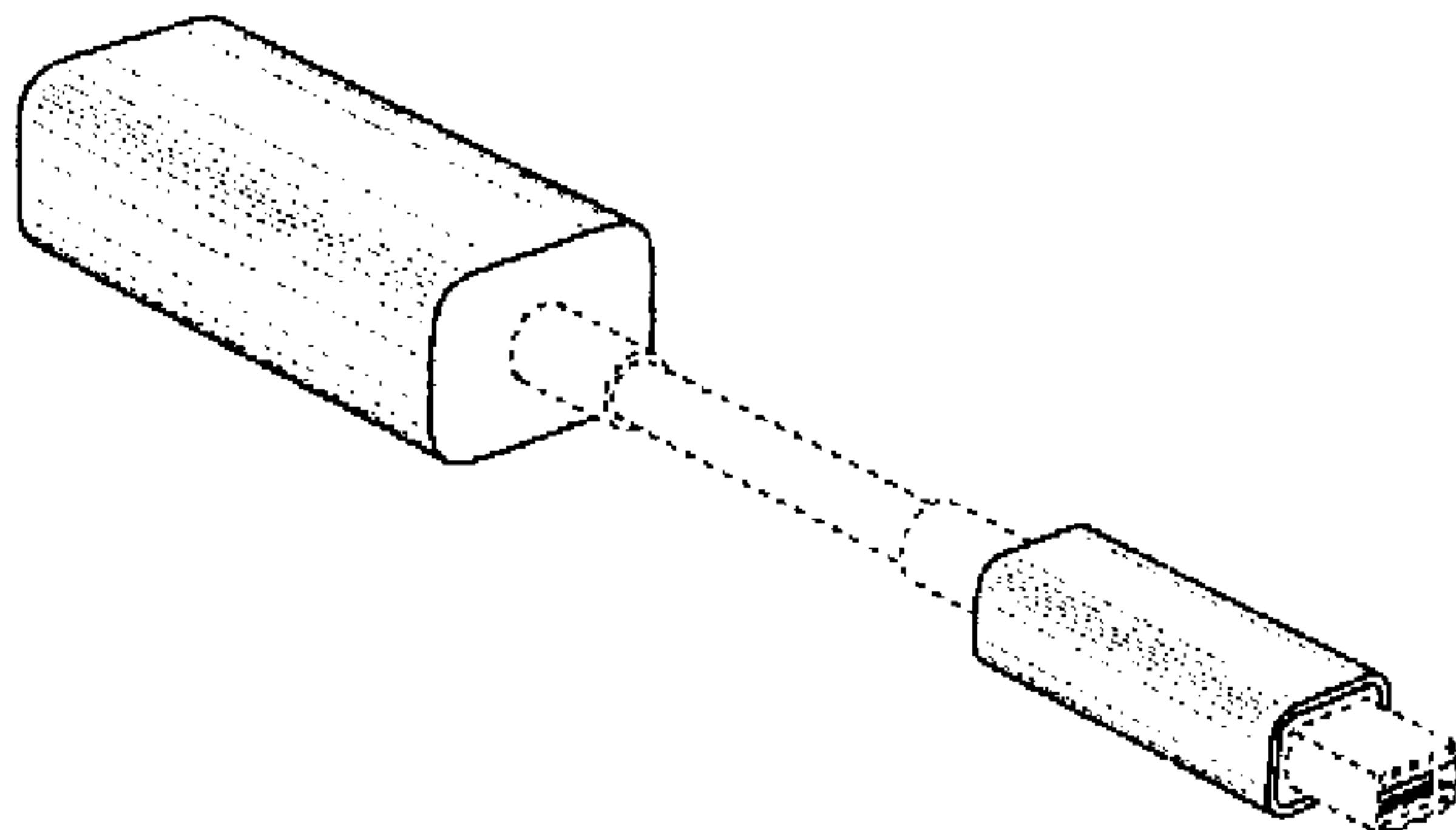
(57) **CLAIM**

The ornamental design for an adapter, as shown and described.

DESCRIPTION

FIG. 1 is a front perspective view of an adapter showing our new design;
 FIG. 2 is a rear perspective view thereof;
 FIG. 3 is a front view thereof;
 FIG. 4 is a rear view thereof;
 FIG. 5 is a top view thereof;
 FIG. 6 is a bottom view thereof; and,
 FIG. 7 is left side view thereof, the right side view being a mirror image thereof.
 The broken lines illustrate environmental structure and form no part of the claimed design.
 The relatively light shade lines on the surface portions indicate contour and not surface decoration.

1 Claim, 2 Drawing Sheets



US D709,032 S

Page 2

(56)

References Cited

U.S. PATENT DOCUMENTS

D552,604 S	10/2007	Andre et al.		D683,703 S	6/2013	Akana et al.	
D600,652 S *	9/2009	Hong et al.	D13/154	D684,538 S	6/2013	Akana et al.	
D619,963 S *	7/2010	Hou	D13/133	8,454,388 B2	6/2013	Song	
D621,785 S	8/2010	Nickol		D692,390 S *	10/2013	Smith et al.	D13/153
D636,337 S *	4/2011	Smith et al.	D13/147	D699,188 S	2/2014	Akana et al.	
				2007/0229025 A1	10/2007	Tsai et al.	
				2011/0199729 A1	8/2011	Hsieh	

* cited by examiner

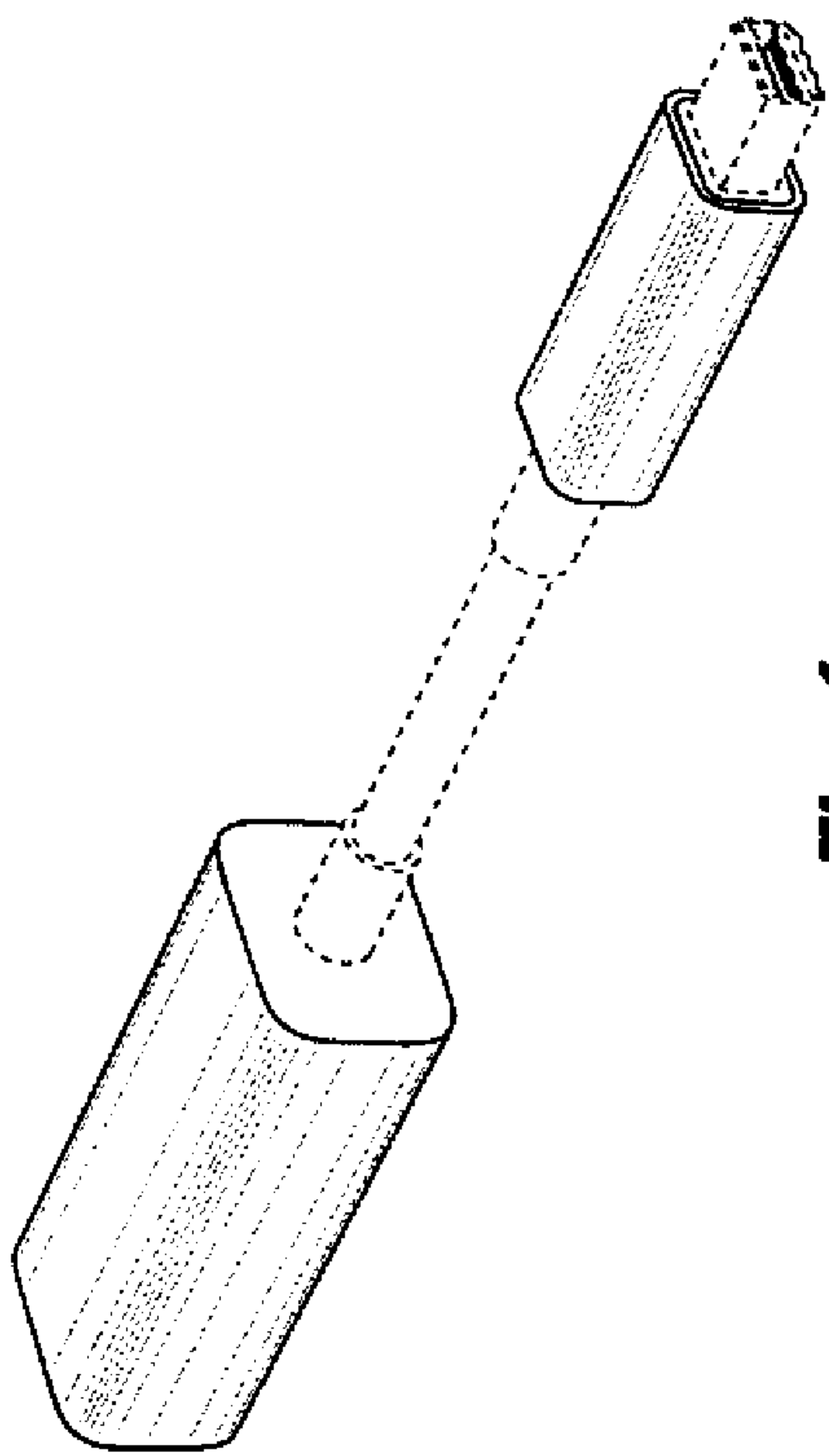


Fig. 1

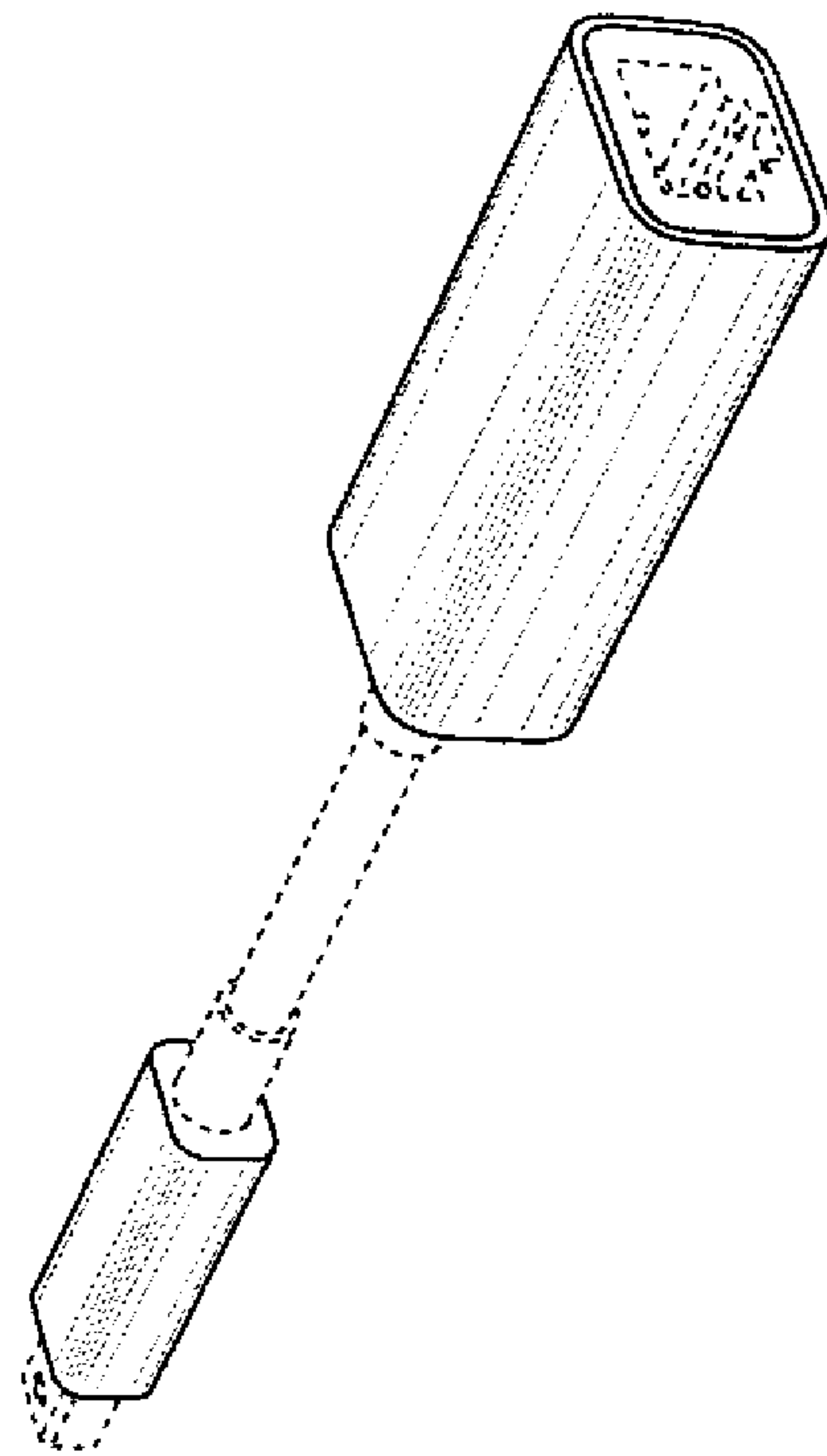


Fig. 2

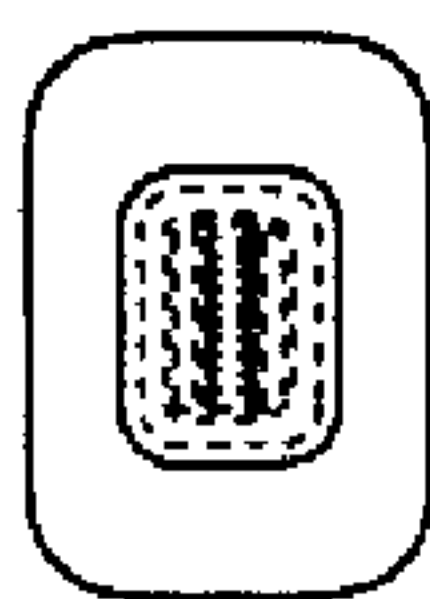


Fig. 3

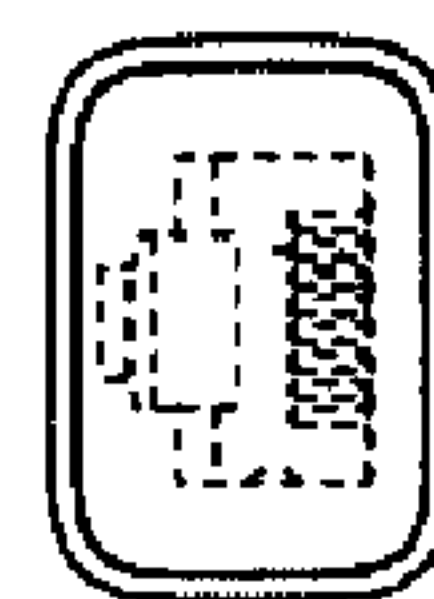


Fig. 4

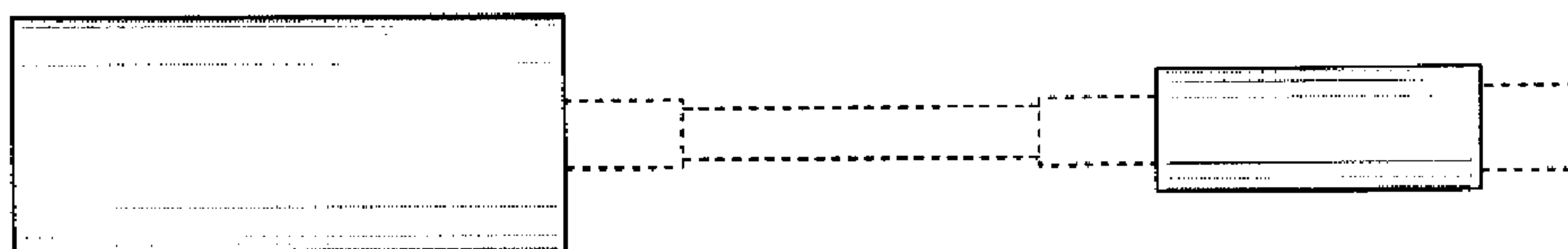


Fig. 5

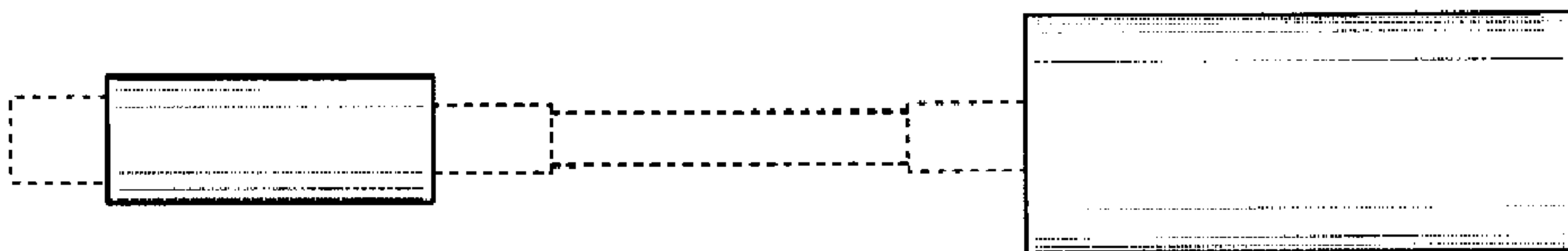


Fig. 6

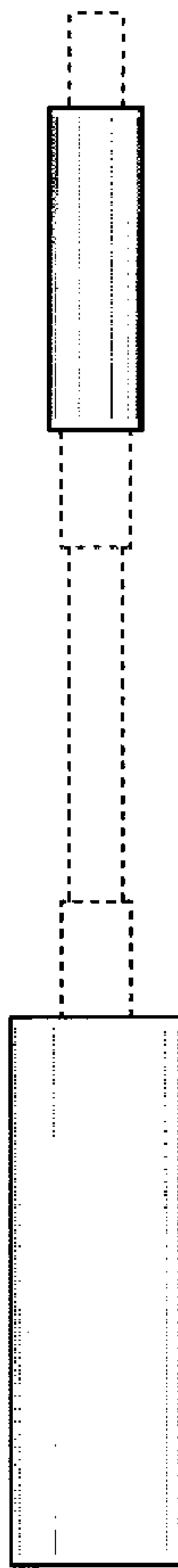


Fig. 7