



US00D709031S

(12) **United States Design Patent**
Byrne et al.

(10) **Patent No.:** **US D709,031 S**
(45) **Date of Patent:** **** Jul. 15, 2014**

(54) **POWER TAP WITH LOW VOLTAGE
CORDLESS CAPABILITY**

(71) Applicants: **Norman R. Byrne**, Ada, MI (US);
Daniel P. Byrne, Lowell, MI (US);
Timothy J. Warwick, Sparta, MI (US)

(72) Inventors: **Norman R. Byrne**, Ada, MI (US);
Daniel P. Byrne, Lowell, MI (US);
Timothy J. Warwick, Sparta, MI (US)

(**) Term: **14 Years**

(21) Appl. No.: **29/439,798**

(22) Filed: **Dec. 14, 2012**

Related U.S. Application Data

(63) Continuation-in-part of application No. 13/385,008,
filed on Jan. 27, 2012, which is a continuation of
application No. 13/159,070, filed on Jun. 13, 2011,
now abandoned.

(51) **LOC (10) Cl.** **13-03**

(52) **U.S. Cl.**
USPC **D13/139.4**

(58) **Field of Classification Search**
USPC D13/107, 109, 110, 112, 114, 130, 132,
D13/137, 137.1, 137.2, 137.3, 137.4, 138.1,
D13/139.1, 139.2, 139.4, 139.5, 139.7,
D13/139.8, 146, 147, 152, 160, 161, 164,
D13/199

See application file for complete search history.

(56) **References Cited**

U.S. PATENT DOCUMENTS

4,984,982 A 1/1991 Brownlie et al.
D454,541 S * 3/2002 Gershfeld D13/139.4
D467,230 S 12/2002 Byrne
D472,213 S * 3/2003 Byrne D13/139.4
D498,211 S * 11/2004 Thibault D13/155
D526,961 S * 8/2006 Kissinger et al. D13/139.4
D535,257 S * 1/2007 Byrne D13/139.4
D537,039 S * 2/2007 Pincek D13/139.4
D626,069 S * 10/2010 Byrne D13/139.4

D626,070 S * 10/2010 Byrne D13/139.4
D639,244 S * 6/2011 Byrne D13/139.4
D649,514 S * 11/2011 Byrne D13/139.4
D660,237 S * 5/2012 Byrne D13/139.4
D665,355 S * 8/2012 Byrne D13/139.4
D666,556 S * 9/2012 Byrne D13/139.4
8,287,292 B2 10/2012 Byrne
8,295,036 B2 10/2012 Byrne
D685,329 S 7/2013 Byrne et al.
2004/0026998 A1 2/2004 Henriott et al.
2008/0200050 A1 8/2008 Byrne
2009/0096413 A1 4/2009 Partovi et al.
2009/0142947 A1 6/2009 Byrne
2012/0200989 A1 8/2012 Byrne et al.

FOREIGN PATENT DOCUMENTS

WO W02011156814 A1 6/2011

OTHER PUBLICATIONS

http://www.d-4.co.za/pivot_range_in_desk_electrical_outlet.html.*

http://www.alibaba.com/product-gs/516126812/Network_and_AC_power_table_outlet.ht . . . *

International Search Report and Written Opinion of the International Searching Authority for International Application PCT/US2011/040207, dated Oct. 3, 2011.

* cited by examiner

Primary Examiner — Robert M Spear

Assistant Examiner — Rhea Shields

(74) *Attorney, Agent, or Firm* — Gardner, Linn, Burkhardt & Flory, LLP

(57) **CLAIM**

The ornamental design for a power tap with low voltage cordless capability, as shown and described.

DESCRIPTION

FIG. 1 is a front perspective view of the power tap with low voltage cordless capability showing our new design mounted in an operating environment and with its door shown in a closed position;

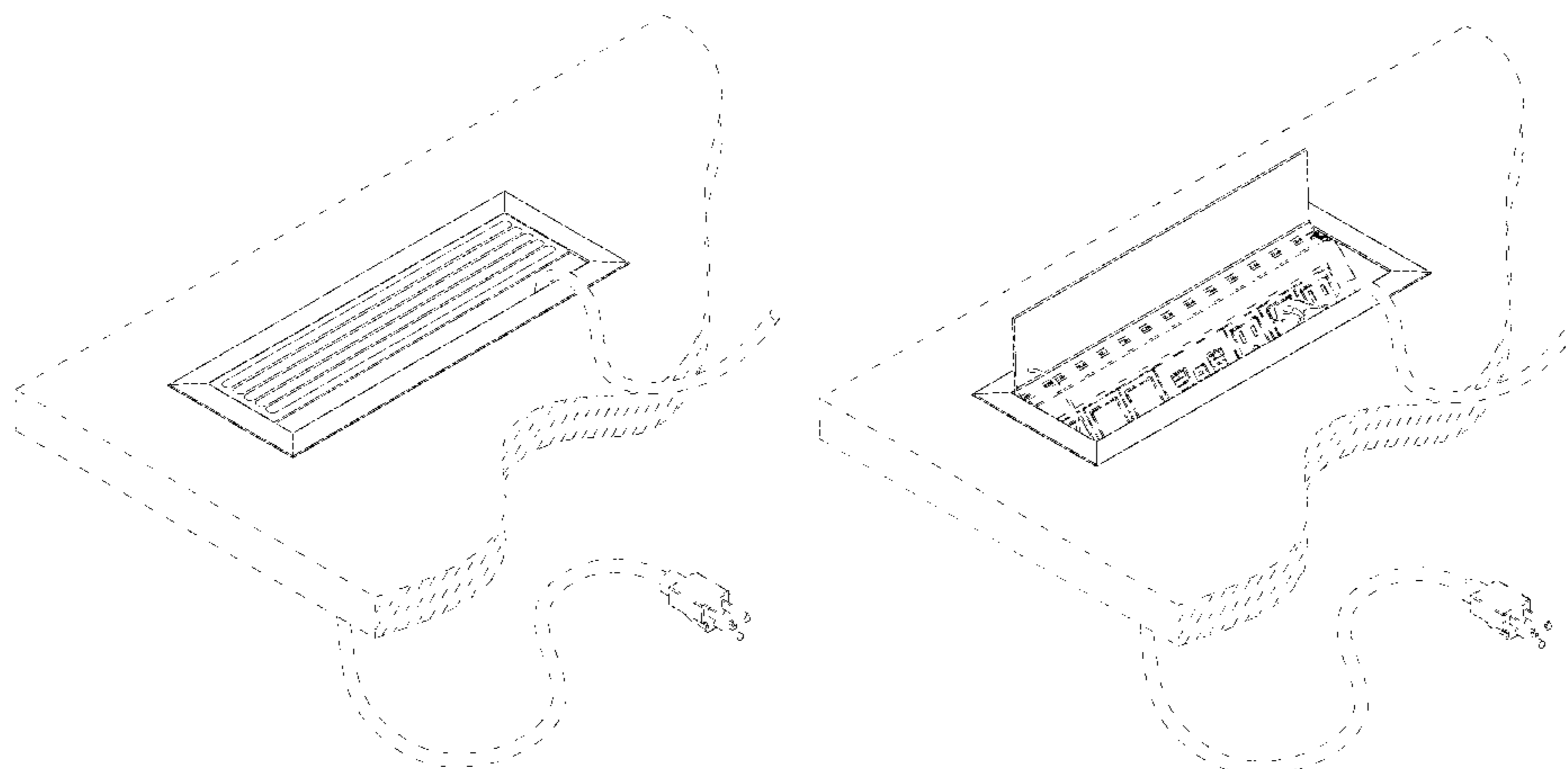


FIG. 2 is another front perspective view of the power tap with low voltage cordless capability of FIG. 1, shown in the operating environment and with its door shown in an open position;

FIG. 3 is a rear perspective view of the power tap with low voltage cordless capability of FIG. 2;

FIG. 4 is a front perspective view of the power tap with low voltage cordless capability of FIG. 2;

FIG. 5 is a rear elevation of the power tap with low voltage cordless capability of FIG. 2;

FIG. 6 is a front elevation of the power tap with low voltage cordless capability of FIG. 2;

FIG. 7 is a left side elevation of the power tap with low voltage cordless capability of FIG. 2;

FIG. 8 is a right side elevation of the power tap with low voltage cordless capability of FIG. 2;

FIG. 9 is a top plan view of the power tap with low voltage cordless capability of FIG. 2;

FIG. 10 is a rear elevation of the power tap with low voltage cordless capability of FIG. 1;

FIG. 11 is a front elevation of the power tap with low voltage cordless capability of FIG. 1;

FIG. 12 is a left side elevation of the power tap with low voltage cordless capability of FIG. 1;

FIG. 13 is a right side elevation of the power tap with low voltage cordless capability of FIG. 1;

FIG. 14 is a top plan view of the power tap with low voltage cordless capability of FIG. 1; and,

FIG. 15 is a front perspective view of the power tap with low voltage cordless capability of FIG. 1.

The broken lines are included for the purpose of illustrating portions of the power tap with low voltage cordless capability that form no part of the claimed design.

1 Claim, 8 Drawing Sheets

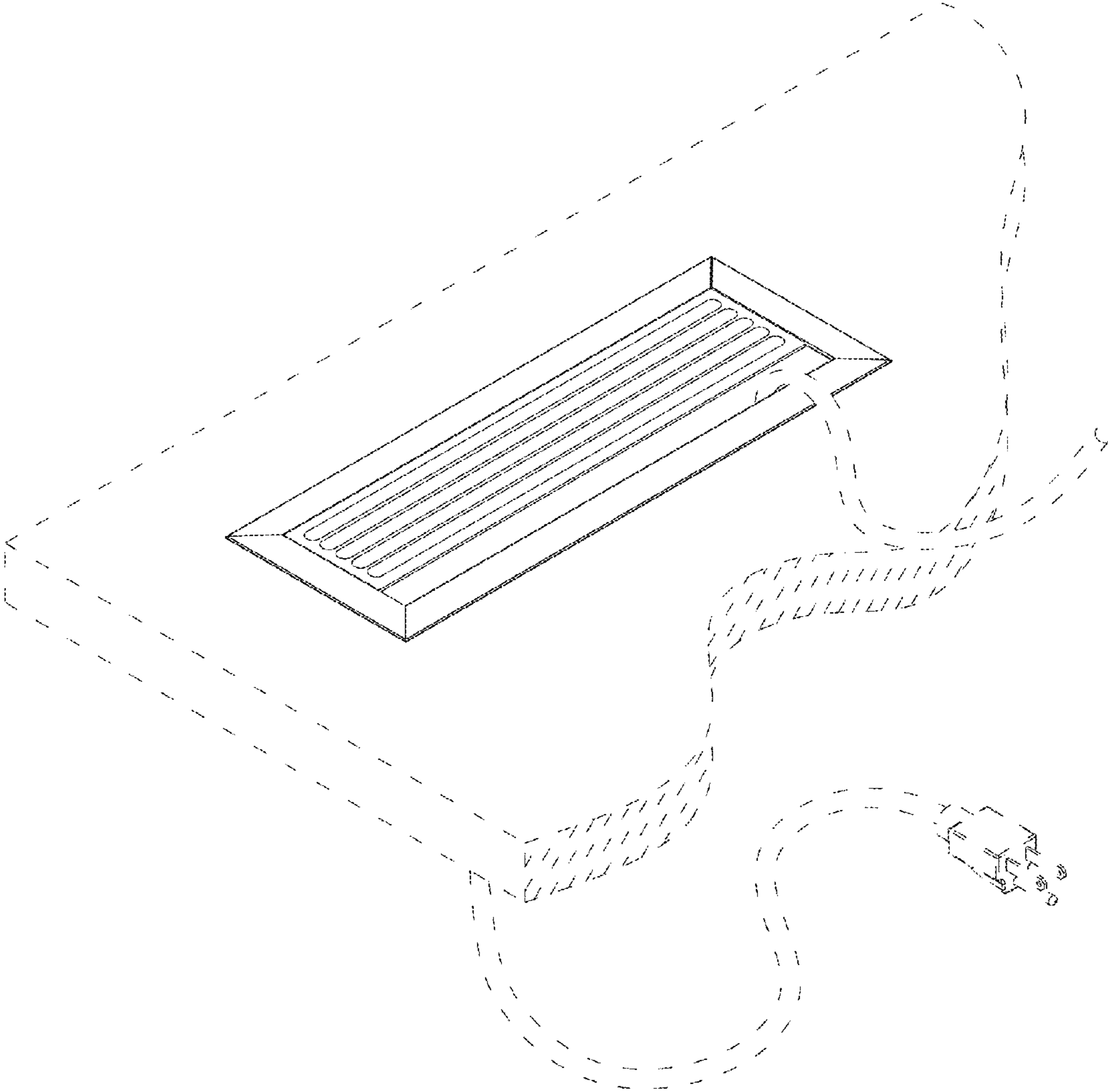


Fig. 1

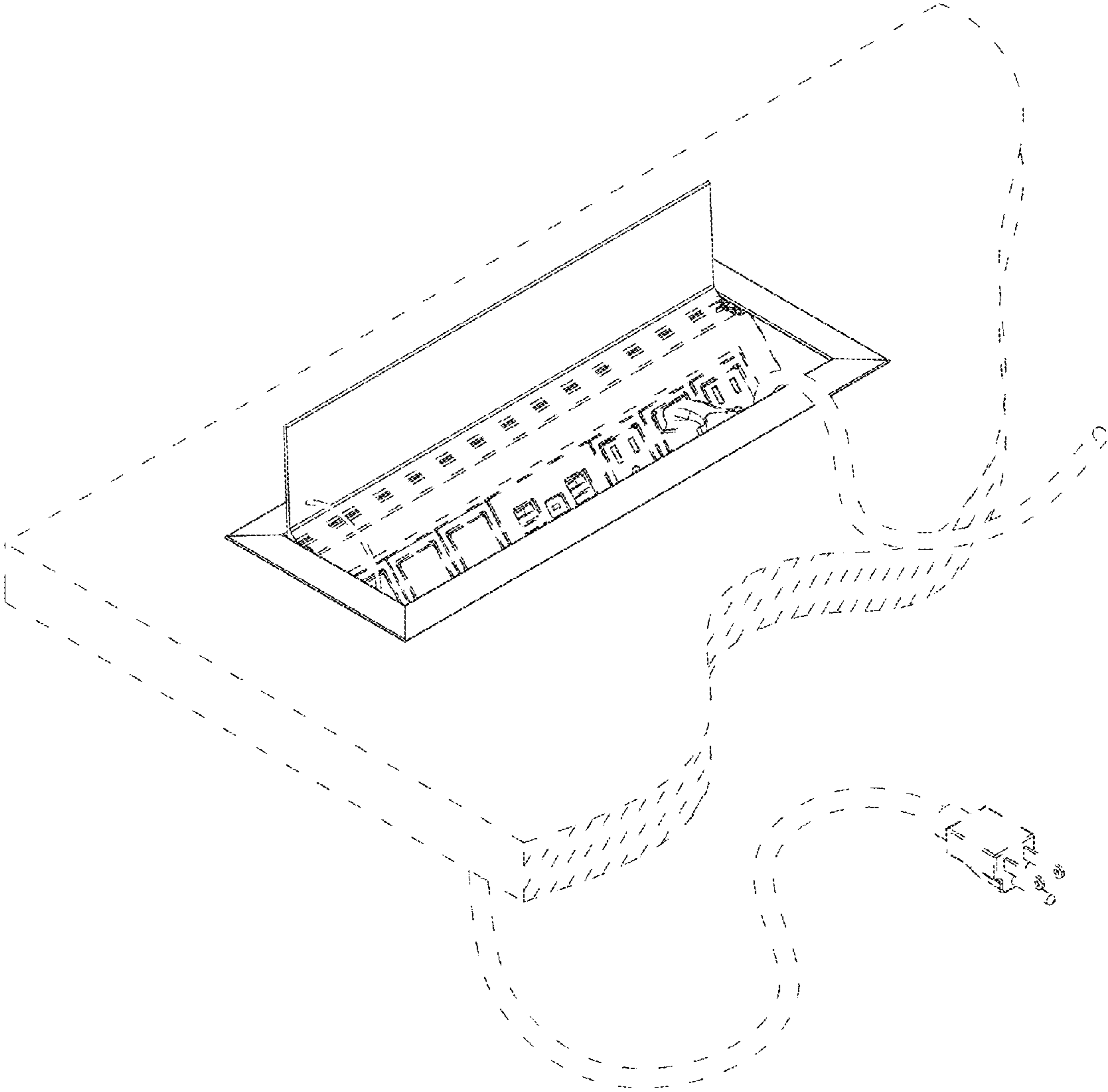


Fig. 2

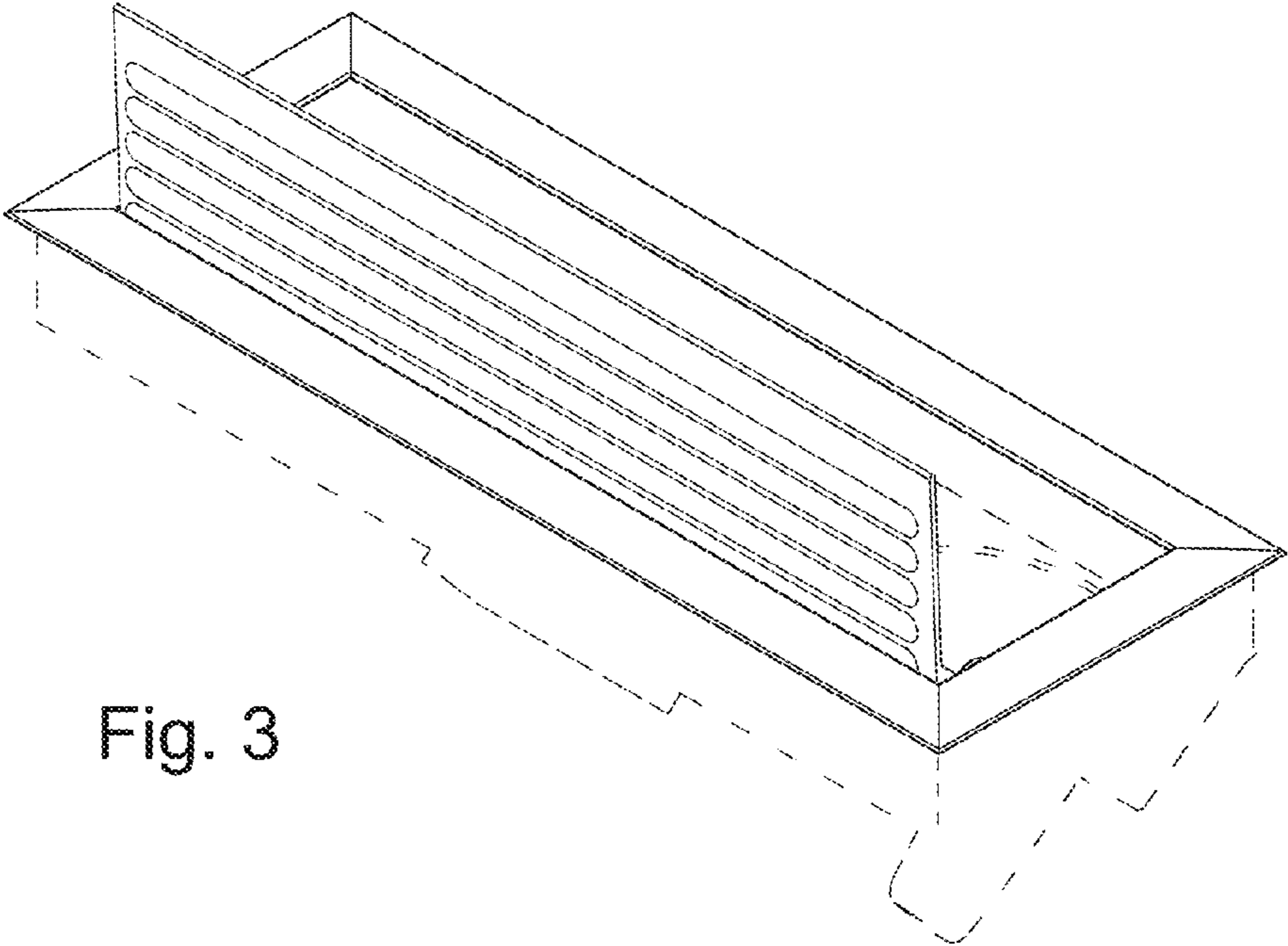


Fig. 3

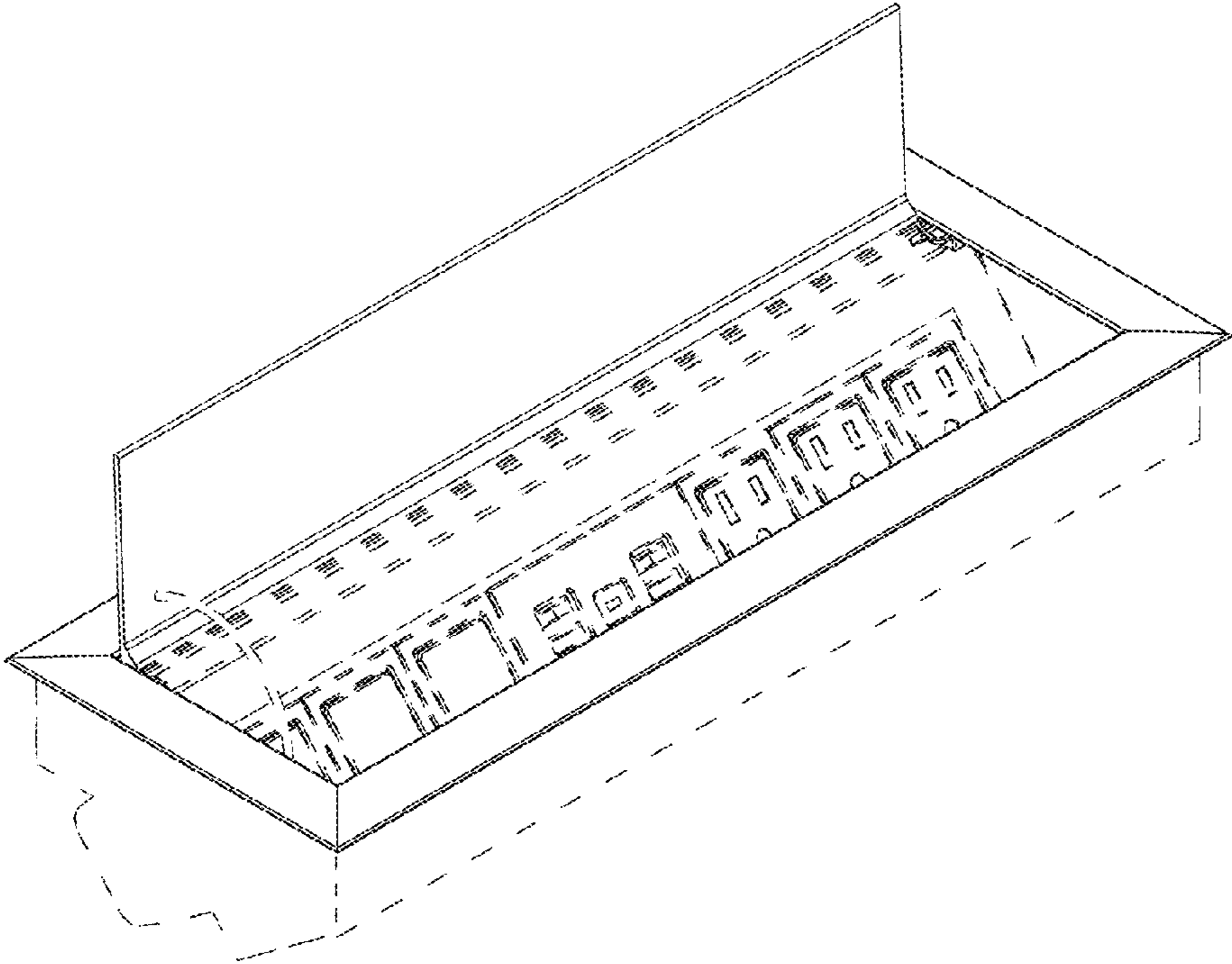


Fig. 4

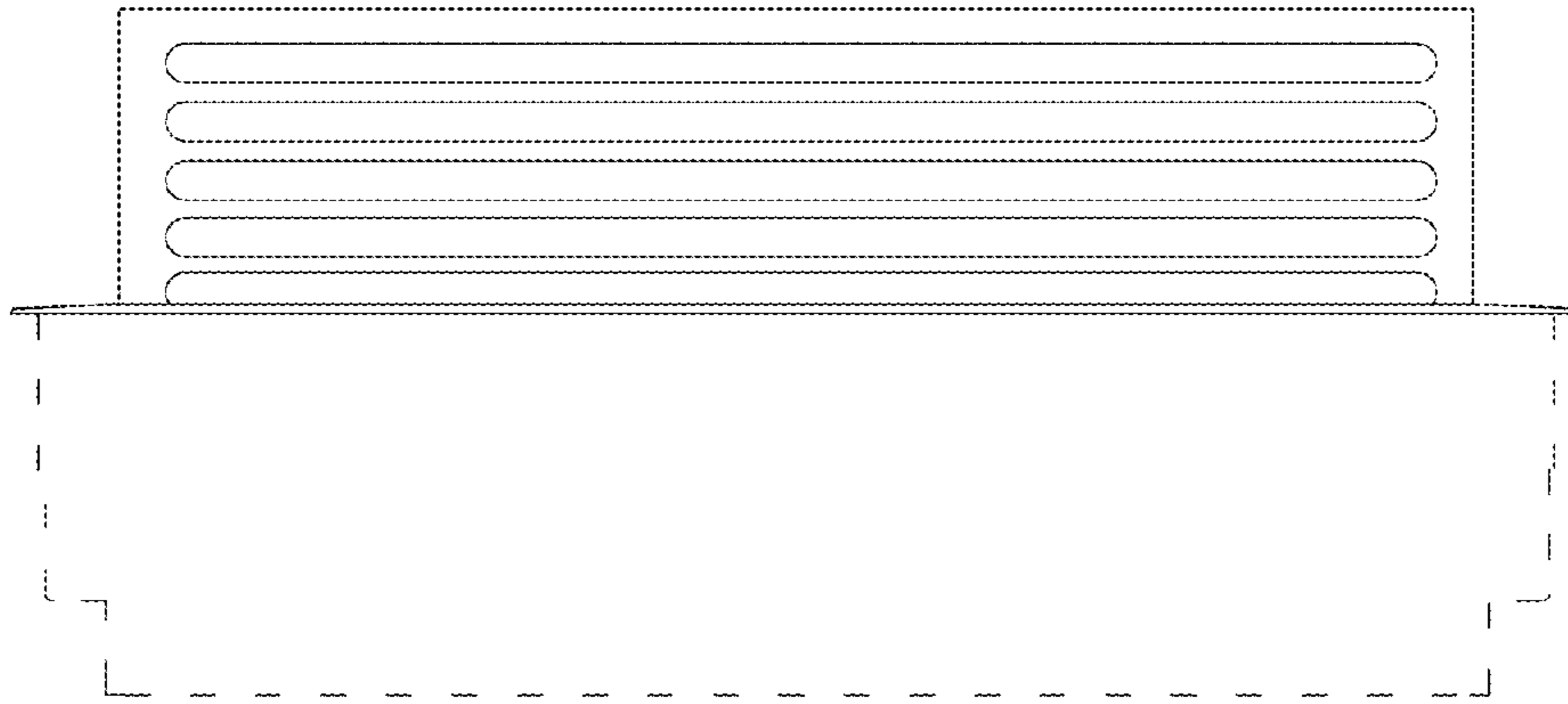


Fig. 5

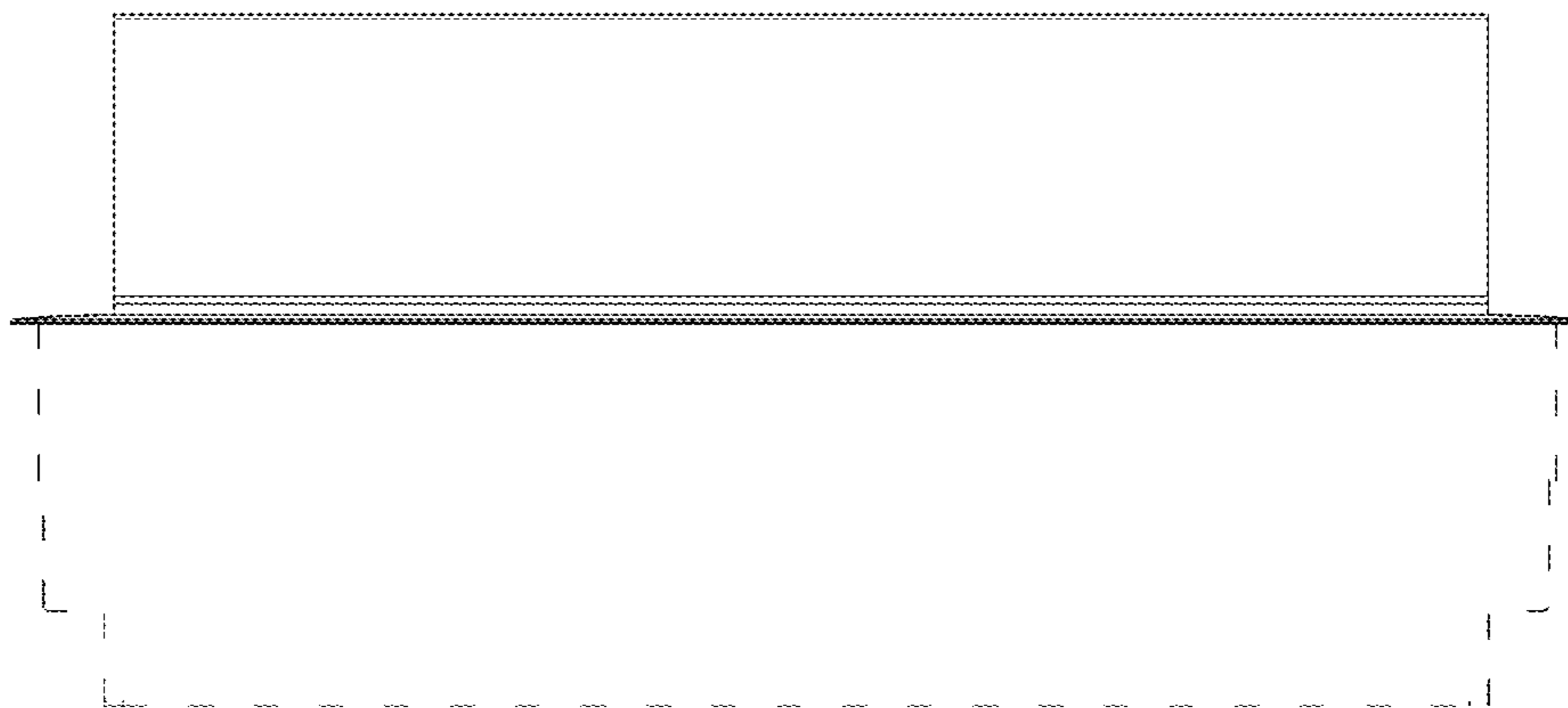


Fig. 6

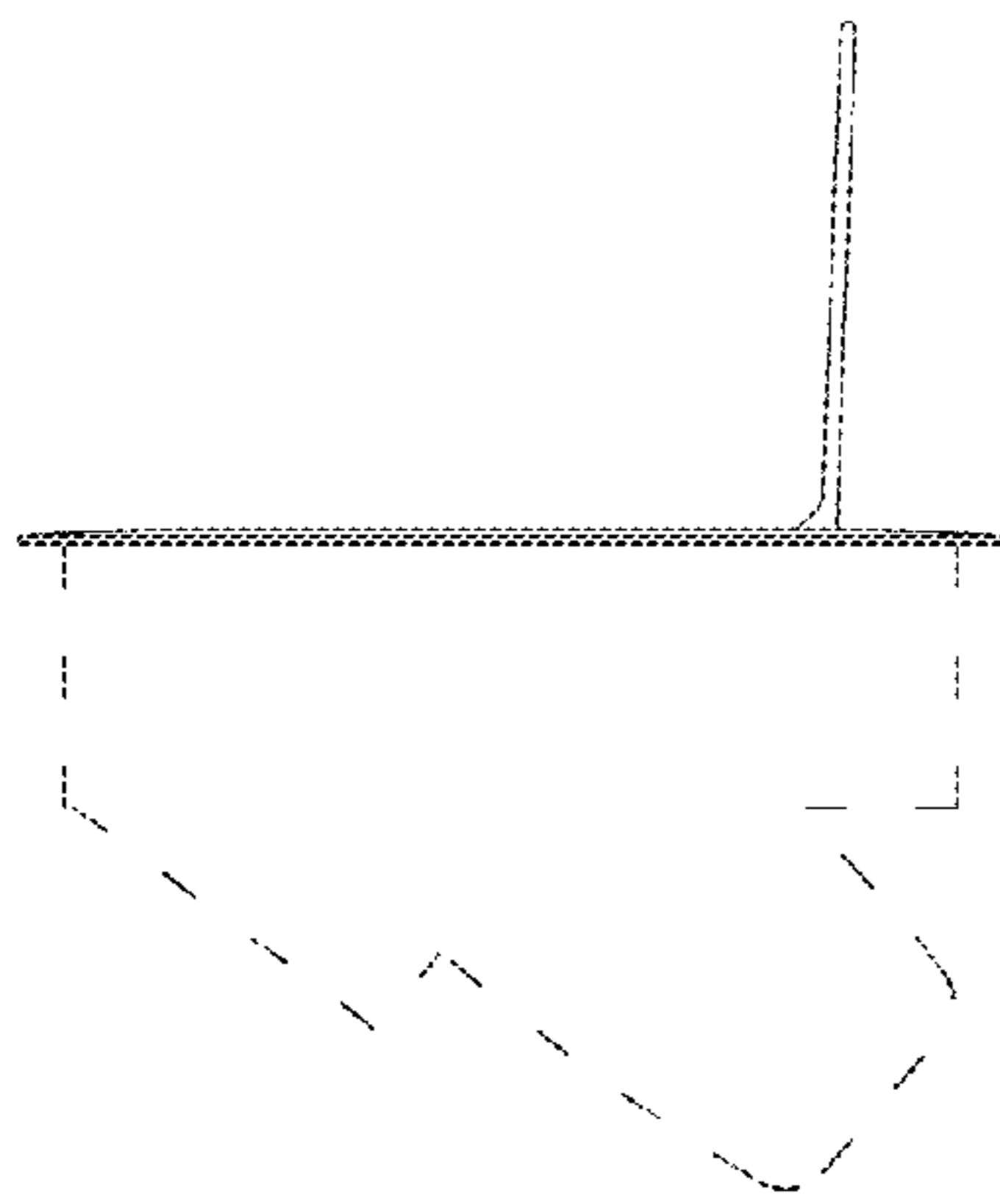


Fig. 7

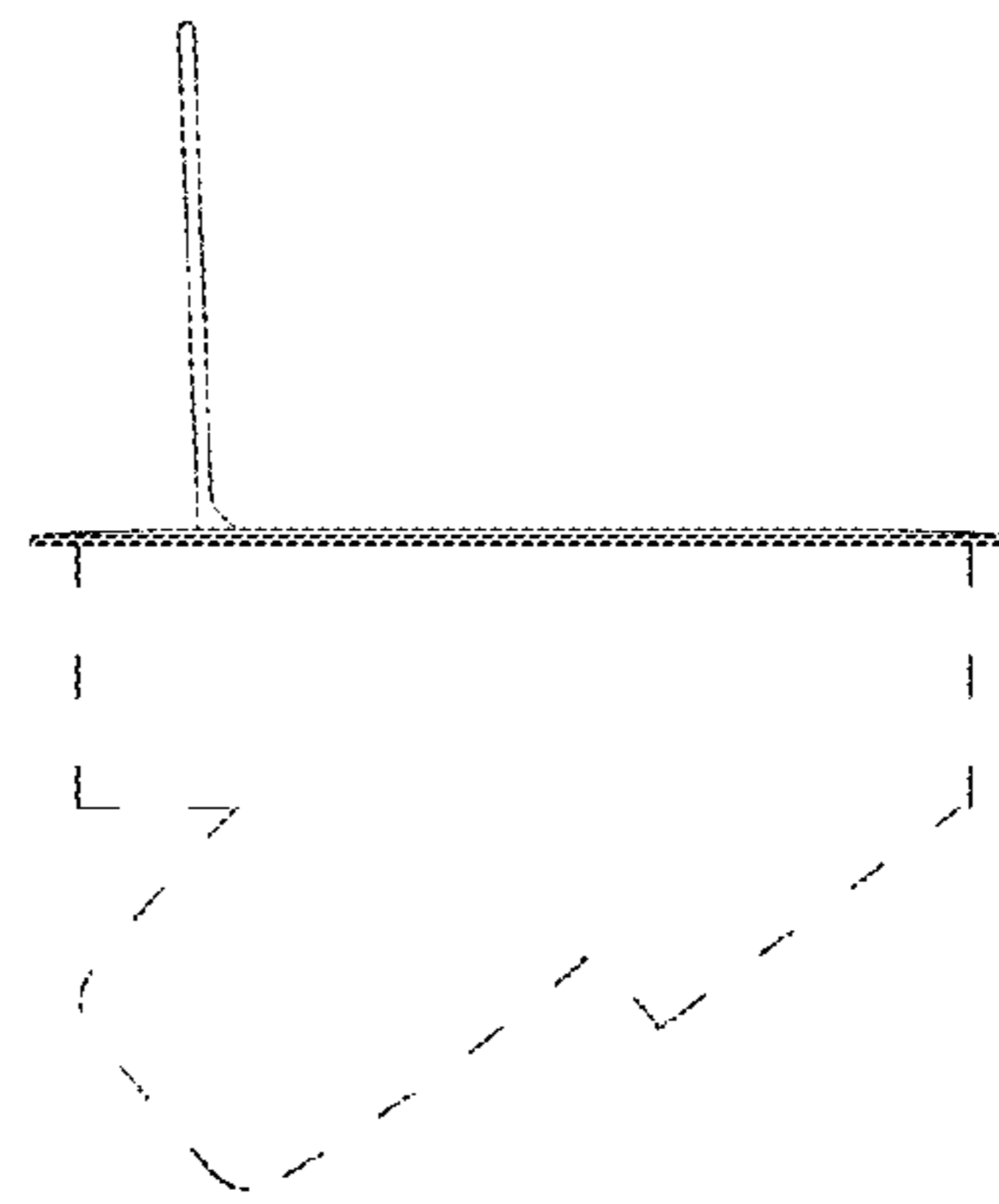


Fig. 8

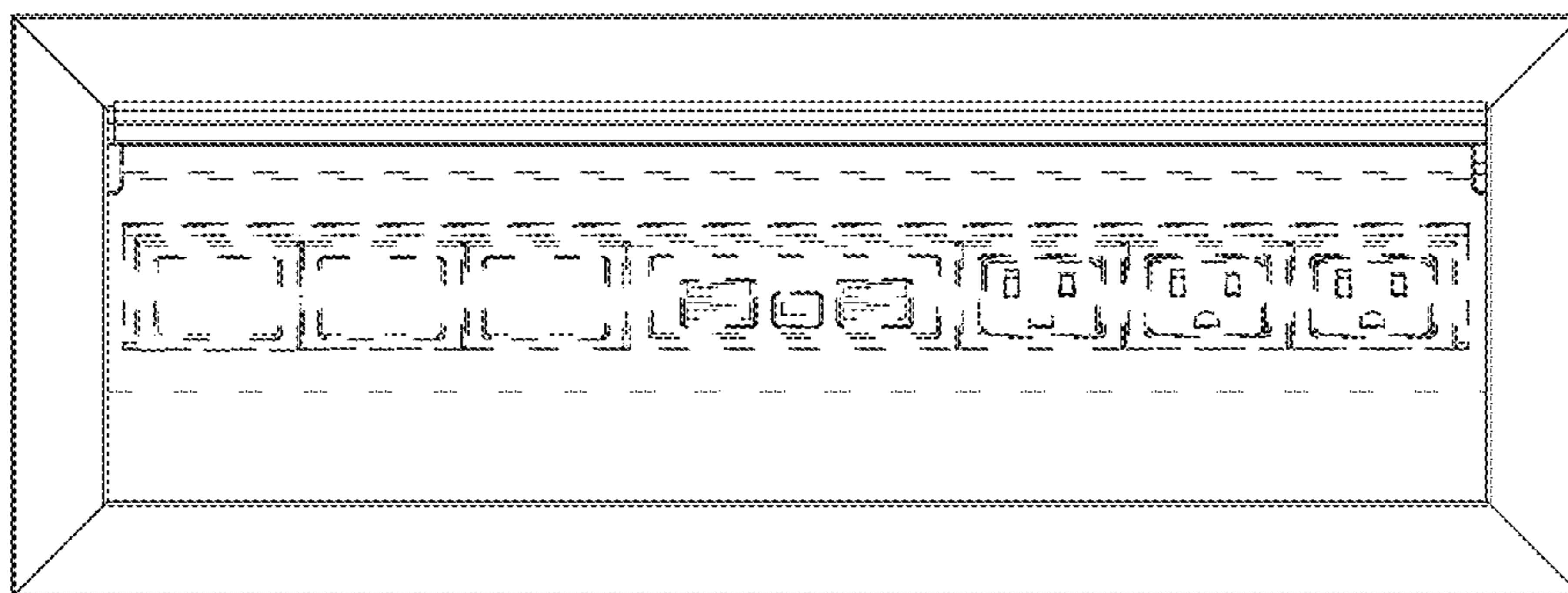


Fig. 9



Fig. 10

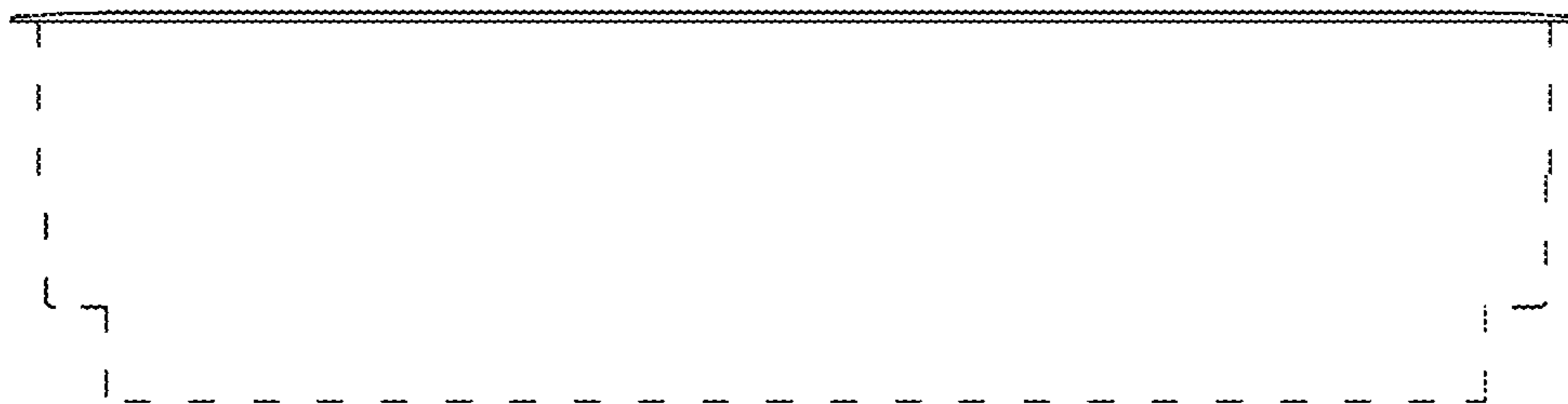


Fig. 11

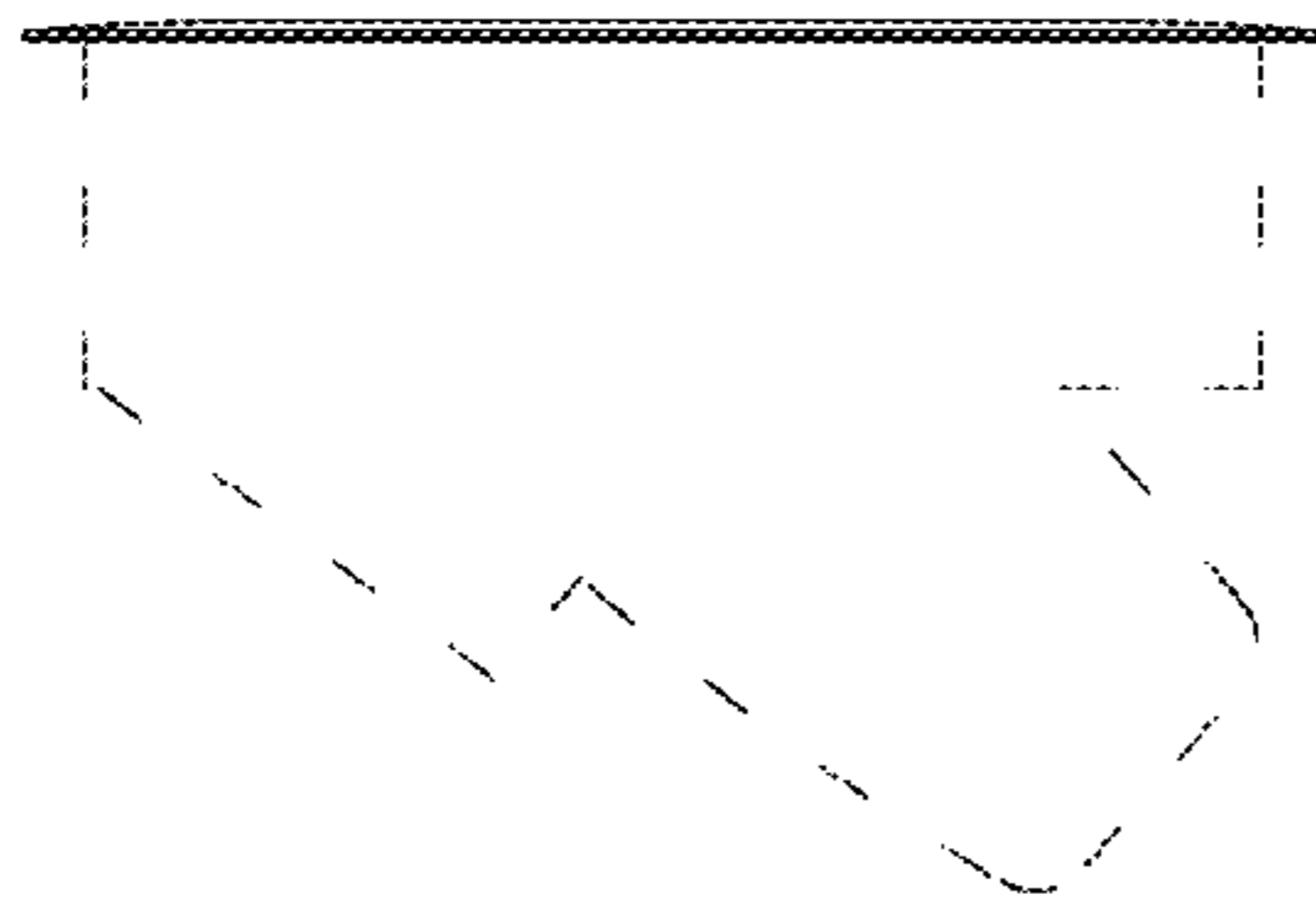


Fig. 12

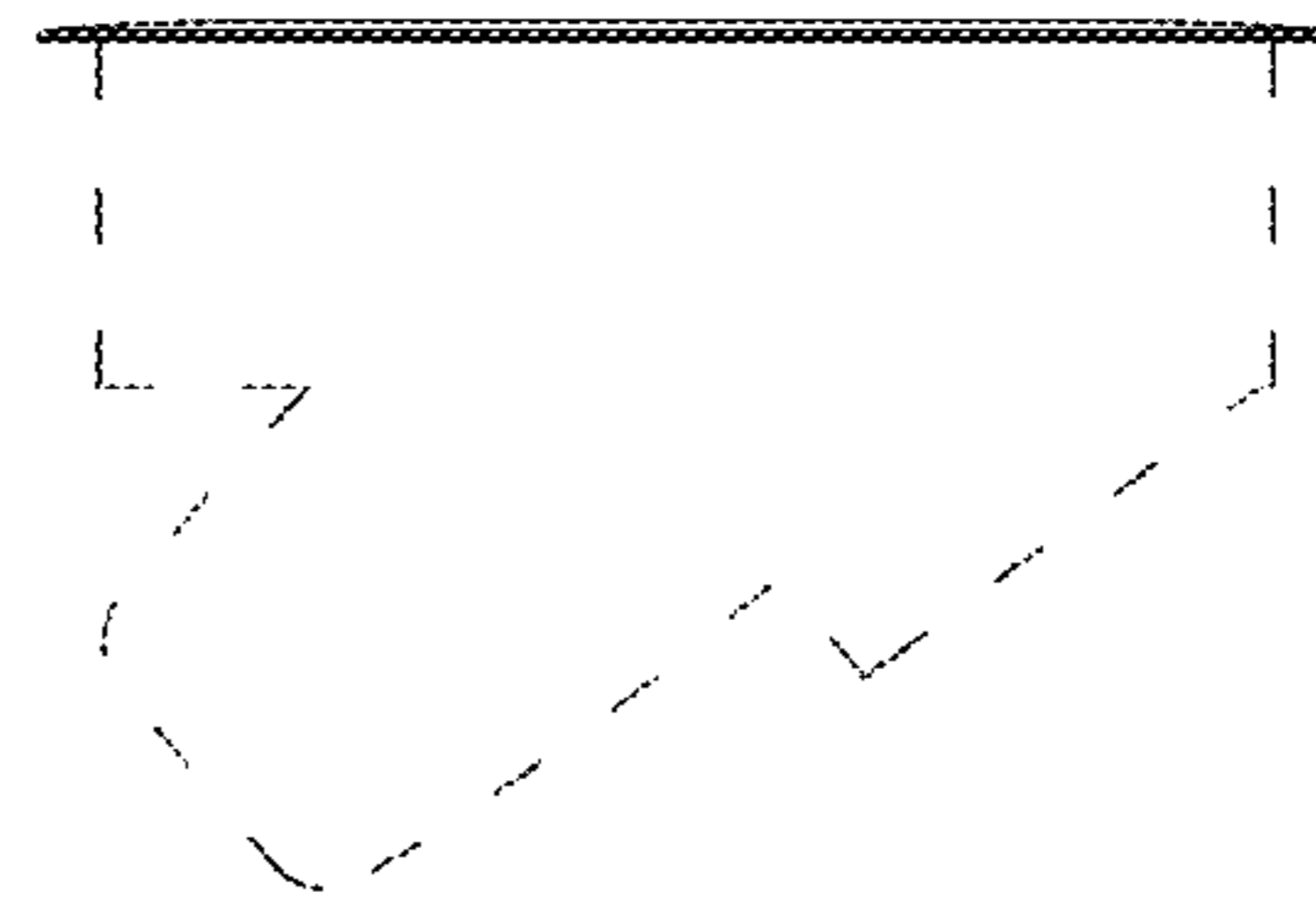


Fig. 13

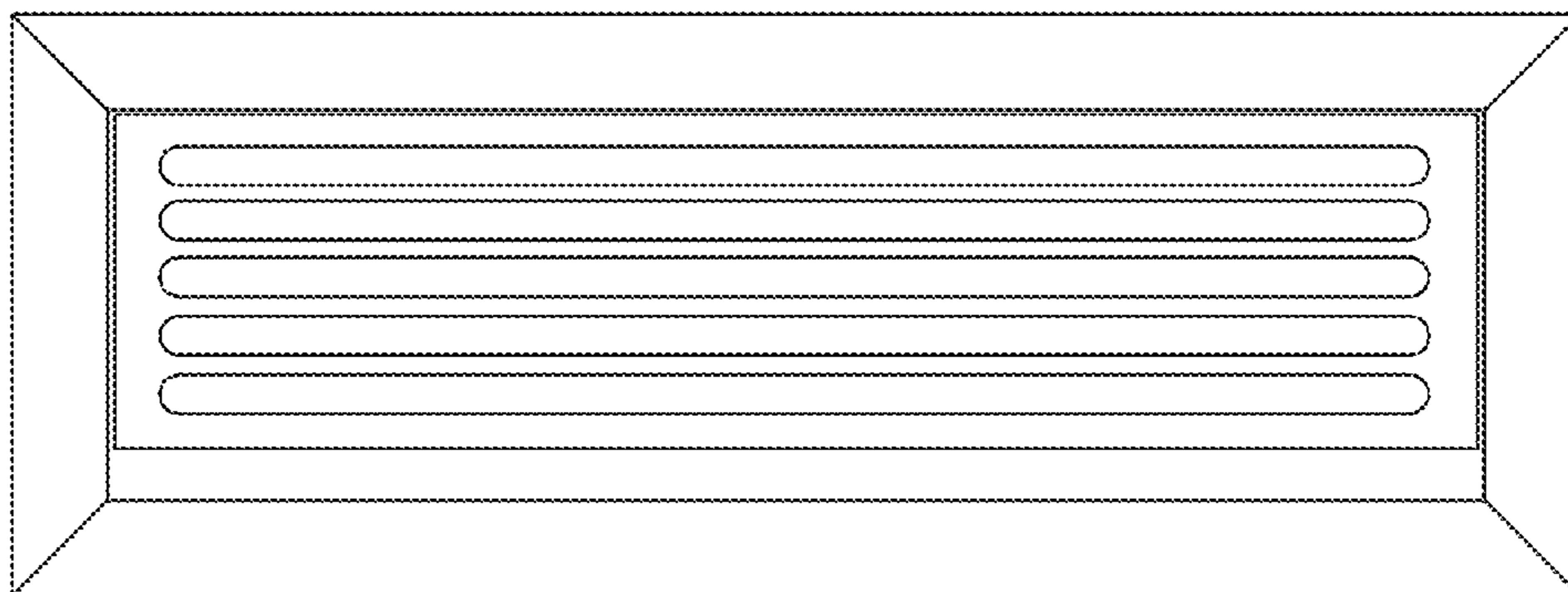


Fig. 14

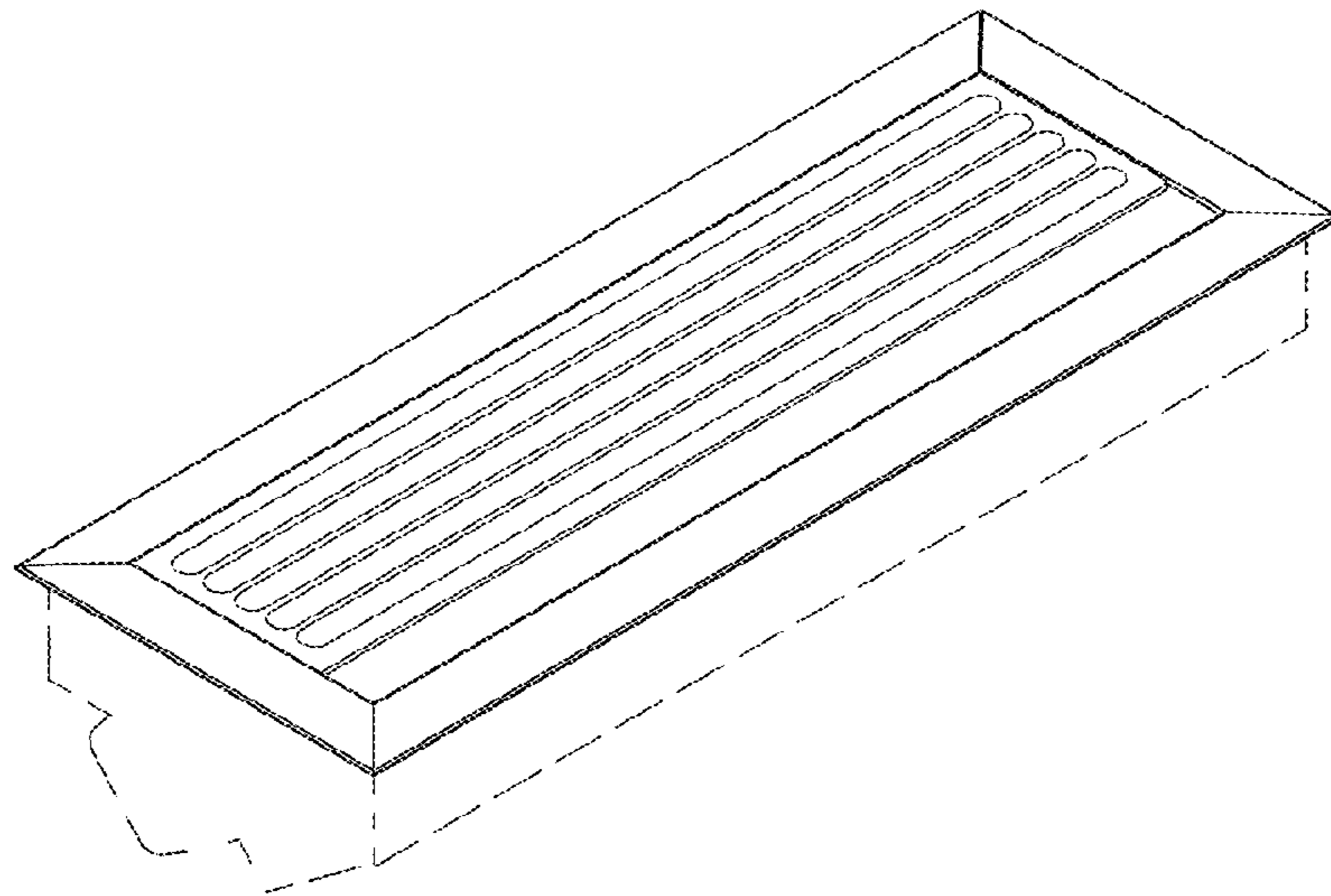


Fig. 15