

US00D709027S

(12) **United States Design Patent**
Fishman et al.

(10) **Patent No.:** **US D709,027 S**
(45) **Date of Patent:** **** Jul. 15, 2014**

(54) **BATTERY ASSEMBLY**

(71) Applicants: **Elliot G. Fishman**, Pittsburgh, PA (US);
Martin David Smalc, Parma, OH (US);
Ryan J. Wayne, Brecksville, OH (US);
Jonathan Andrew Taylor, Cleveland,
OH (US)

(72) Inventors: **Elliot G. Fishman**, Pittsburgh, PA (US);
Martin David Smalc, Parma, OH (US);
Ryan J. Wayne, Brecksville, OH (US);
Jonathan Andrew Taylor, Cleveland,
OH (US)

(73) Assignee: **GrafTech International Holdings Inc.**,
Parma, OH (US)

(**) Term: **14 Years**

(21) Appl. No.: **29/480,254**

(22) Filed: **Jan. 24, 2014**

Related U.S. Application Data

(62) Division of application No. 29/403,092, filed on Sep.
30, 2011, now Pat. No. Des. 701,166.

(51) **LOC (10) Cl.** **13-02**

(52) **U.S. Cl.**
USPC **D13/103; D13/119**

(58) **Field of Classification Search**

USPC D13/102-106, 110, 118-119, 184;
429/96-100, 149, 163, 187
See application file for complete search history.

(56) **References Cited**

U.S. PATENT DOCUMENTS

D350,114	S	*	8/1994	Wales	D13/119
5,443,668	A	*	8/1995	Zaborney et al.	156/86
D400,160	S	*	10/1998	Nagano	D13/103
D424,517	S	*	5/2000	Hurst et al.	D13/119
7,105,249	B2	*	9/2006	Hall et al.	429/176
D535,945	S	*	1/2007	Towler	D13/119
D539,217	S	*	3/2007	Hamaguchi	D13/103
D543,143	S	*	5/2007	Hamaguchi	D13/103
7,390,590	B2	*	6/2008	Wani et al.	429/96
D574,768	S	*	8/2008	Witte	D13/103
D577,333	S	*	9/2008	Daniel et al.	D13/103
D593,488	S	*	6/2009	Harrison et al.	D13/103
D664,498	S	*	7/2012	Liu	D13/103
2013/0209858	A1		8/2013	Schmitt et al.		

* cited by examiner

Primary Examiner — Rosemary K Tarcza

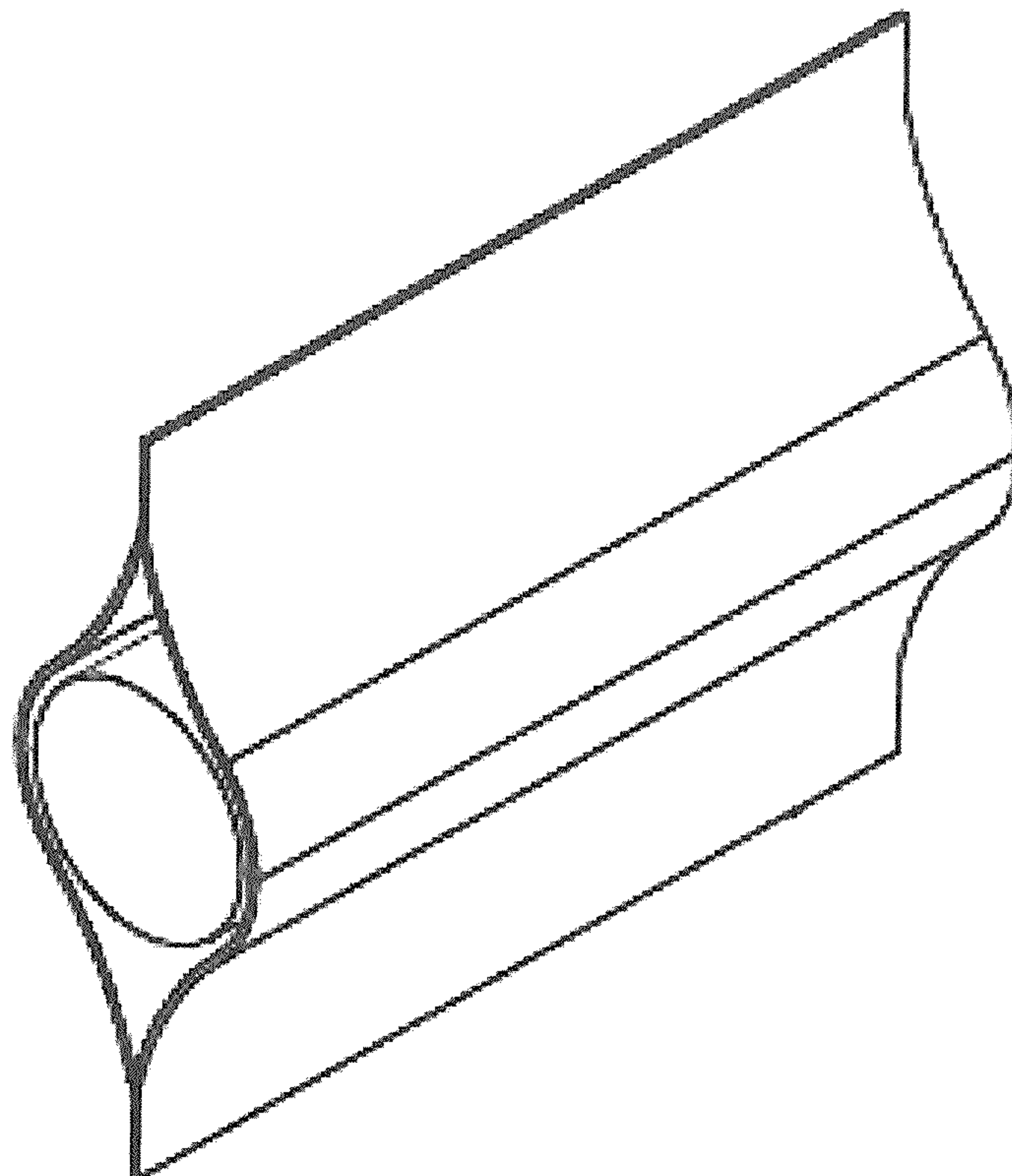
(57) **CLAIM**

The ornamental design for a battery assembly, as shown and described.

DESCRIPTION

FIG. 1 is a perspective view of a battery assembly; and,
FIG. 2 is a front view thereof.

1 Claim, 1 Drawing Sheet



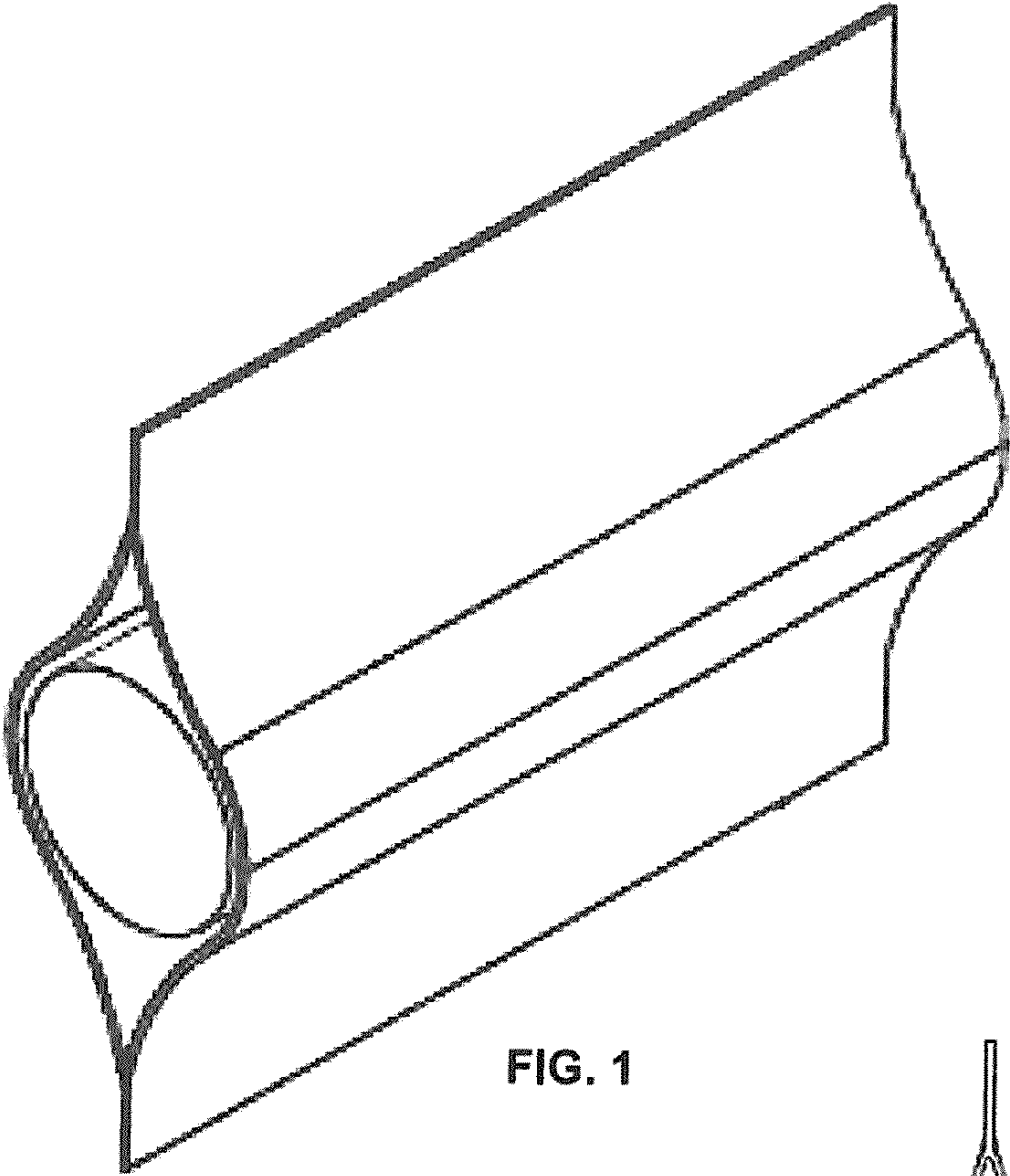


FIG. 1

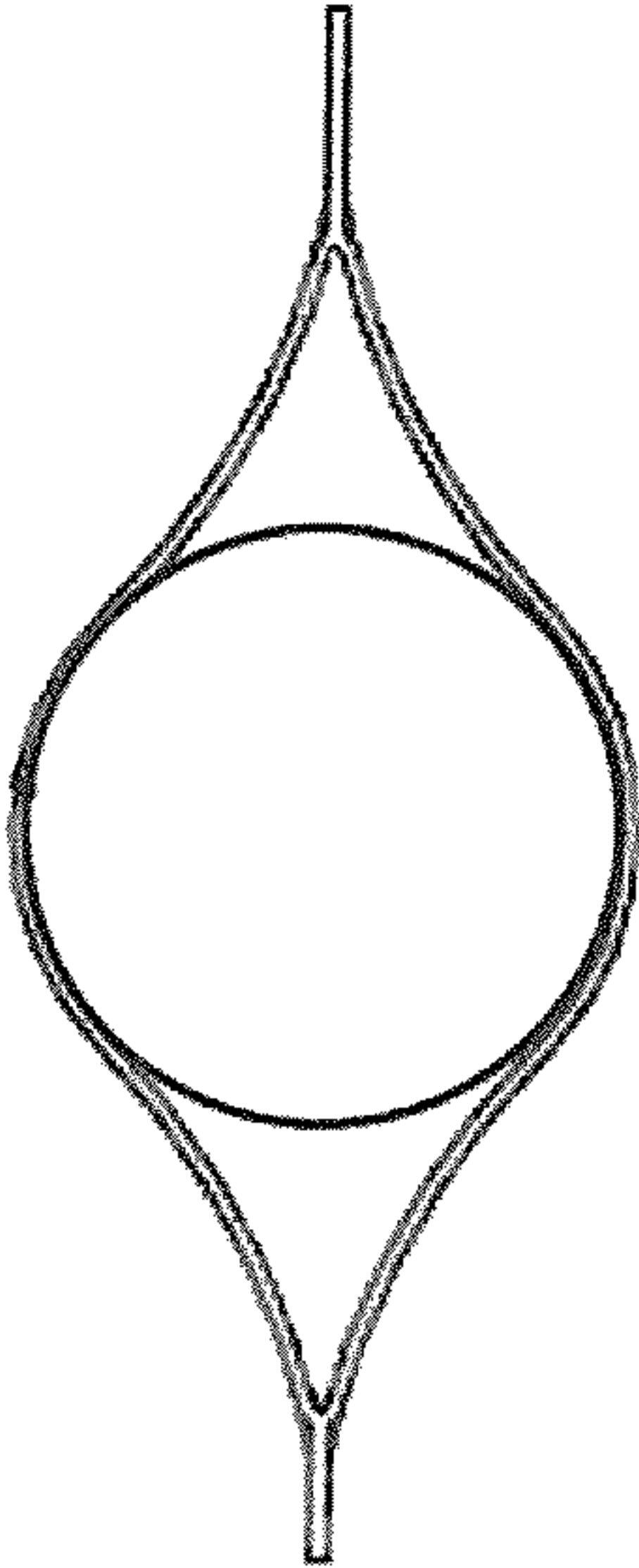


FIG. 2