



US00D709021S

(12) **United States Design Patent**  
**Connolly**

(10) **Patent No.:** **US D709,021 S**  
(45) **Date of Patent:** **\*\* Jul. 15, 2014**

(54) **SPOKE**  
(75) Inventor: **Martin Connolly**, San Marcos, CA (US)  
(73) Assignee: **Spinergy Inc.**  
(\*\*) Term: **14 Years**  
(21) Appl. No.: **29/430,665**  
(22) Filed: **Aug. 28, 2012**  
(51) **LOC (10) Cl.** ..... **12-16**  
(52) **U.S. Cl.**  
USPC ..... **D12/213**  
(58) **Field of Classification Search**  
USPC ..... D12/204–213; 301/37.101, 64.101, 65,  
301/64.201, 95.104, 95.106, 58, 55, 104,  
301/111.01  
See application file for complete search history.

(56) **References Cited**  
U.S. PATENT DOCUMENTS

D30,729 S *	5/1899	Hussey	.....	D12/213
D31,447 S *	8/1899	Spicer	.....	D12/213
D310,655 S *	9/1990	Choe	.....	D12/213
D365,319 S *	12/1995	Vancour	.....	D12/213
D373,102 S *	8/1996	Choi	.....	D12/213

D374,649 S *	10/1996	Choi	.....	D12/213
5,779,323 A *	7/1998	Burrows	.....	301/58
D427,133 S *	6/2000	Baron	.....	D12/213
6,189,978 B1 *	2/2001	Lacombe et al.	.....	301/104
7,077,480 B2 *	7/2006	Hjertberg et al.	.....	301/58
D545,751 S *	7/2007	Cappellotto	.....	D12/213
D551,610 S *	9/2007	Cappellotto	.....	D12/213
D565,492 S *	4/2008	Chiang	.....	D12/213
7,354,114 B2 *	4/2008	Passarotto et al.	.....	301/104
D626,054 S *	10/2010	Walther	.....	D12/213
2006/0261666 A1 *	11/2006	Passarotto	.....	301/104

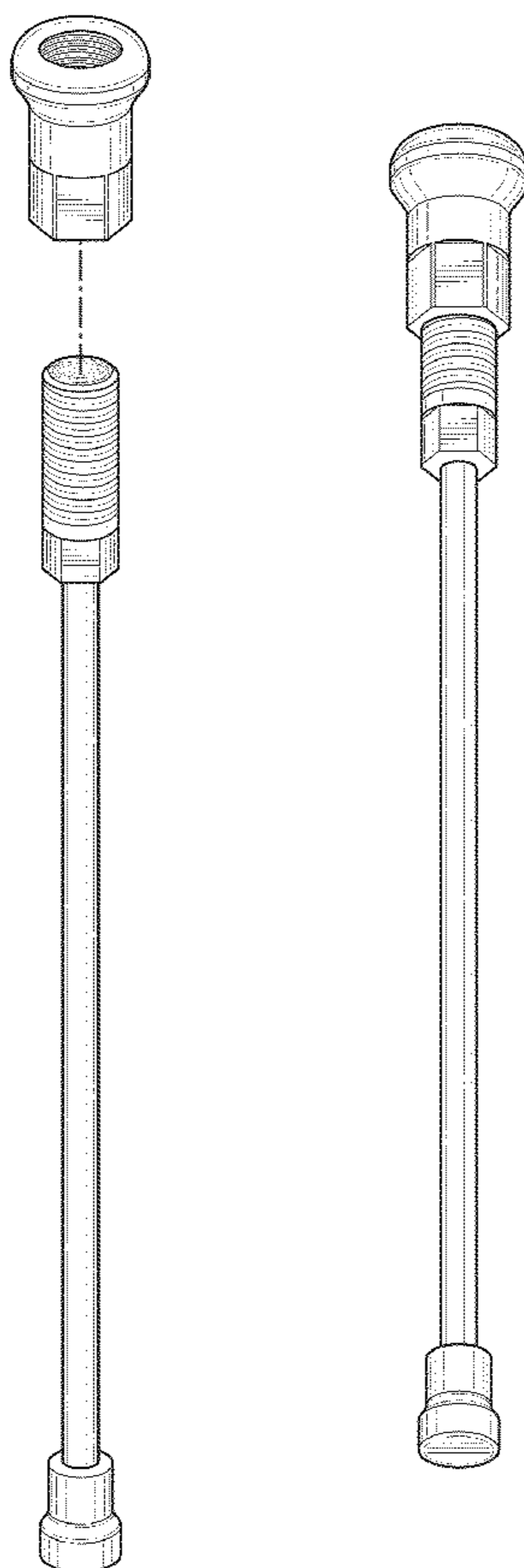
\* cited by examiner  
*Primary Examiner* — Stacia Cadmus  
(74) *Attorney, Agent, or Firm* — Gary L. Eastman, Esq.

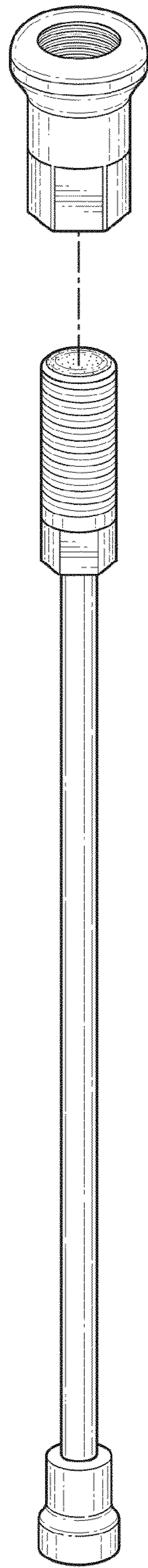
(57) **CLAIM**  
The ornamental design for a spoke, as shown and described.

**DESCRIPTION**

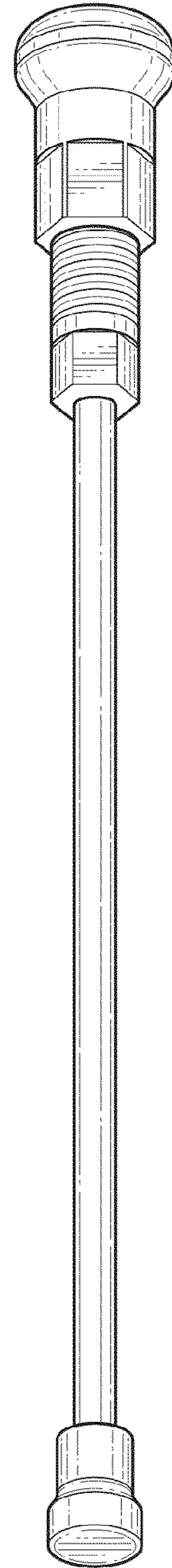
FIG. 1 is an upper front perspective view of the spoke showing my new design in a detached configuration; FIG. 2 is a lower front perspective view of the inverted spoke; FIG. 3 is a front view of the spoke; FIG. 4 is a left side view of the spoke; FIG. 5 is a top view of the spoke; and, FIG. 6 is a bottom view of the spoke.

**1 Claim, 2 Drawing Sheets**





**FIG. 1**



**FIG. 2**

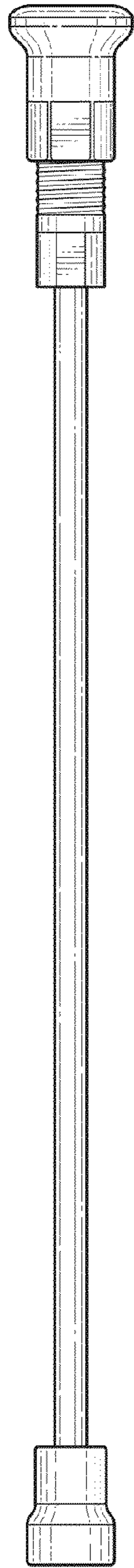


FIG. 3

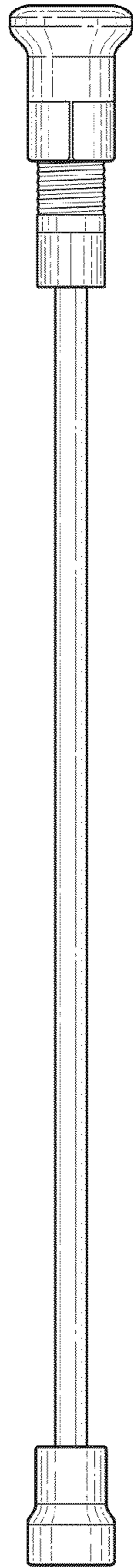


FIG. 4

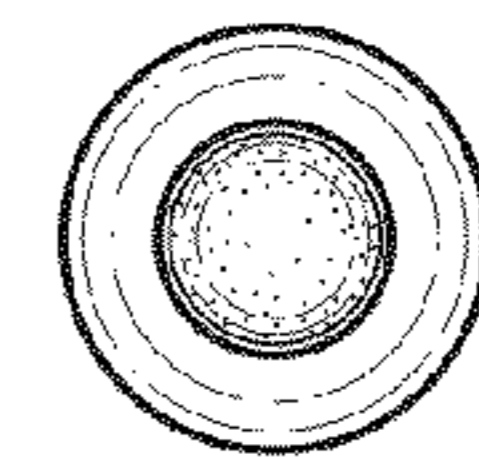


FIG. 5

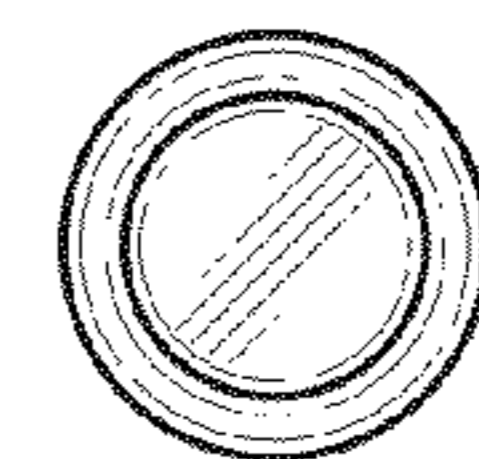


FIG. 6