



US00D709020S

(12) **United States Design Patent**
Chung

(10) **Patent No.:** **US D709,020 S**
(45) **Date of Patent:** **** Jul. 15, 2014**

(54) **WHEEL**

(71) Applicant: **Suny Chung**, Anaheim, CA (US)

(72) Inventor: **Suny Chung**, Anaheim, CA (US)

(73) Assignee: **Wheel Pros, LLC**, Greenwood Village, CO (US)

(**) Term: **14 Years**

(21) Appl. No.: **29/481,665**

(22) Filed: **Feb. 7, 2014**

(51) **LOC (10) Cl.** **12-16**

(52) **U.S. Cl.**
USPC **D12/211**

(58) **Field of Classification Search**
USPC D12/204-213; 301/37.101, 64.101, 65,
301/64.201
See application file for complete search history.

(56) **References Cited**

U.S. PATENT DOCUMENTS

D470,812 S	*	2/2003	Chu	D12/211
D526,267 S	*	8/2006	Looho	D12/211
D548,165 S	*	8/2007	Young	D12/211

D578,458 S	*	10/2008	Cortes	D12/211
D597,012 S	*	7/2009	Chung	D12/211
D633,027 S	*	2/2011	Matei et al.	D12/211
D656,447 S	*	3/2012	Johnson	D12/211
D670,227 S	*	11/2012	Chung	D12/211
D683,686 S	*	6/2013	Alfonso	D12/211
D688,187 S	*	8/2013	McMath	D12/209
D695,188 S	*	12/2013	Chinavare	D12/209

* cited by examiner

Primary Examiner — Stacia Cadmus

(74) *Attorney, Agent, or Firm* — Garcia-Zamor IP Law; Ruy M. Garcia-Zamor

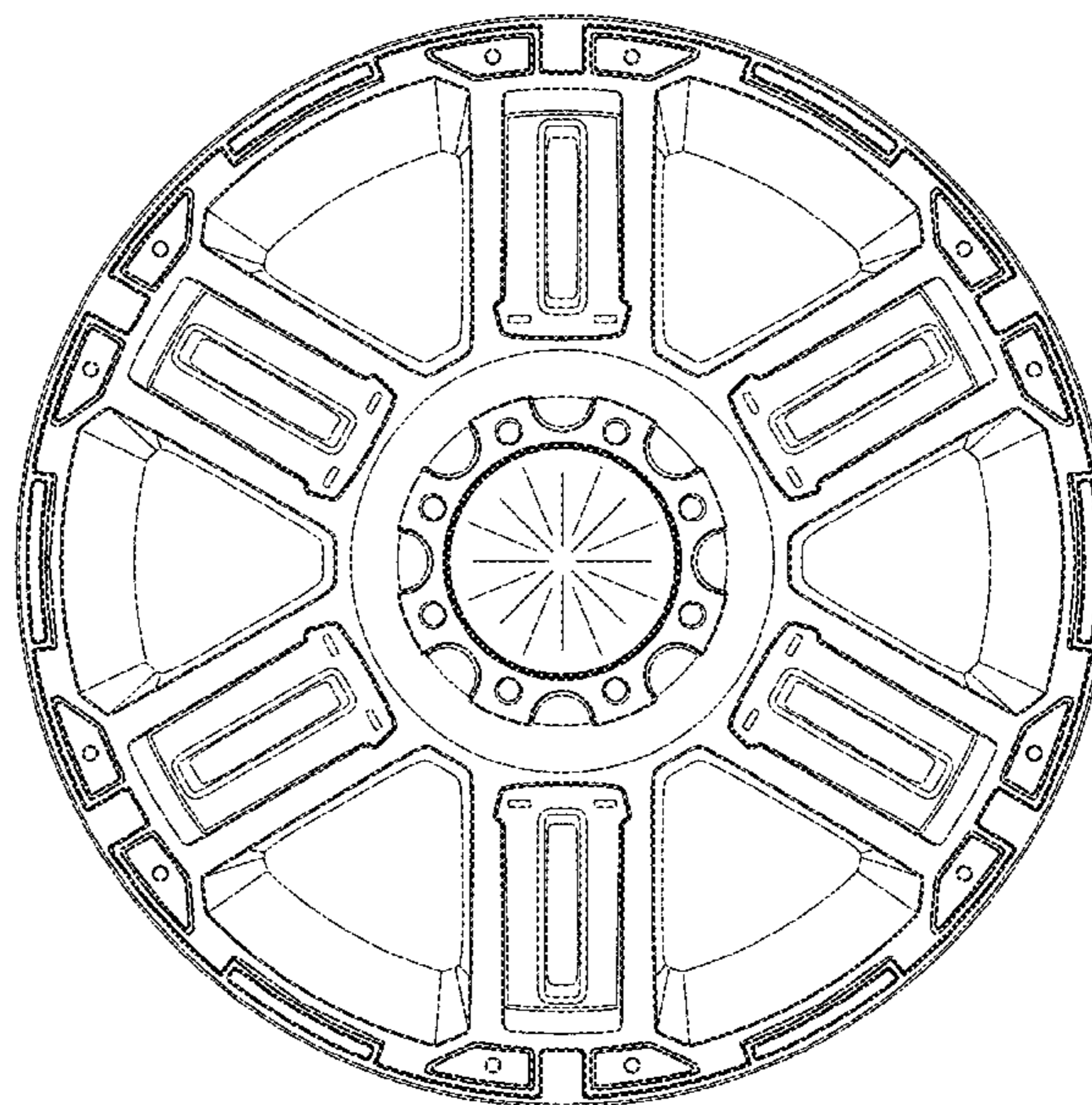
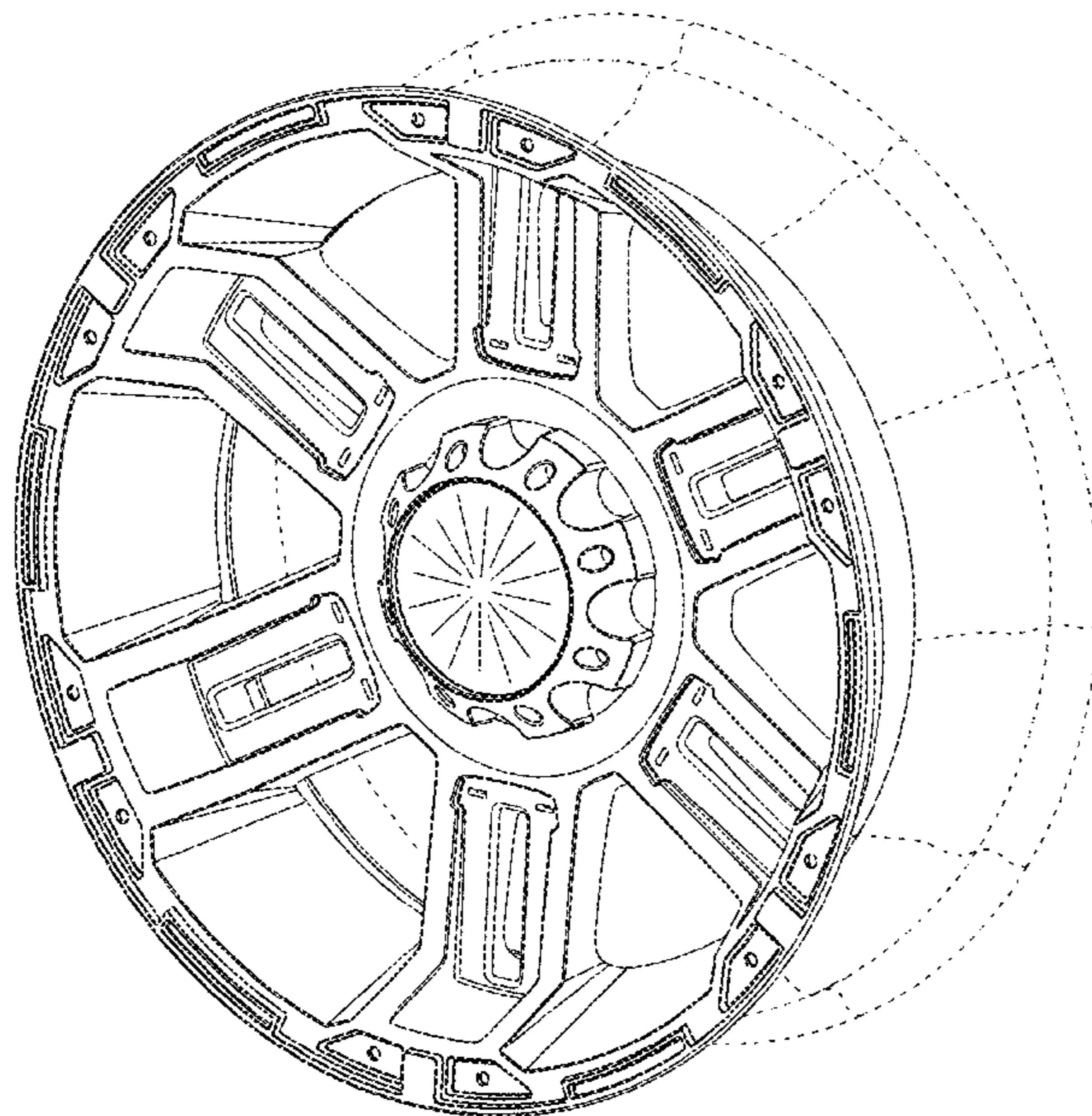
(57) **CLAIM**

The ornamental design for a wheel, as shown and described.

DESCRIPTION

FIG. 1 is a perspective view of a wheel according to my new design;
FIG. 2 is a front elevational view of the wheel of FIG. 1;
FIG. 3 is a left side elevational view of the wheel of FIG. 1;
FIG. 4 is a right side elevational view of the wheel of FIG. 1;
FIG. 5 is a top plan view of the wheel of FIG. 1;
FIG. 6 is a bottom plan view of the wheel of FIG. 1; and,
FIG. 7 is a rear elevational view of the wheel of FIG. 1.
The broken line showing of the rear of the wheel is included for the purpose of illustrating environment and forms no part of the claimed design.

1 Claim, 6 Drawing Sheets



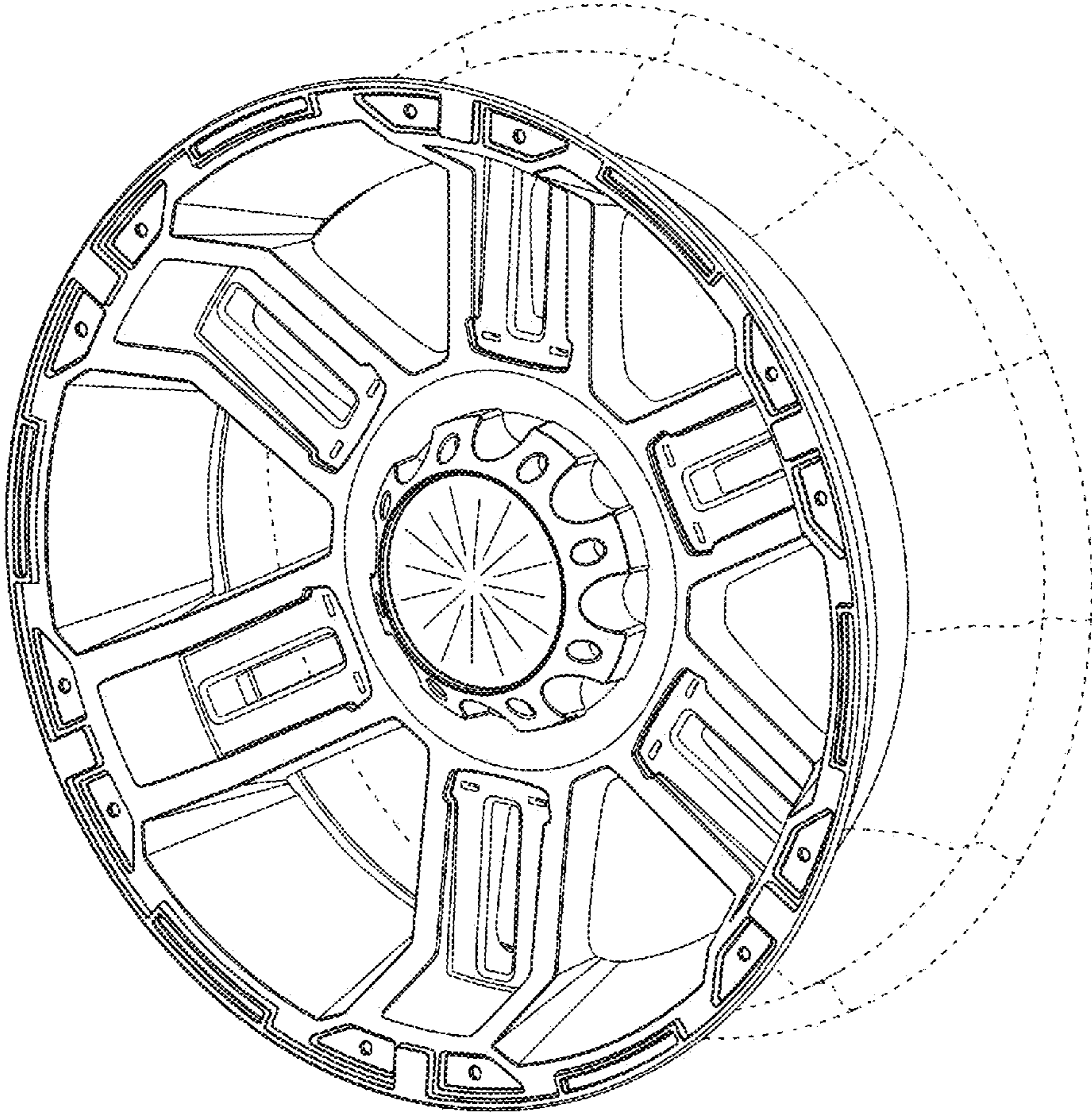


FIG. 1

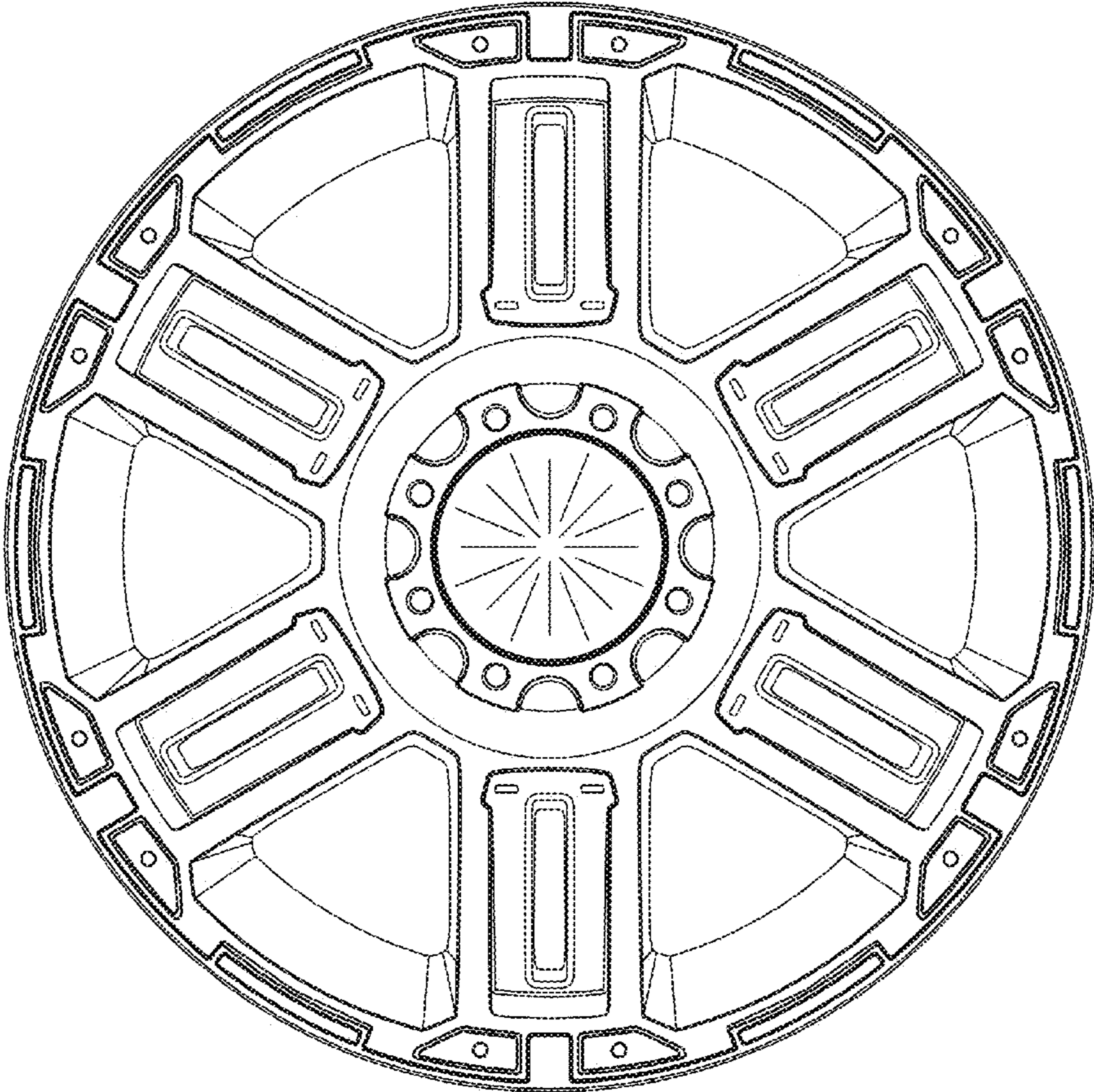


FIG. 2

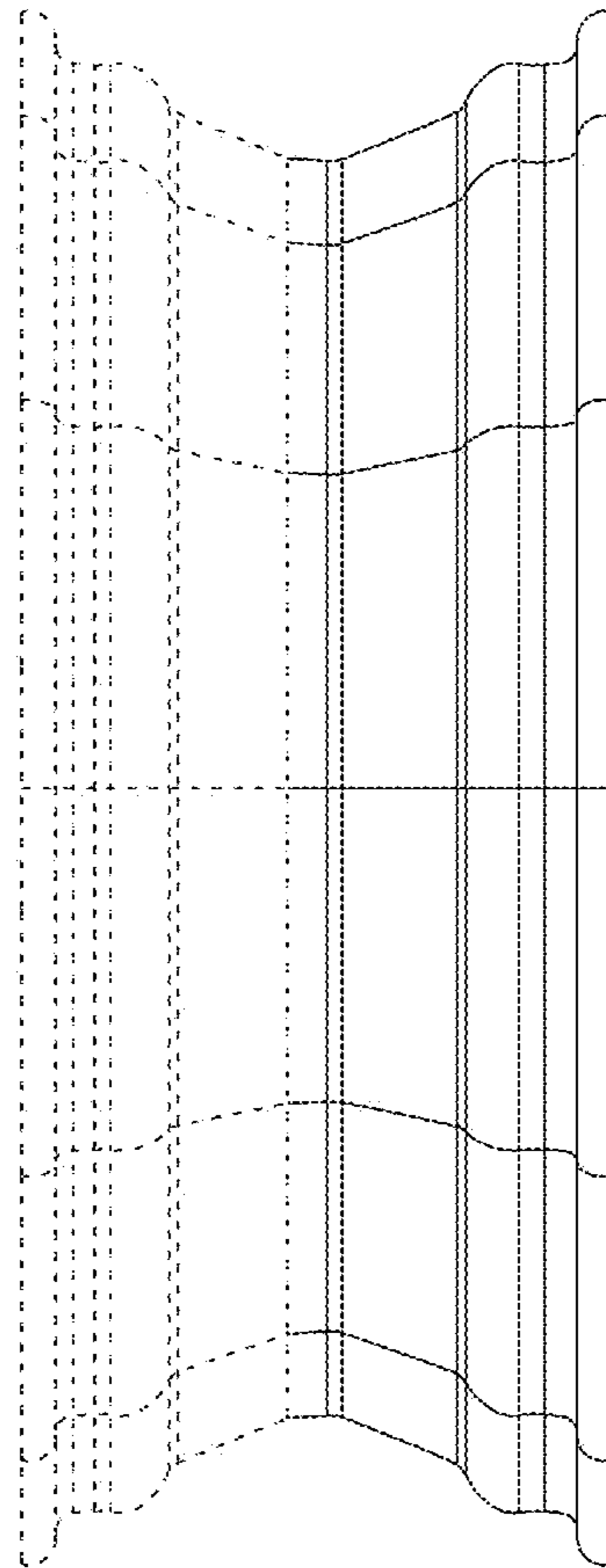


FIG. 3

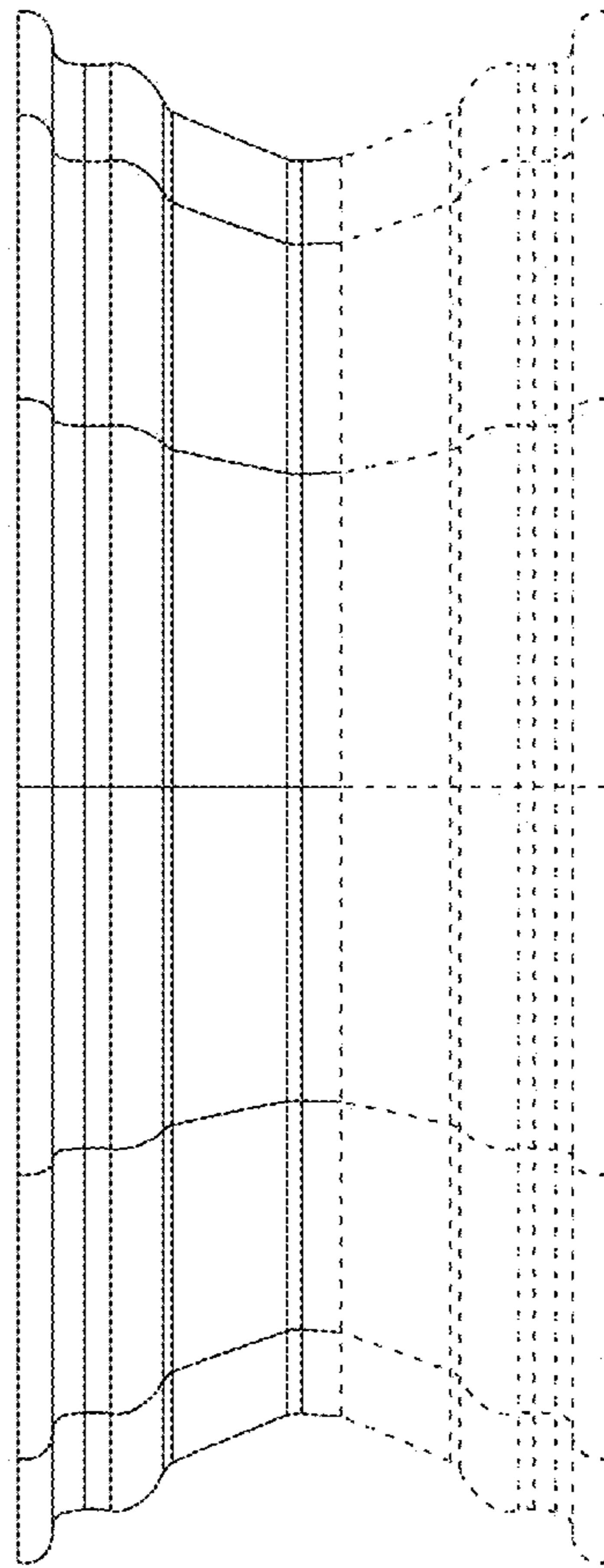


FIG. 4

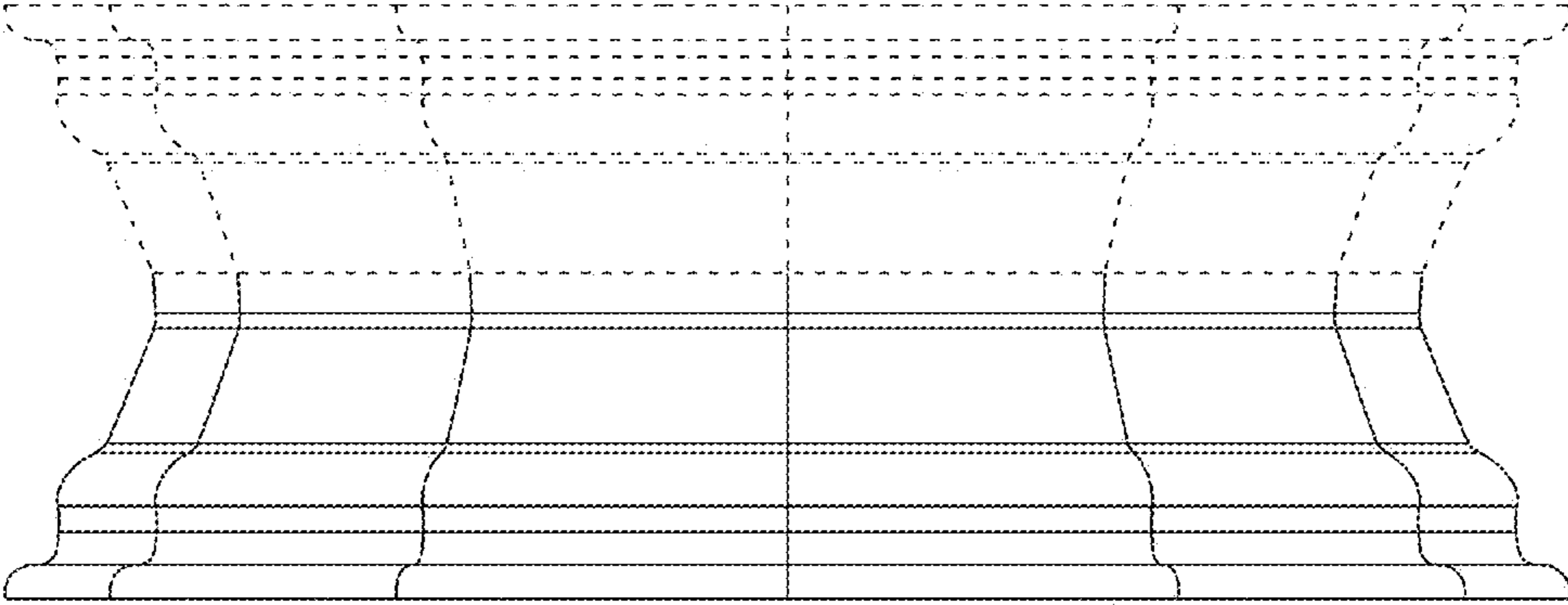


FIG. 5

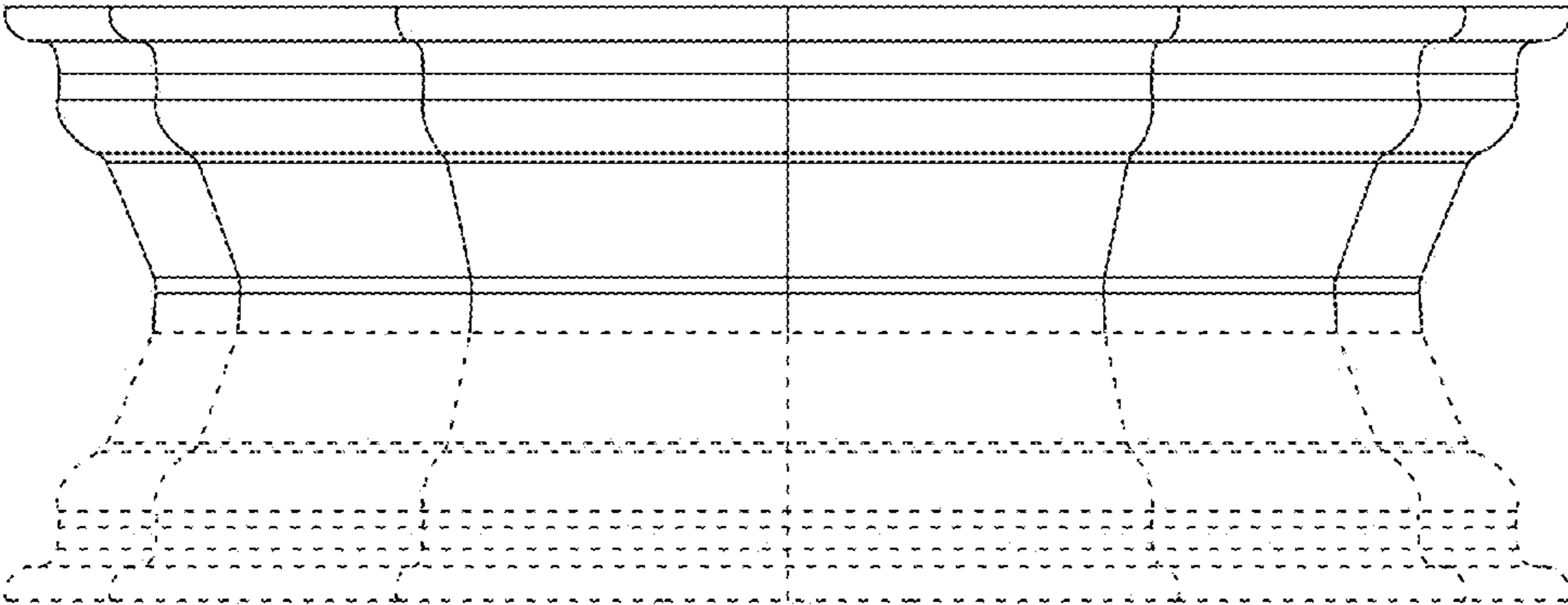


FIG. 6

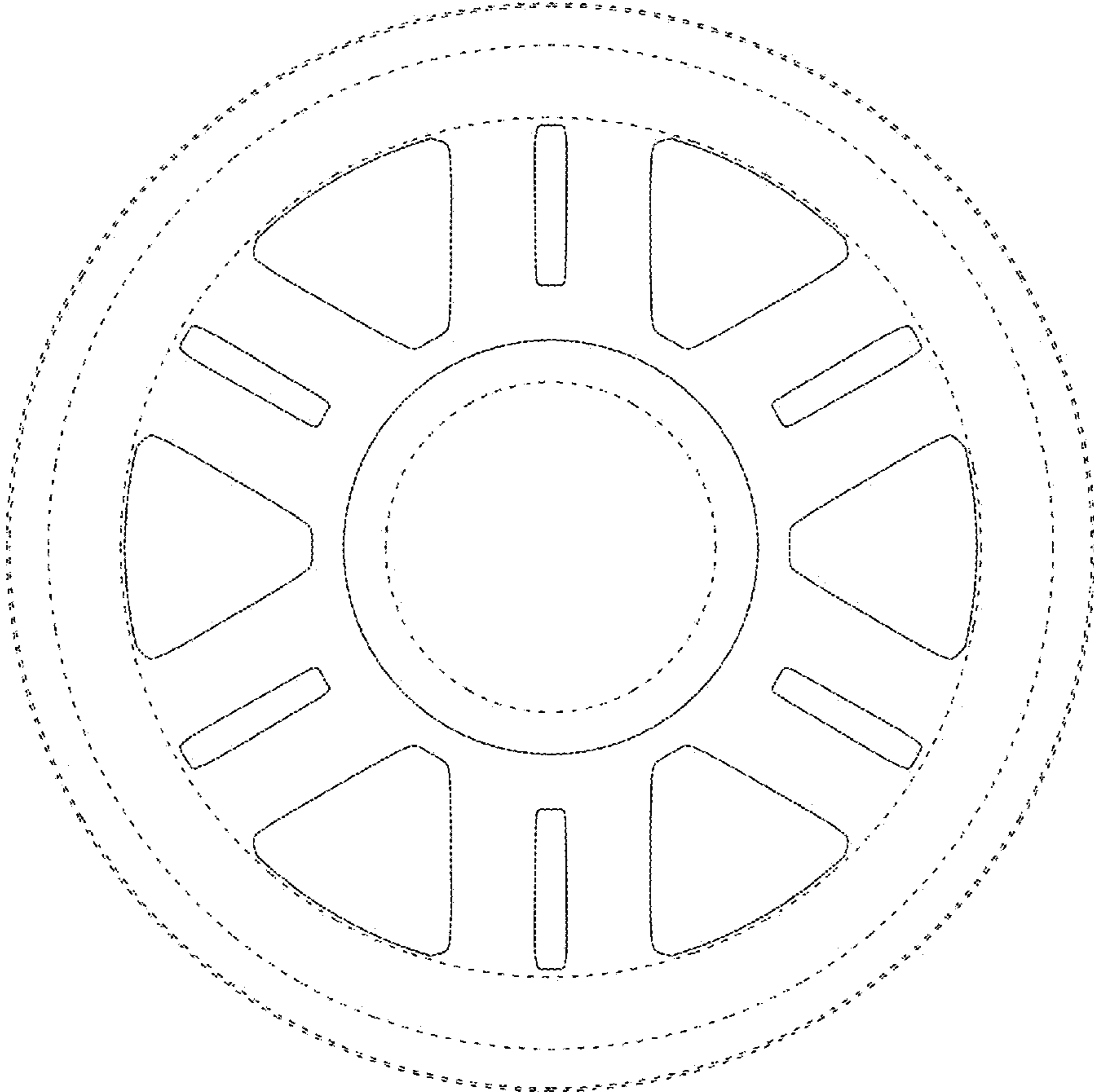


FIG. 7