



US00D709019S

(12) **United States Design Patent**
Hale, Jr.

(10) **Patent No.:** **US D709,019 S**
(45) **Date of Patent:** **** Jul. 15, 2014**

- (54) **VEHICLE-WHEEL FRONT FACE**
- (71) Applicant: **Mobile Hi-Tech Wheels, Rancho Dominguez, CA (US)**
- (72) Inventor: **Arthur D. Hale, Jr., Long Beach, CA (US)**
- (73) Assignee: **Mobile Hi-Tech Wheels, Rancho Dominguez, CA (US)**
- (**) Term: **14 Years**
- (21) Appl. No.: **29/476,821**
- (22) Filed: **Dec. 17, 2013**
- (51) **LOC (10) Cl.** **12-16**
- (52) **U.S. Cl.**
USPC **D12/211**
- (58) **Field of Classification Search**
USPC D12/204-213; 301/37.101, 64.101, 65, 301/64.201
See application file for complete search history.

D597,014 S *	7/2009	Nissl	D12/211
D604,685 S *	11/2009	Zhou et al.	D12/211
D608,710 S *	1/2010	Nissl	D12/209
D610,064 S *	2/2010	Dilber et al.	D12/211
D614,112 S *	4/2010	Tant et al.	D12/211
D625,245 S *	10/2010	Hans et al.	D12/211
D634,250 S *	3/2011	Matei et al.	D12/209
D636,716 S *	4/2011	Ettensberger	D12/211
D660,771 S *	5/2012	Mueller-Stolz	D12/211
D683,689 S *	6/2013	Fahr-Becker	D12/211
D684,914 S *	6/2013	Gotschke	D12/209
D691,543 S *	10/2013	Gordon	D12/209
D697,002 S *	1/2014	Tanevski	D12/209
D698,720 S *	2/2014	Farh-Becker	D12/211

* cited by examiner

Primary Examiner — Stacia Cadmus

(74) *Attorney, Agent, or Firm* — Christie, Parker & Hale, LLP

(57) **CLAIM**

The ornamental design for vehicle-wheel front face, as shown and described.

DESCRIPTION

FIG. 1 is a perspective view of a vehicle wheel front face according to my new design;
 FIG. 2 is a front elevational view thereof; and,
 FIG. 3 is a side elevational view thereof.
 The broken lines showing the side of the wheel and the bolts and center cap in the central hub area are included for the purpose of illustrating environment and form no part of the claimed design.

1 Claim, 3 Drawing Sheets

- (56) **References Cited**
U.S. PATENT DOCUMENTS
- | | | | |
|--------------|--------|------------------------|---------|
| D460,942 S * | 7/2002 | Lee | D12/211 |
| D474,440 S * | 5/2003 | Oh | D12/211 |
| D480,036 S * | 9/2003 | Laengerer | D12/211 |
| D506,172 S * | 6/2005 | Pfeiffer | D12/211 |
| D528,495 S * | 9/2006 | Truebsbach | D12/211 |
| D546,263 S * | 7/2007 | Hernandez | D12/211 |
| D593,017 S * | 5/2009 | Antoniadis et al. | D12/209 |

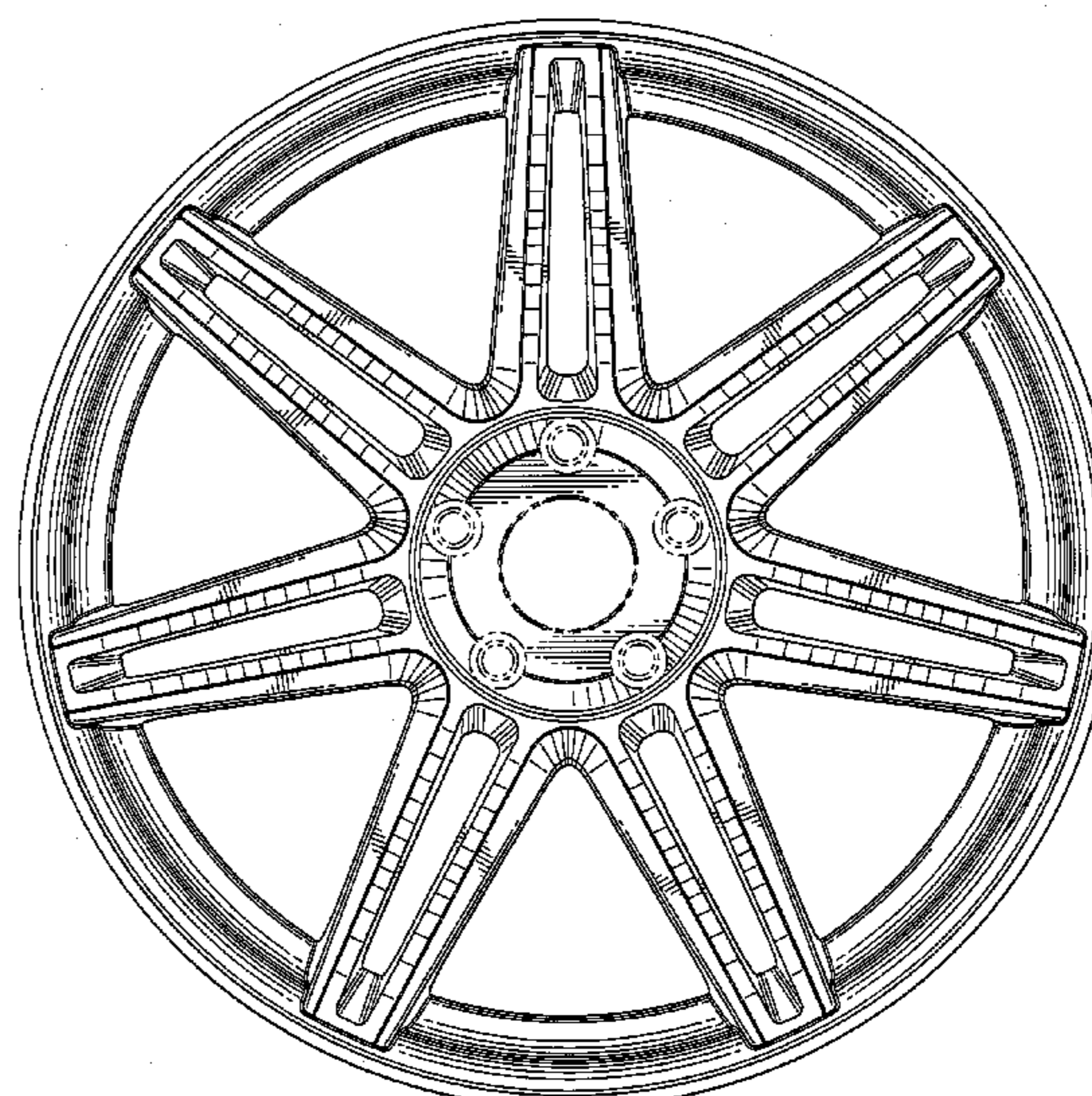
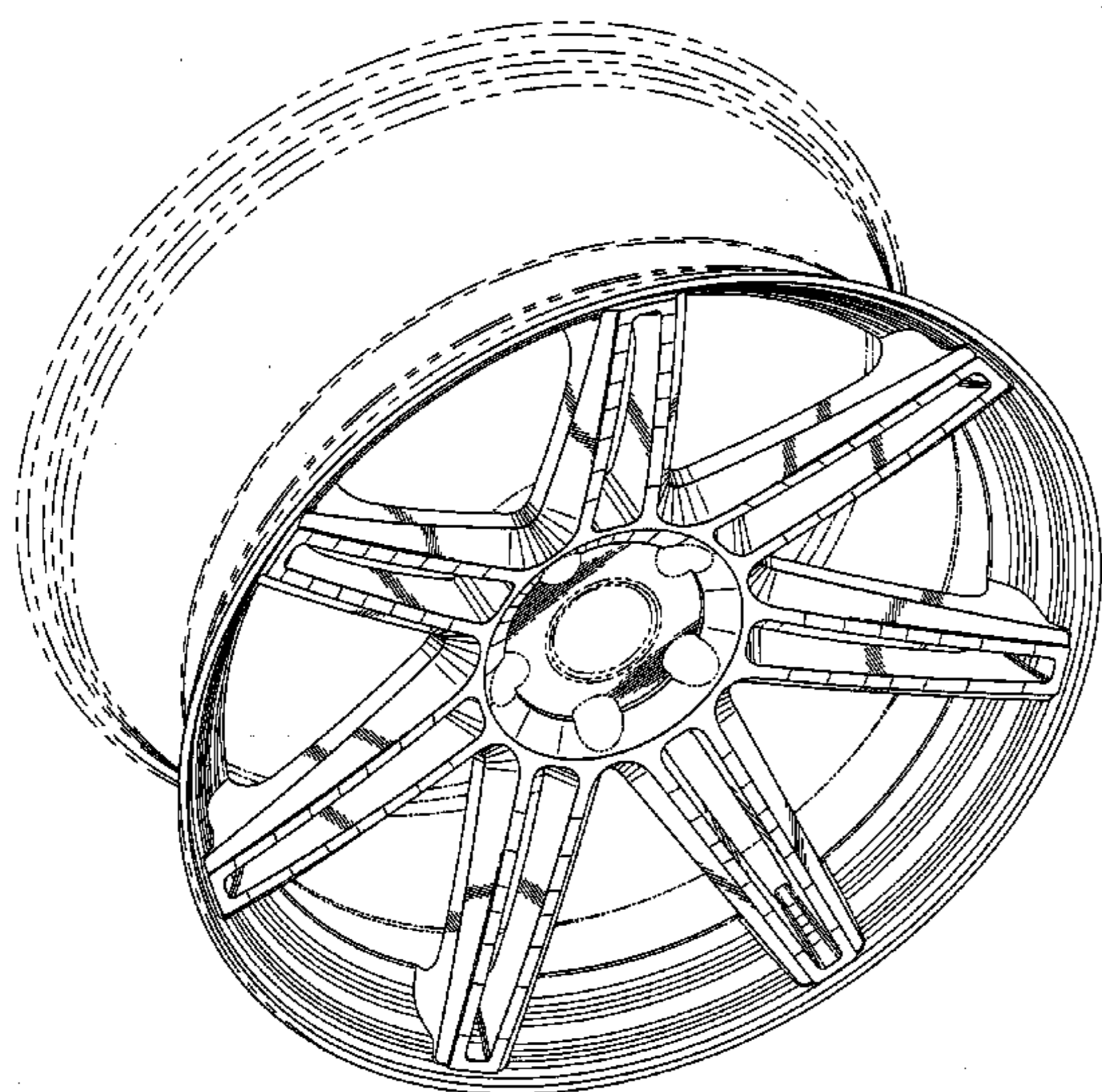


FIG. 1

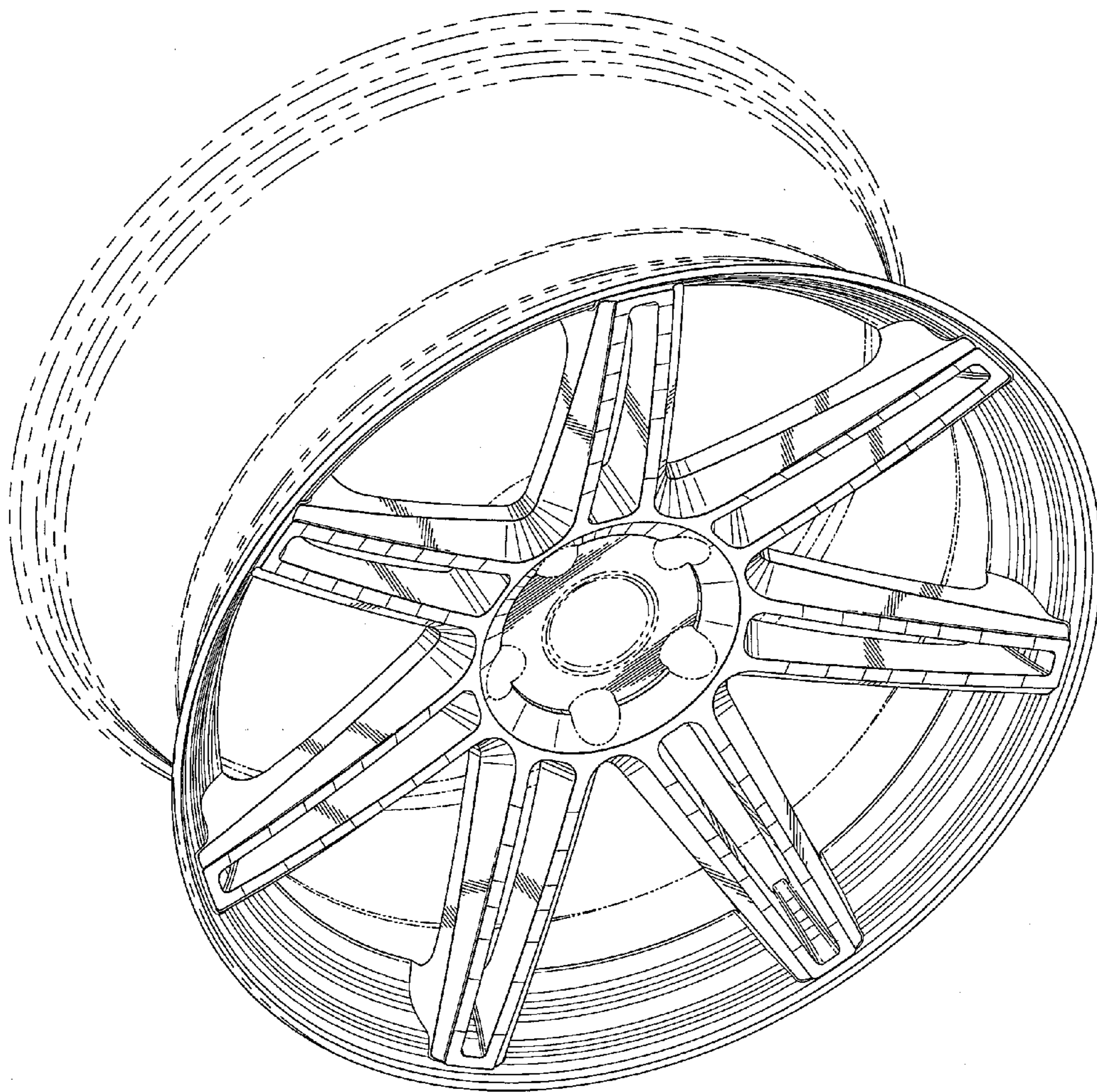


FIG. 2

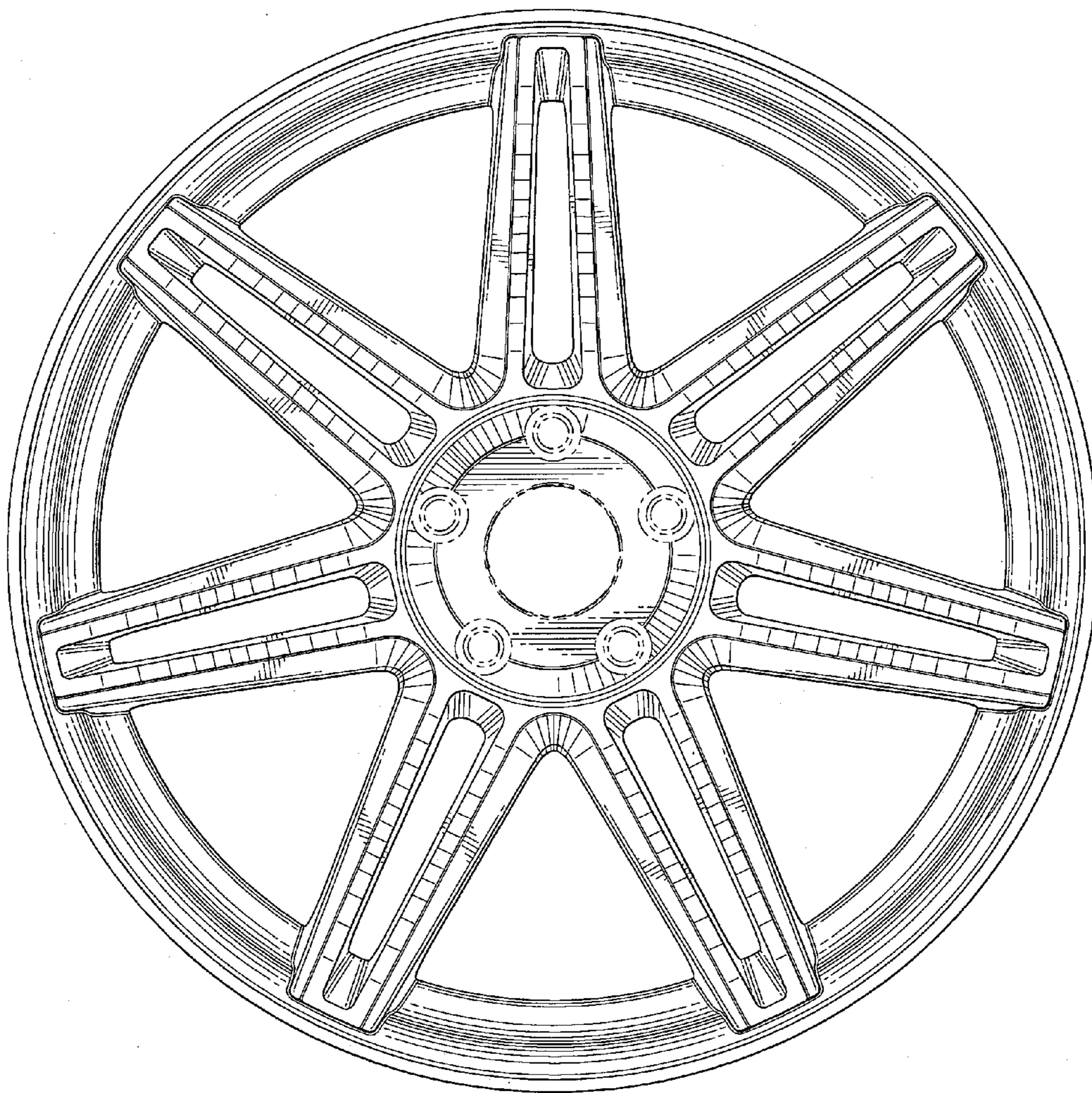


FIG. 3

