

US00D709017S

(12) **United States Design Patent**
Chung

(10) **Patent No.:** **US D709,017 S**
(45) **Date of Patent:** **** Jul. 15, 2014**

(54) **WHEEL**

(71) Applicant: **Suny Chung**, Yorba Linda, CA (US)

(72) Inventor: **Suny Chung**, Yorba Linda, CA (US)

(73) Assignee: **Wheel Pros, LLC**, Greenwood Village, CO (US)

(**) Term: **14 Years**

(21) Appl. No.: **29/475,754**

(22) Filed: **Dec. 6, 2013**

Related U.S. Application Data

(60) Continuation of application No. 29/439,753, filed on Dec. 14, 2012, now Pat. No. Des. 695,195, which is a division of application No. 29/435,797, filed on Oct. 29, 2012, now Pat. No. Des. 702,172.

(51) **LOC (10) Cl.** **12-16**

(52) **U.S. Cl.**
USPC **D12/211**

(58) **Field of Classification Search**
USPC D12/204-213; 301/37.101, 64.101, 65, 301/64.201
See application file for complete search history.

(56) **References Cited**

U.S. PATENT DOCUMENTS

D583,291 S * 12/2008 Treadway D12/211
D629,347 S * 12/2010 Kim D12/211
D639,221 S * 6/2011 Johnson D12/209

D659,067 S * 5/2012 Lee D12/209
D669,009 S * 10/2012 Chung D12/211
D671,483 S * 11/2012 Chung D12/211
D680,940 S * 4/2013 Hale, Jr. D12/211
D681,534 S * 5/2013 Zhao D12/211
D686,963 S * 7/2013 Hale, Jr. D12/211
D691,545 S * 10/2013 Gordon D12/211
D695,193 S * 12/2013 Kong D12/211
D695,195 S * 12/2013 Chung D12/211
D698,300 S * 1/2014 Chung D12/211
D699,173 S * 2/2014 Zhao D12/211
D702,172 S * 4/2014 Chung D12/211

* cited by examiner

Primary Examiner — Stacia Cadmus

(74) *Attorney, Agent, or Firm* — Garcia-Zamor IP Law; Ruy M. Garcia-Zamor

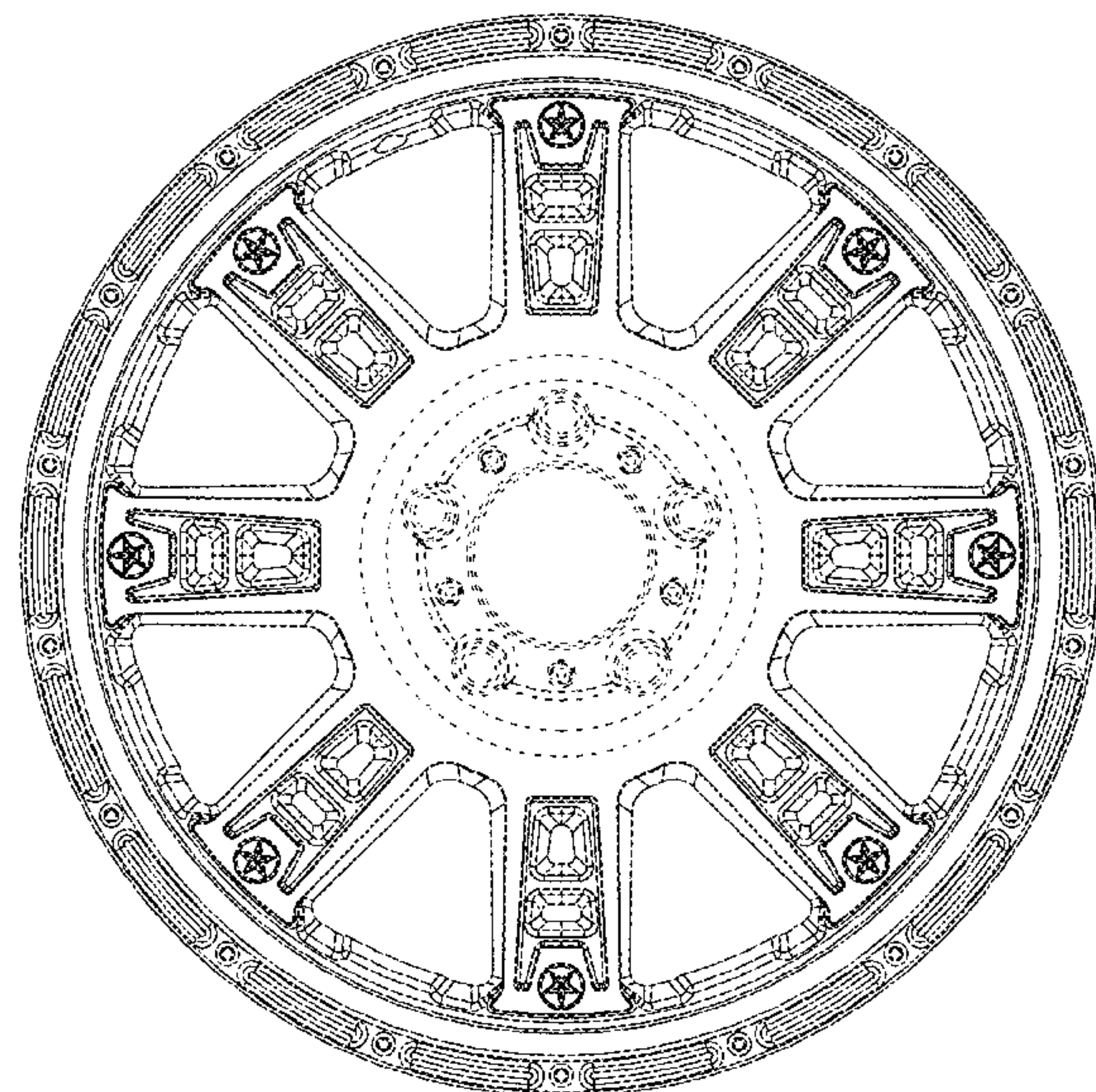
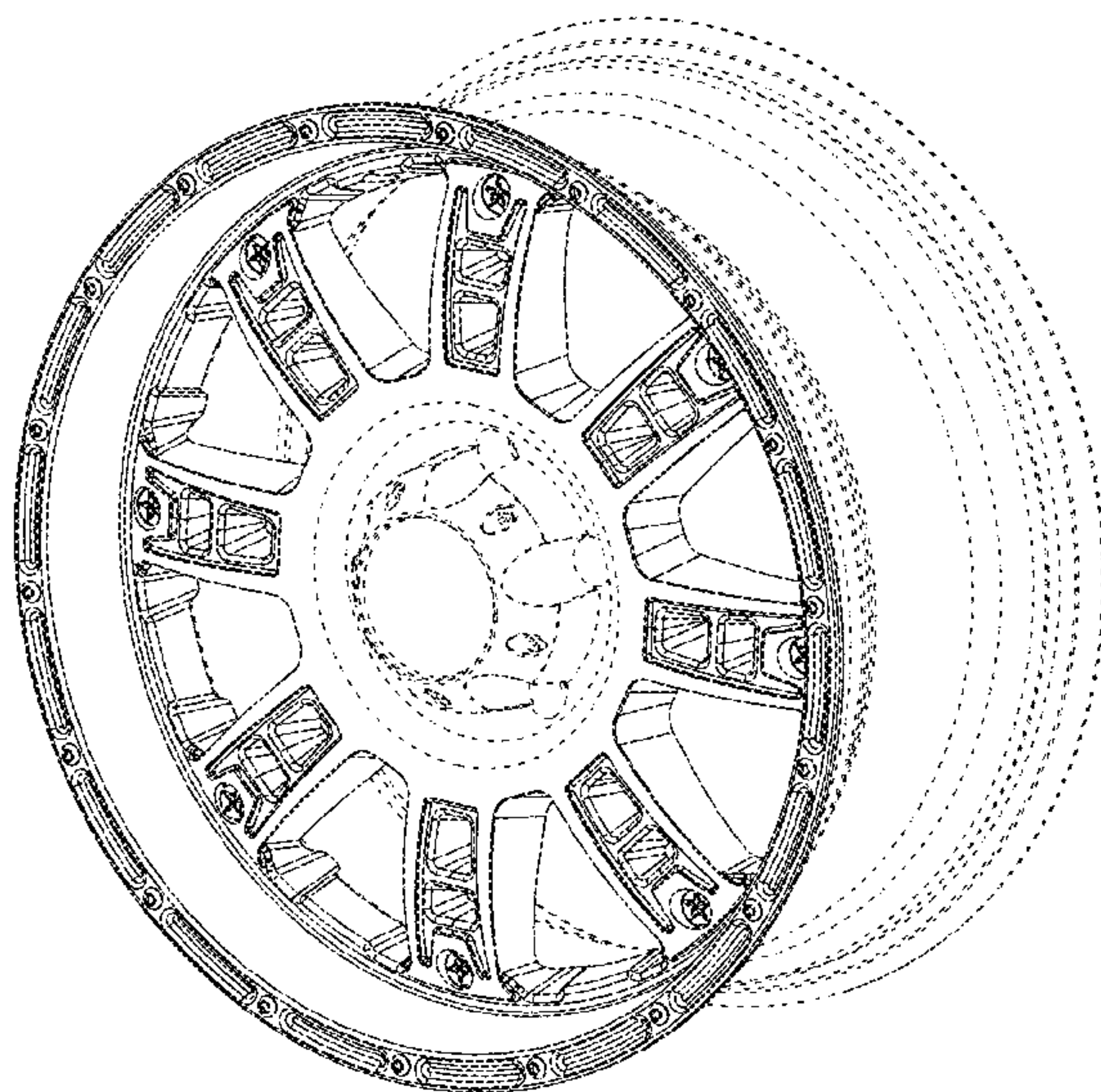
(57) **CLAIM**

The ornamental design for a wheel, as shown and described.

DESCRIPTION

FIG. 1 is a perspective view of a wheel showing my new design; and, FIG. 2 is a front elevational view of the wheel of FIG. 1, those features not shown in the views of FIGS. 1 and 2 are disclaimed as forming no part of the claimed design. The broken lines in FIGS. 1 and 2 represent environment and are for illustrative purposes only and do not constitute part of the claimed design.

1 Claim, 2 Drawing Sheets



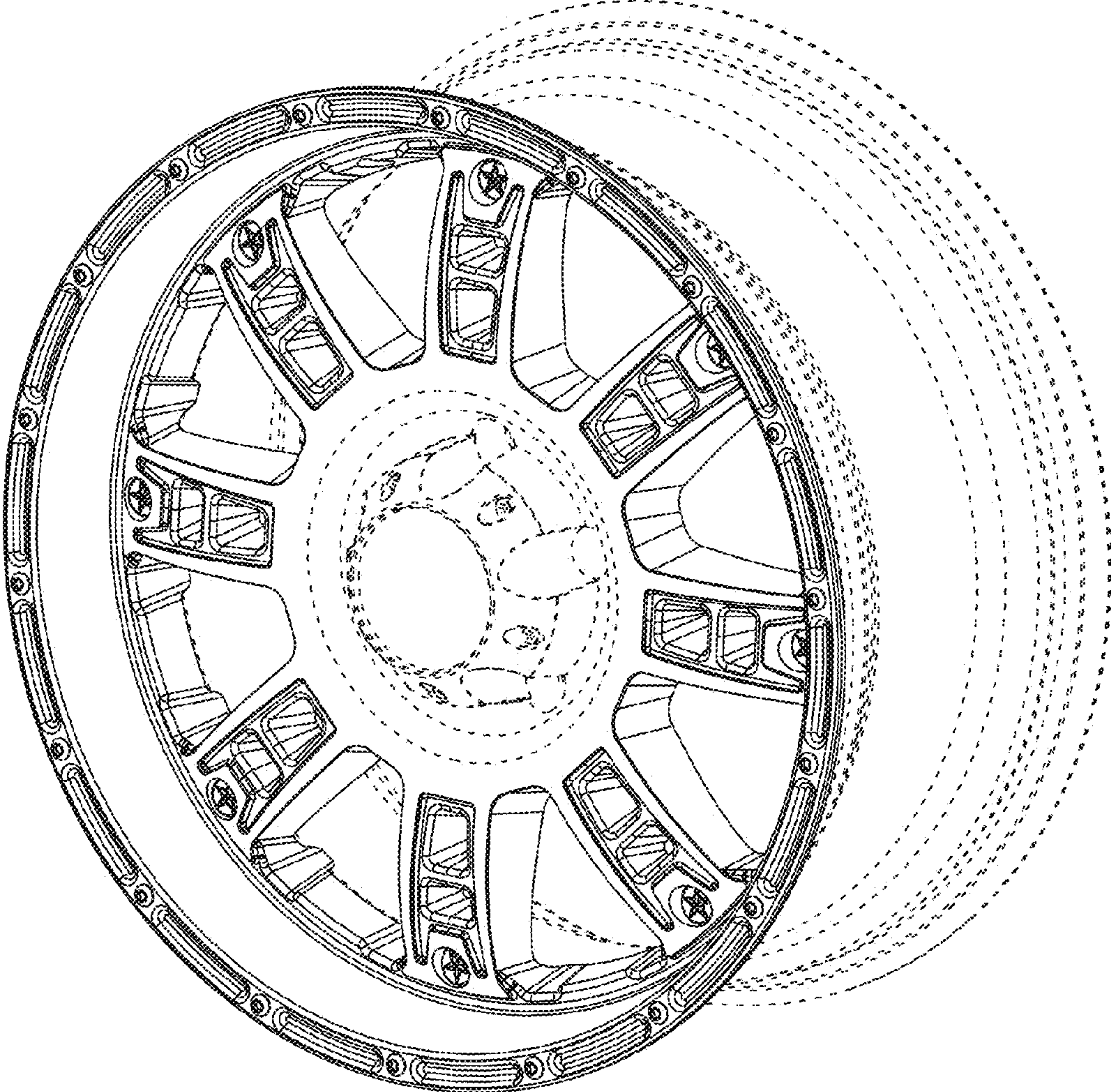


FIG. 1

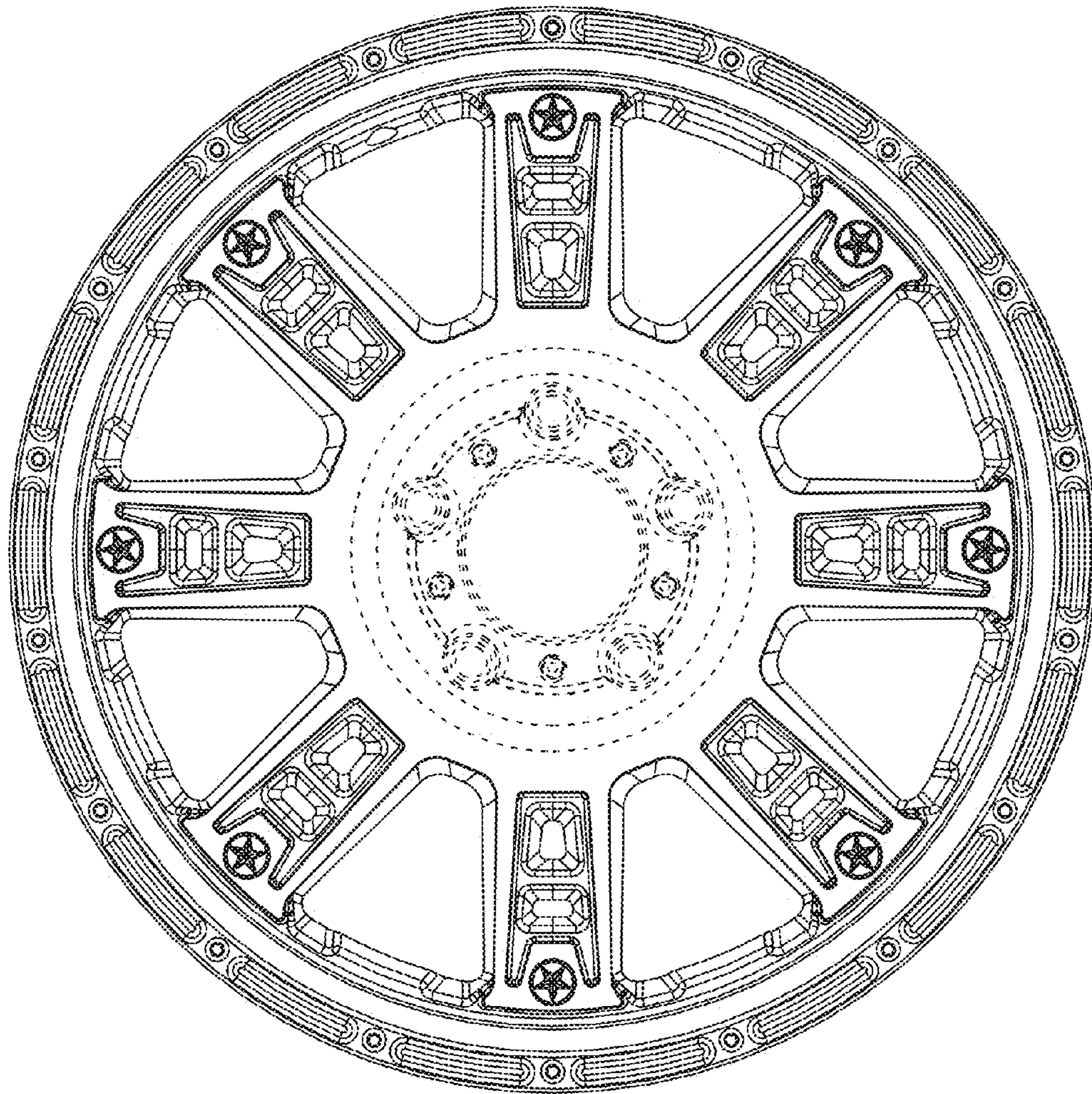


FIG. 2