



US00D709015S

(12) **United States Design Patent**  
**Smith**

(10) **Patent No.:** **US D709,015 S**  
(45) **Date of Patent:** **\*\* Jul. 15, 2014**

- (54) **WHEEL**
- (71) Applicant: **Michael Glenn Smith**, Prosper, TX (US)
- (72) Inventor: **Michael Glenn Smith**, Prosper, TX (US)
- (\*\*) Term: **14 Years**
- (21) Appl. No.: **29/466,161**
- (22) Filed: **Sep. 5, 2013**
- (51) **LOC (10) Cl.** ..... **12-16**
- (52) **U.S. Cl.**  
USPC ..... **D12/209**
- (58) **Field of Classification Search**  
USPC ..... D12/204-213; 301/37.101, 64.101, 65,  
301/64.201  
See application file for complete search history.

(56) **References Cited**

**U.S. PATENT DOCUMENTS**

D446,762 S *	8/2001	Hussaini et al.	.....	D12/209
D457,849 S *	5/2002	Kataoka	.....	D12/209
D470,448 S *	2/2003	Kataoka	.....	D12/211
D480,346 S *	10/2003	Kataoka	.....	D12/209
D519,901 S *	5/2006	Panano	.....	D12/209
D571,274 S *	6/2008	Chung	.....	D12/209

D574,762 S *	8/2008	Kim	.....	D12/209
D593,920 S *	6/2009	Juergens et al.	.....	D12/209
D608,710 S *	1/2010	Nissl	.....	D12/209
D671,059 S *	11/2012	Pollmann	.....	D12/209
D680,934 S *	4/2013	Eda	.....	D12/209

\* cited by examiner

*Primary Examiner* — Stacia Cadmus

(74) *Attorney, Agent, or Firm* — QuickPatents; Kevin Prince

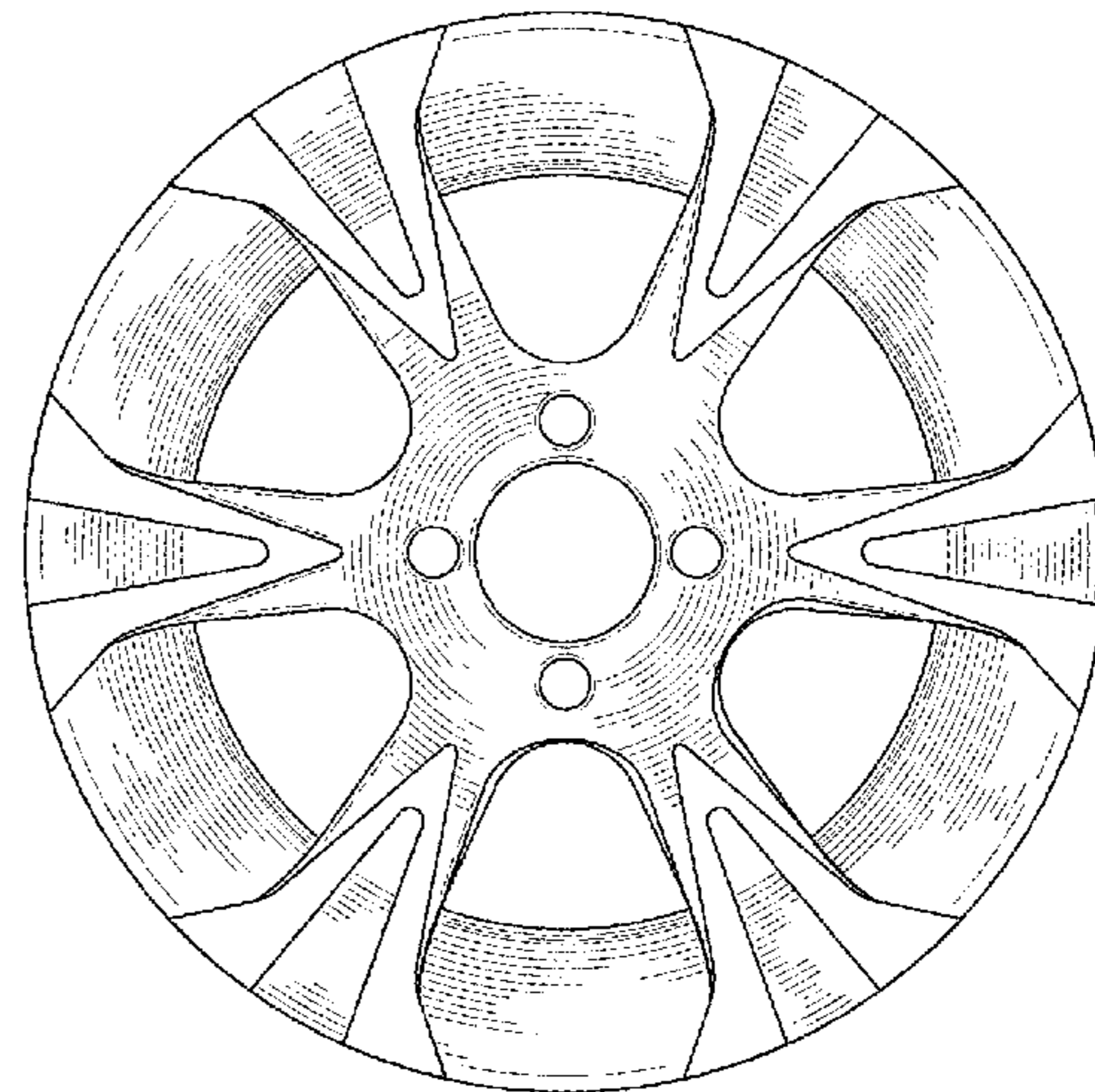
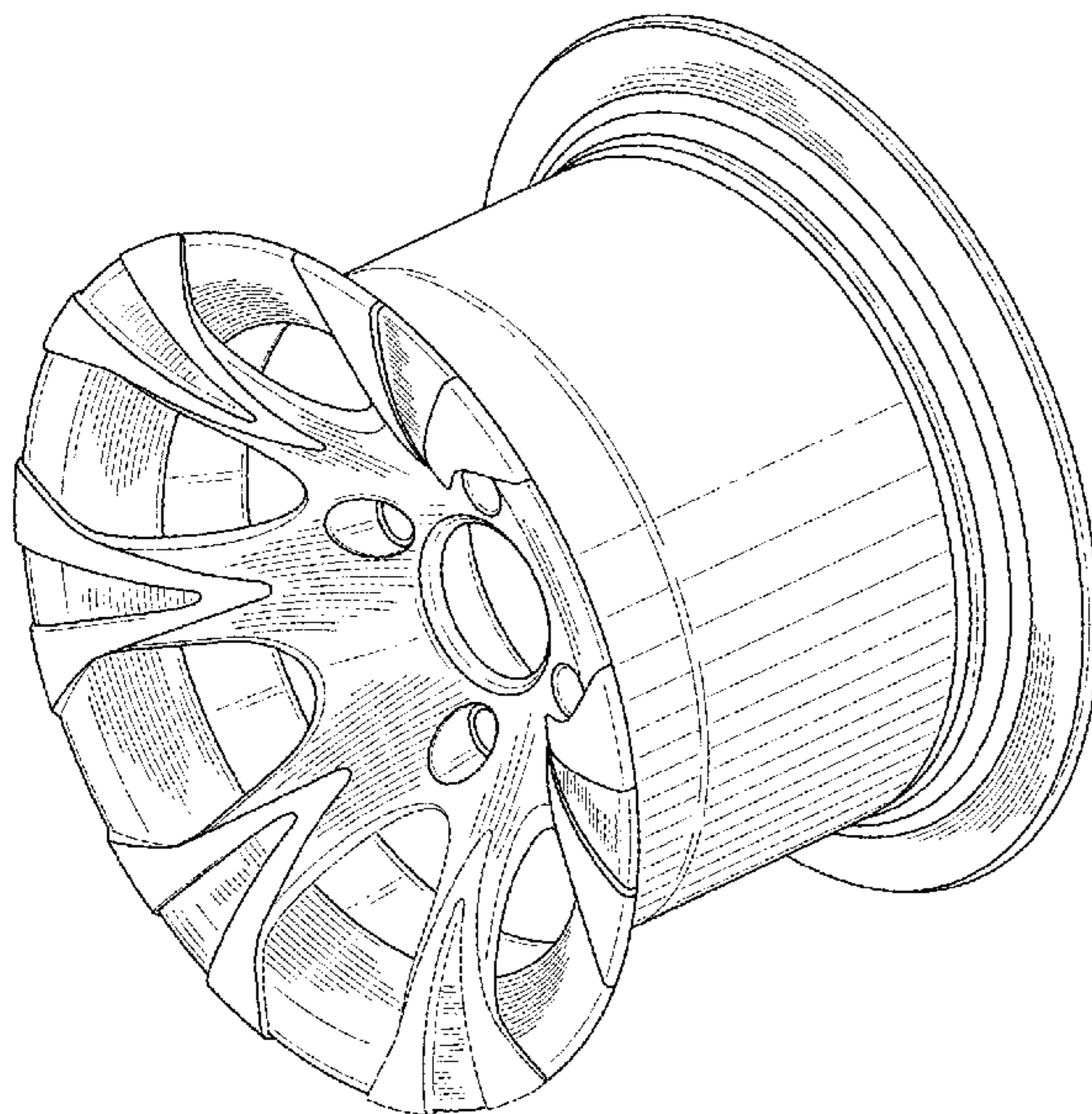
(57) **CLAIM**

I claim the ornamental design for a wheel, as shown and described.

**DESCRIPTION**

FIG. 1 is a perspective view of a wheel, showing my new design;  
 FIG. 2 is a top plan view thereof, the bottom plan view being a mirror image thereof;  
 FIG. 3 is a front elevational view thereof;  
 FIG. 4 is a rear elevational view thereof; and,  
 FIG. 5 is a rear perspective view thereof.  
 The areas of the ends of the spokes with no surface shading are understood to represent a contrasting color to the other areas of the wheel.

**1 Claim, 3 Drawing Sheets**



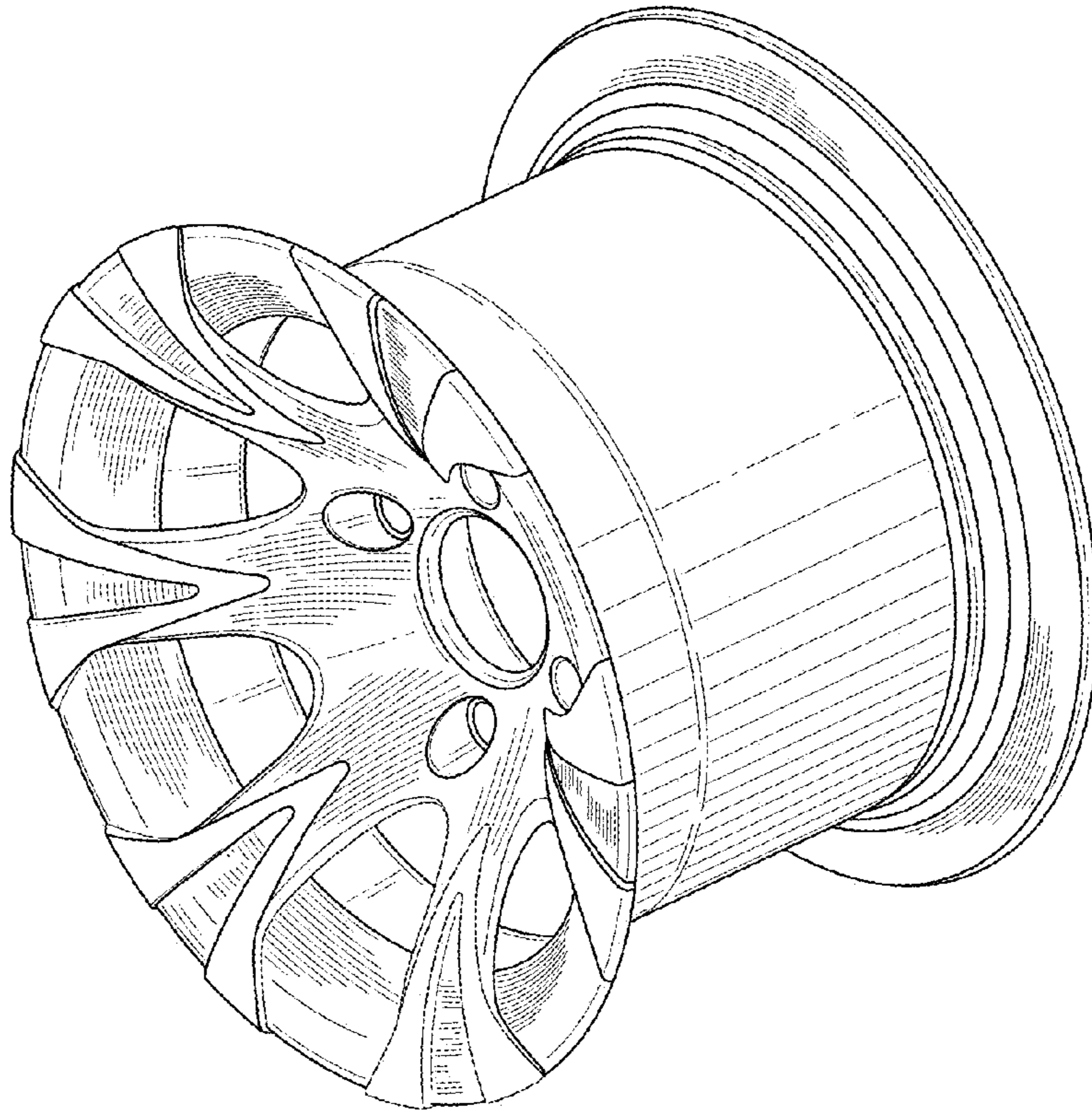


FIG. 1

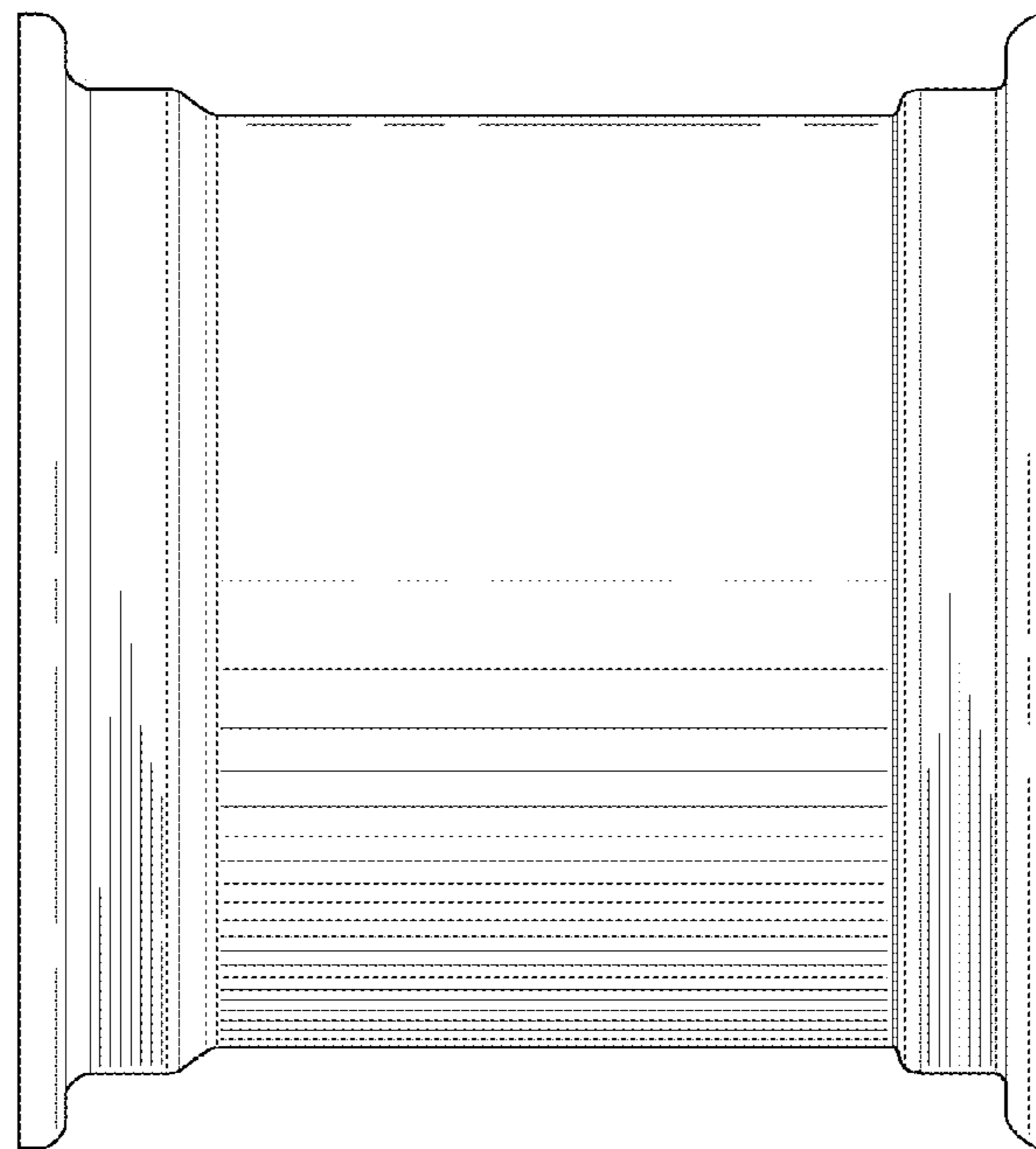


FIG. 2

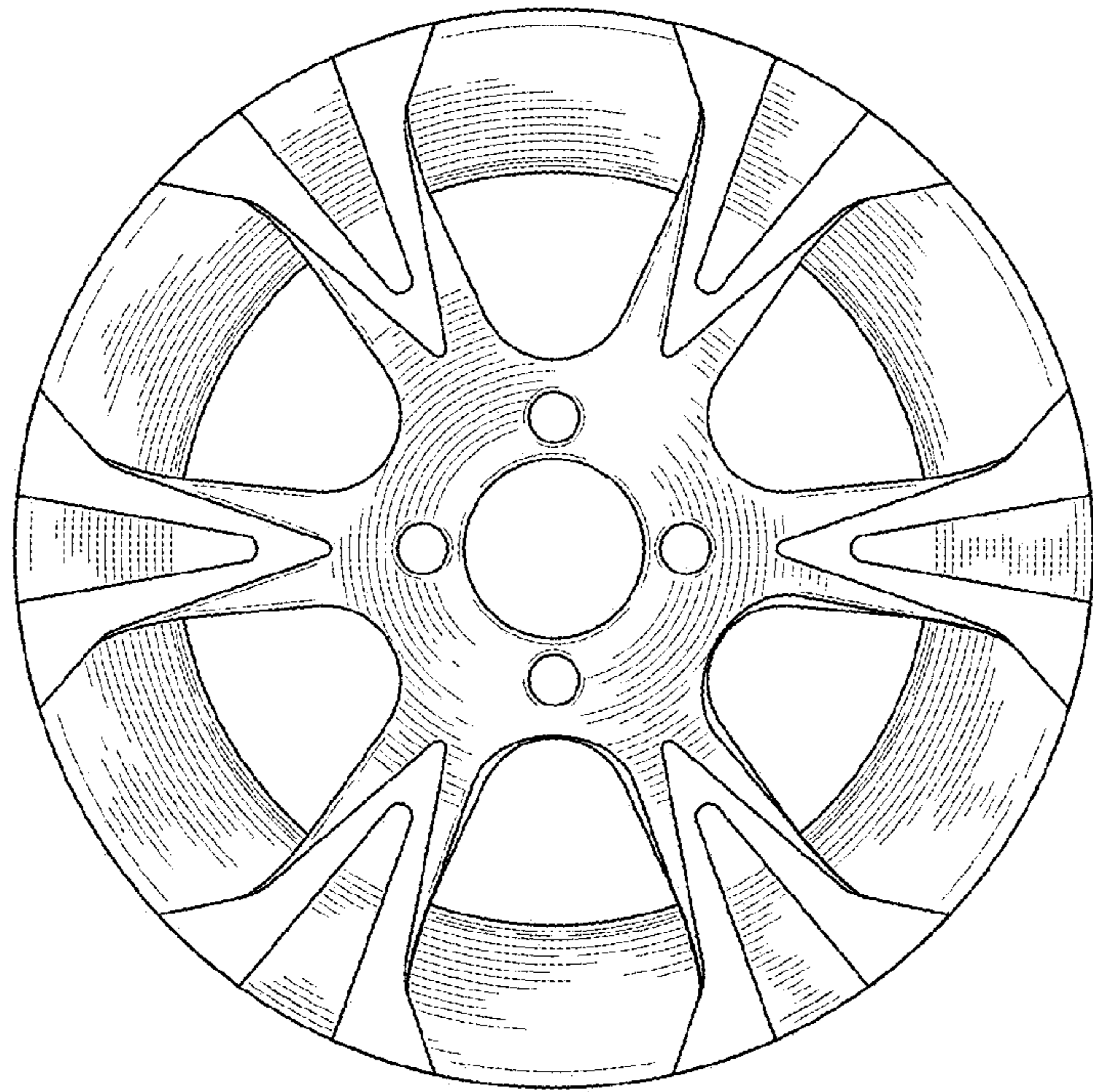


FIG. 3

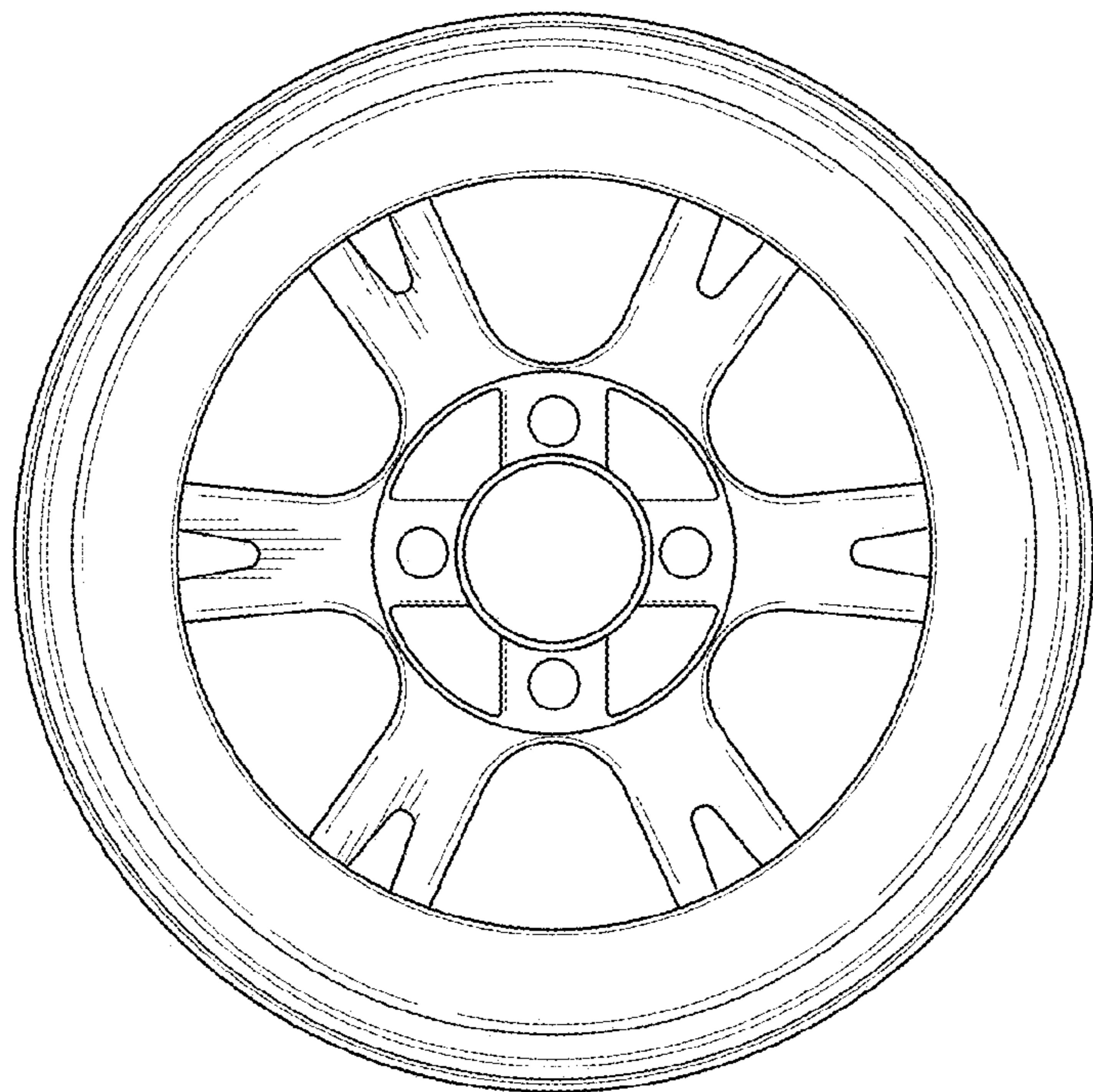


FIG. 4

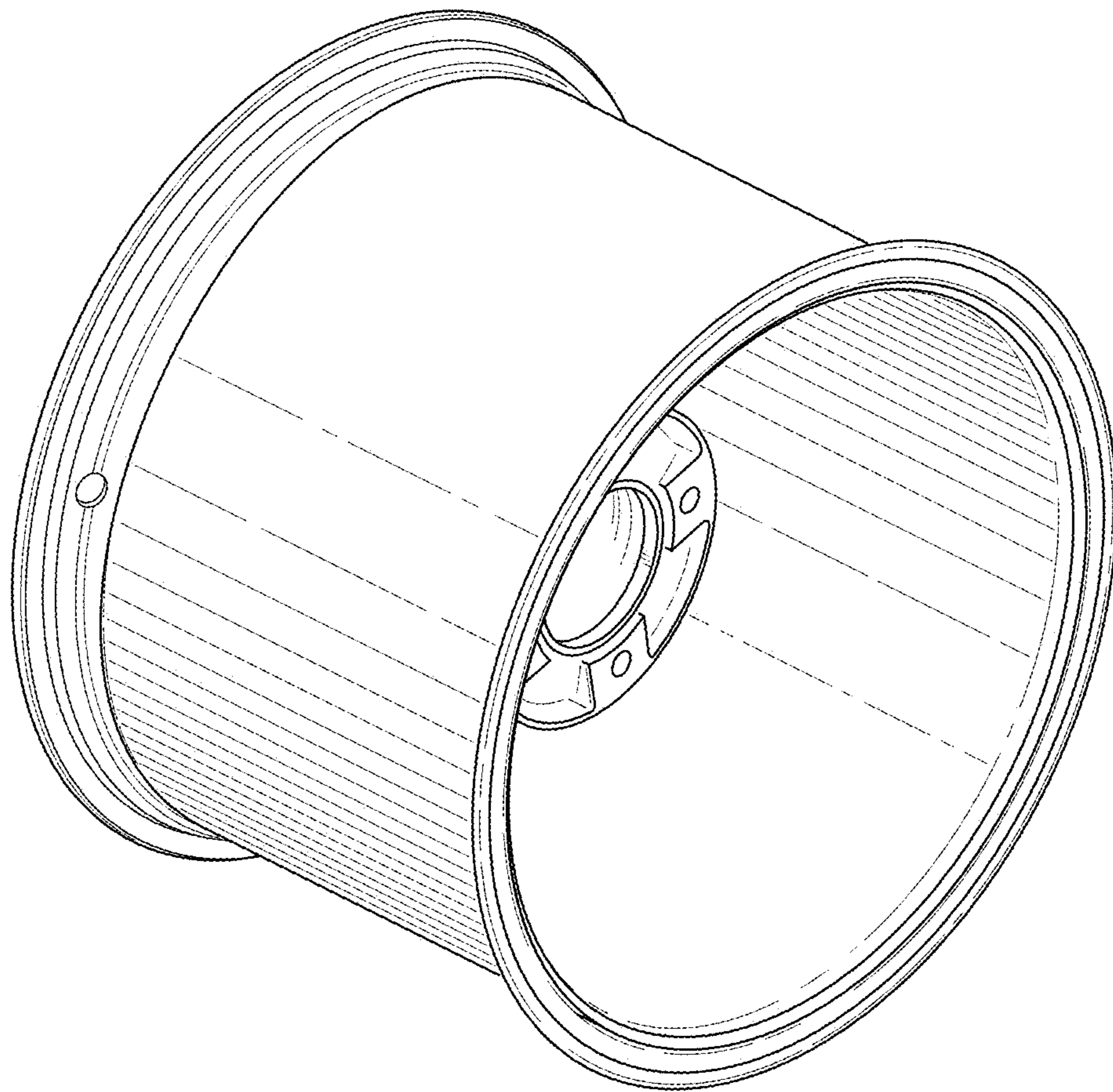


FIG. 5