



US00D708994S

(12) **United States Design Patent**  
**Thurber**

(10) **Patent No.:** **US D708,994 S**

(45) **Date of Patent:** **\*\* Jul. 15, 2014**

(54) **VEHICLE REAR FASCIA**  
(75) Inventor: **Joshua L. Thurber**, New Baltimore, MI (US)

(73) Assignee: **GM Global Technology Operations LLC**, Detroit, MI (US)

(\*\*) Term: **14 Years**

(21) Appl. No.: **29/413,167**

(22) Filed: **Feb. 13, 2012**

(51) **LOC (10) Cl.** ..... **12-16**

(52) **U.S. Cl.**  
USPC ..... **D12/169**

(58) **Field of Classification Search**  
USPC ..... D12/86, 90, 91, 92, 163, 169, 171, 196,  
D12/216; 293/102, 113, 115, 117, 120;  
296/180.1, 180.2  
See application file for complete search history.

(56) **References Cited**

**U.S. PATENT DOCUMENTS**

6,520,553 B2 \* 2/2003 Muramatsu ..... 293/155  
D583,725 S \* 12/2008 Schiavone et al. .... D12/169  
D590,308 S \* 4/2009 Futschik et al. .... D12/169

D592,570 S \* 5/2009 Lamm ..... D12/169  
D603,311 S \* 11/2009 Schiavone et al. .... D12/169  
D619,509 S \* 7/2010 Choi et al. .... D12/164  
D626,470 S \* 11/2010 Komuro ..... D12/169  
D653,593 S \* 2/2012 Nishihama ..... D12/169  
D659,610 S \* 5/2012 Tanaka ..... D12/169  
D671,049 S \* 11/2012 Davidson et al. .... D12/169  
D671,054 S \* 11/2012 Yamada et al. .... D12/169  
D673,088 S \* 12/2012 Thompson ..... D12/169  
D675,140 S \* 1/2013 Ohkoshi ..... D12/169

\* cited by examiner

*Primary Examiner* — Phillip S Hyder

*Assistant Examiner* — Darlington Ly

(74) *Attorney, Agent, or Firm* — Parks IP Law LLC; Mickki D. Murray, Esq.; Tiffany Norris Logan, Esq.

(57) **CLAIM**

I claim the ornamental design for a vehicle rear fascia, as shown and described.

**DESCRIPTION**

FIG. 1 is perspective view of a vehicle rear fascia showing the new design;

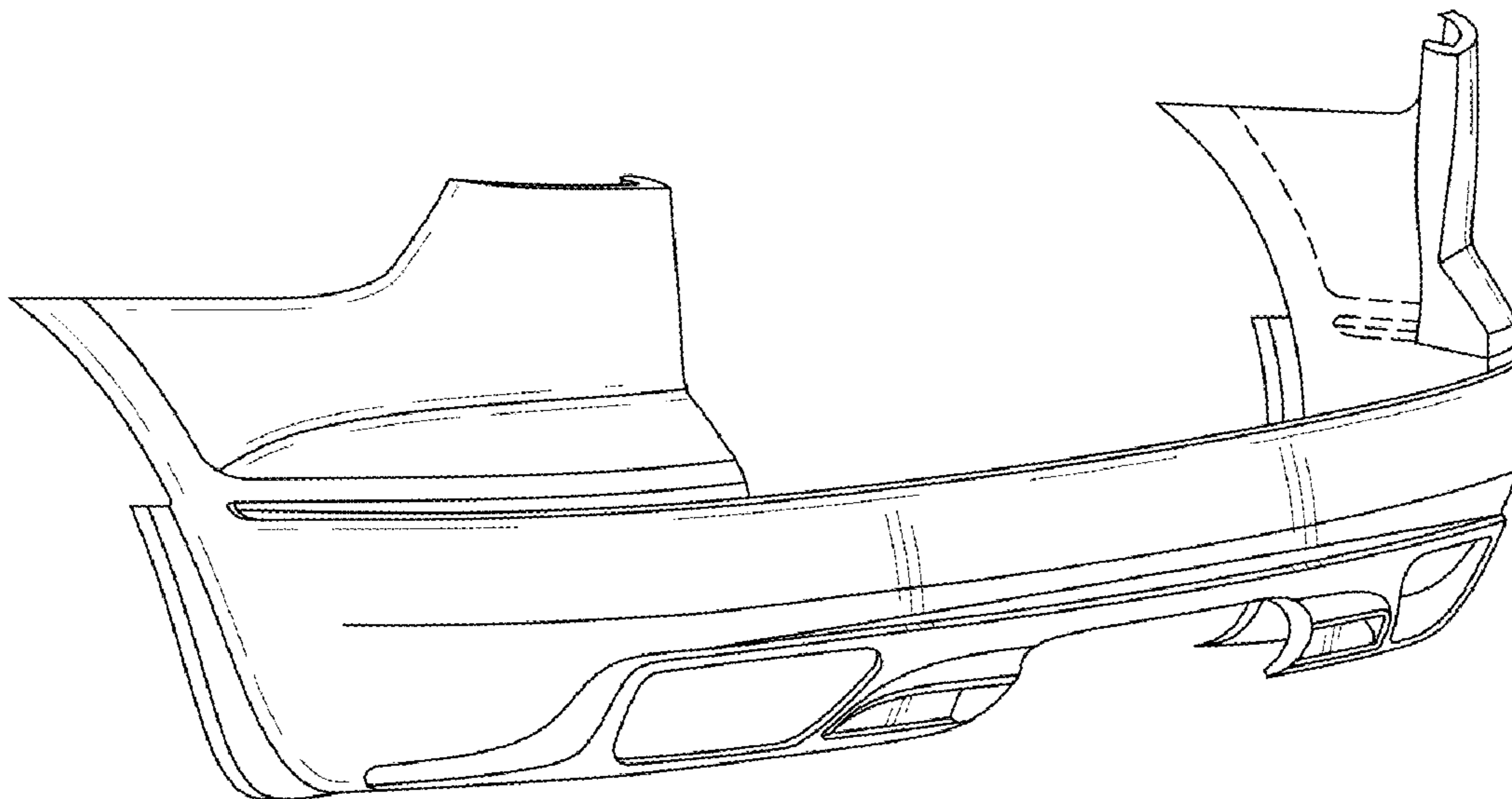
FIG. 2 is a front view, thereof;

FIG. 3 is a side view, thereof; and,

FIG. 4 is a top plan view, thereof.

The broken lines shown in the drawings illustrate portions of the vehicle rear fascia that form no part of claimed design.

**1 Claim, 1 Drawing Sheet**



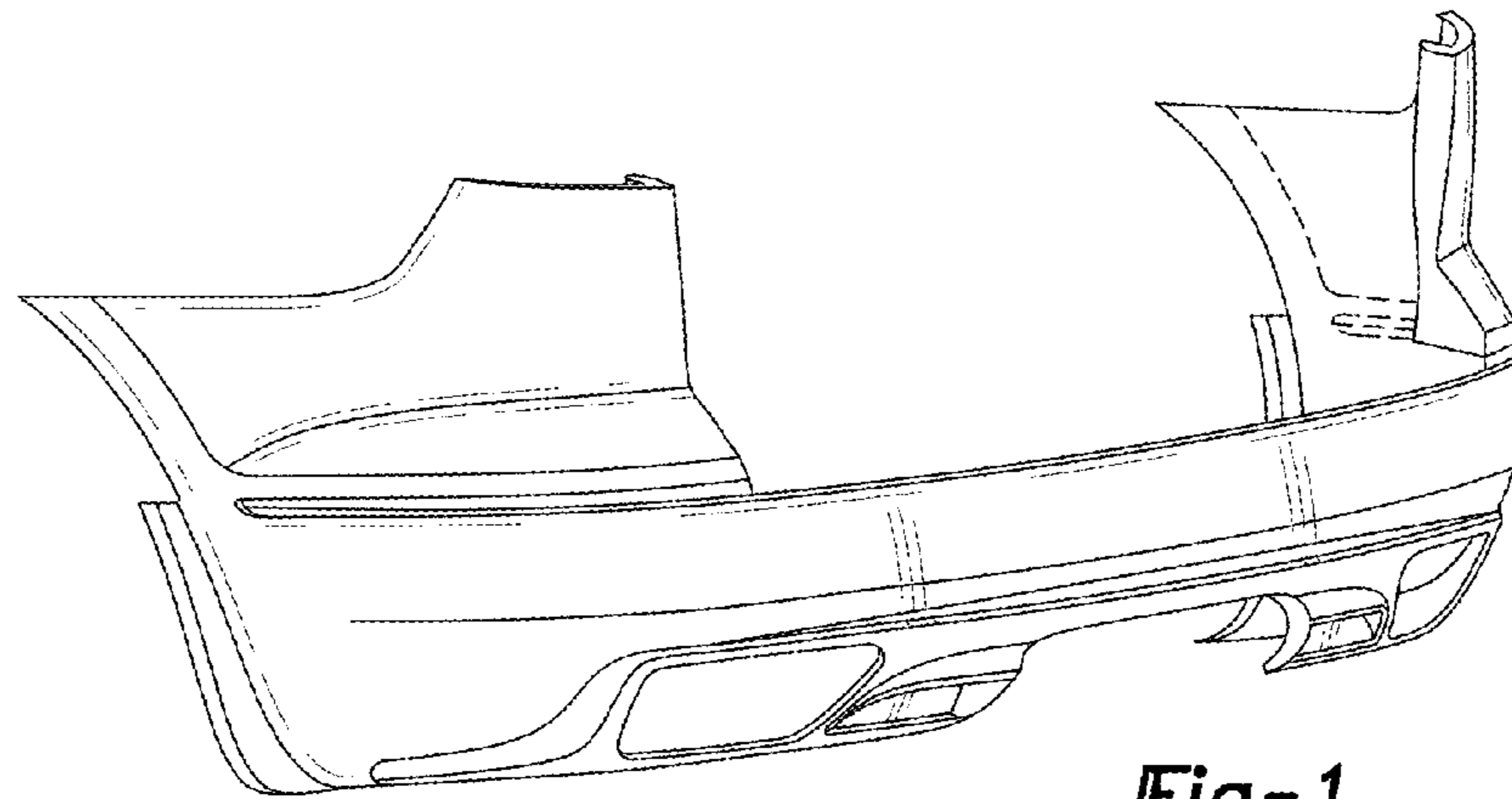


Fig-1

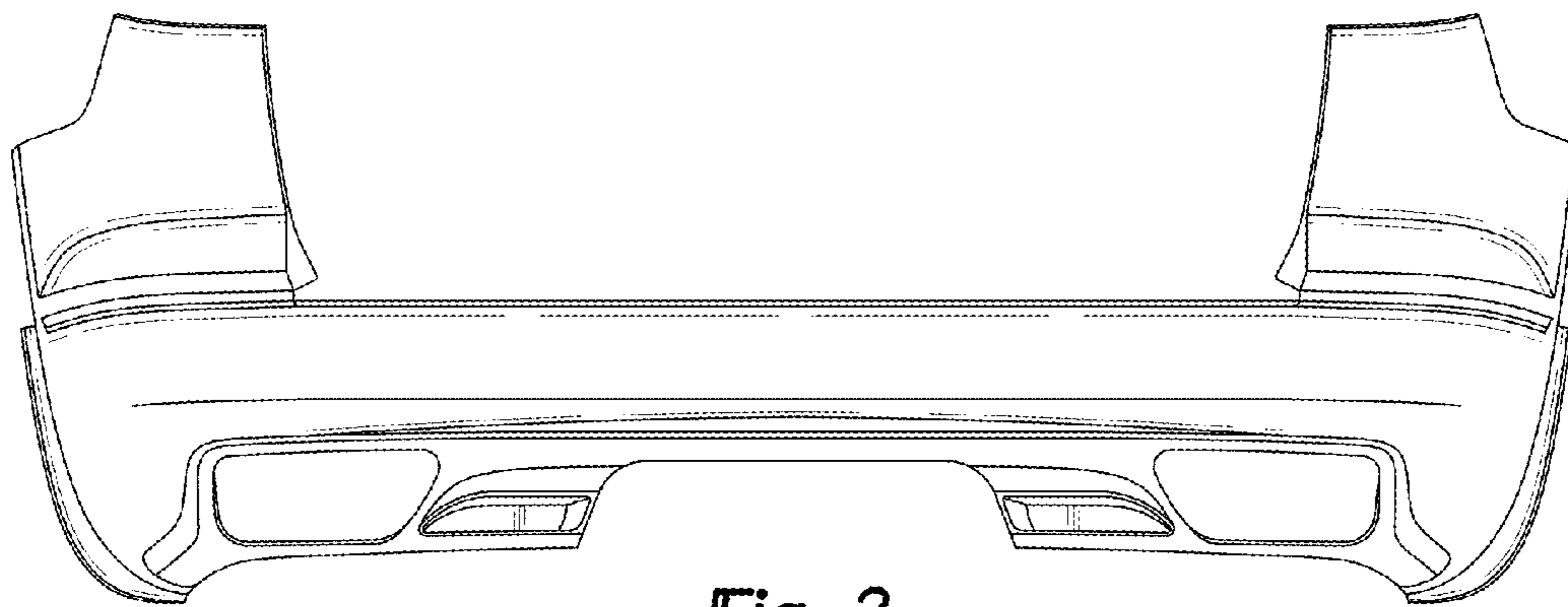


Fig-2

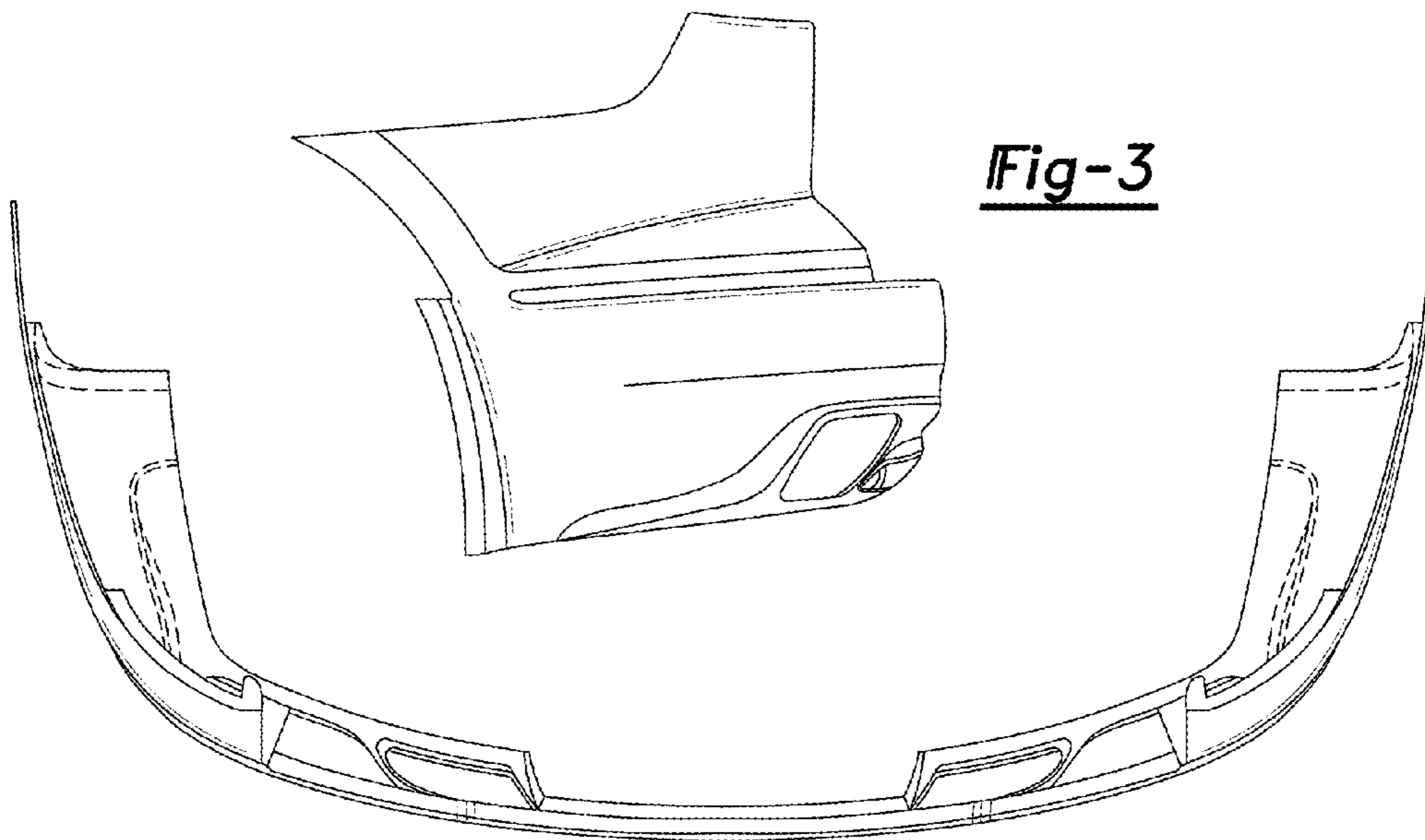


Fig-3

Fig-4