



US00D708993S

(12) **United States Design Patent**  
**Mays et al.**

(10) **Patent No.:** **US D708,993 S**  
(45) **Date of Patent:** **\*\* Jul. 15, 2014**

- (54) **VEHICLE GRILLE**
- (71) Applicant: **Ford Motor Company**, Dearborn, MI (US)
- (72) Inventors: **J C. Mays**, Bloomfield Hills, MI (US);  
**Moray S. Callum**, Ann Arbor, MI (US);  
**Joel Piaskowski**, Brighton (AU); **Kemal Curic**, West Bloomfield, MI (US)
- (73) Assignee: **Ford Motor Company**, Dearborn, MI (US)
- (\*\*) Term: **14 Years**
- (21) Appl. No.: **29/472,613**
- (22) Filed: **Nov. 14, 2013**

**Related U.S. Application Data**

- (63) Continuation of application No. 29/464,744, filed on Aug. 20, 2013.
- (51) **LOC (10) Cl.** ..... **12-16**
- (52) **U.S. Cl.**  
USPC ..... **D12/163**
- (58) **Field of Classification Search**  
CPC B60R 19/52; B60R 2019/525; B60K 11/085;  
B62D 25/084; H01Q 1/32  
USPC ..... D12/86, 90, 91, 92, 163, 169, 196, 171,  
D12/216; 180/68.1, 68.6; 296/193.11  
See application file for complete search history.

(56) **References Cited**

**U.S. PATENT DOCUMENTS**

6,328,358 B1 \* 12/2001 Berweiler ..... 293/115  
D560,572 S \* 1/2008 Okamoto et al. .... D12/163

D573,924 S *	7/2008	Tachibana	.....	D12/163
D584,196 S *	1/2009	Ebel et al.	.....	D12/163
D584,197 S *	1/2009	Song et al.	.....	D12/163
D584,198 S *	1/2009	Tamura	.....	D12/163
D586,267 S *	2/2009	Ebel et al.	.....	D12/163
D592,564 S *	5/2009	Kusamoto et al.	.....	D12/163
D602,820 S *	10/2009	Yukawa et al.	.....	D12/163
D665,313 S *	8/2012	Asakura	.....	D12/163
D668,590 S *	10/2012	Furst et al.	.....	D12/163
D670,620 S *	11/2012	Frei et al.	.....	D12/163
2013/0119709 A1 *	5/2013	Guenther et al.	.....	296/193.1

**FOREIGN PATENT DOCUMENTS**

JP	2012126270 A *	7/2012	.....	B60R 19/52
JP	2013166502 A *	8/2013	.....	B60R 19/52
WO	WO 2007090572 A1 *	8/2007	.....	B60R 19/52

\* cited by examiner

*Primary Examiner* — Philip S Hyder

*Assistant Examiner* — Darlington Ly

(74) *Attorney, Agent, or Firm* — Damian Porcari

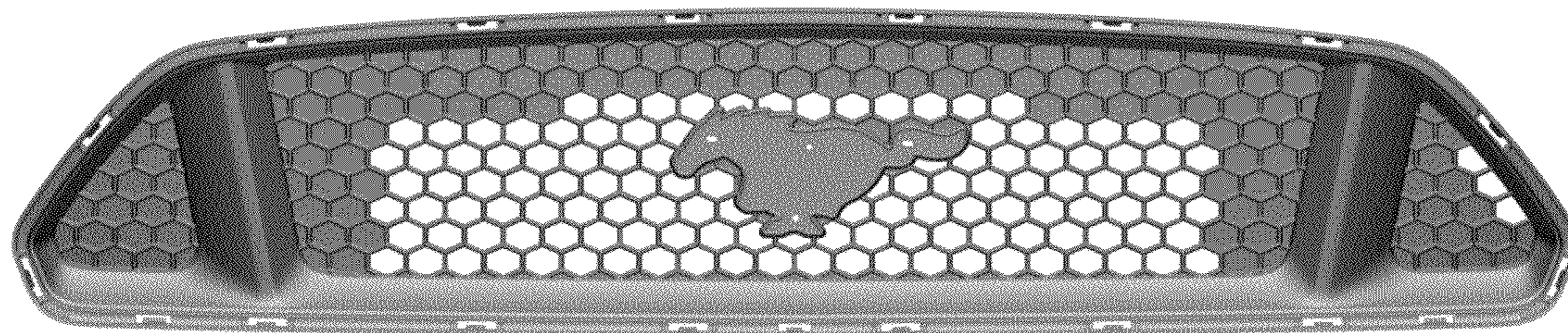
(57) **CLAIM**

The ornamental design for a vehicle grille, as shown and described.

**DESCRIPTION**

FIG. 1 is a top plan view of a vehicle grille;  
FIG. 2 is a bottom plan view thereof;  
FIG. 3 is a front elevational view thereof;  
FIG. 4 is a rear elevational view thereof;  
FIG. 5 is a left side elevational view thereof;  
FIG. 6 is a right side elevational view thereof;  
FIG. 7 is a top left side perspective view thereof; and,  
FIG. 8 is top right side perspective view thereof.

**1 Claim, 8 Drawing Sheets**



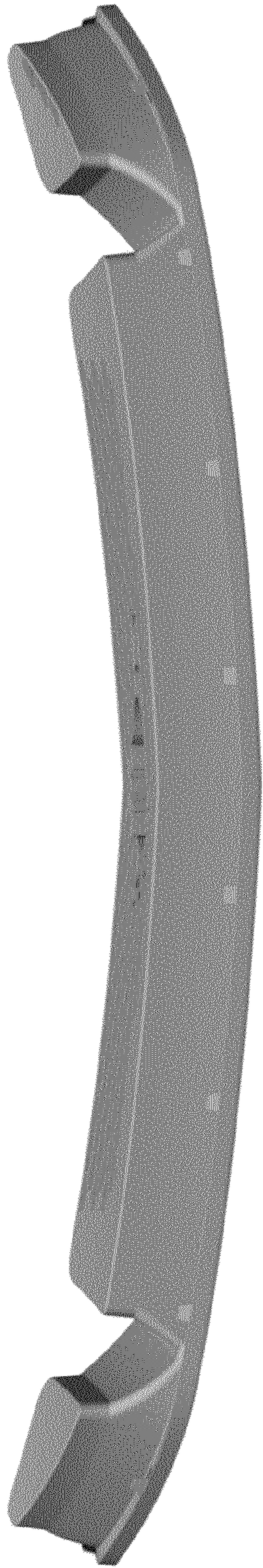


Figure 1

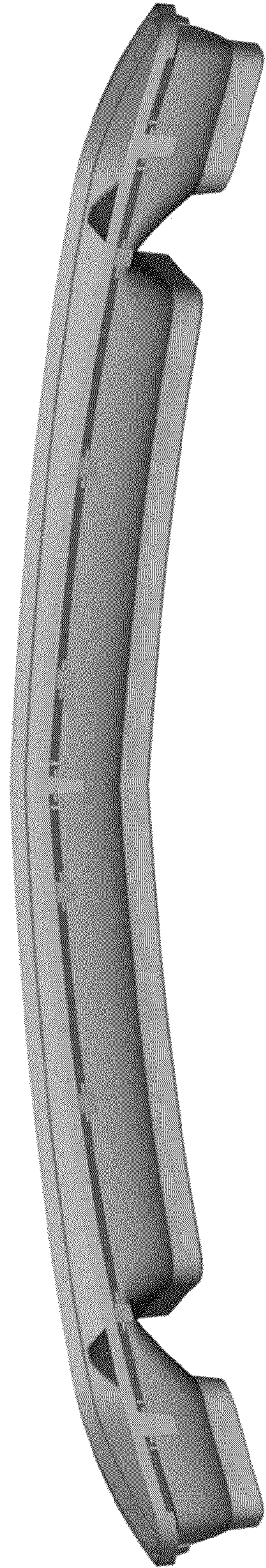


Figure 2

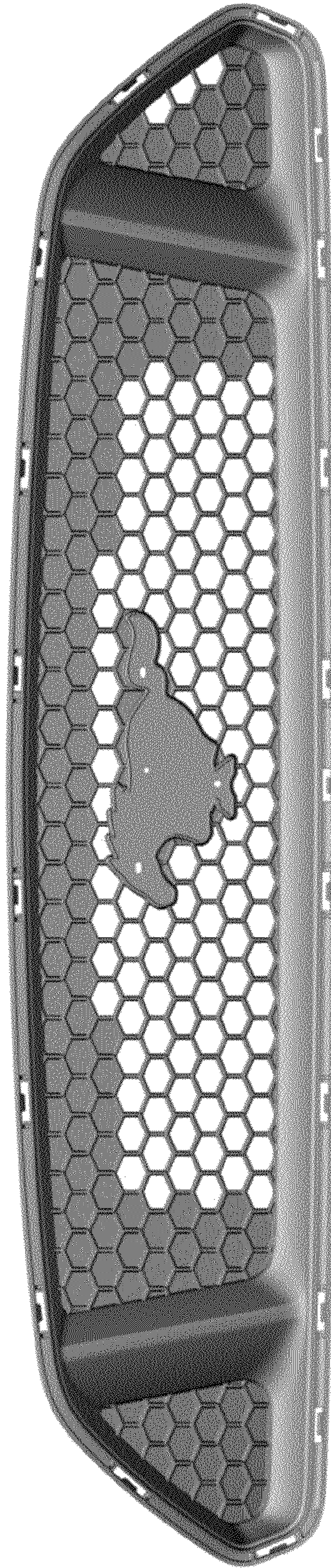


Figure 3

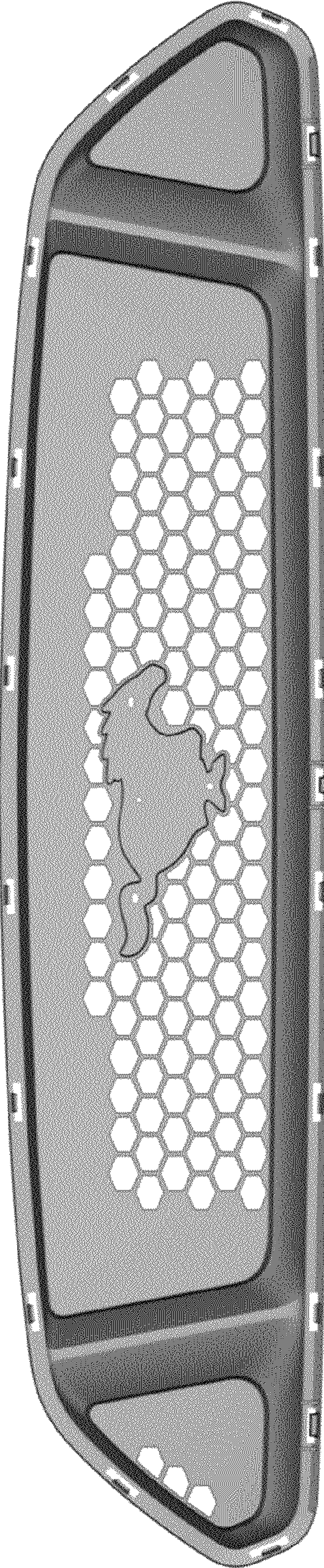


Figure 4

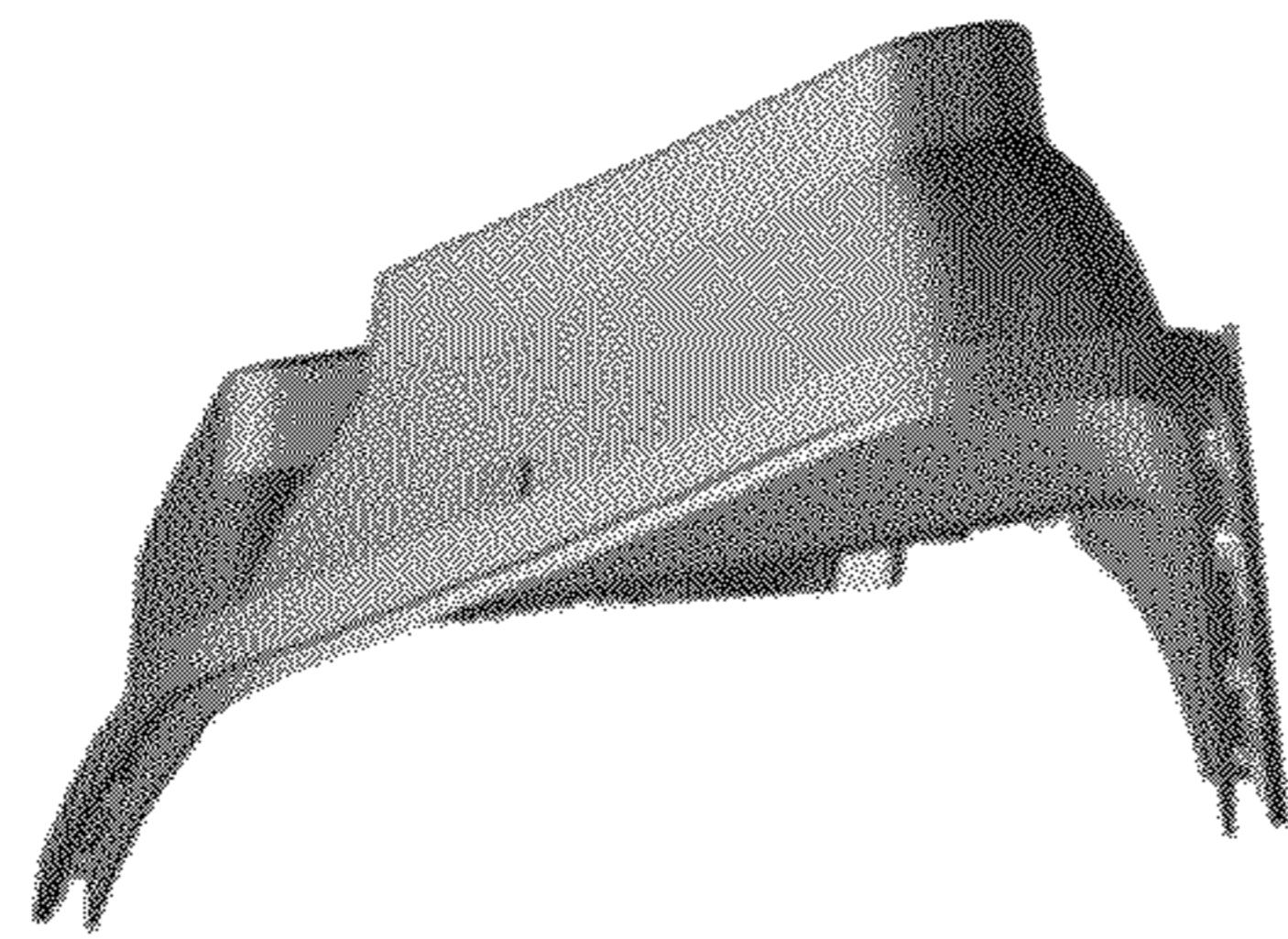


Figure 5

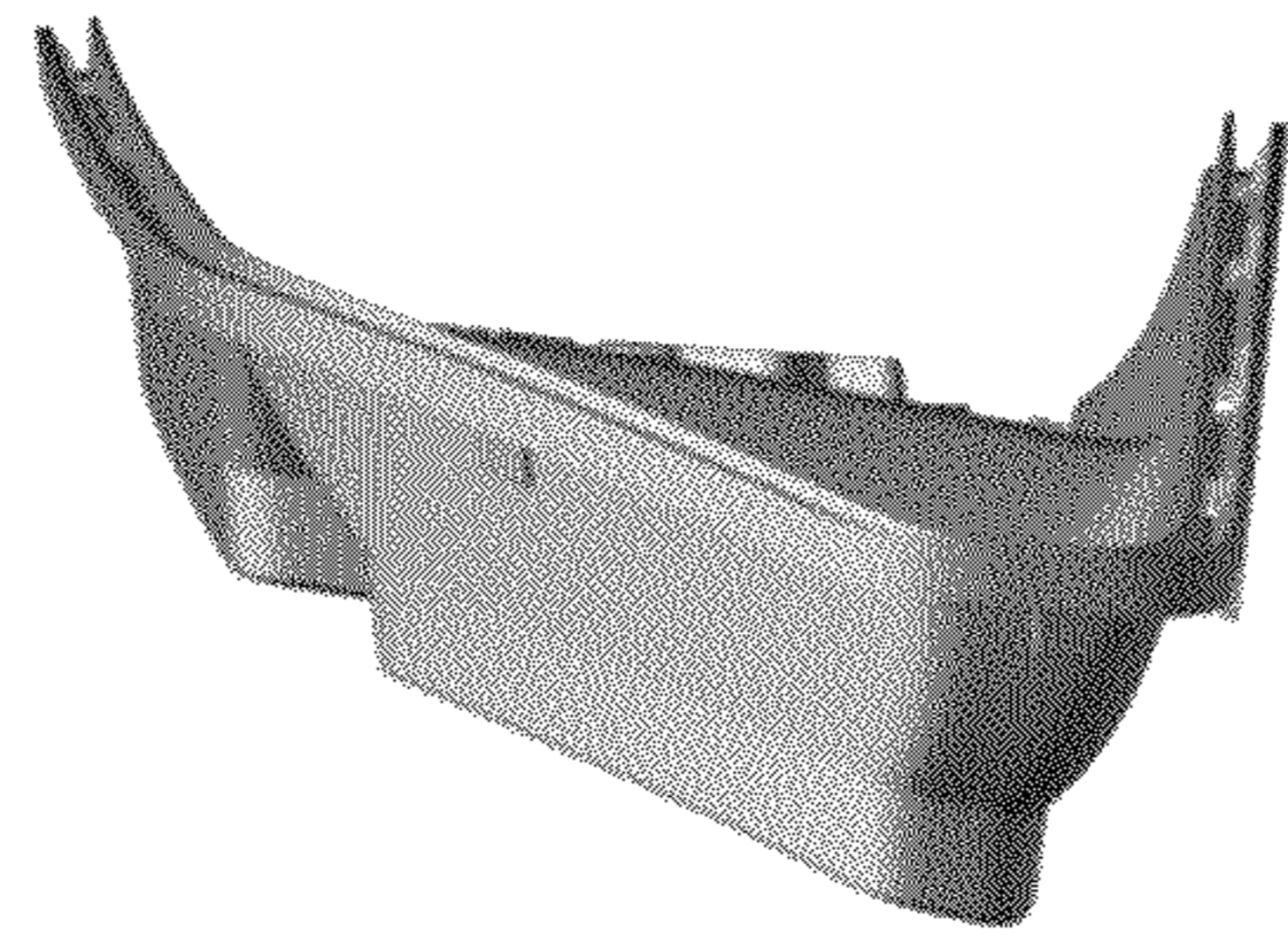


Figure 6

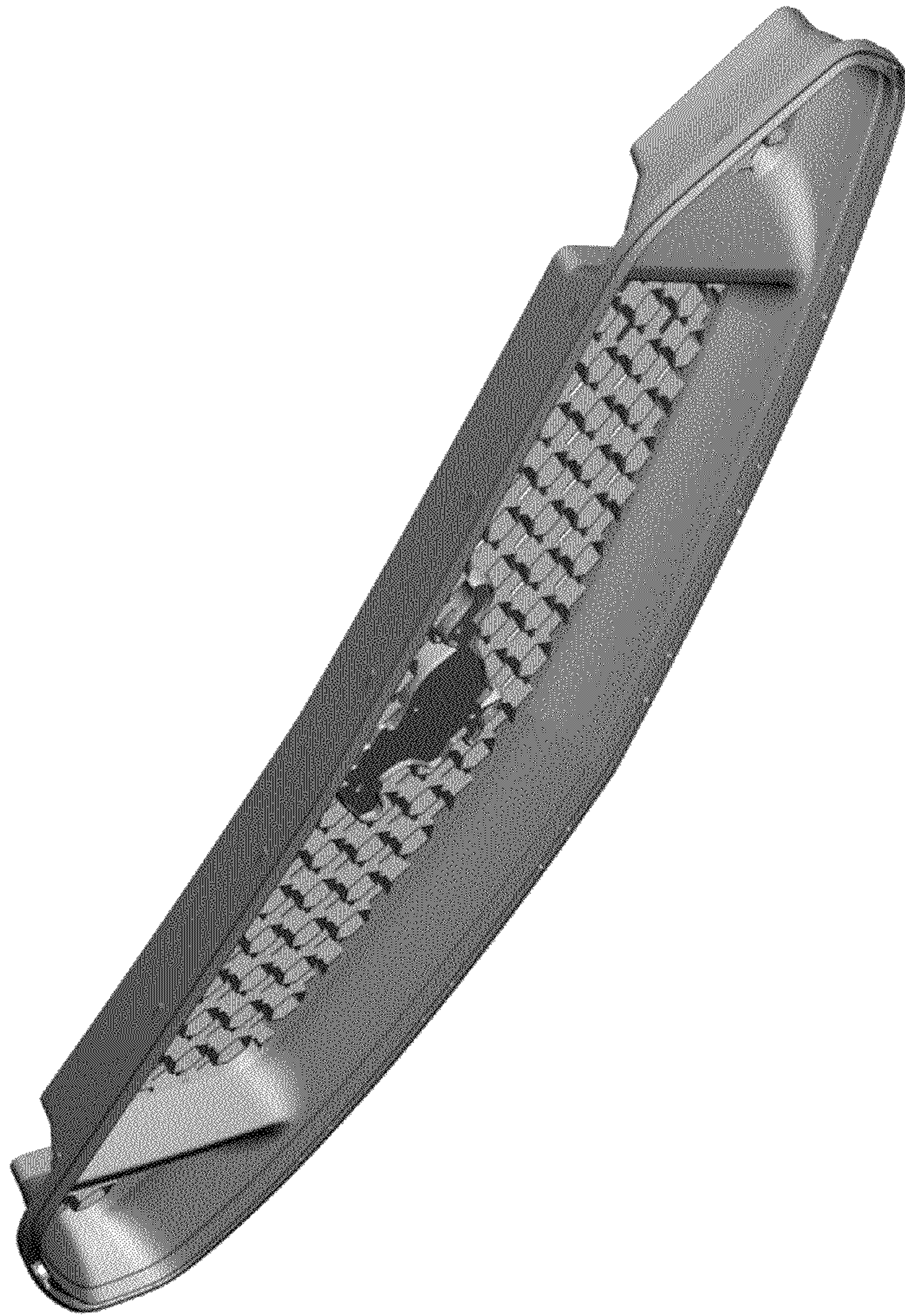


Figure 7



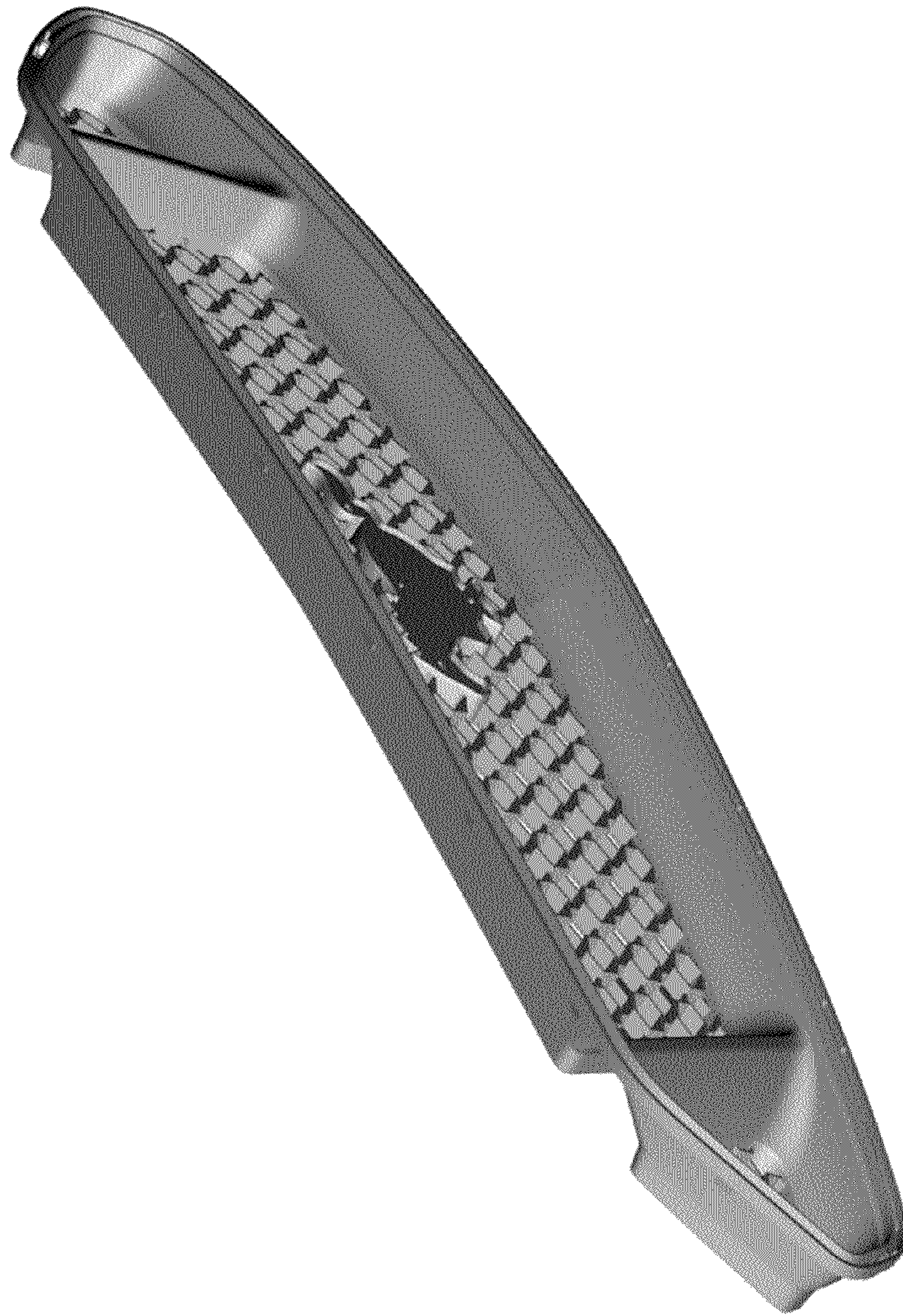


Figure 8