



US00D708992S

(12) **United States Design Patent**
Ito et al.

(10) **Patent No.:** **US D708,992 S**
(45) **Date of Patent:** **** Jul. 15, 2014**

(54) **GRILLE OF A TRUCK VEHICLE**

(56)

References Cited

U.S. PATENT DOCUMENTS

(71) Applicant: **International Truck Intellectual Property Company, LLC**, Lisle, IL (US)
(72) Inventors: **Chris Isamu Ito**, Sugar Grove, IL (US); **Glen Joel Durmisevich**, Rochester Hills, MI (US); **John Song**, Palatine, IL (US); **Christian Michael Hardin**, Waterford, MI (US); **Curtis Lawrence Wilson**, Naperville, IL (US)

D400,836 S	11/1998	Reynard	
D403,285 S	12/1998	Abalos et al.	
D447,099 S	8/2001	Tirey	
D452,464 S	12/2001	Beigel	
D455,381 S	4/2002	Maher	
D522,936 S	6/2006	Beigel	
D557,183 S	12/2007	Beigel	
D566,015 S	4/2008	Beigel	
D592,561 S	5/2009	Otto	
D612,776 S	3/2010	Beigel	
D627,692 S *	11/2010	Cheng	D12/163
D645,797 S	9/2011	Beigel	
D673,089 S	12/2012	Parkes	
D673,486 S	1/2013	Parkes	
D691,072 S *	10/2013	Cheng	D12/163

(73) Assignee: **International Truck Intellectual Property Company, LLC**, Lisle, IL (US)

* cited by examiner

(**) Term: **14 Years**

Primary Examiner — Melody Brown

(74) *Attorney, Agent, or Firm* — Jeffrey P. Calfa; Mark C. Bach; Gerald W. Askew

(21) Appl. No.: **29/450,561**

(57) **CLAIM**

The ornamental design for a grille of a truck vehicle, as shown and described.

(22) Filed: **Mar. 19, 2013**

DESCRIPTION

(51) **LOC (10) Cl.** **12-16**

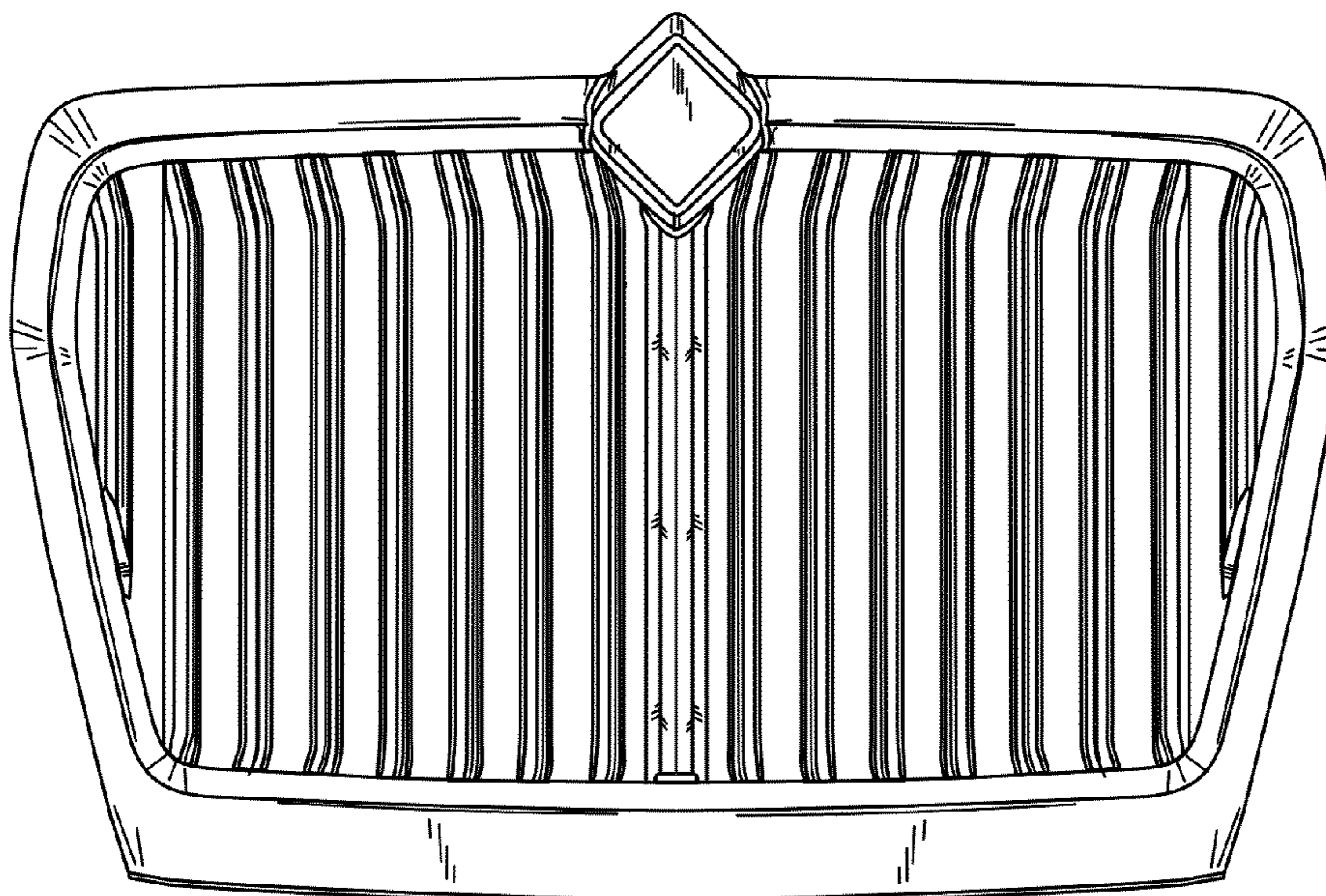
(52) **U.S. Cl.**
USPC **D12/163**

(58) **Field of Classification Search**
USPC D12/163, 196, 86, 90-92, 216, 96, 97,
D12/173; 180/68.1, 68.6, 69.2, 69.21;
296/193.11

FIG. 1 is a FRONT AND LEFT SIDE PERSPECTIVE view of a grille of a truck vehicle showing our new design; FIG. 2 is a LEFT SIDE ELEVATION view thereof; FIG. 3 is a TOP PLAN view thereof; FIG. 4 is a BOTTOM PLAN view thereof; FIG. 5 is a FRONT ELEVATION view thereof; and, FIG. 6 is a REAR ELEVATION view thereof.

See application file for complete search history.

1 Claim, 3 Drawing Sheets



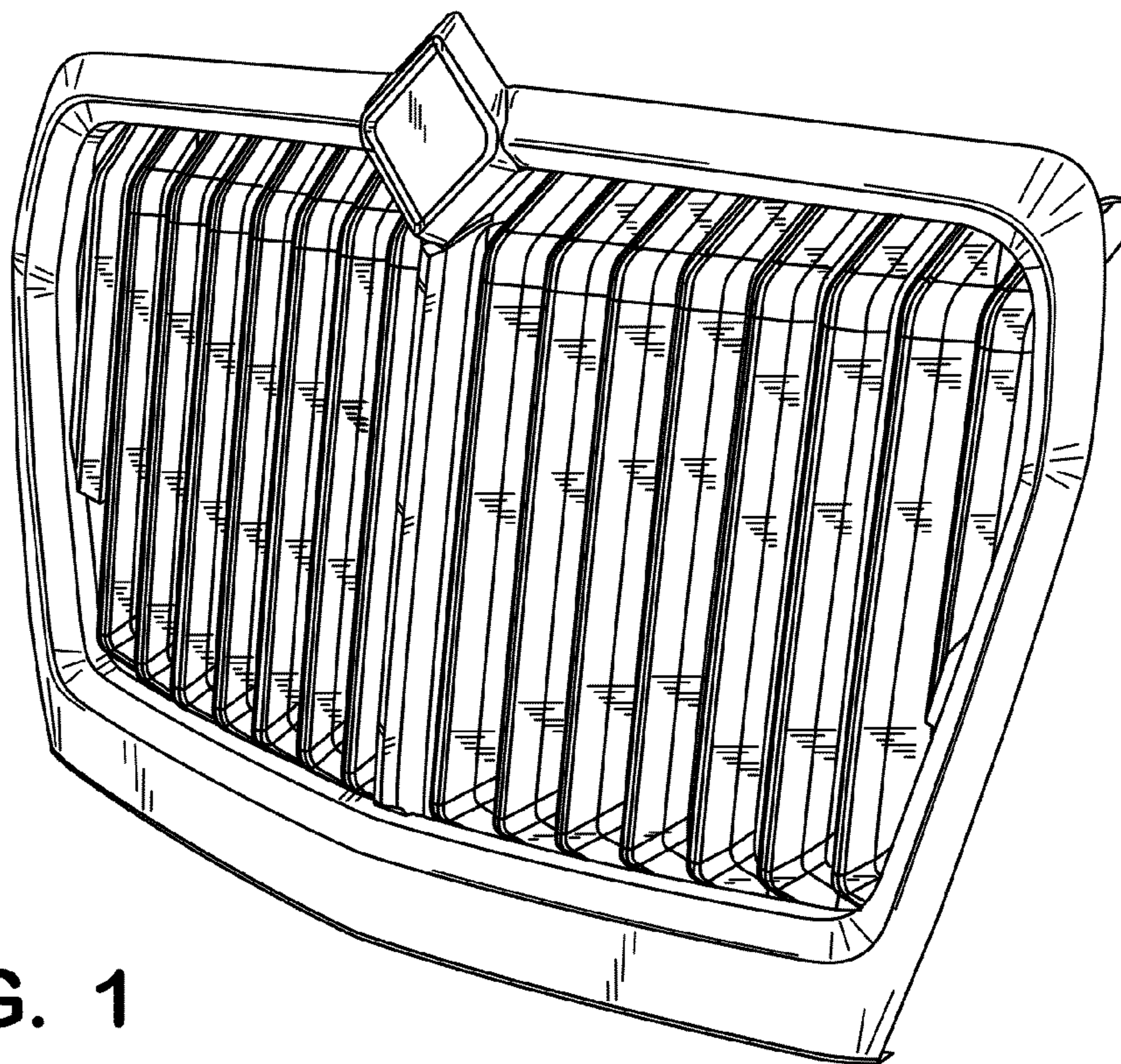


FIG. 1

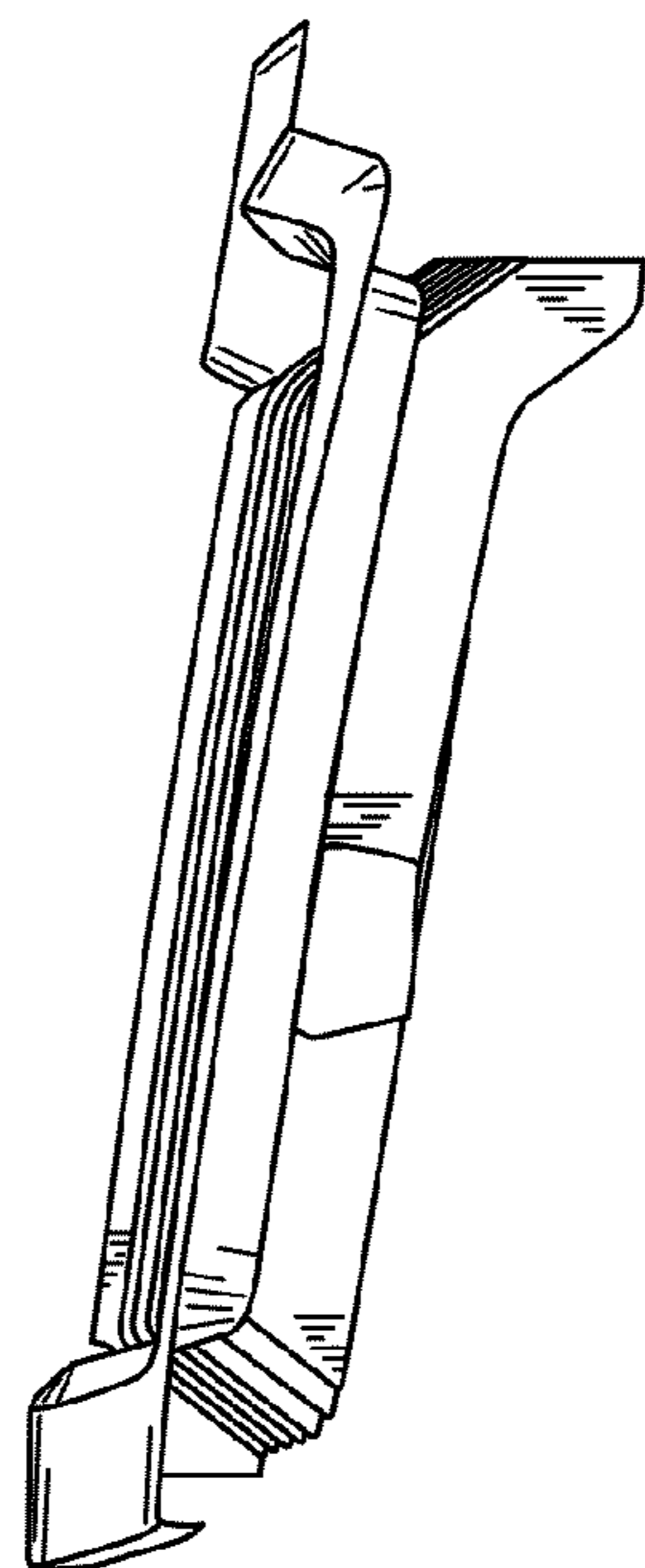


FIG. 2

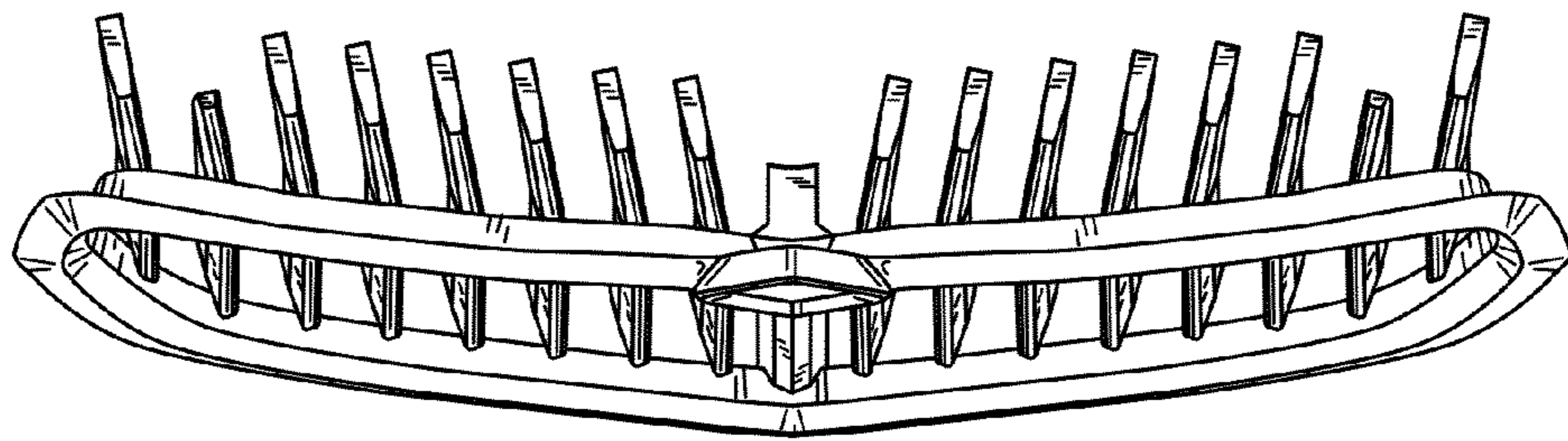


FIG. 3

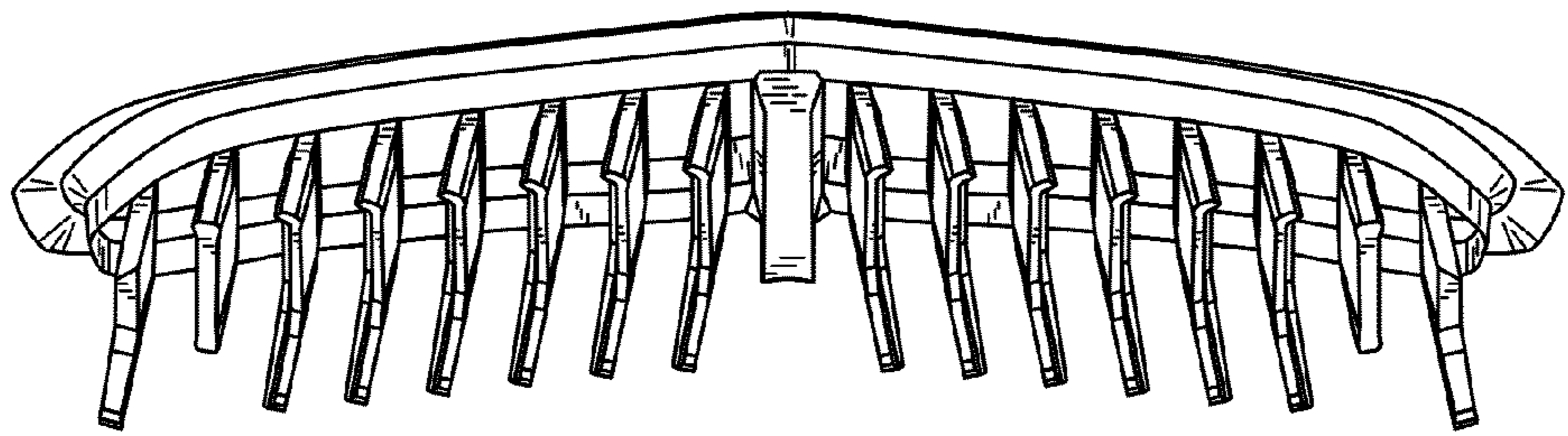


FIG. 4

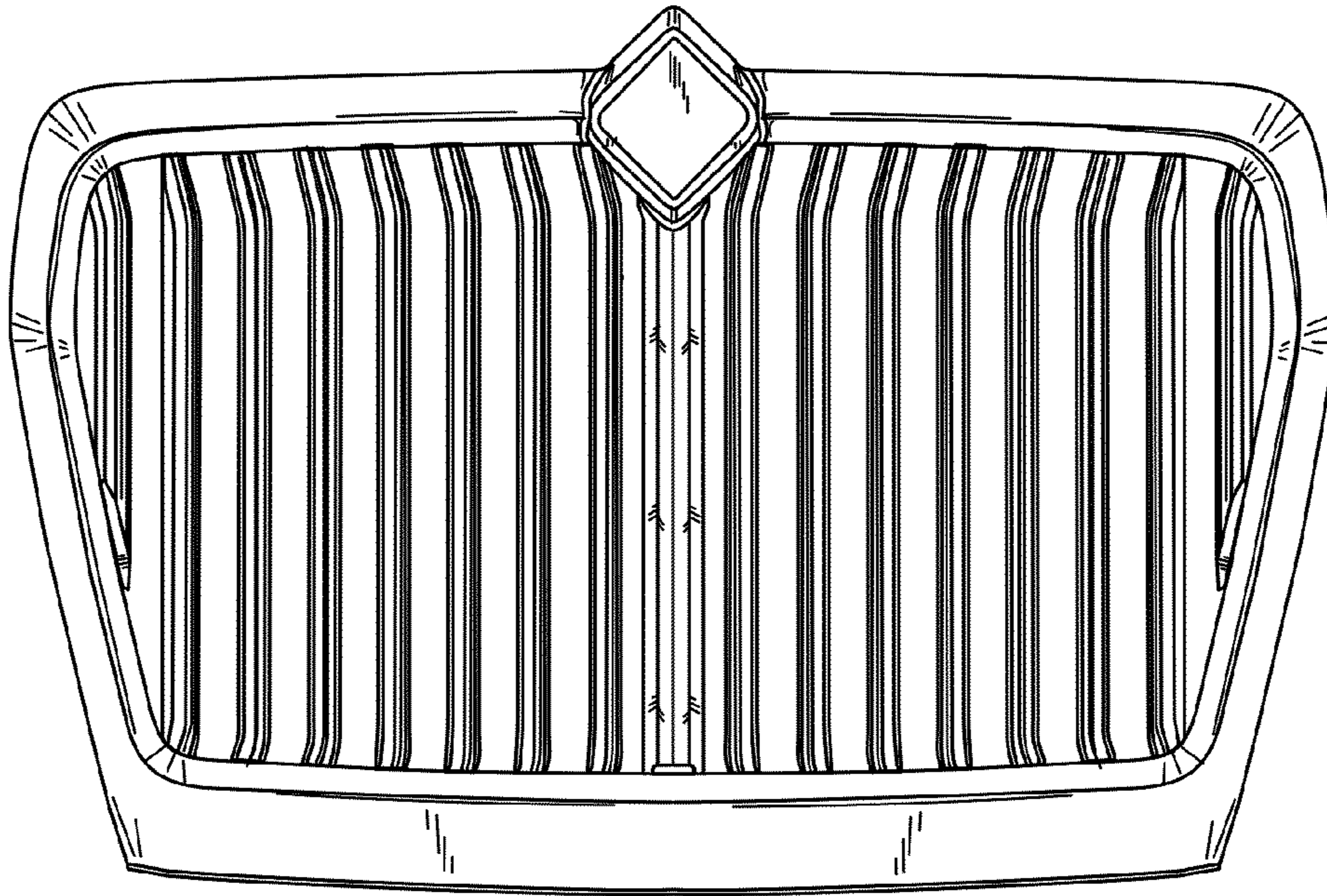


FIG. 5

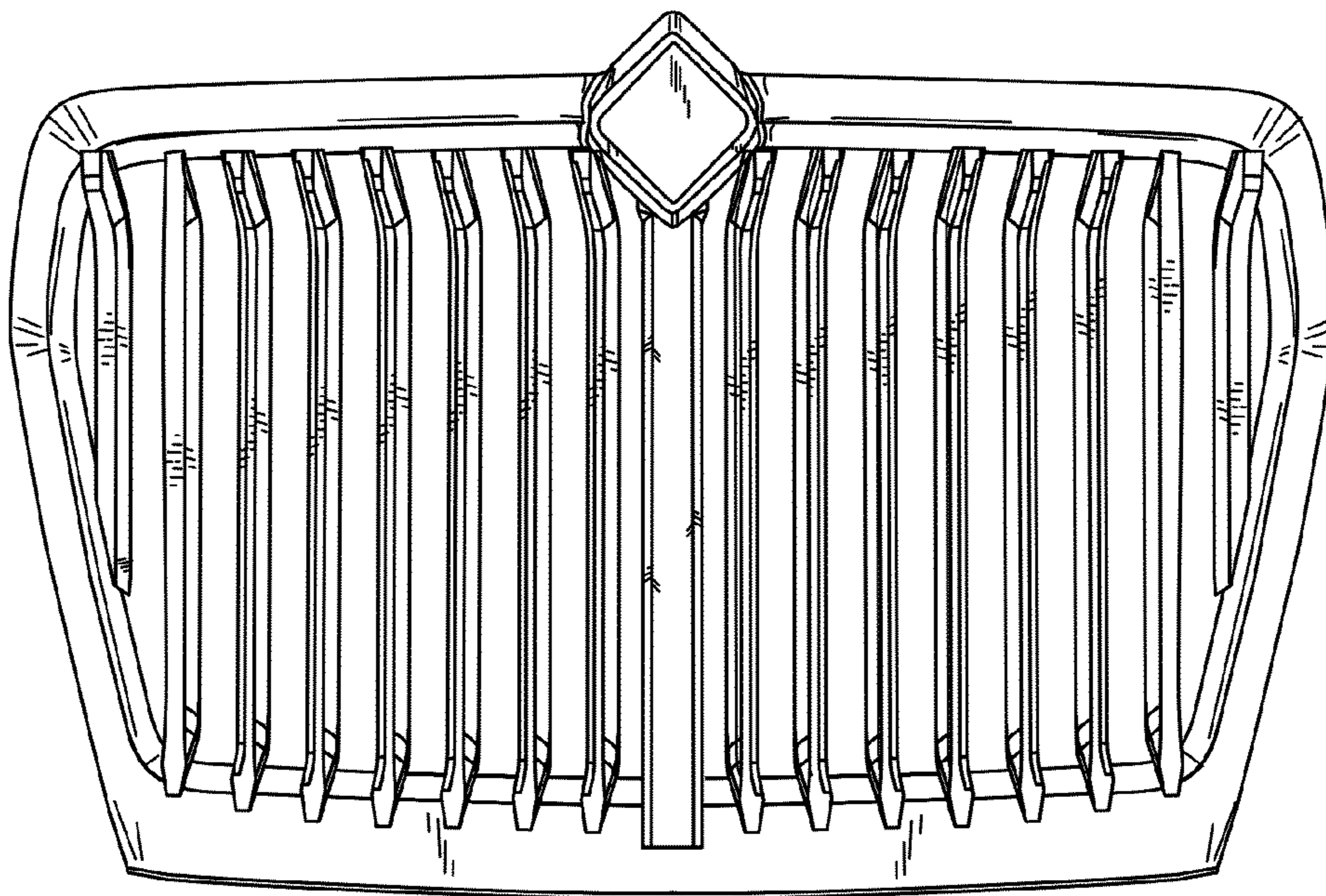


FIG. 6