



US00D708985S

(12) **United States Design Patent**
Peltola et al.

(10) **Patent No.:** **US D708,985 S**
(45) **Date of Patent:** **** Jul. 15, 2014**

- (54) **HOOD FOR A VEHICLE**
- (71) Applicants: **Wallace A. Peltola**, Sammamish, WA
(US); **Jonathan Duncan**, Seattle, WA
(US); **Steven H. Hovind**, Bellevue, WA
(US); **Troy R. McCuller**, Corinth, TX
(US); **Scott D. Hite**, Pilot Point, TX
(US); **Ernesto Salas, Jr.**, Frisco, TX
(US)

- D504,642 S 5/2005 Perfetti
- D531,947 S 11/2006 Angelo
- D545,250 S 6/2007 Angelo
- D560,575 S 1/2008 Simons
- D560,582 S 1/2008 Simons
- D561,647 S 2/2008 Simons
- D564,427 S 3/2008 Beigel
- D632,224 S 2/2011 Peltola
- D632,234 S 2/2011 Peltola
- D654,401 S 2/2012 Peltola
- D685,294 S * 7/2013 Hanson et al. D12/93

- (72) Inventors: **Wallace A. Peltola**, Sammamish, WA
(US); **Jonathan Duncan**, Seattle, WA
(US); **Steven H. Hovind**, Bellevue, WA
(US); **Troy R. McCuller**, Corinth, TX
(US); **Scott D. Hite**, Pilot Point, TX
(US); **Ernesto Salas, Jr.**, Frisco, TX
(US)

OTHER PUBLICATIONS

“T300,” Kenworth Truck Company, Kirkland, Washington, 2001, 16-page brochure.
 “AeroCab,” Kenworth Truck Company, Kirkland, Washington, 1993, 6-page brochure.
 “AeroCab,” Kenworth Truck Company, Kirkland, Washington, as early as 1995, 3 page brochure.

- (73) Assignee: **PACCAR Inc**, Bellevue, WA (US)

(Continued)

- (**) Term: **14 Years**

Primary Examiner — Melody Brown

- (21) Appl. No.: **29/448,503**

(74) *Attorney, Agent, or Firm* — Christensen O’Connor Johnson Kindness PLLC

- (22) Filed: **Mar. 12, 2013**

(57) **CLAIM**

- (51) **LOC (10) Cl.** **12-16**

The ornamental design for a hood for a vehicle, as shown and described.

- (52) **U.S. Cl.**

DESCRIPTION

- USPC **D12/96**

- (58) **Field of Classification Search**

USPC D12/96, 97, 98, 12, 90–92, 173, 196;
 296/180.1–180.3, 181.1–185, 183,
 296/183.1, 186, 186.1; 180/89.12, 89.1,
 180/242, 449

See application file for complete search history.

FIG. 1 is a perspective view of a hood for a vehicle according to our new design;
 FIG. 2 is a top plan view of the hood for a vehicle of FIG. 1;
 FIG. 3 is a front elevational view of the hood for a vehicle of FIG. 1;
 FIG. 4 is a right side elevational view of the hood for a vehicle of FIG. 1; and,
 FIG. 5 is a left side elevational view of the hood for a vehicle of FIG. 1.

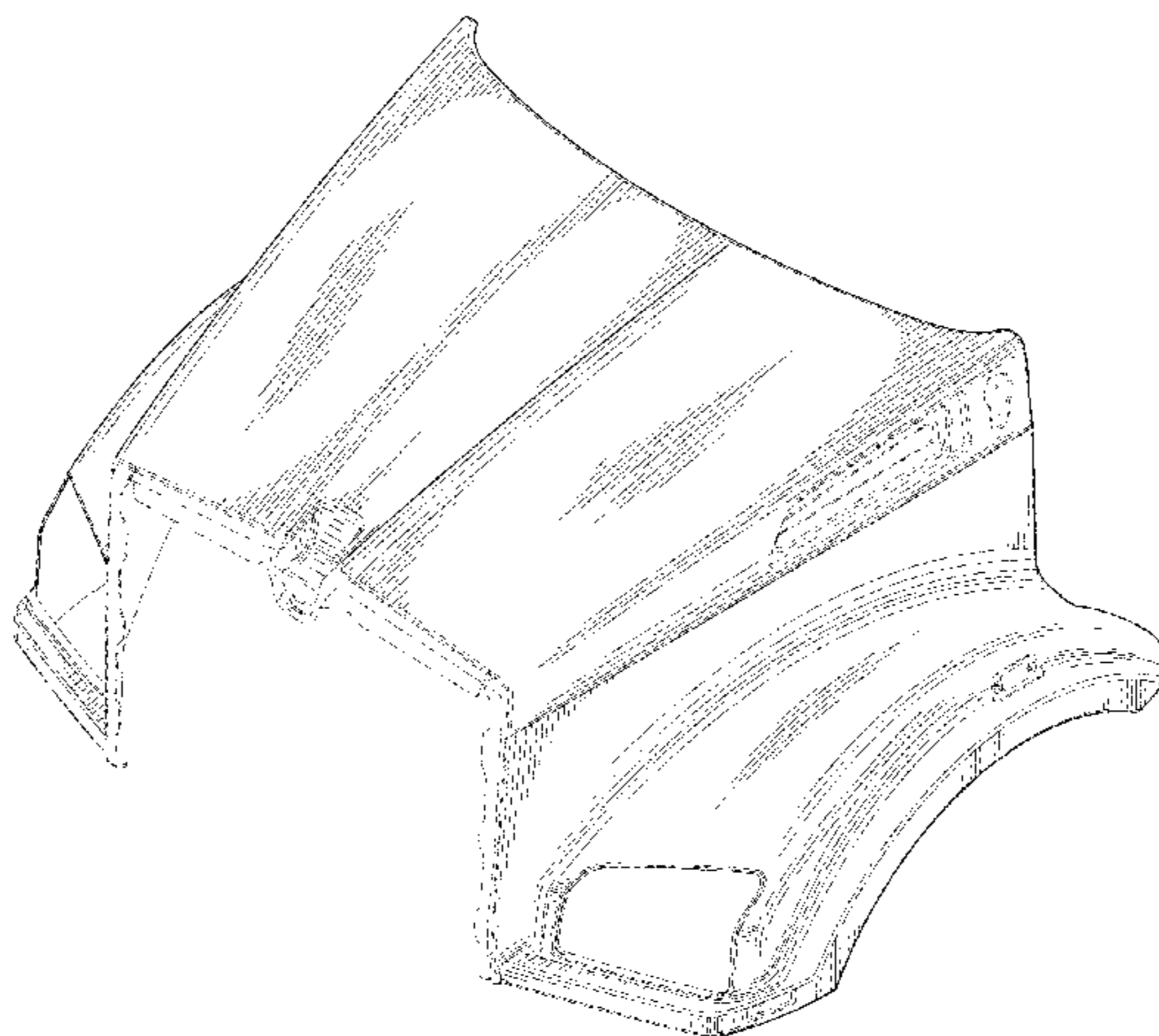
The bottom of the hood for a vehicle is unornamented.
 The broken lines shown in the drawings illustrate portions of the hood for a vehicle that form no part of the claimed design.

- (56) **References Cited**

U.S. PATENT DOCUMENTS

- D401,198 S 11/1998 Mueller
- D412,689 S 8/1999 Onopa
- D478,300 S 8/2003 Chiang
- D484,077 S 12/2003 Conway
- D495,633 S 9/2004 Chiang
- D497,581 S 10/2004 Conway

1 Claim, 4 Drawing Sheets



(56)

References Cited

OTHER PUBLICATIONS

“AG130 Front Air Suspension,” Kenworth Truck Company, Kirkland, Washington, 2008, 2 page brochure.

“Class Pays, Truck Models,” Peterbilt Motors Company, Denton, Texas, Mar. 2005, 24 page brochure.

“Construction Trucks,” Canadian Kenworth Truck, Mississauga, Ontario, Canada, Jul. 1990, 16 page brochure.

“Kenworth Truck Models,” Kenworth Truck Company, Kirkland, Washington, 2010, 16 page brochure.

“Model 357, New Sloped Hood,” Peterbilt Motors Company, Denton, Texas, May 2002, 2 page brochure.

“Paccar Engines, 2010 Medium Duty Engines,” Paccar Inc, Bellevue, Washington, 2010, 6 page brochure.

“Paccar MX,” Paccar Inc, Bellevue, Washington, 2010, 4 page brochure.

“Studio Sleeper,” Kenworth Truck Company, Kirkland, Washington, 1993, 5 page brochure.

“T170 Class 5,” Kenworth Truck Company, Kirkland, Washington, 2008, 4 page brochure.

“T270 Class 6 and T370 Class 7,” Kenworth Truck Company, Kirkland, Washington, 2008, 6 page brochure.

“T270 Class 6 and T370 Class 7,” Kenworth Truck Company, Kirkland, Washington, 2009, 6 page brochure.

“T270 Class 6 and T370 Class 7 Hybrid,” Kenworth Truck Company, Kirkland, Washington, 2009, 6 page brochure.

“T300,” Kenworth Truck Company, Kirkland, Washington, 1997, 5 page brochure.

“T300,” Kenworth Truck Company, Kirkland, Washington, 2005, 16 page brochure.

“T400B and T450B,” Kenworth Truck Company, Kirkland, Washington, 1992, 10 page brochure.

“T440,” Kenworth Truck Company, Kirkland, Washington, 2010, 2 page brochure.

“T440,” Kenworth Truck Company, Kirkland, Washington, 2010, 6 page brochure.

“T470,” Kenworth Truck Company, Kirkland, Washington, 2010, 6 page brochure.

“T470H,” Kenworth Truck Company, Kirkland, Washington, 2009, 2 page brochure.

“T600, Ten Years of Innovation,” Kenworth Truck Company, Kirkland, Washington, 1995, 6 page brochure.

“T600,” Kenworth Truck Company, Kirkland, Washington, 1996, 7 page brochure.

“T600,” Kenworth Truck Company, Kirkland, Washington, 2002, 28 page brochure.

“T600,” Kenworth Truck Company, Kirkland, Washington, 2005, 24 page brochure.

“T600A,” Kenworth Truck Company, Kirkland, Washington, 1985, 10 page brochure.

“T660,” Kenworth Truck Company, Kirkland, Washington, 2007, 36 page brochure.

“T660,” Kenworth Truck Company, Kirkland, Washington, 2009, 36 page brochure.

“T700,” Kenworth Truck Company, Kirkland, Washington, 2010, 6 page brochure.

“T800,” Kenworth Truck Company, Kirkland, Washington, 1996, 7 page brochure.

“T800,” Kenworth Truck Company, Kirkland, Washington, 2002, 32 page brochure.

“T800,” Kenworth Truck Company, Kirkland, Washington, 2003, 32 page brochure.

“T800,” Kenworth Truck Company, Kirkland, Washington, 2005, 28 page brochure.

“T800,” Kenworth Truck Company, Kirkland, Washington, 2009, 28 page brochure.

“T800B,” Kenworth Truck Company, Kirkland, Washington, 1993, 8 page brochure.

“The World’s Best,” Kenworth Truck Company, Kirkland, Washington, 1992, 12 page brochure.

“W900,” Kenworth Truck Company, Kirkland, Washington, 1996, 7 page brochure.

“W900,” Kenworth Truck Company, Kirkland, Washington, 2002, 32 page brochure.

“W900,” Kenworth Truck Company, Kirkland, Washington, 2005, 28 page brochure.

“W900L Aero Cab,” Kenworth Truck Company, Kirkland, Washington, 1994, 2 page brochure.

* cited by examiner

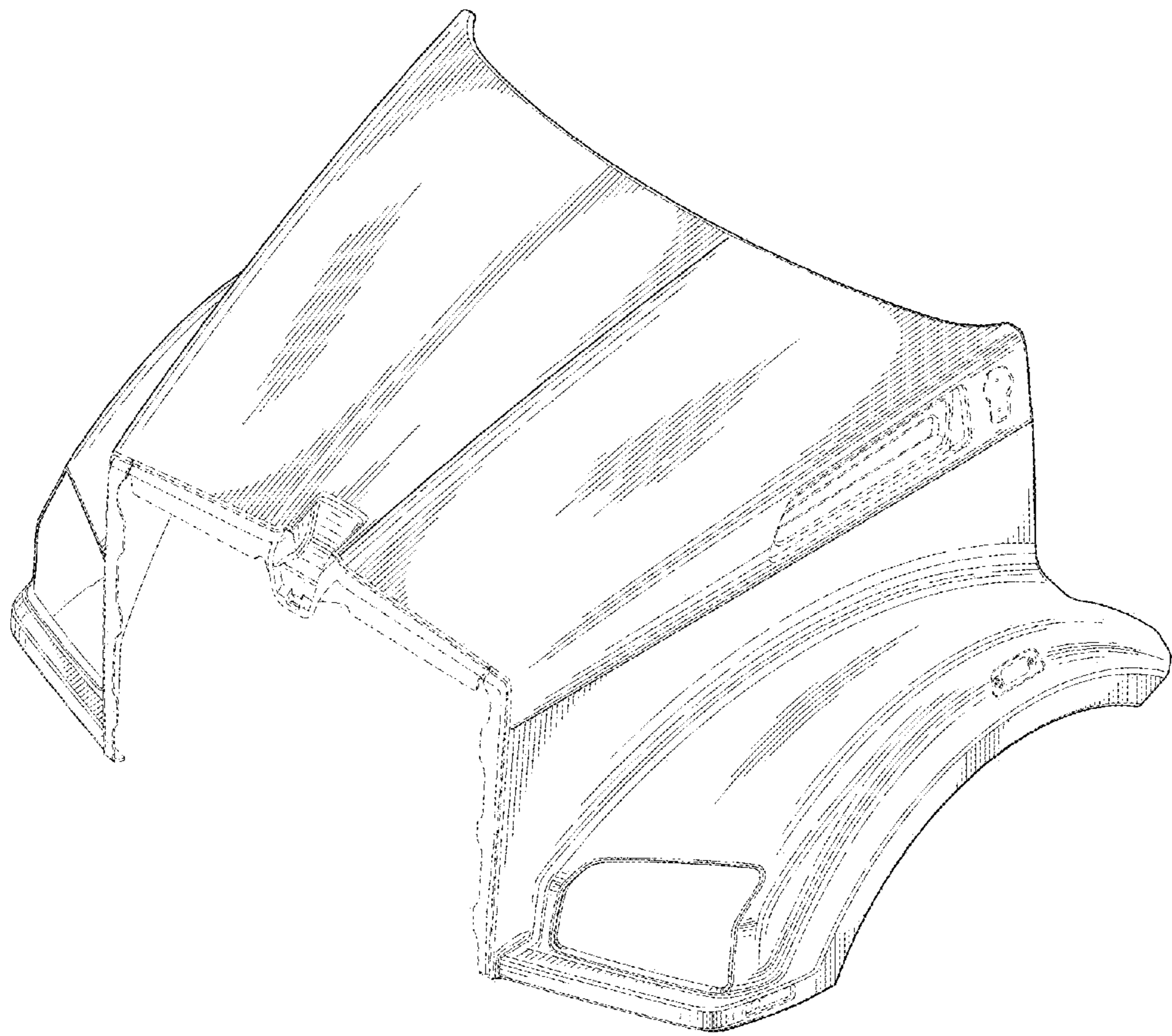


Fig. 1.

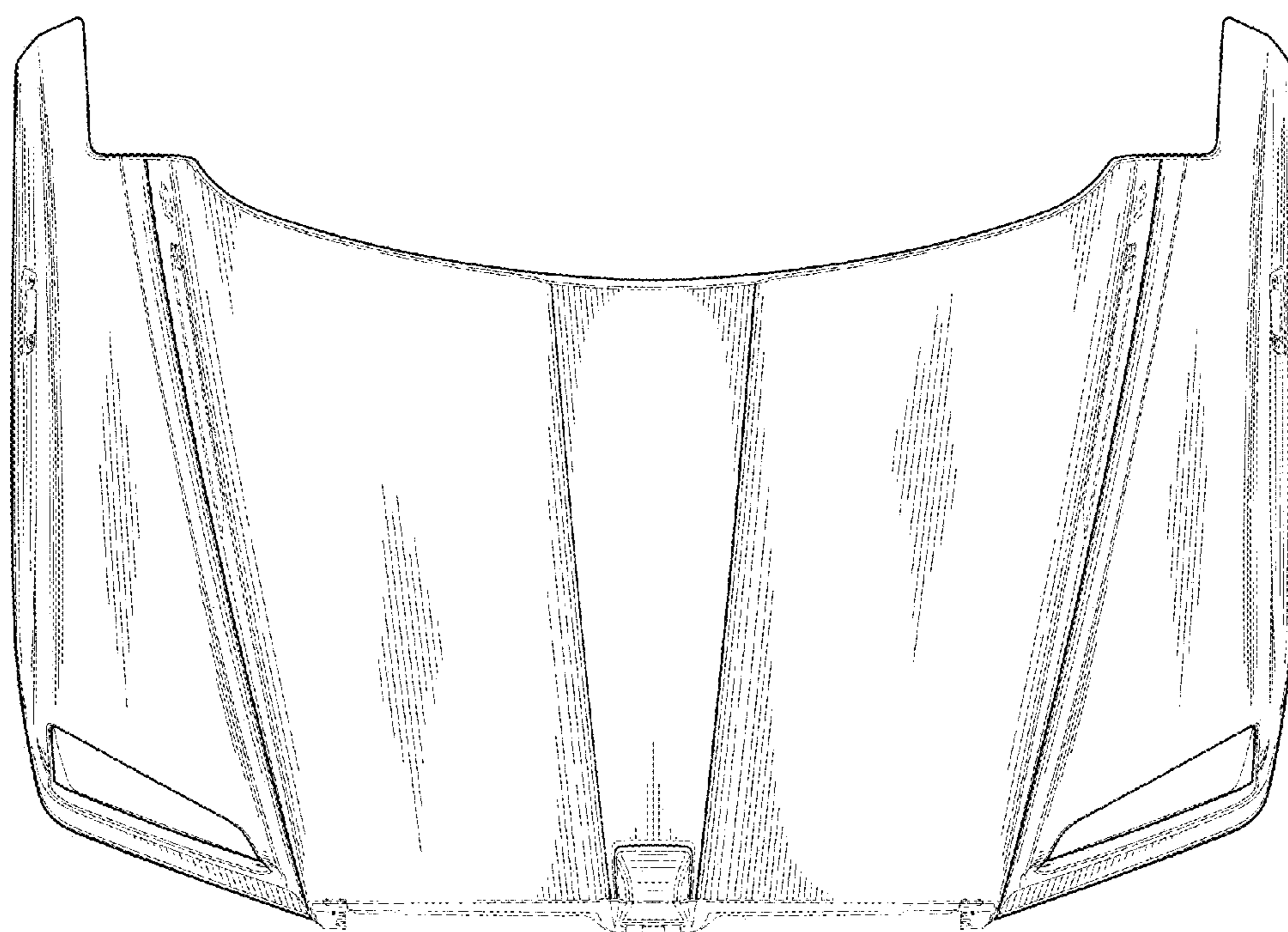


Fig. 2.

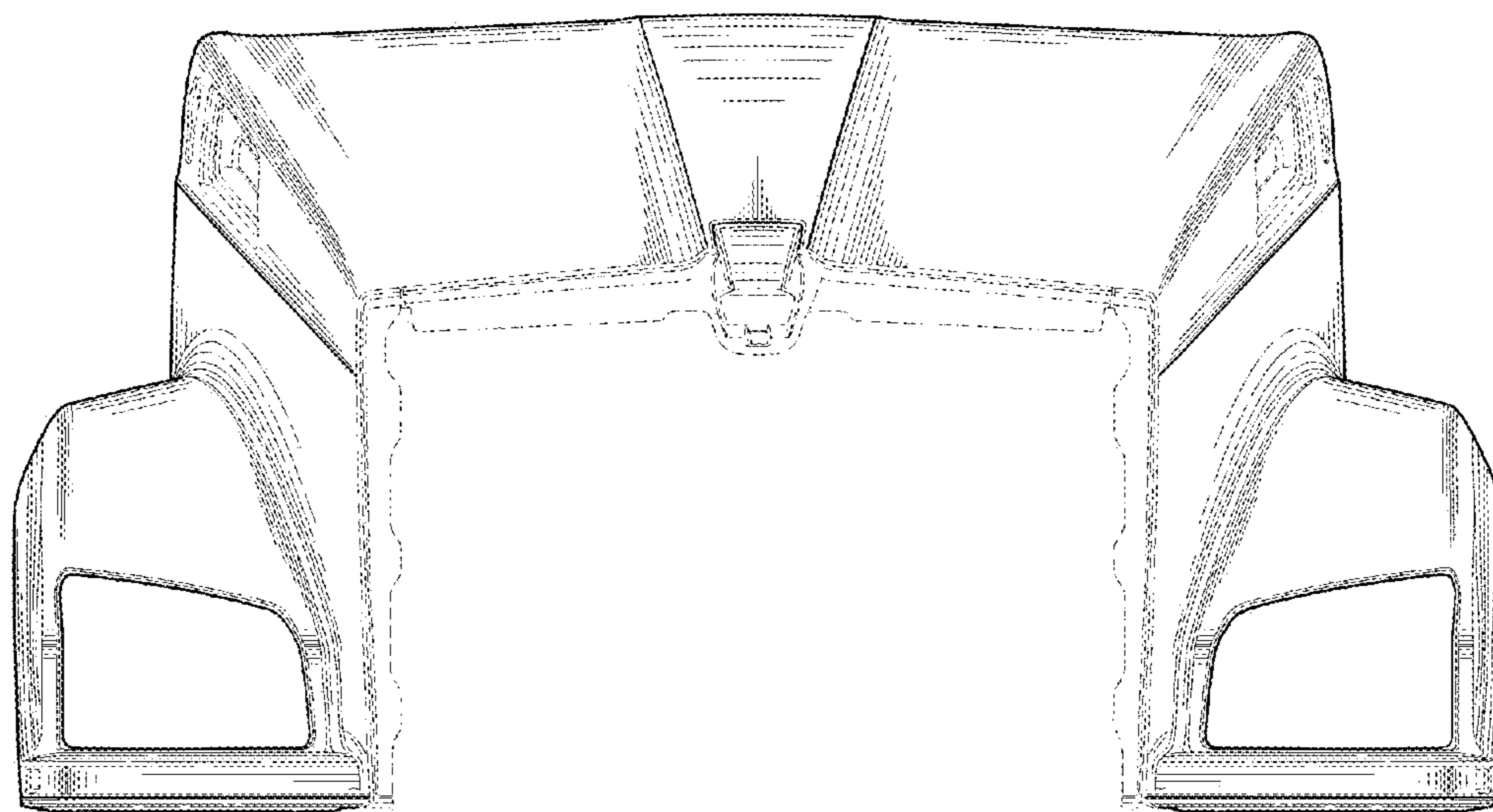


Fig. 3.

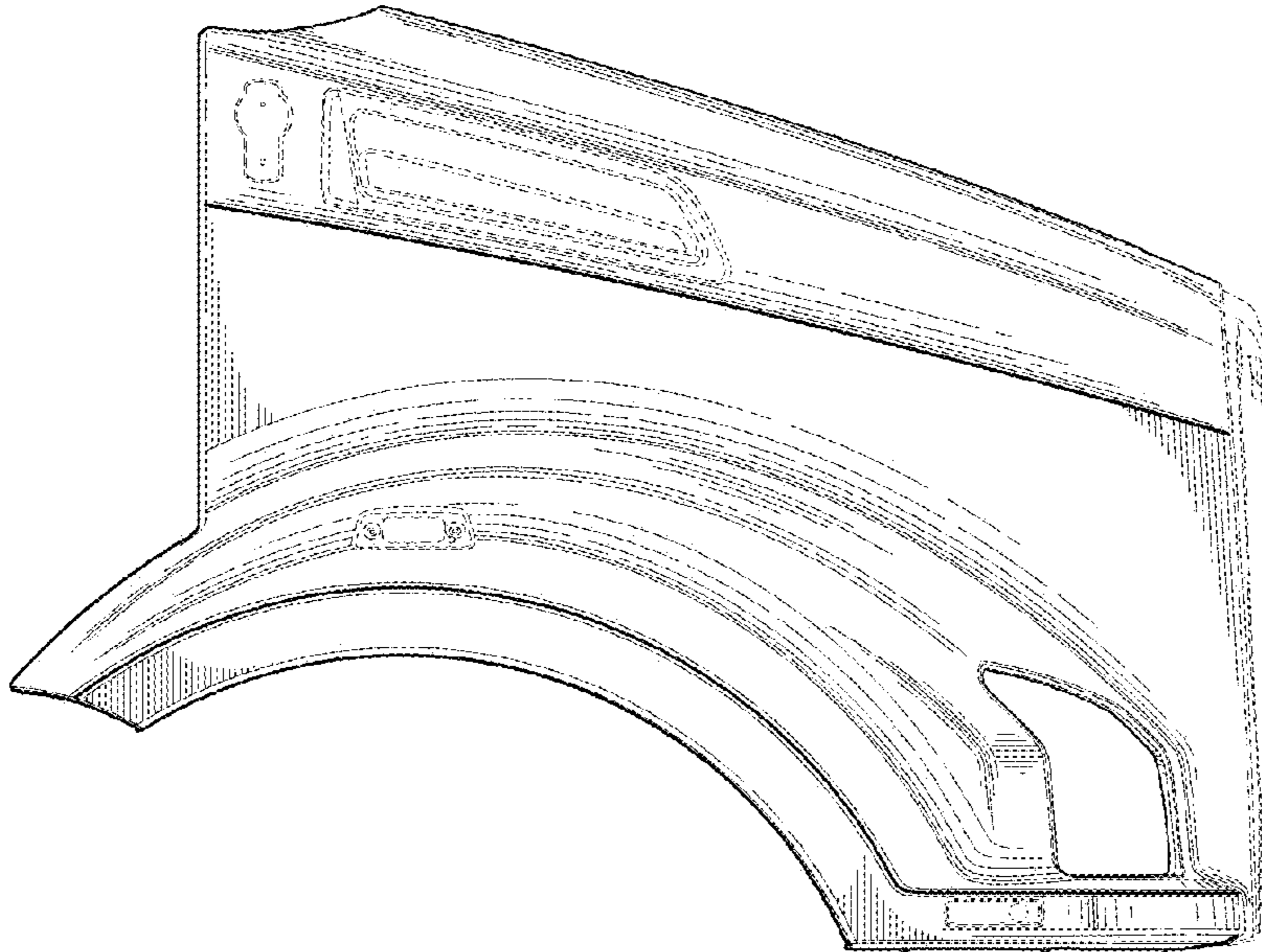


Fig. 4.

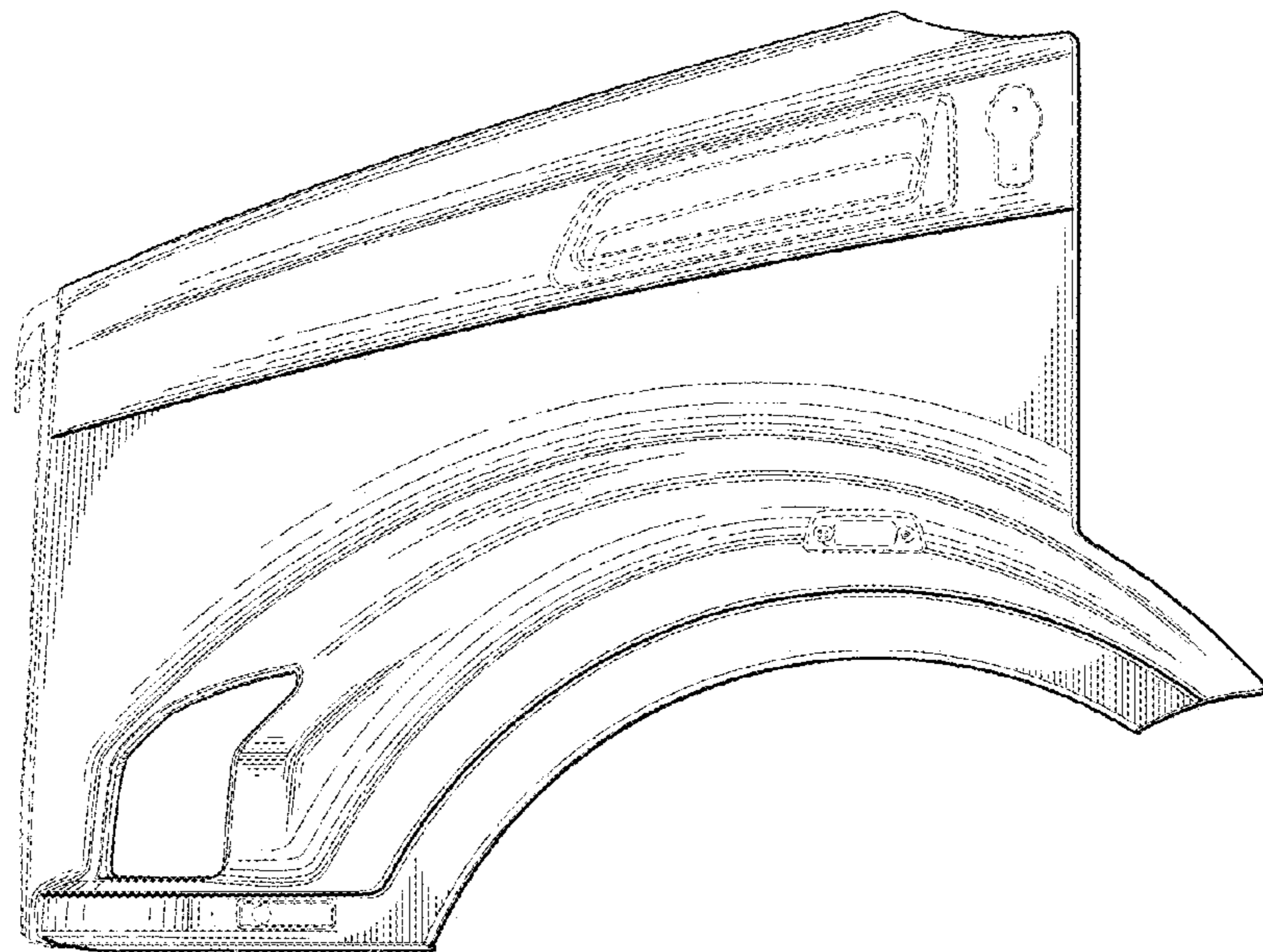


Fig. 5.