



US00D708983S

(12) **United States Design Patent**
Wolfenden

(10) **Patent No.:** **US D708,983 S**
(45) **Date of Patent:** **** Jul. 15, 2014**

(54) **PLANTER BOX**

(76) Inventor: **Ian Wolfenden**, Lancashire (GB)

(**) Term: **14 Years**

(21) Appl. No.: **29/429,067**

(22) Filed: **Aug. 7, 2012**

(51) **LOC (10) Cl.** **11-02**

(52) **U.S. Cl.**
USPC **D11/143; D11/155**

(58) **Field of Classification Search**
USPC D6/403-405, 556-558; D8/1;
D11/143-156, 164; D19/77, 80, 81,
D19/84; D25/100; D26/9-11, 16, 19;
D34/1, 2, 4-6; D99/5, 19; 47/17, 32.4,
47/32.5, 33, 39, 41.01, 41.1, 41.11-41.15,
47/44-47, 65, 65.5, 65.9, 66.1, 66.6, 66.7,
47/67-71

See application file for complete search history.

(56) **References Cited**

U.S. PATENT DOCUMENTS

D278,323 S * 4/1985 Blackmore, Jr. D11/155
D313,374 S * 1/1991 Hartley D11/156
D397,280 S * 8/1998 Schorr D8/1
D409,947 S * 5/1999 Bongard et al. D11/155

D487,035 S * 2/2004 Bellavics D11/155
D598,809 S * 8/2009 Smith et al. D11/144
D624,846 S * 10/2010 Schick D11/156
D627,257 S * 11/2010 Blevins et al. D11/155
D640,587 S * 6/2011 Tanaka D11/155
D644,559 S * 9/2011 Hashimoto D11/143
D673,074 S * 12/2012 Zhao D11/156
2010/0095586 A1 * 4/2010 Sichelto 47/65.5

* cited by examiner

Primary Examiner — Elizabeth Albert

(74) *Attorney, Agent, or Firm* — Sheridan Ross P.C.

(57) **CLAIM**

The ornamental design for a planter box, as shown and described.

DESCRIPTION

FIG. 1 is a front elevation view of the planter box showing my new design;

FIG. 2 is a bottom plan view thereof;

FIG. 3 is a top plan view thereof;

FIG. 4 is a right side elevation view thereof;

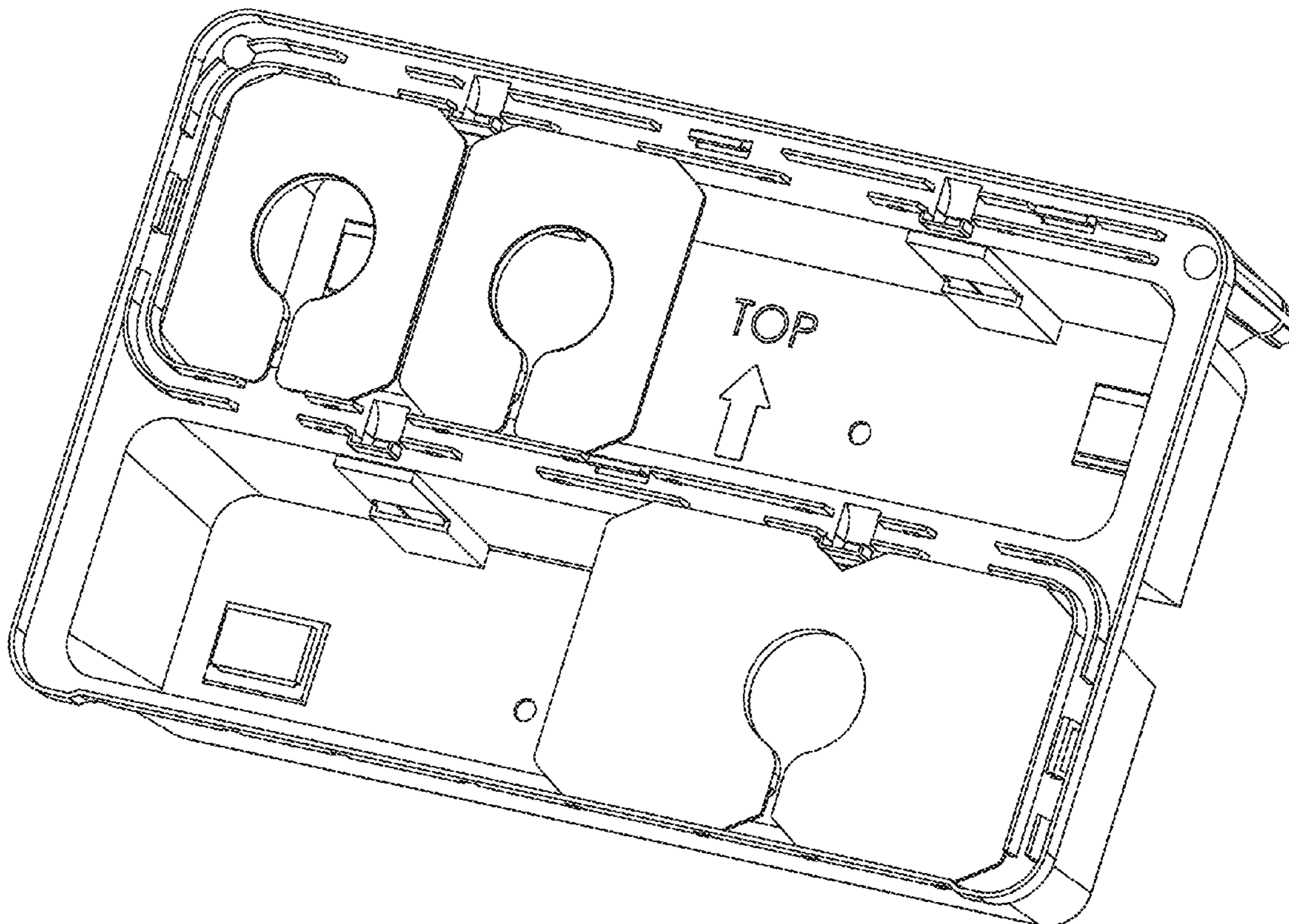
FIG. 5 is a left side elevation view thereof;

FIG. 6 is a rear elevation view thereof;

FIG. 7 is a front perspective view thereof; and,

FIG. 8 is a rear perspective view thereof.

1 Claim, 8 Drawing Sheets



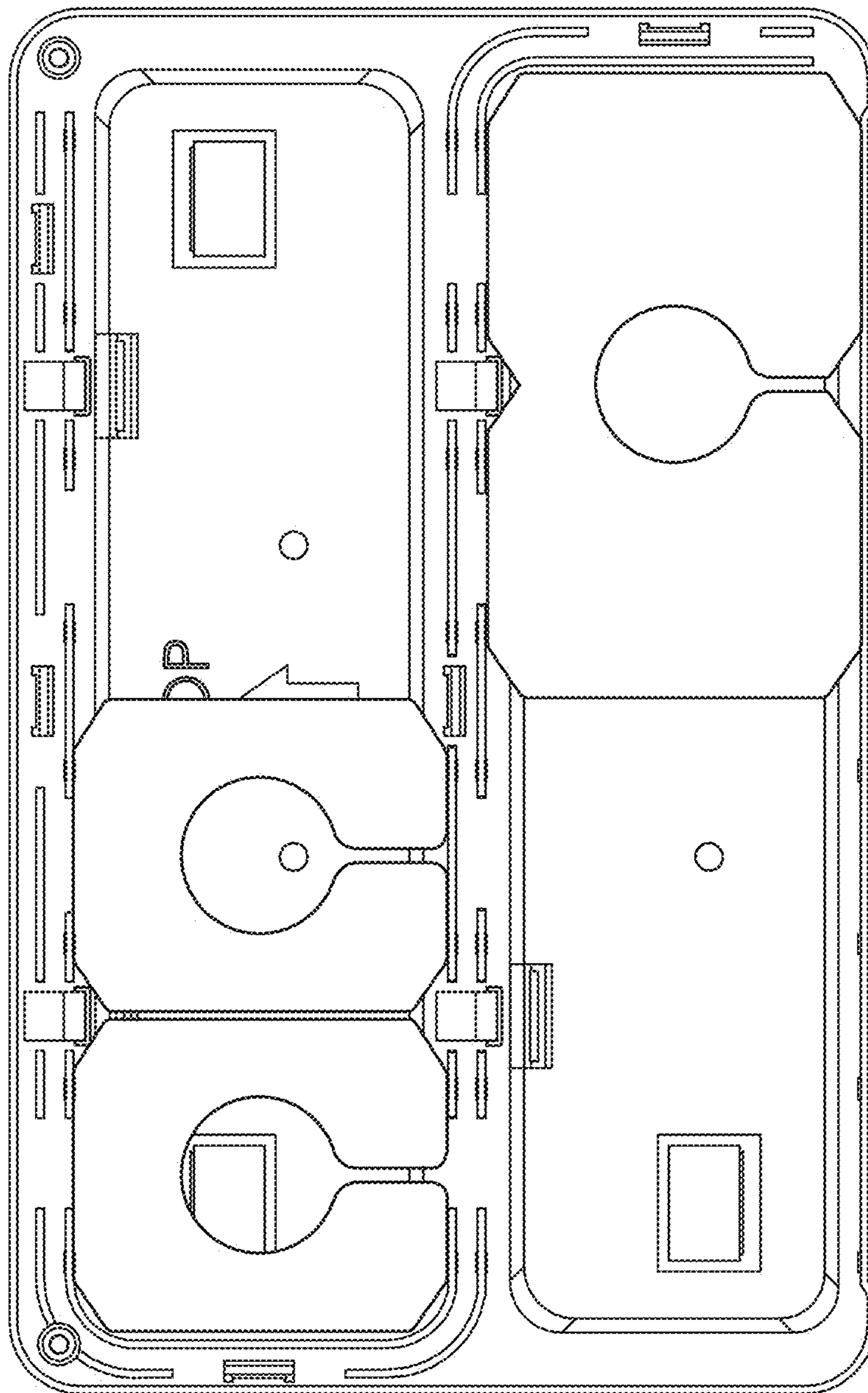


FIG.1

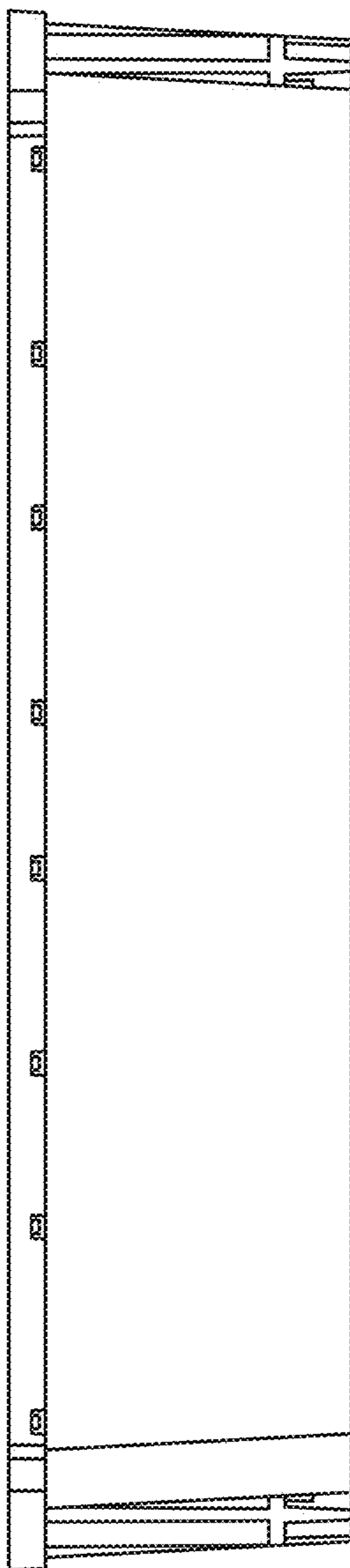


FIG.2

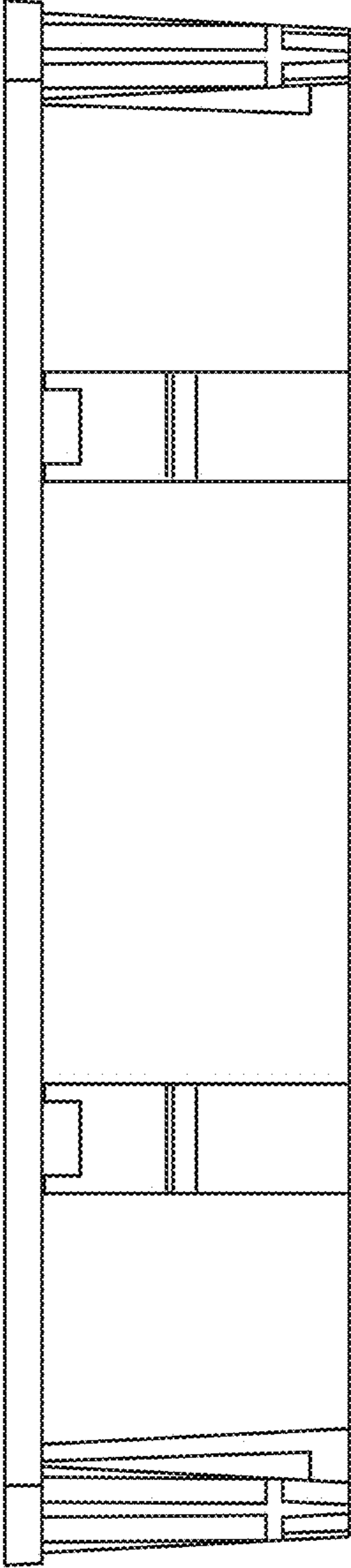


FIG. 3

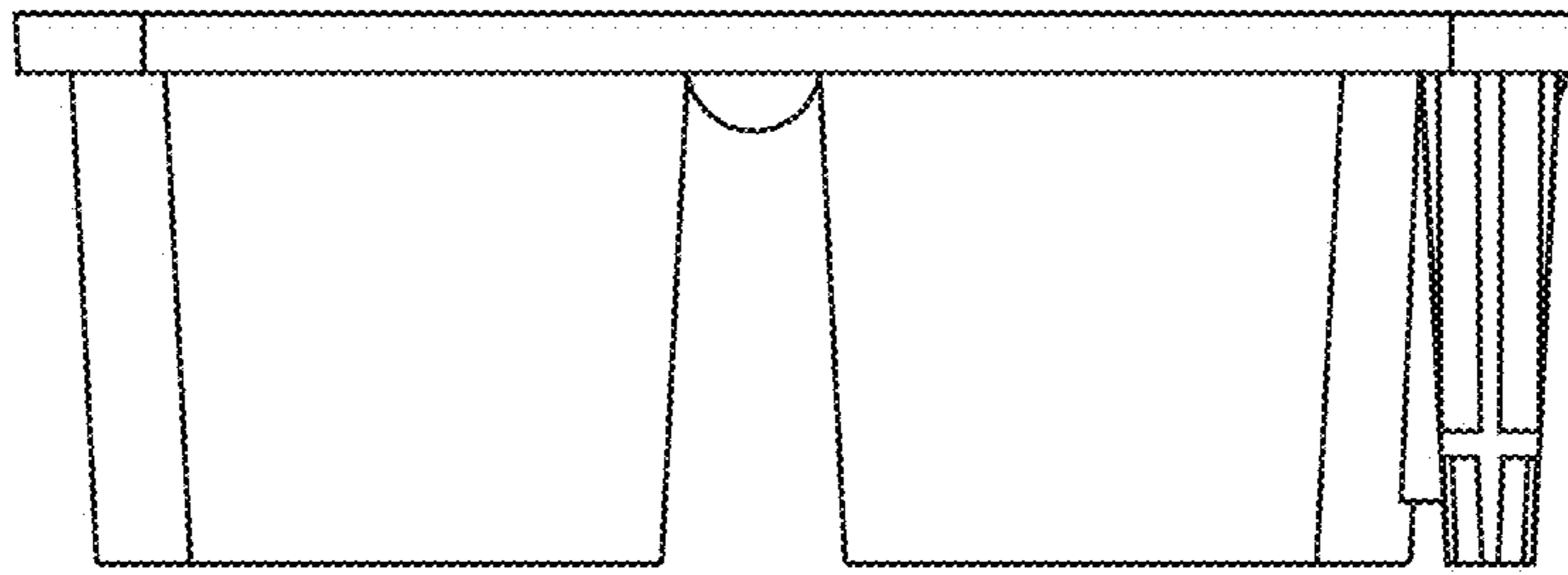


FIG.4

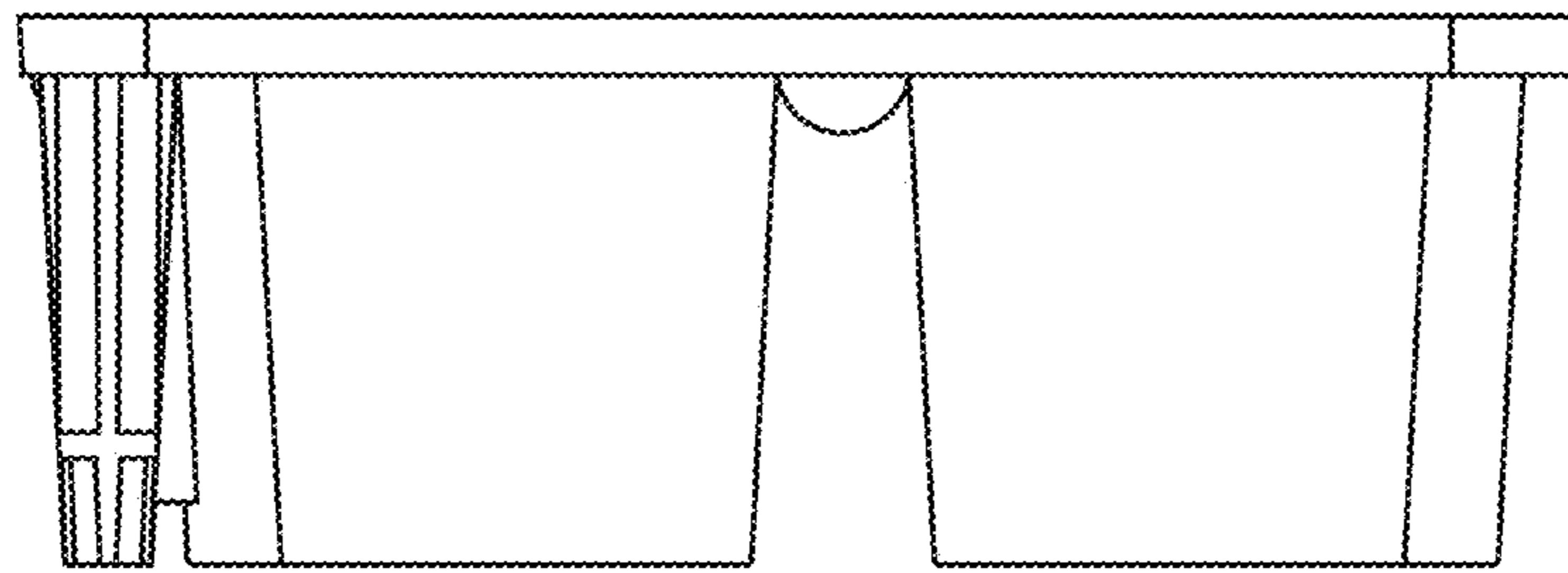


FIG.5

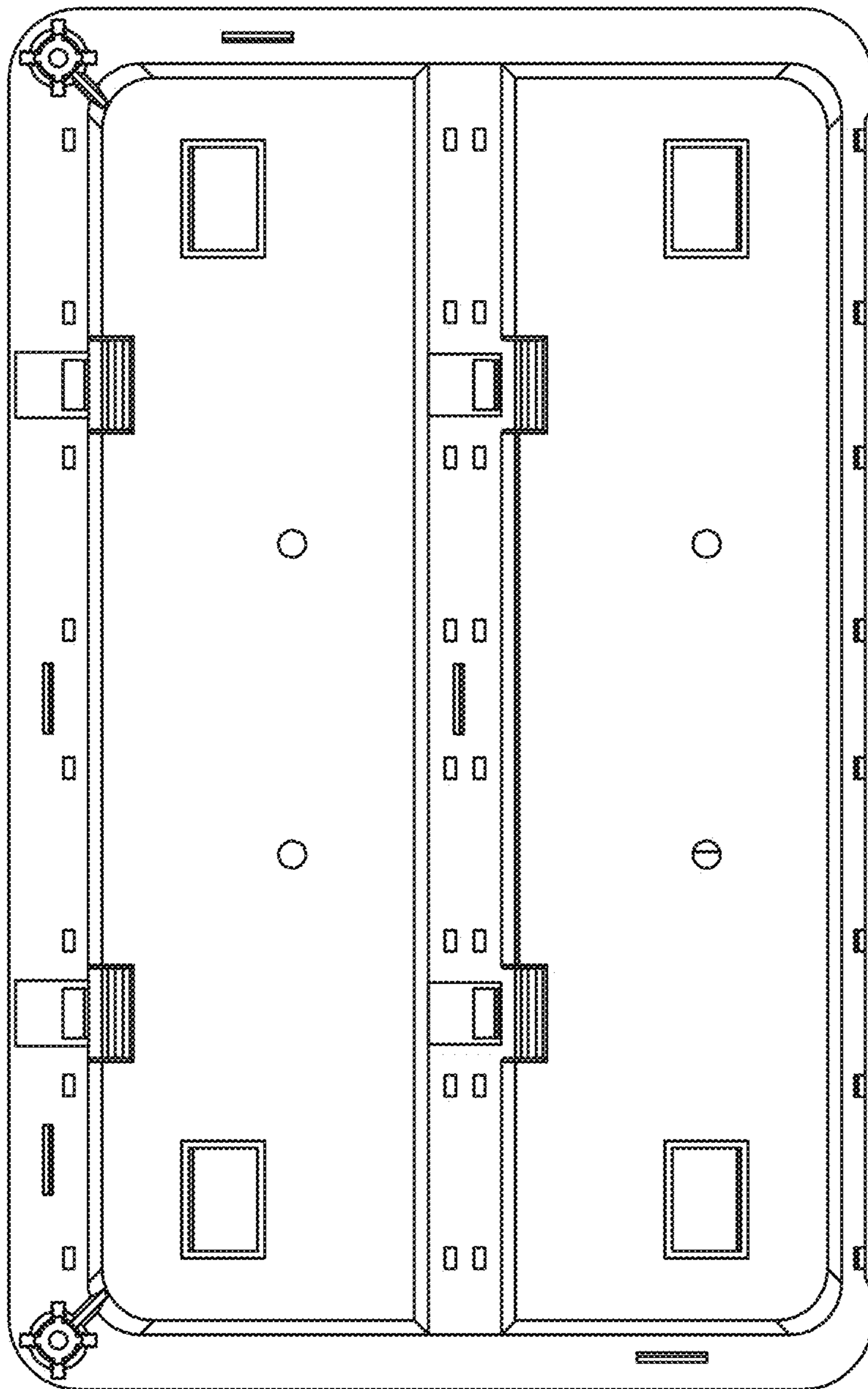


FIG.6

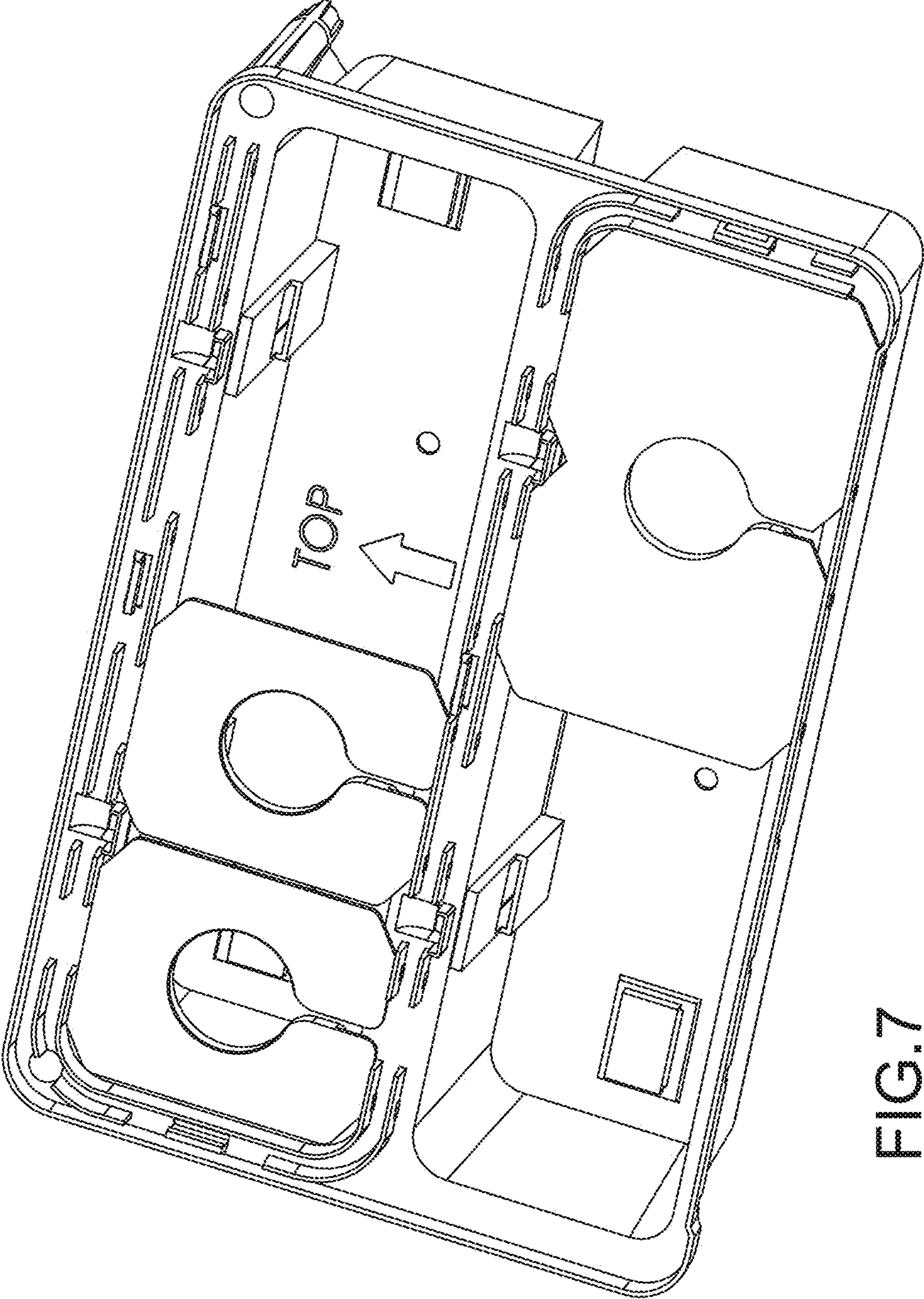


FIG.7

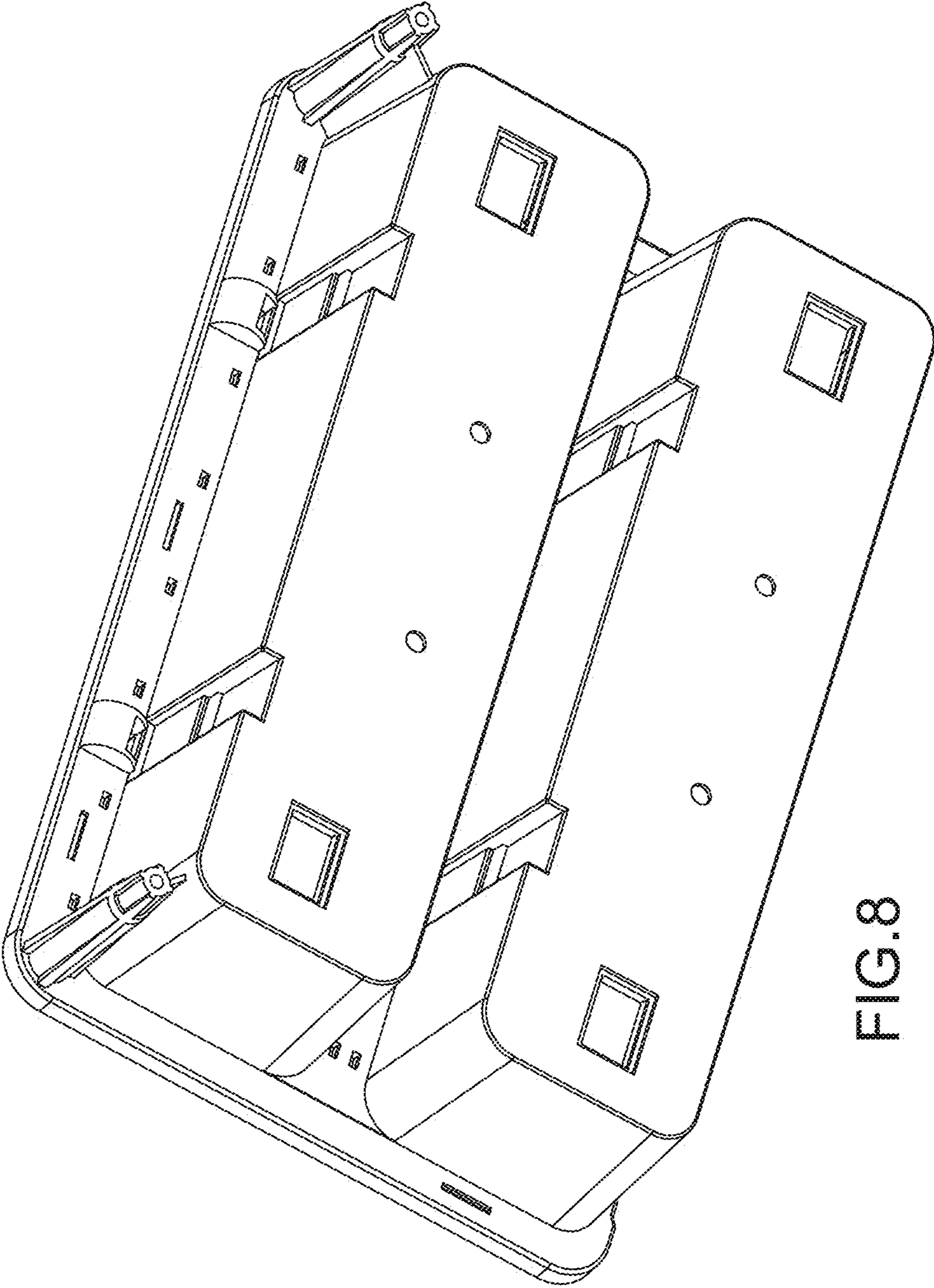


FIG.8