



US00D708980S

(12) **United States Design Patent**  
**Brantman**

(10) **Patent No.:** **US D708,980 S**  
(45) **Date of Patent:** **\*\* Jul. 15, 2014**

- (54) **HOLDER FOR A WRIST WORN ELECTRONIC DEVICE**
- (75) Inventor: **Thomas G. Brantman**, Fairway, KS (US)
- (73) Assignee: **Hallmark Cards, Incorporated**, Kansas City, MO (US)
- (\*\*) Term: **14 Years**
- (21) Appl. No.: **29/409,105**
- (22) Filed: **Dec. 20, 2011**
- (51) **LOC (10) Cl.** ..... **10-07**
- (52) **U.S. Cl.**  
USPC ..... **D10/128; D10/38**
- (58) **Field of Classification Search**  
USPC ..... D10/30-39, 128; 368/276, 281, 282, 368/10, 283, 286, 287; D11/3, 2; D14/203.5, 344, 138 R, 191; D21/513, D21/517  
See application file for complete search history.

6,967,903	B2 *	11/2005	Guanter	.....	368/224
D528,439	S *	9/2006	Burton	.....	D10/32
D535,205	S *	1/2007	Frederick et al.	.....	D10/104.1
7,193,606	B2 *	3/2007	Barnett et al.	.....	345/156
D545,220	S *	6/2007	Leung	.....	D10/31
D584,170	S *	1/2009	Morrison	.....	D10/32
D621,808	S *	8/2010	Kim	.....	D14/138 R
D638,324	S *	5/2011	Tang	.....	D10/128
D645,360	S *	9/2011	Kiser et al.	.....	D10/32

(Continued)

*Primary Examiner* — Lucy Lieberman  
(74) *Attorney, Agent, or Firm* — Shook, Hardy & Bacon L.L.P.

(57) **CLAIM**  
The ornamental design for a holder for a wrist worn electronic device, as shown and described.

**DESCRIPTION**

FIG. 1 is a top right perspective view of a holder for a wrist worn electronic device showing my new design;  
 FIG. 2 is a top plan view thereof;  
 FIG. 3 is a rear elevation view thereof;  
 FIG. 4 is a front elevation view thereof;  
 FIG. 5 is a left side elevation view thereof; and,  
 FIG. 6 is a right side elevation view thereof.

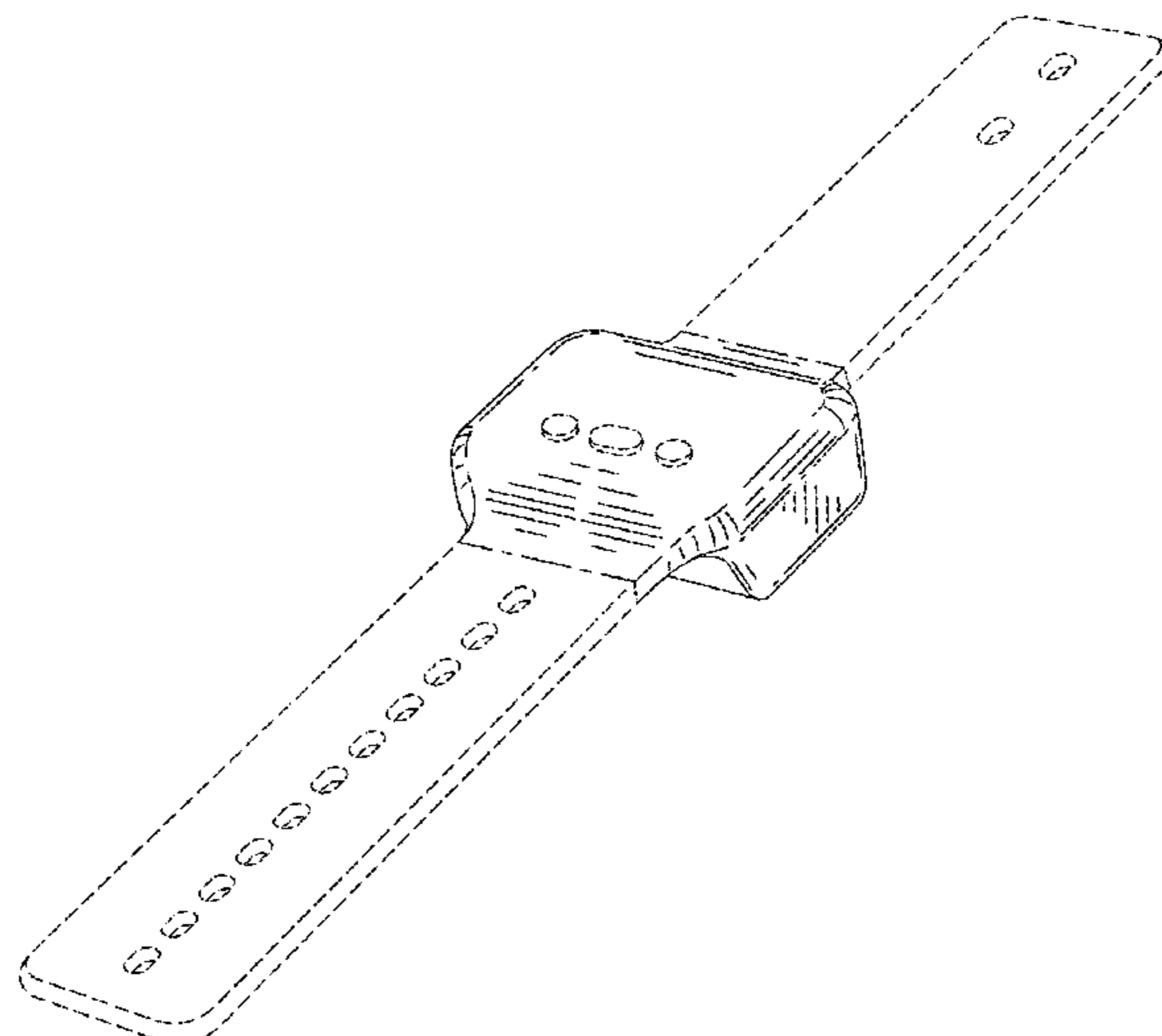
The evenly spaced broken lines shown in the drawings are directed to environment, are for informational purposes only, and form no part of the claimed design.

The long and short broken lines are boundary lines which define the bounds of the claimed design. These boundaries do not exist in reality in the article embodying the design. It is understood that the claimed design extends to these boundaries but do not include the boundaries.

The surface shading lines on the claimed portion are provided only to indicate the character and/or any contour or curvature of the surfaces. They do not indicate color, texture, markings that actually exist thereon, indicia, graphic representations, surface treatment, or any other ornamentation applied to the article.

- (56) **References Cited**  
U.S. PATENT DOCUMENTS
- |           |      |         |                      |       |           |
|-----------|------|---------|----------------------|-------|-----------|
| 1,205,217 | A *  | 11/1916 | Kaufman              | ..... | 224/170   |
| 2,553,089 | A *  | 5/1951  | Holder               | ..... | 368/282   |
| 2,692,070 | A *  | 10/1954 | Kammer               | ..... | 368/286   |
| 4,209,973 | A *  | 7/1980  | Maetzawa             | ..... | 368/84    |
| D263,452  | S *  | 3/1982  | Wada                 | ..... | D10/38    |
| 4,853,682 | A *  | 8/1989  | Asano et al.         | ..... | 345/169   |
| 5,008,864 | A *  | 4/1991  | Yoshitake            | ..... | 368/10    |
| D331,020  | S *  | 11/1992 | Ishii et al.         | ..... | D10/31    |
| D361,042  | S *  | 8/1995  | Nanayakkara          | ..... | D10/31    |
| D366,036  | S *  | 1/1996  | Houlihan             | ..... | D14/344   |
| 5,528,559 | A *  | 6/1996  | Lucas                | ..... | 368/10    |
| 5,861,797 | A *  | 1/1999  | Becker               | ..... | 340/309.3 |
| D419,899  | S *  | 2/2000  | Levar et al.         | ..... | D10/104.1 |
| D424,532  | S *  | 5/2000  | Chida                | ..... | D14/344   |
| 6,158,884 | A *  | 12/2000 | Lebby et al.         | ..... | 368/282   |
| 6,477,117 | B1 * | 11/2002 | Narayanaswami et al. | ...   | 368/251   |
| 6,826,120 | B1 * | 11/2004 | Decker et al.        | ..... | 368/10    |

**1 Claim, 2 Drawing Sheets**



(56)

**References Cited**

U.S. PATENT DOCUMENTS

D660,726 S *	5/2012	Register et al. ....	D10/38	D688,967 S *	9/2013	Wilson .....	D10/128
8,170,633 B2 *	5/2012	Shin et al. ....	455/575.6	2002/0118605 A1 *	8/2002	Born et al. ....	368/69
D672,265 S *	12/2012	Pulli .....	D10/128	2009/0298554 A1	12/2009	Kim et al.	
8,345,412 B2 *	1/2013	Maravilla et al. ....	361/679.03	2009/0318779 A1	12/2009	Tran	
D688,582 S *	8/2013	Wilson .....	D10/128	2010/0029327 A1	2/2010	Jee	
8,506,158 B2 *	8/2013	Keung et al. ....	368/282	2010/0085279 A1	4/2010	Repko	
				2011/0032105 A1 *	2/2011	Hoffman et al. ....	340/573.1
				2012/0069719 A1 *	3/2012	Gutierrez Carranza et al. ....	368/282

\* cited by examiner

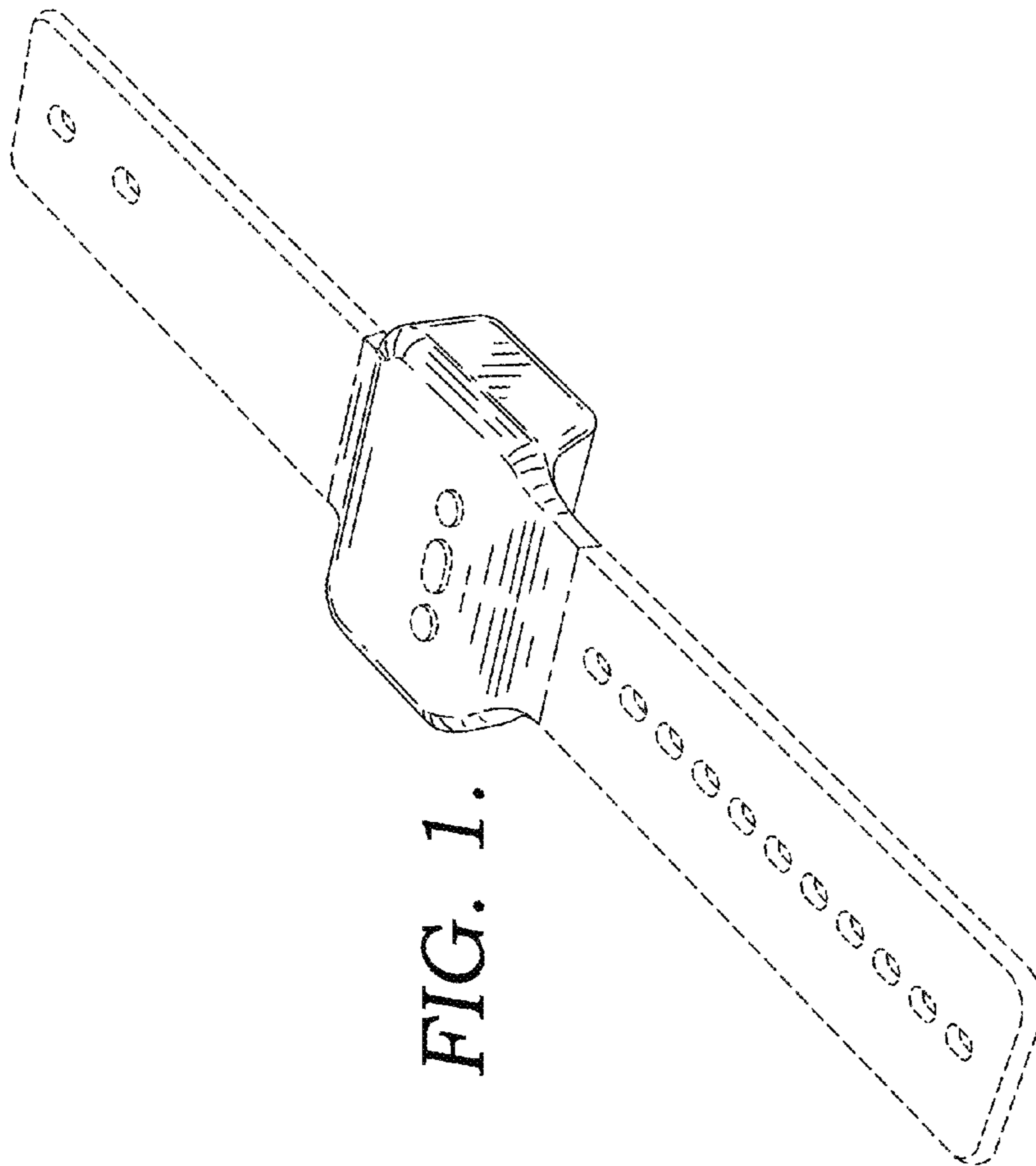


FIG. 1.



FIG. 3.



FIG. 4.

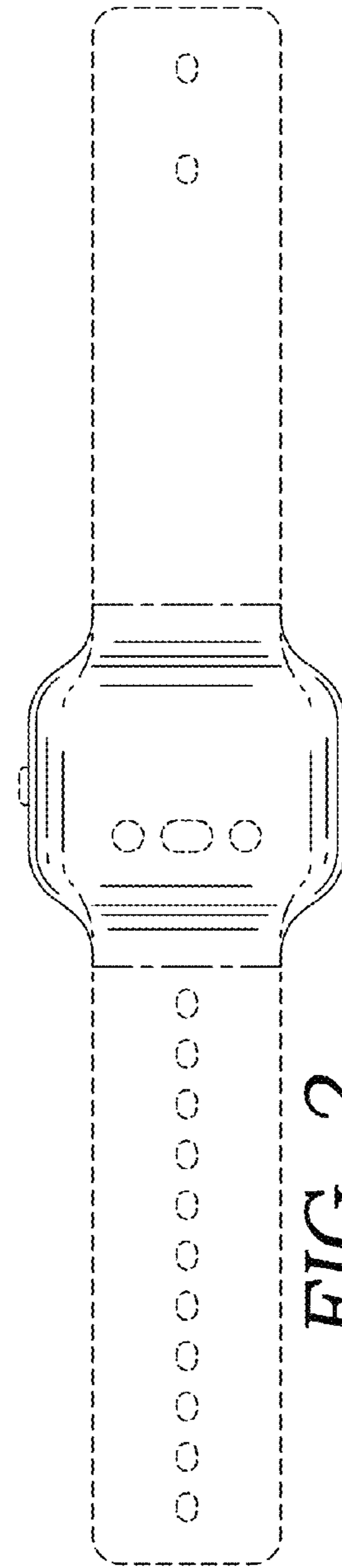


FIG. 2.



FIG. 5.



FIG. 6.