



US00D708978S

(12) **United States Design Patent**  
**Gelowitz**

(10) **Patent No.:** **US D708,978 S**  
(45) **Date of Patent:** **\*\* Jul. 15, 2014**

- (54) **ENCAPSULATED RFID CHIP**
- (71) Applicant: **Christopher D. Gelowitz**, Wetaskiwin (CA)
- (72) Inventor: **Christopher D. Gelowitz**, Wetaskiwin (CA)
- (73) Assignee: **InfoChip Systems Inc.**, Wetaskiwin (CA)
- (\*\*) Term: **14 Years**
- (21) Appl. No.: **29/439,680**
- (22) Filed: **Dec. 13, 2012**

**Related U.S. Application Data**

- (63) Continuation of application No. 13/083,373, filed on Apr. 8, 2011.
- (51) **LOC (10) Cl.** ..... **10-05**
- (52) **U.S. Cl.**  
USPC ..... **D10/106.9**
- (58) **Field of Classification Search**  
USPC ..... D10/106.9–106.92; D14/230, 496;  
292/318; 340/10.1  
See application file for complete search history.

**References Cited**

**U.S. PATENT DOCUMENTS**

- D662,949 S \* 7/2012 Otero et al. .... D14/496
- D671,921 S \* 12/2012 Beall et al. .... D14/230
- 8,353,544 B2 \* 1/2013 Fiedler ..... 292/318

2011/0291805 A1\* 12/2011 Gelowitz et al. .... 340/10.1  
\* cited by examiner

*Primary Examiner* — George D Kirschbaum  
(74) *Attorney, Agent, or Firm* — Donald V. Tomkins

(57) **CLAIM**  
The ornamental design for an encapsulated RFID chip, as shown and described.

**DESCRIPTION**

FIG. 1 is an isometric view of a first variant of an encapsulated RFID chip in accordance with the design.

FIG. 2 is an elevation view of the encapsulated RFID chip in FIG. 1.

FIG. 3 is an isometric view of a second variant of an encapsulated RFID chip in accordance with the design.

FIG. 4 is an elevation view of the encapsulated RFID chip in FIG. 3.

FIG. 5 is an isometric view of a third variant of an encapsulated RFID chip in accordance with the design.

FIG. 6 is an elevation view of the encapsulated RFID chip in FIG. 5.

FIG. 7 is a top plan view of an encapsulated RFID chip as in any of FIGS. 3 through 6.

FIG. 8 is a bottom plan view of an encapsulated RFID chip as in any of FIGS. 3 through 6.

FIG. 9 is a top plan view of an encapsulated RFID chip as in FIGS. 1 and 2; and,

FIG. 10 is a bottom plan view of an encapsulated RFID chip as in FIGS. 1 and 2.

**1 Claim, 5 Drawing Sheets**

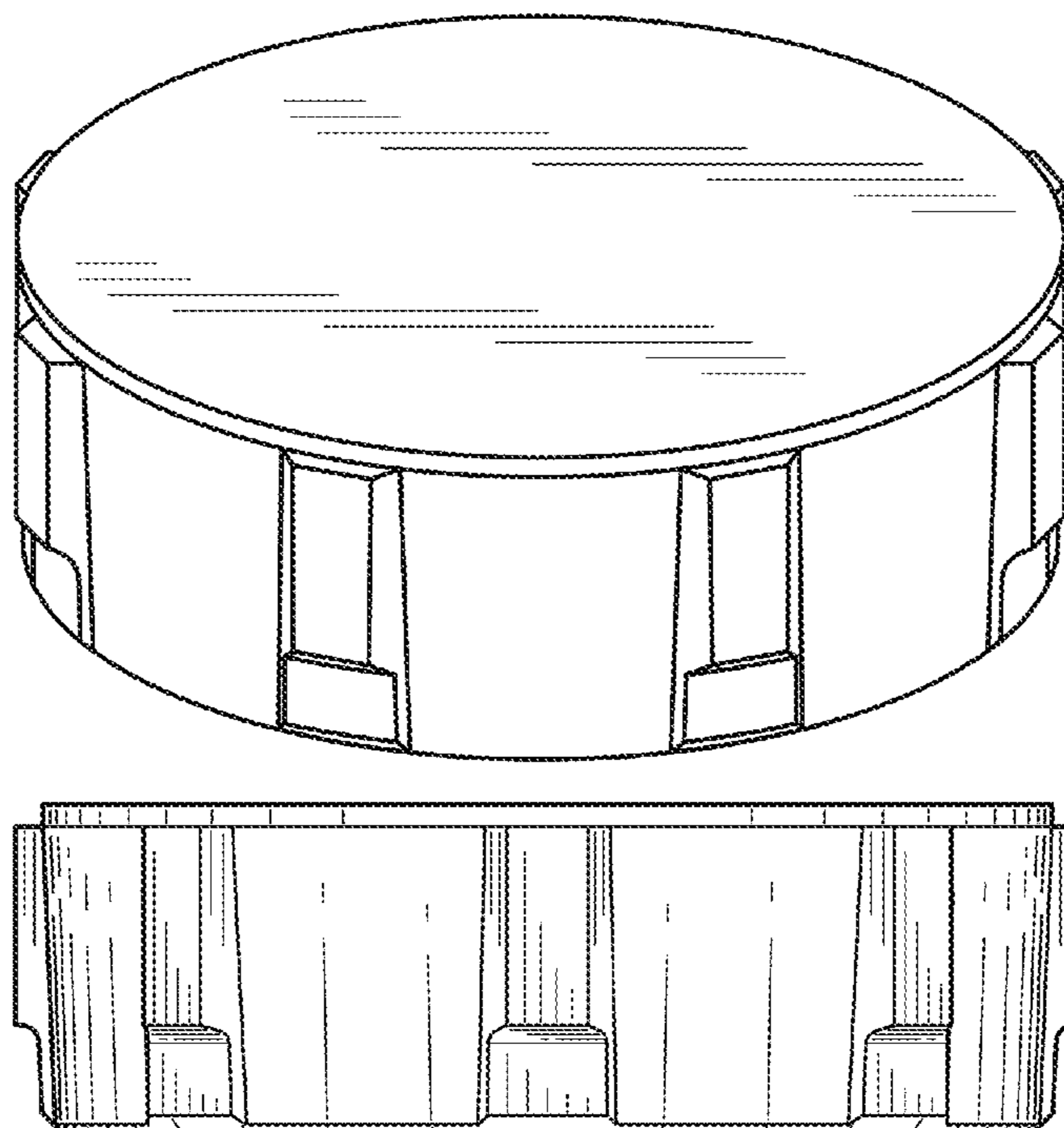


FIG. 1

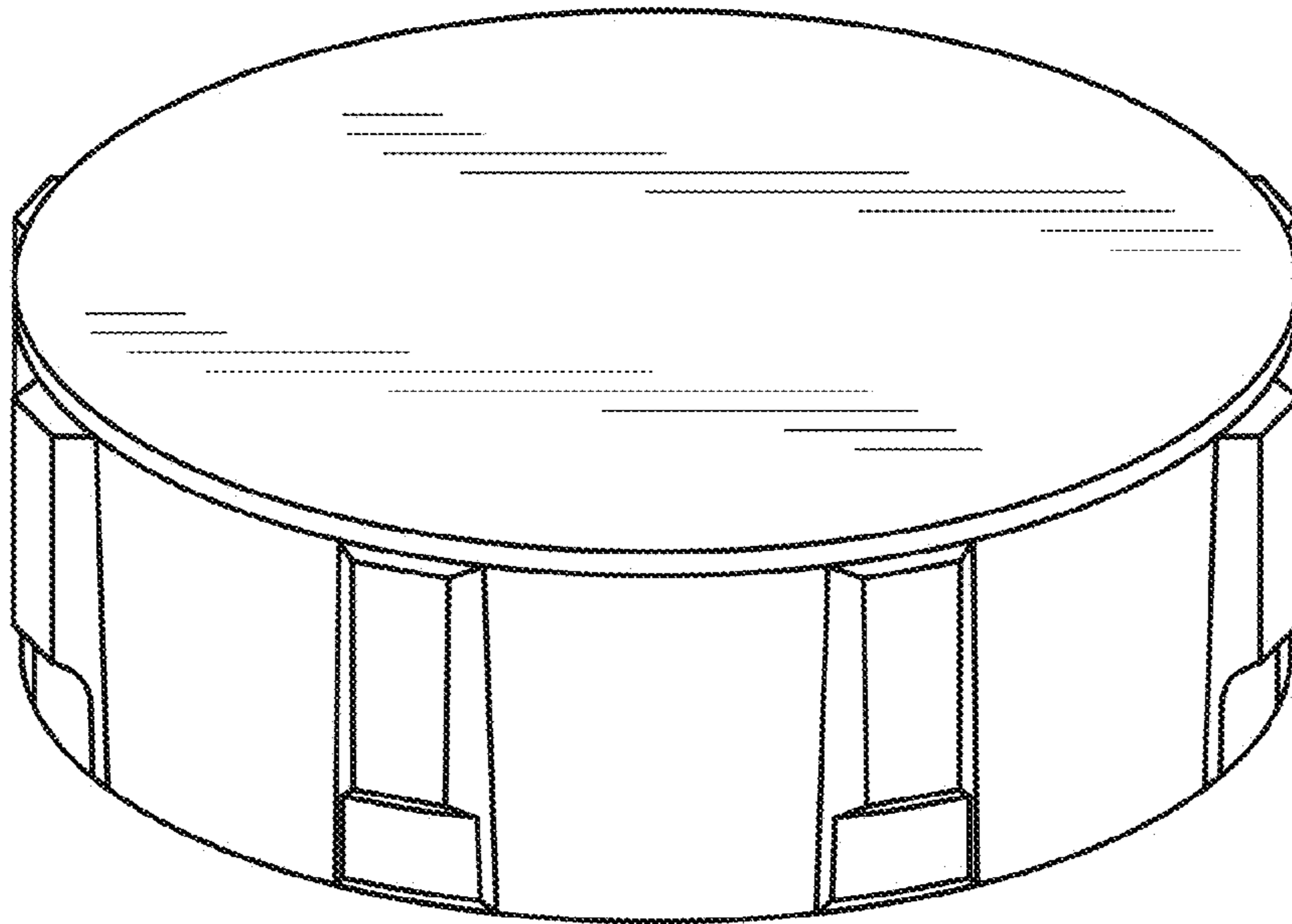


FIG. 2

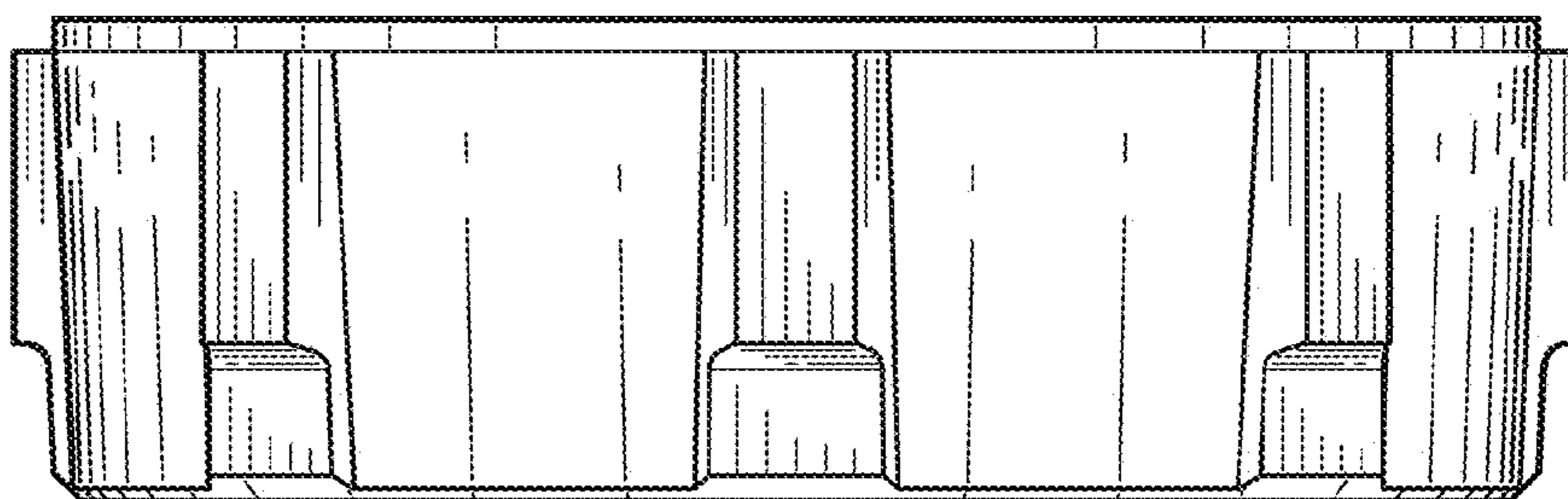


FIG. 3

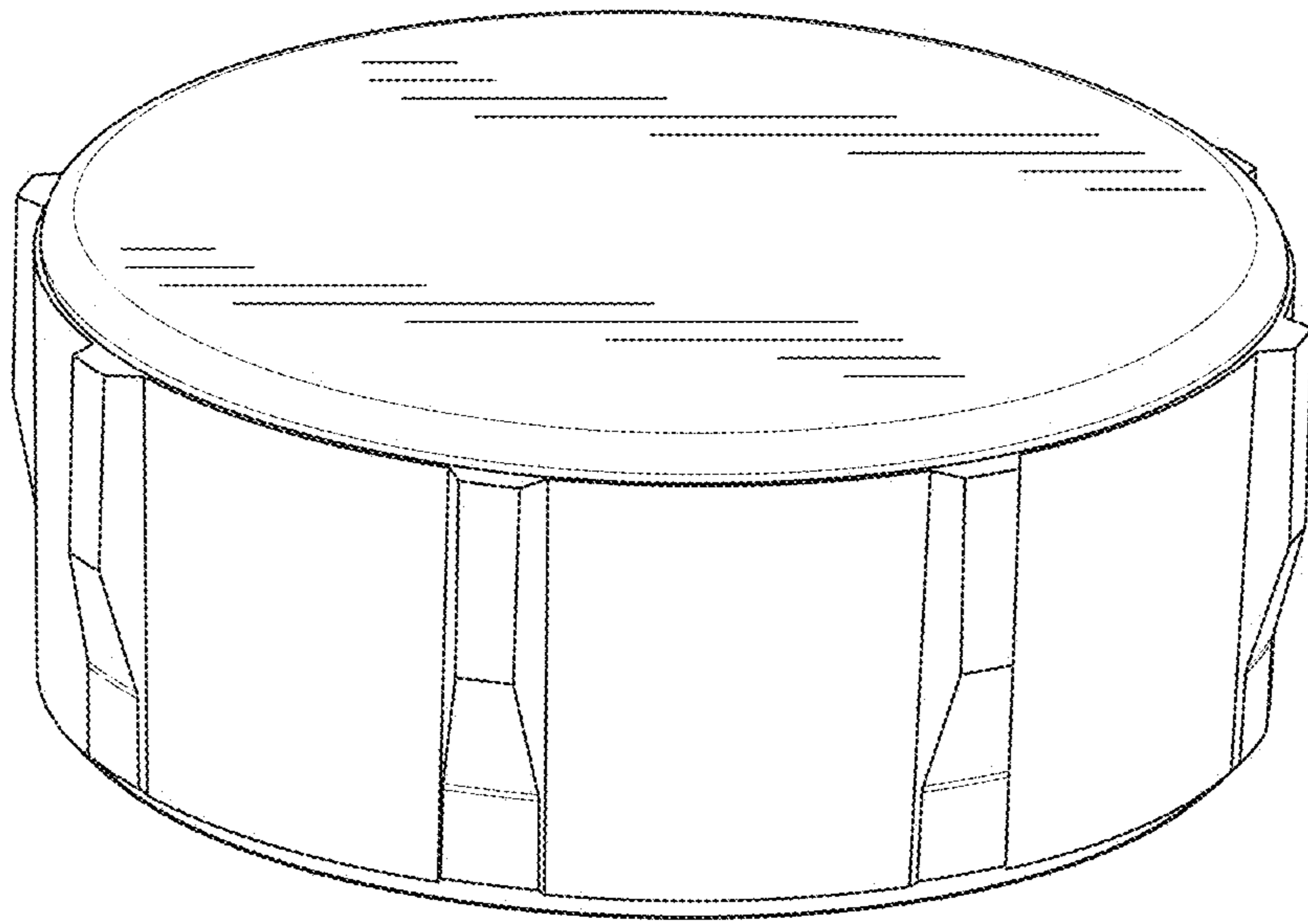


FIG. 4

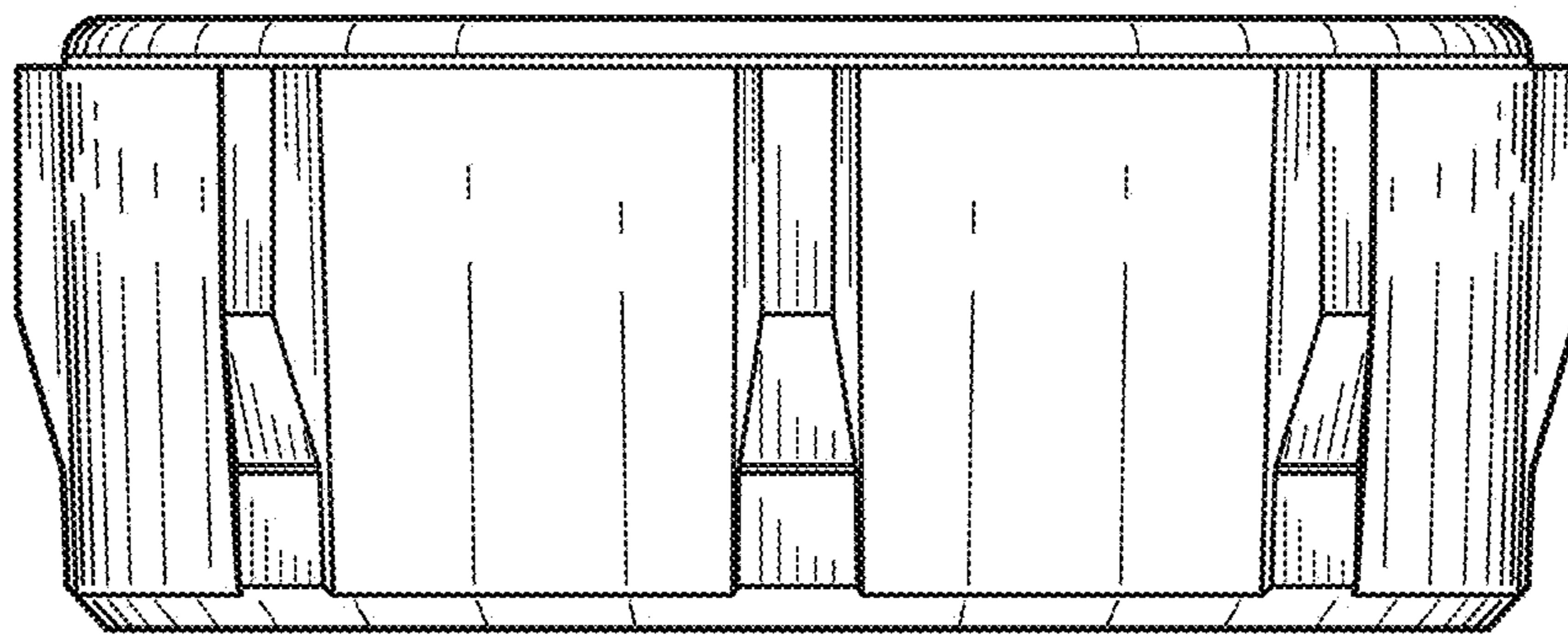


FIG. 5

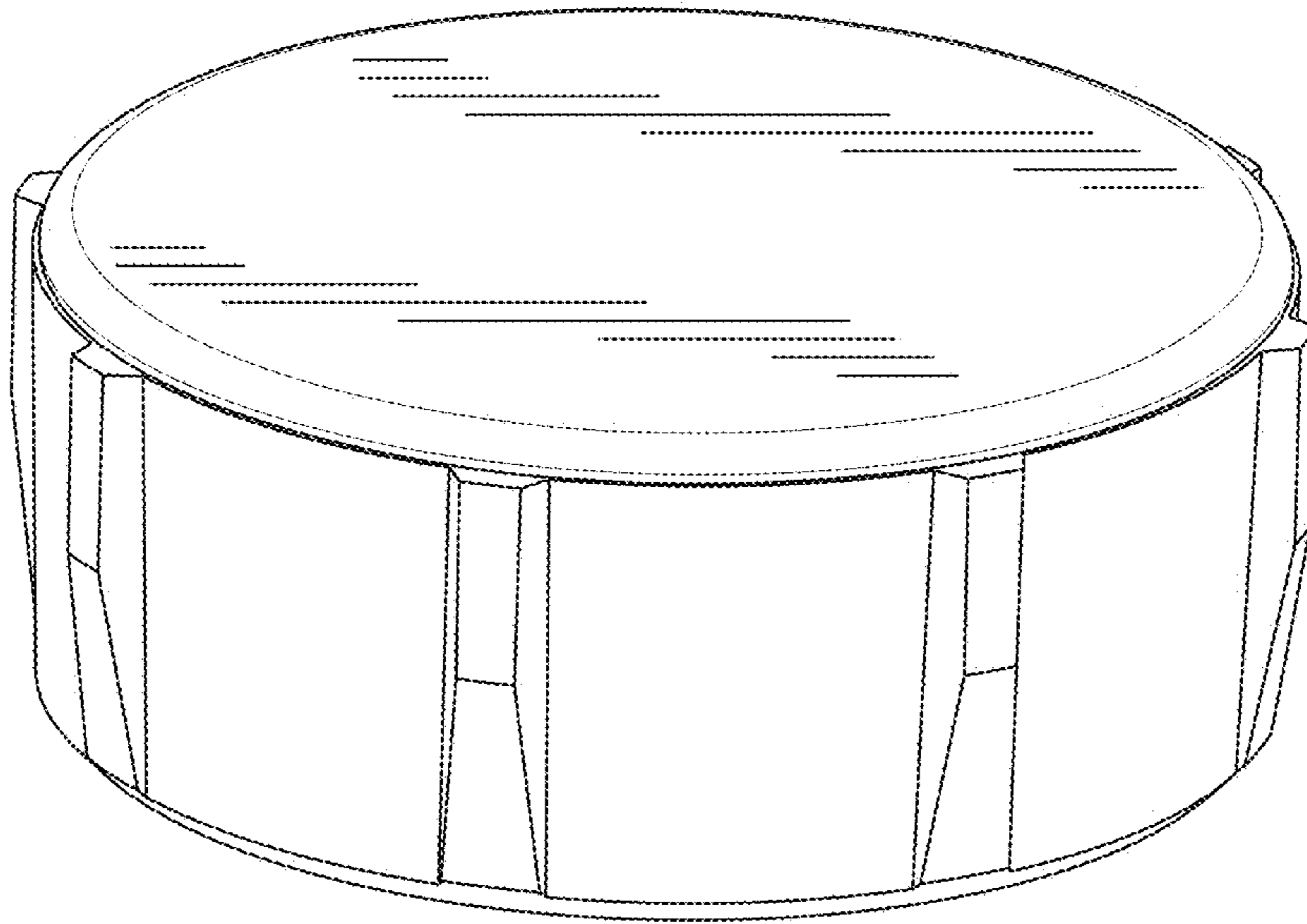


FIG. 6

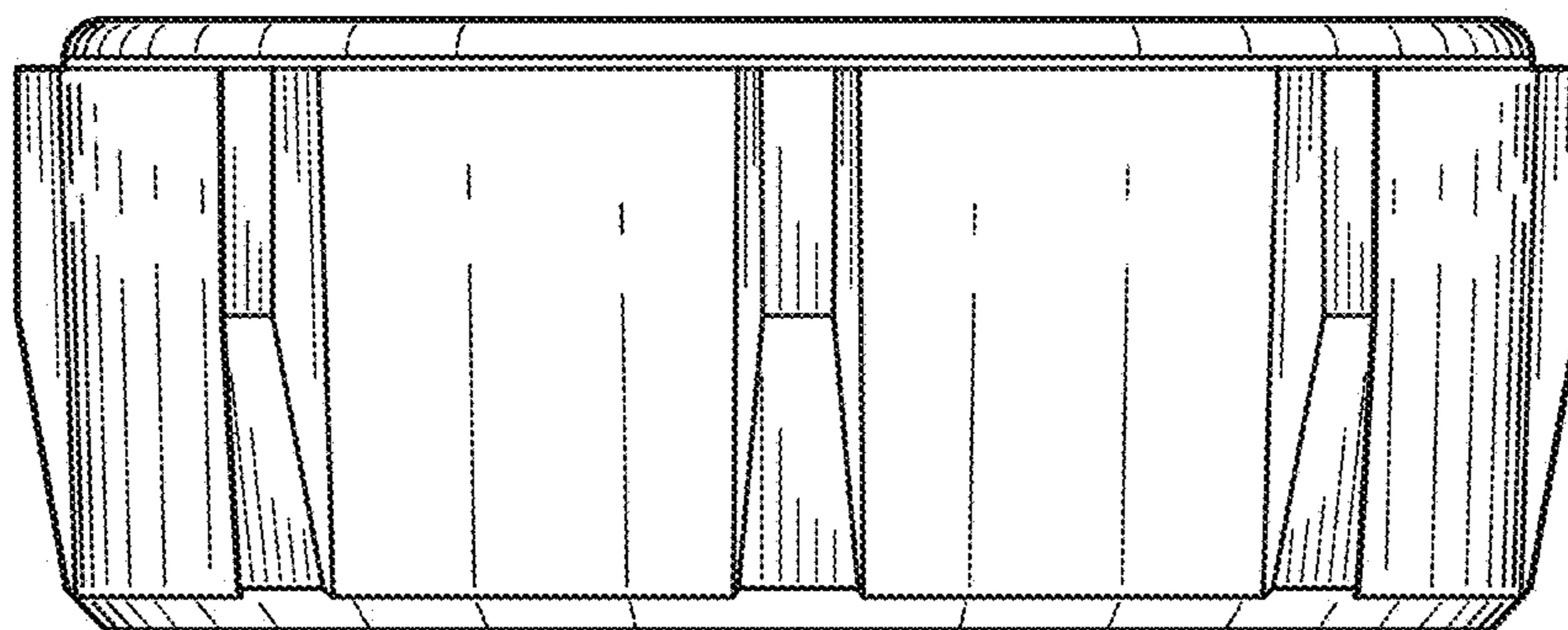


FIG. 7

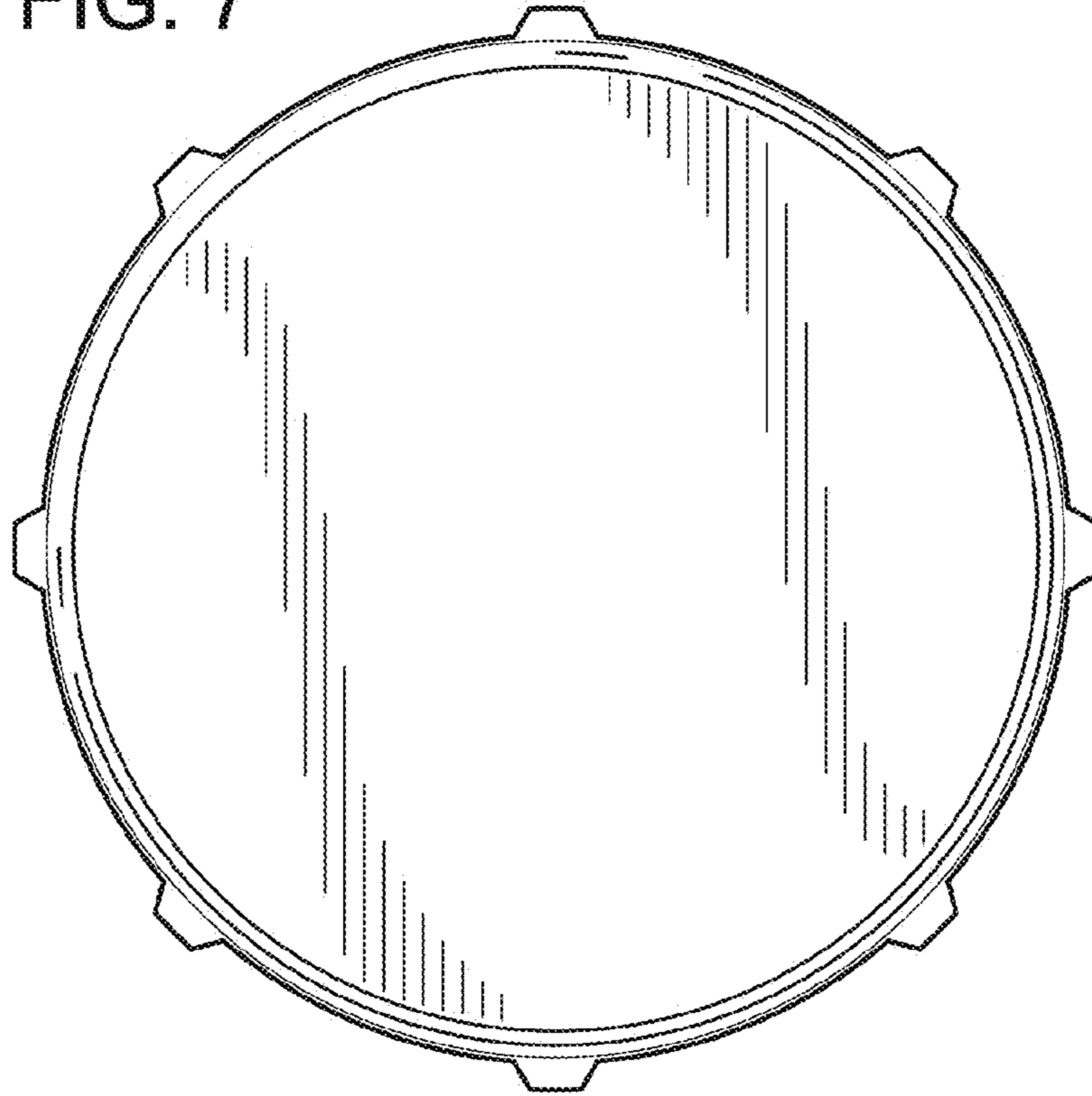


FIG. 8

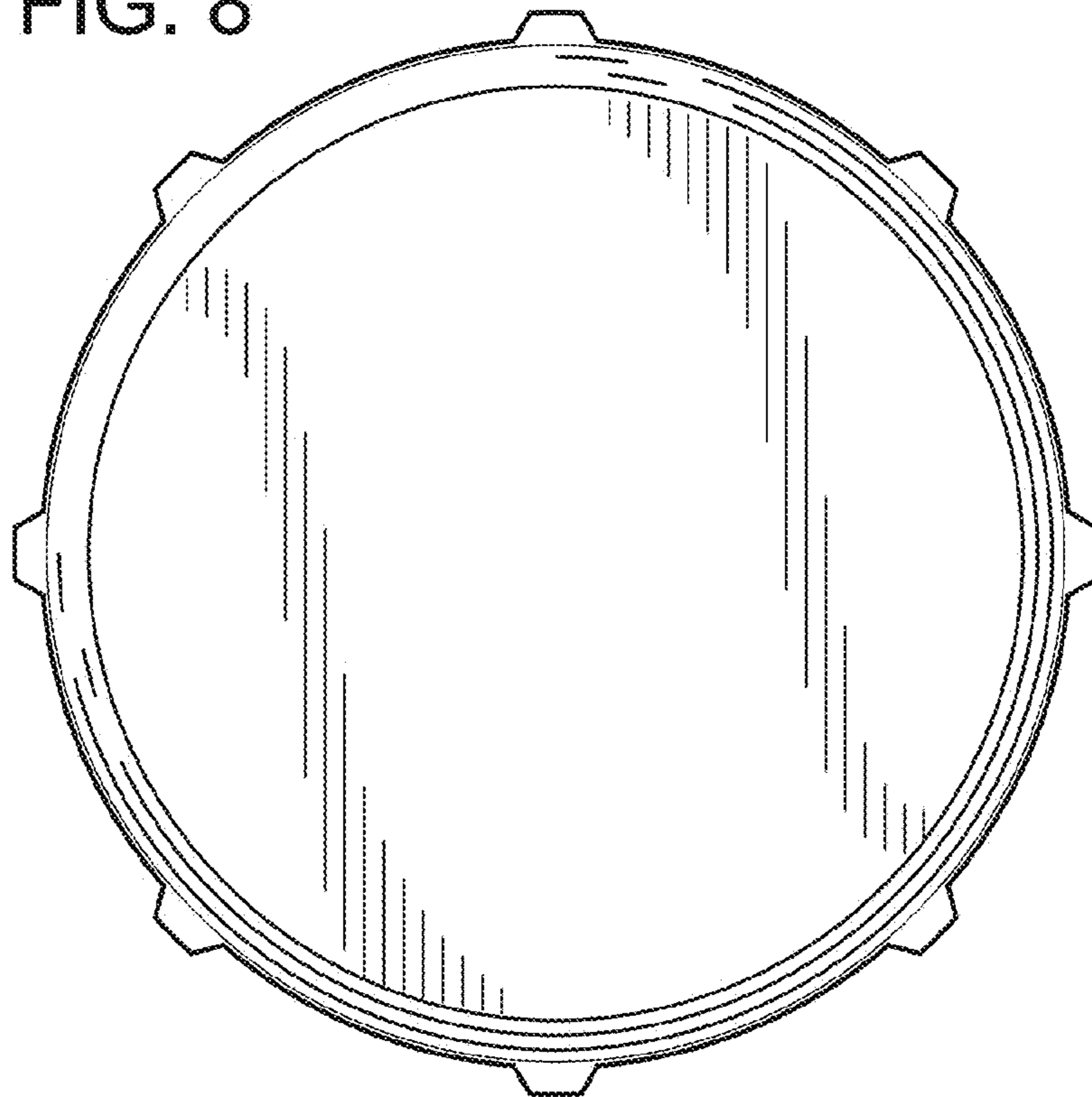


FIG. 9

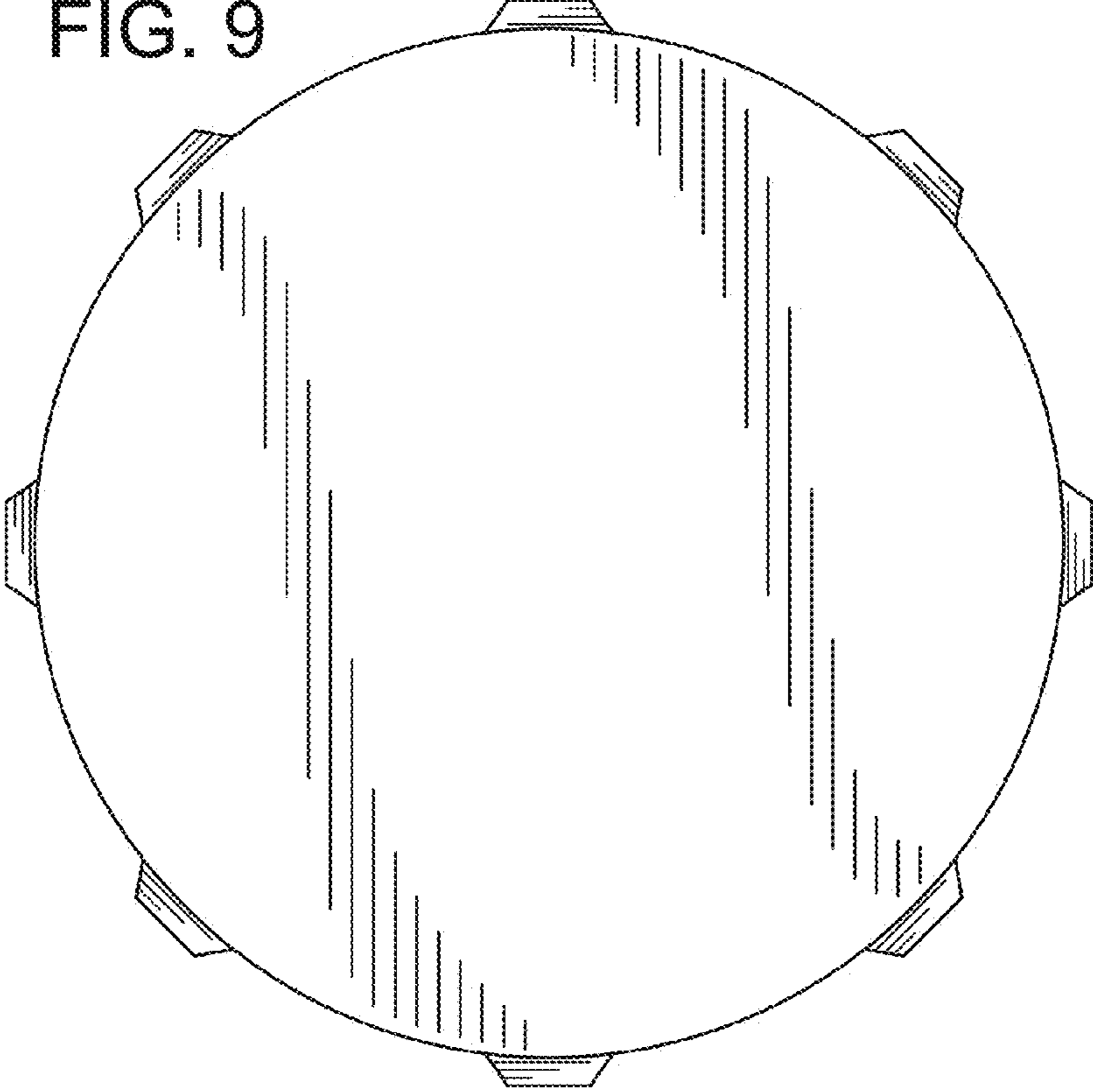


FIG. 10

