



US00D708976S

(12) **United States Design Patent**  
**Moeller**

(10) **Patent No.:** **US D708,976 S**

(45) **Date of Patent:** **\*\* Jul. 15, 2014**

(54) **ULTRASONIC MOVEMENT SENSOR**

(71) Applicant: **Steinel GmbH**, Herzebrock (DE)

(72) Inventor: **Thomas Moeller**, Herford (DE)

(73) Assignee: **Steinel GmbH**, Herzebrock (DE)

(\*\*) Term: **14 Years**

(21) Appl. No.: **29/451,900**

(22) Filed: **Apr. 10, 2013**

(51) **LOC (10) Cl.** ..... **10-05**

(52) **U.S. Cl.**

USPC ..... **D10/106.7**

(58) **Field of Classification Search**

USPC ..... D10/106.1–106.5, 104.1, 106.9, 106.95,  
D10/108, 106.7; 340/521, 540–545, 555,  
340/558, 571–573

See application file for complete search history.

(56) **References Cited**

U.S. PATENT DOCUMENTS

D459,264 S *	6/2002	Wong .....	D10/106.7
D511,705 S *	11/2005	Bandringa et al. ....	D10/106.7
D548,125 S *	8/2007	Bandringa et al. ....	D10/106.7
D648,237 S *	11/2011	Ardinghi et al. ....	D10/106.7

\* cited by examiner

*Primary Examiner* — George D Kirschbaum

(74) *Attorney, Agent, or Firm* — Bachman & LaPointe, P.C.

(57) **CLAIM**

The ornamental design for an ultrasonic movement sensor, as shown and described.

**DESCRIPTION**

FIG. 1 is a perspective view of the ornamental design of a ultrasonic movement sensor in accordance with the present invention;

FIG. 2 is a top view of the embodiment of FIG. 1;

FIG. 3 is a bottom view of the embodiment of FIG. 1;

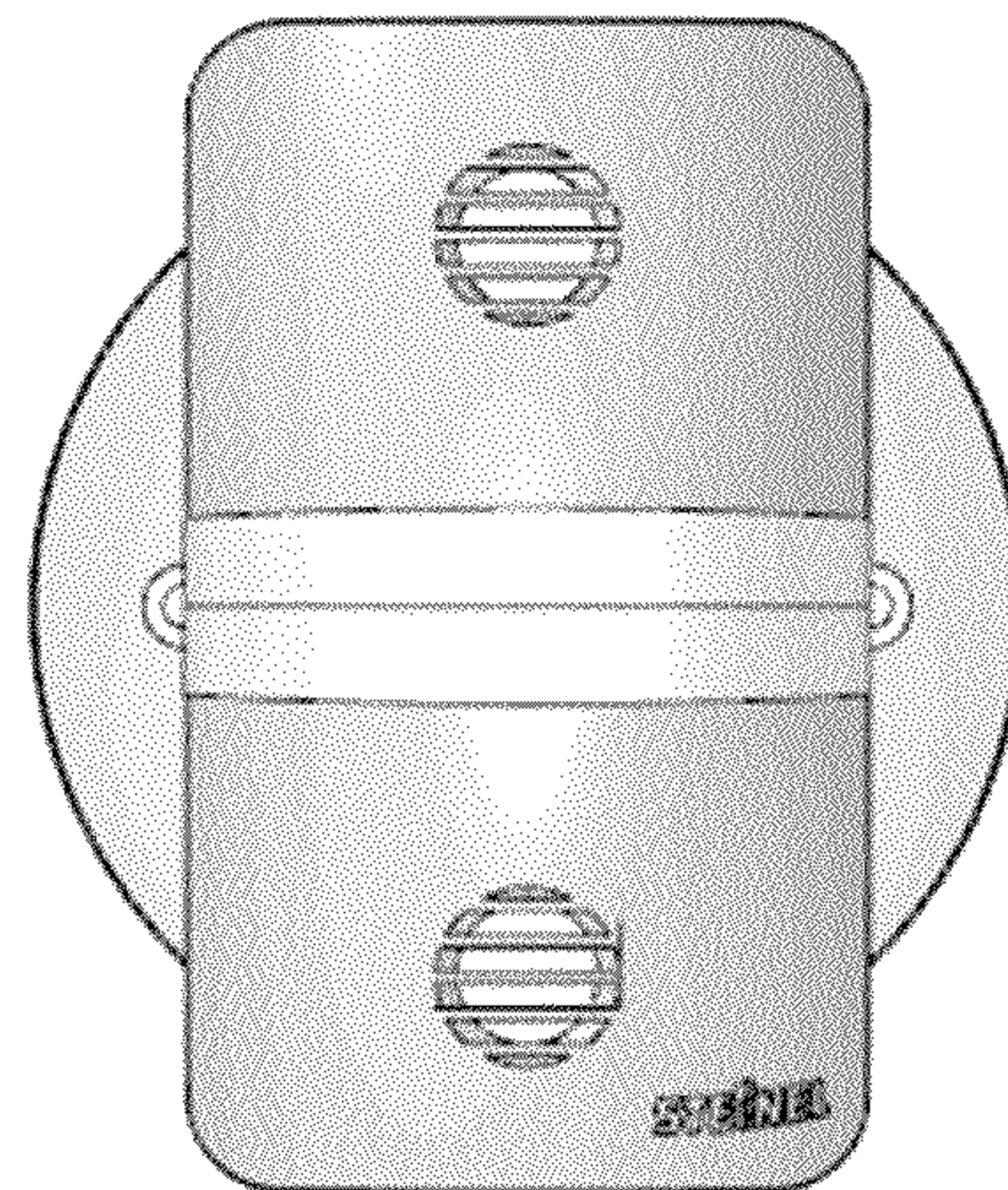
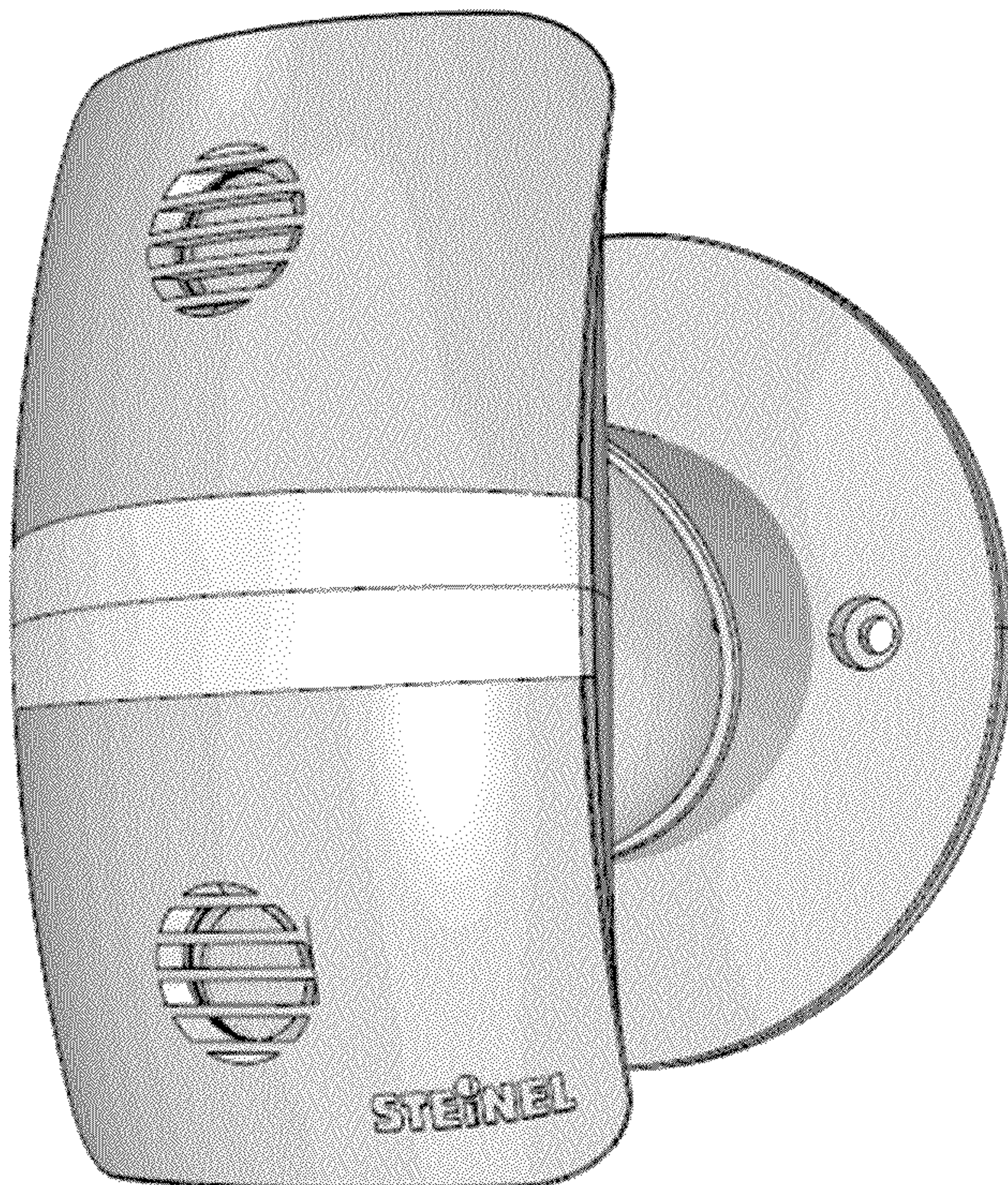
FIG. 4 is a left side view of the embodiment of FIG. 1;

FIG. 5 is a right side view of the embodiment of the present invention; and

FIG. 6 is an end view of the embodiment of FIG. 1; and,

FIG. 7 is the other end view of the embodiment of FIG. 1.

**1 Claim, 4 Drawing Sheets**





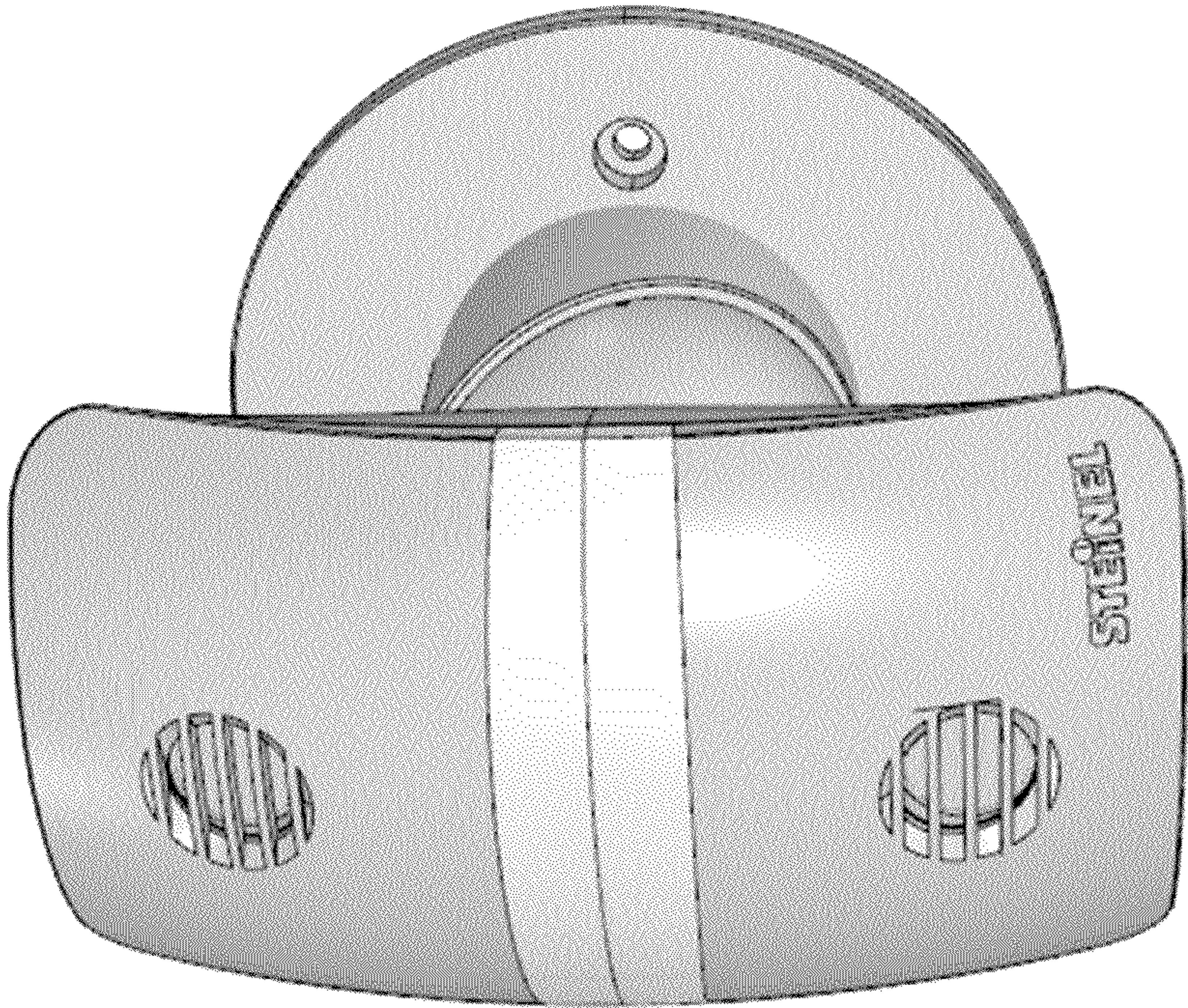


FIG. 1



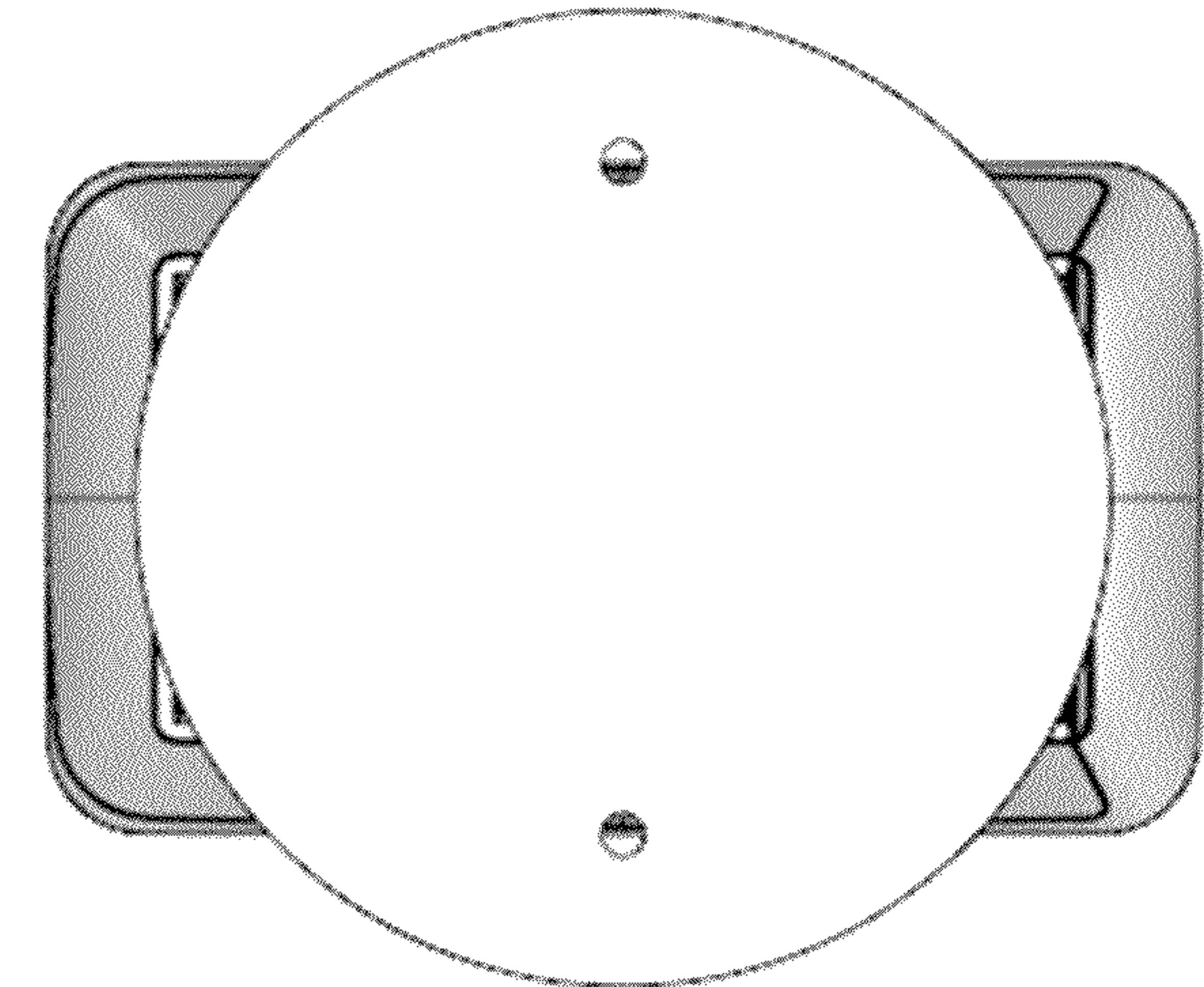


FIG. 2

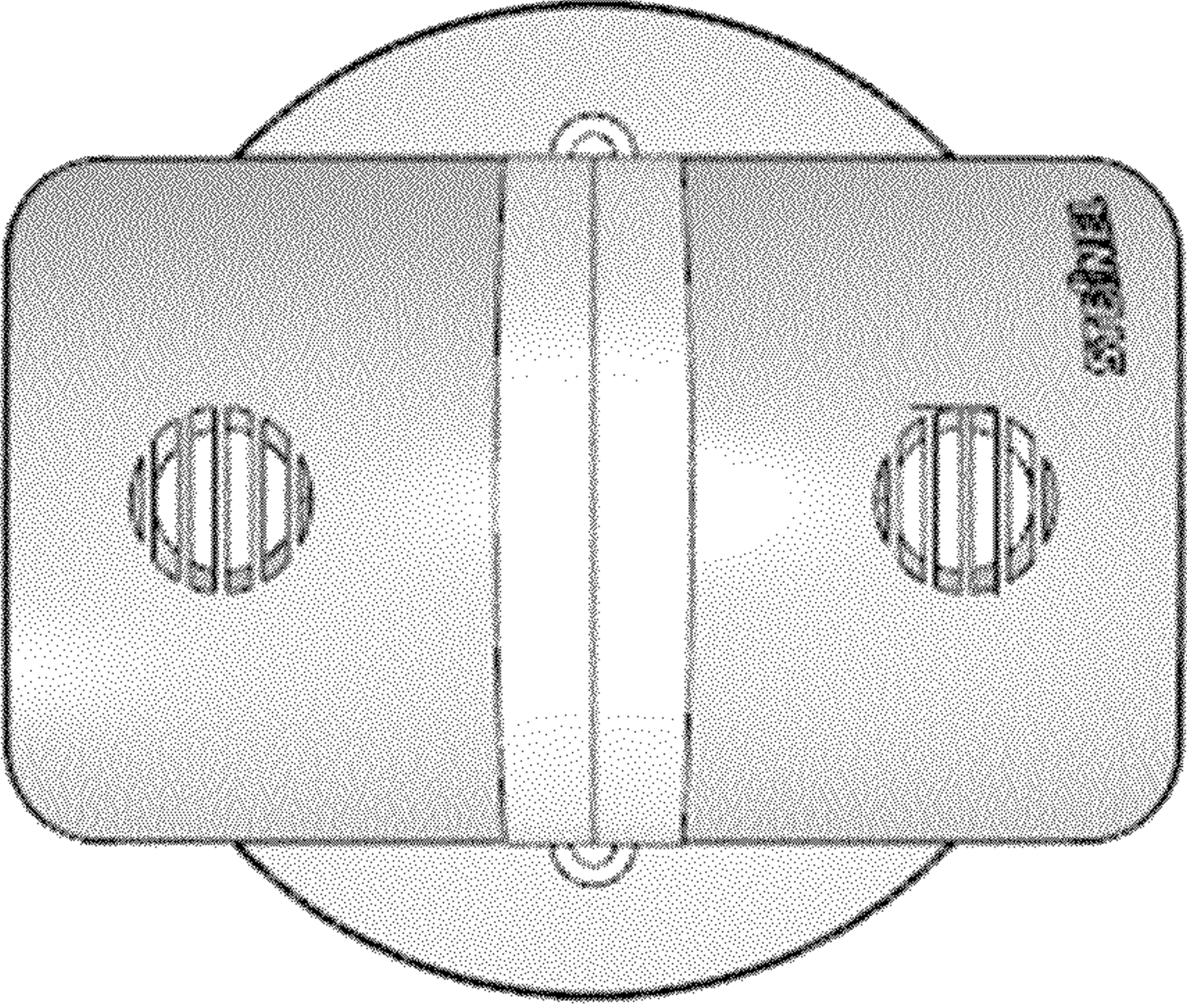


FIG. 3



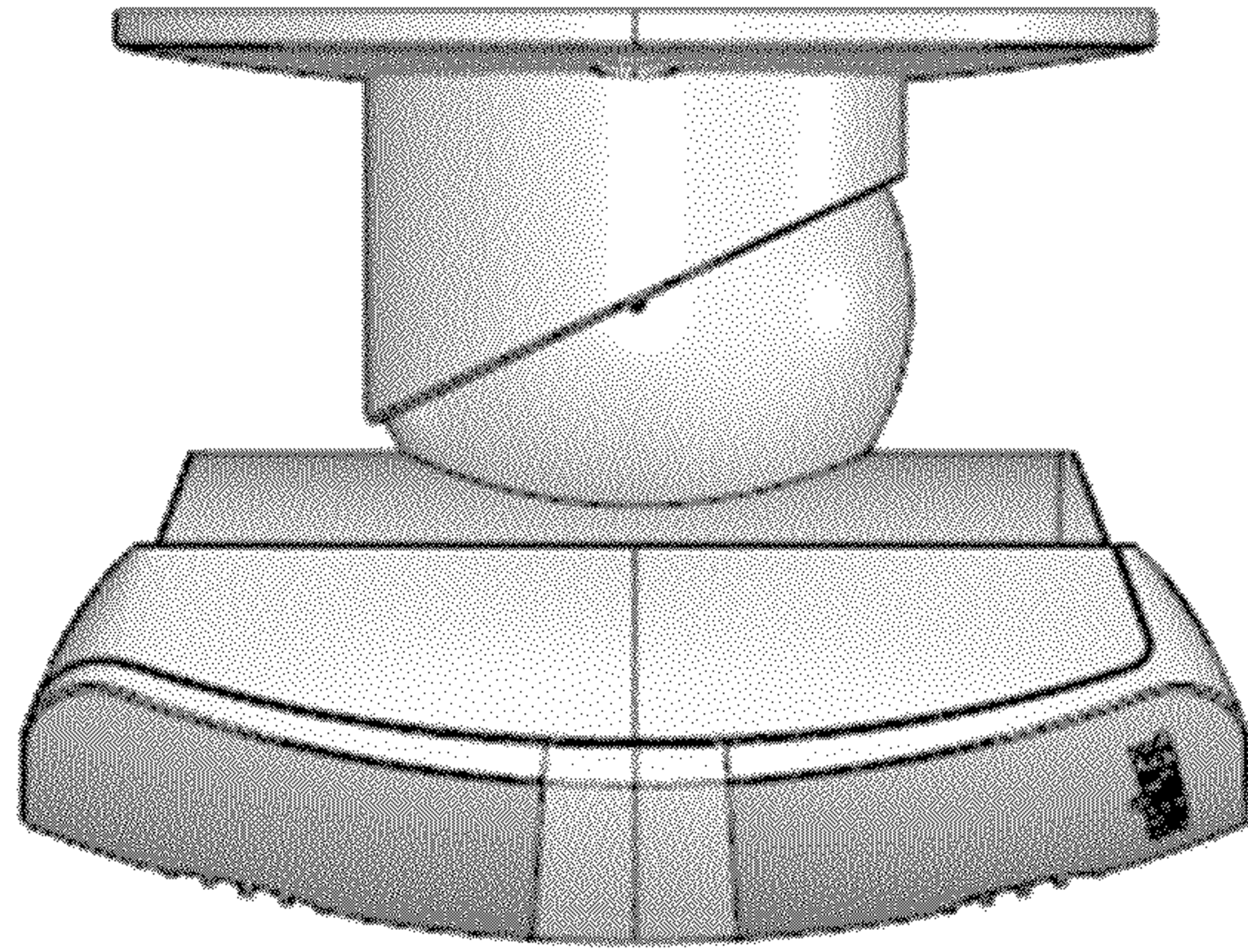


FIG. 5

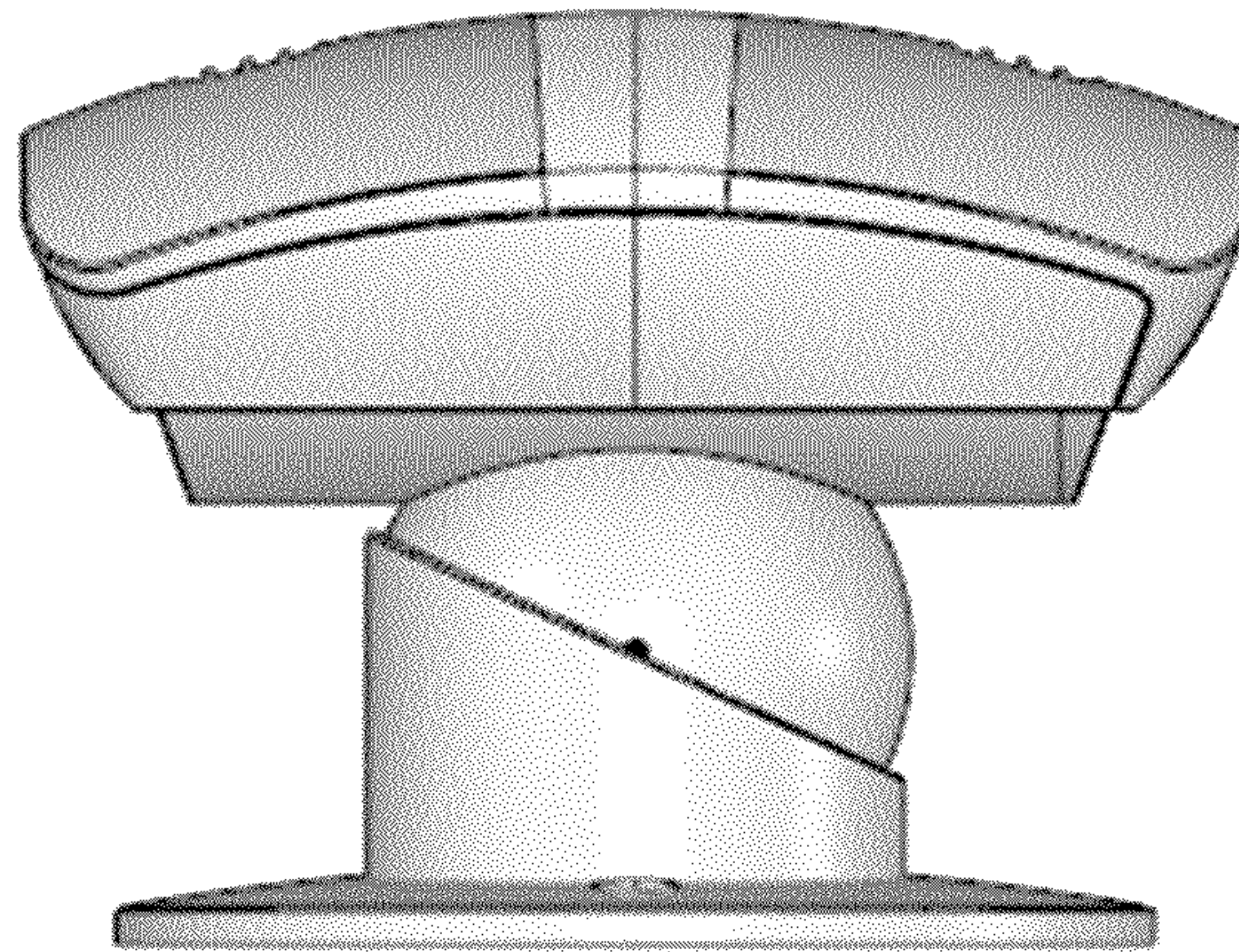


FIG. 4

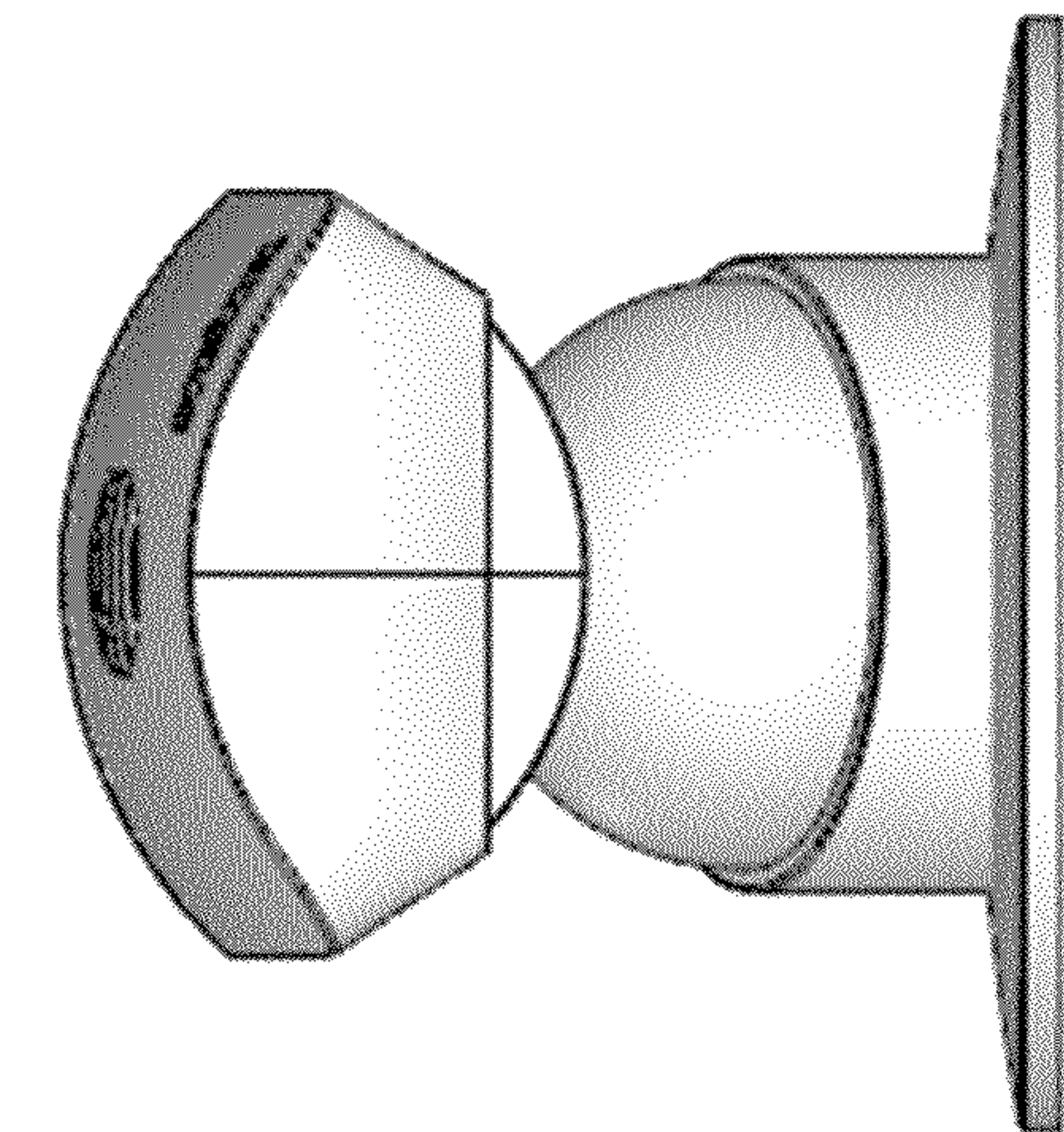


FIG. 6

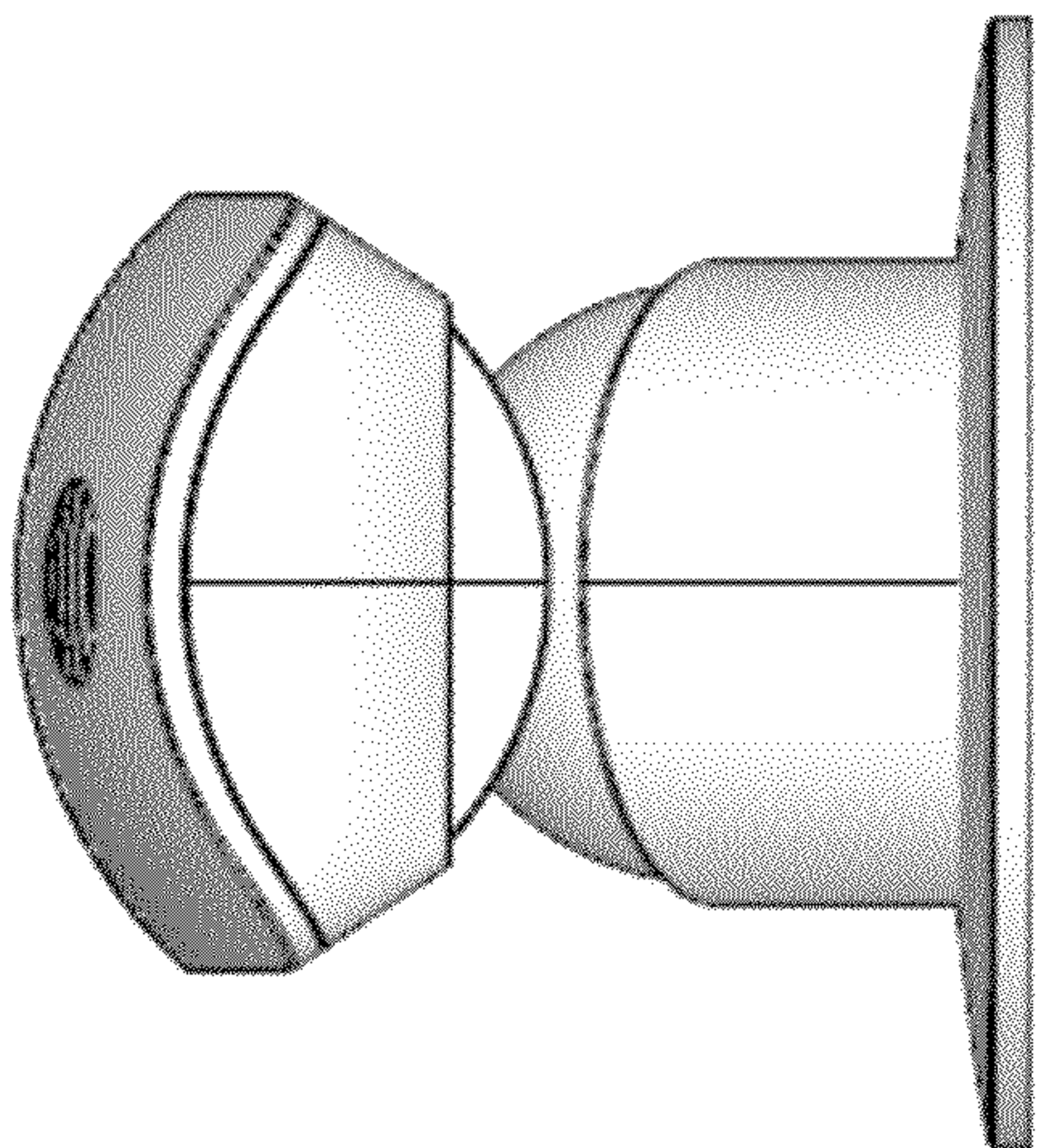


FIG. 7