



US00D708975S

(12) **United States Design Patent**
Varga

(10) **Patent No.:** **US D708,975 S**
(45) **Date of Patent:** **** Jul. 15, 2014**

(54) **TUB AND SINK OVERFLOW ALARM**

(71) Applicant: **Jeffrey Varga**, Greensboro, NC (US)

(72) Inventor: **Jeffrey Varga**, Greensboro, NC (US)

(**) Term: **14 Years**

(21) Appl. No.: **29/438,408**

(22) Filed: **Nov. 29, 2012**

(51) **LOC (10) Cl.** **10-05**

(52) **U.S. Cl.**
USPC **D10/106.1**

(58) **Field of Classification Search**
USPC D10/106.1; 200/84 R
See application file for complete search history.

(56) **References Cited**

U.S. PATENT DOCUMENTS

- 1,506,101 A * 8/1924 Winkler et al. 200/84 R
- D311,702 S * 10/1990 Kern D10/106.1
- D316,231 S * 4/1991 Inglima D10/106.1

- D320,171 S * 9/1991 Kolbatz D10/106.1
- D353,548 S * 12/1994 Witzke D10/106.1
- D366,004 S * 1/1996 Poliah D10/106.1

* cited by examiner

Primary Examiner — George D Kirschbaum

(74) *Attorney, Agent, or Firm* — QuickPatents; Kevin Prince

(57) **CLAIM**

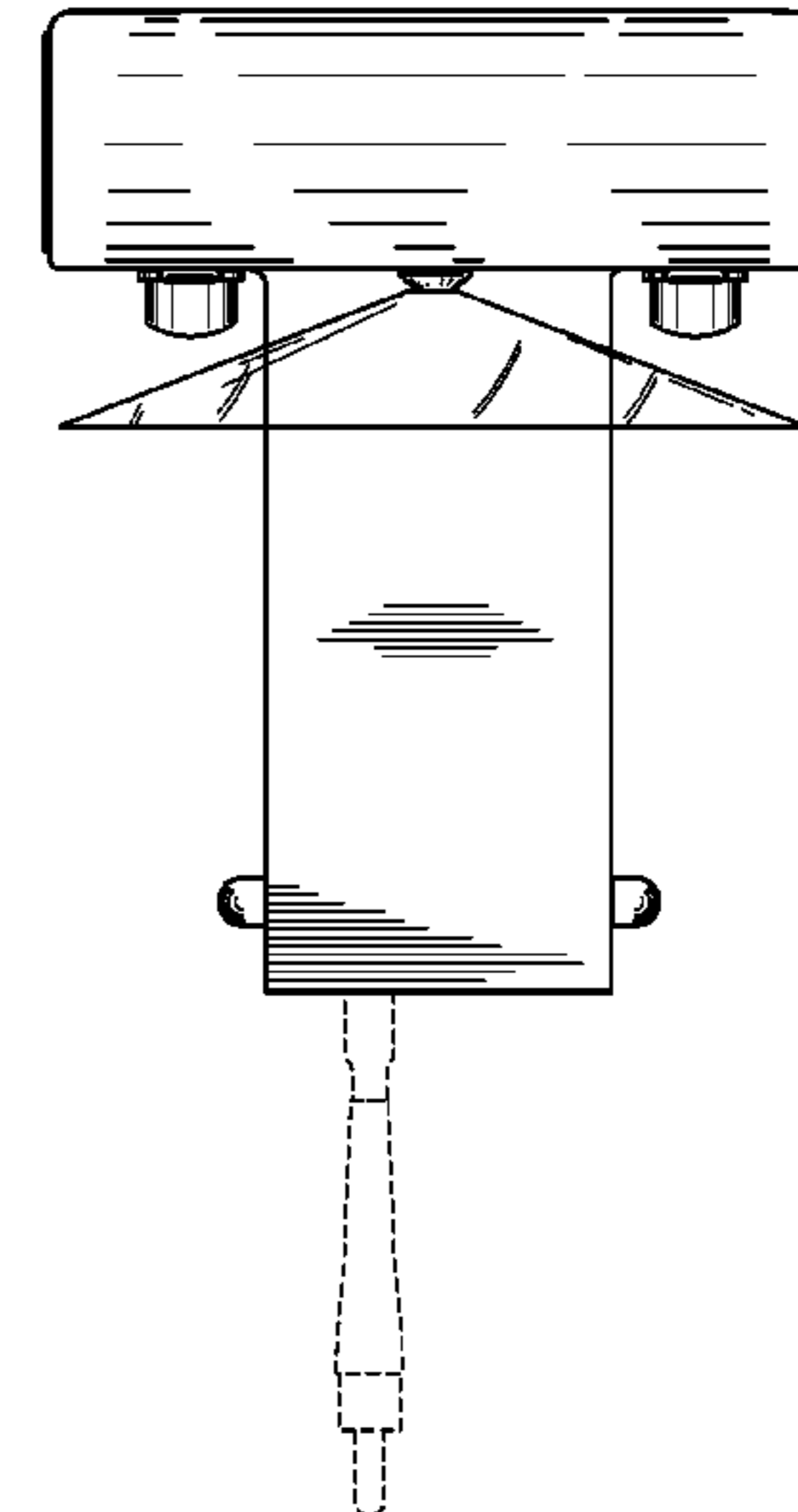
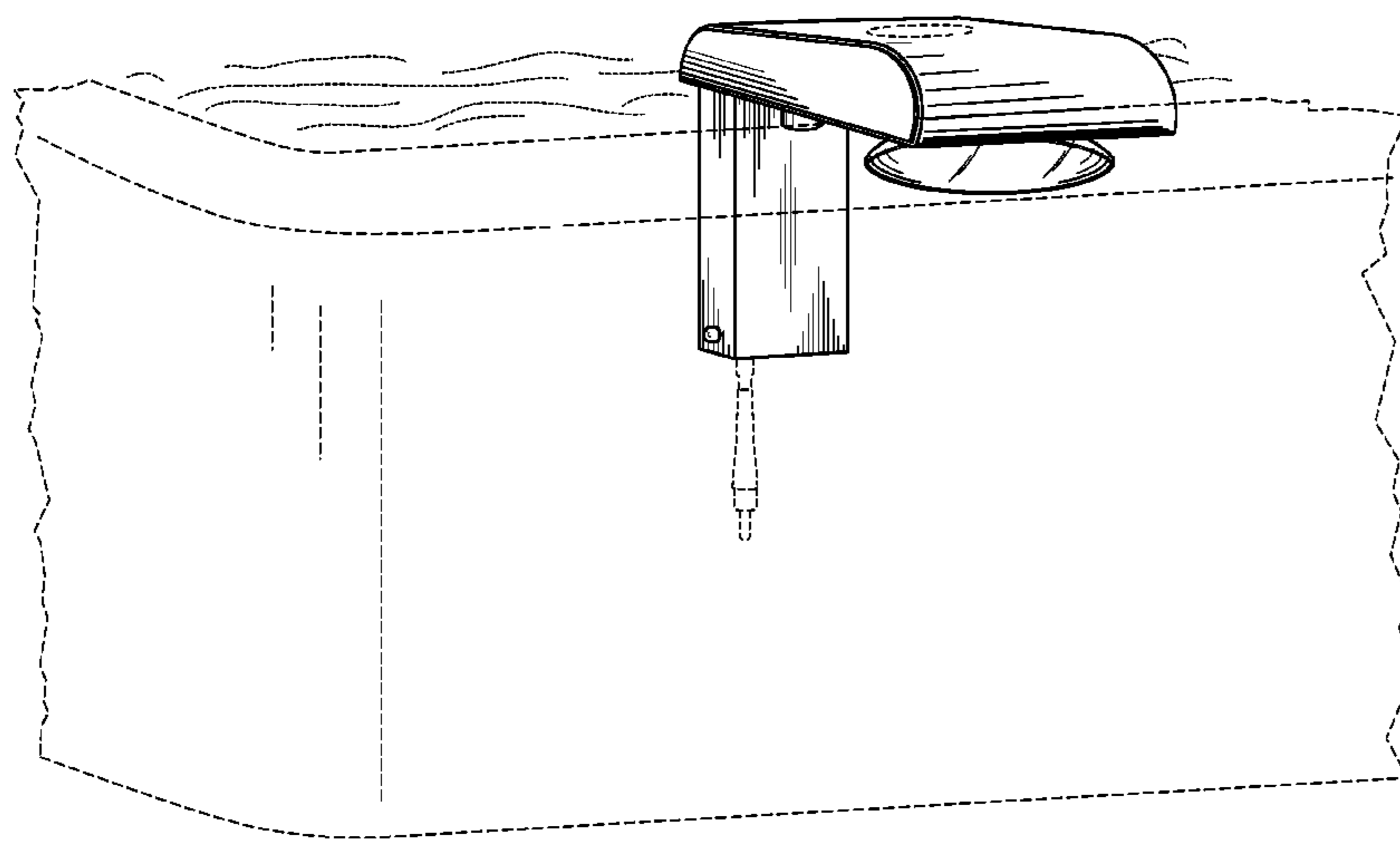
I claim the ornamental design for a tub and sink overflow alarm, as shown and described.

DESCRIPTION

FIG. 1 is a perspective view of a tub and sink overflow alarm, showing my new design;
 FIG. 2 is a front elevational view thereof;
 FIG. 3 is a rear elevational view thereof;
 FIG. 4 is a left-side elevational view thereof, the right-side elevational view being a mirror image thereof;
 FIG. 5 is a top plan view thereof; and,
 FIG. 6 is a bottom plan view thereof.

The broken lines showing a bathtub with water in FIG. 1, and a temperature probe and display in the figures, depict environmental matter and form no part of the claimed design.

1 Claim, 4 Drawing Sheets



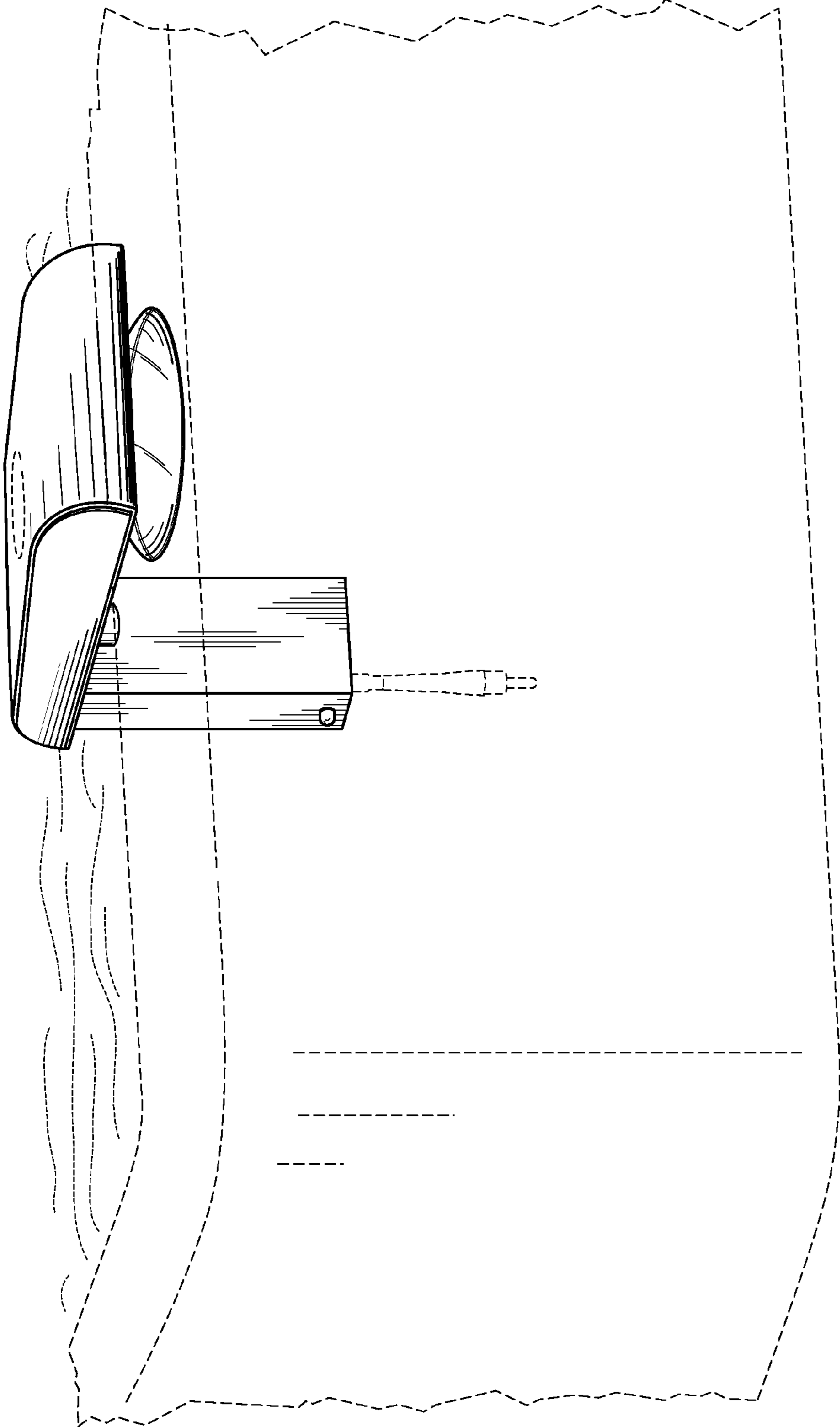


FIG. 1

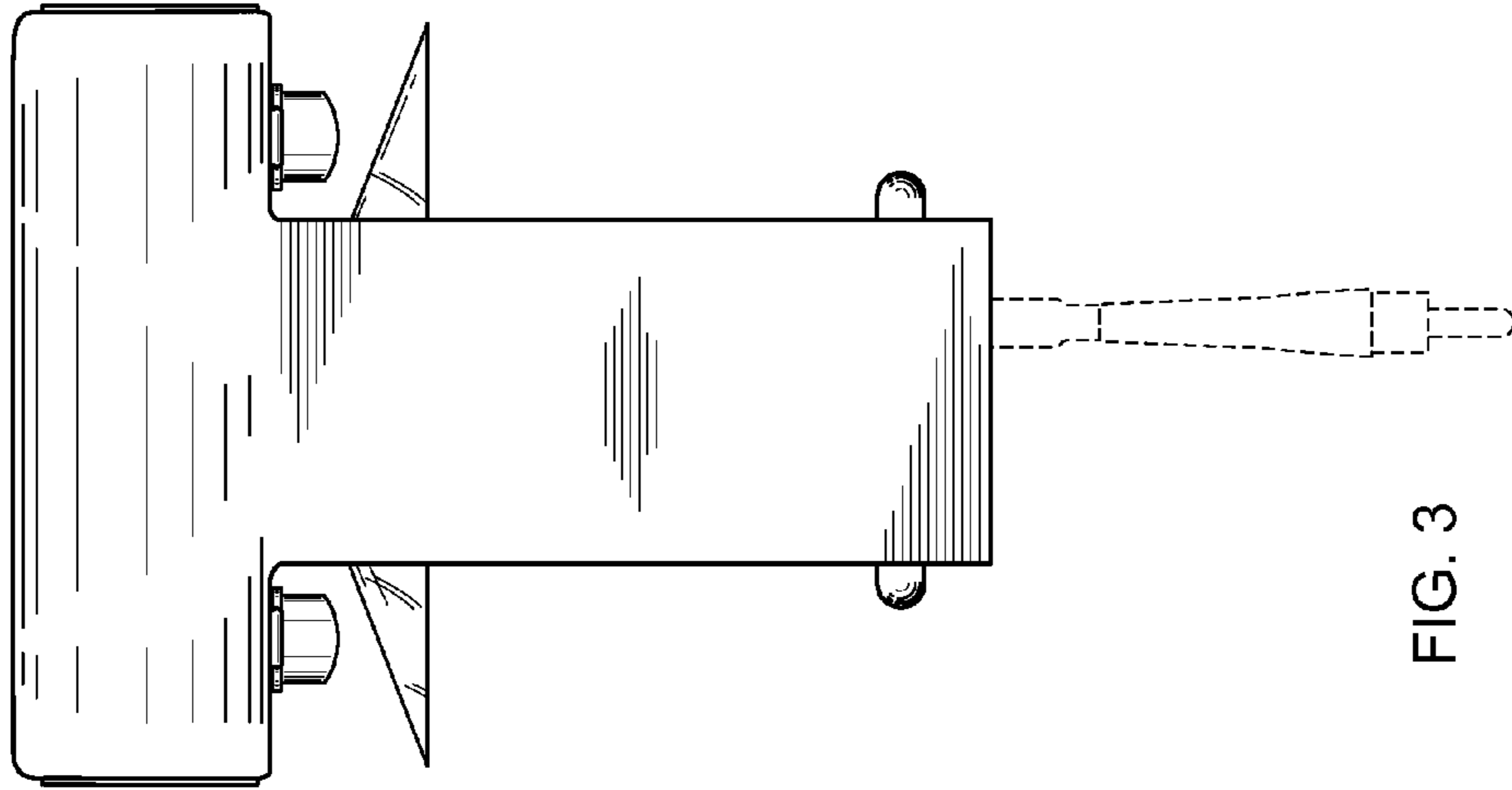


FIG. 3

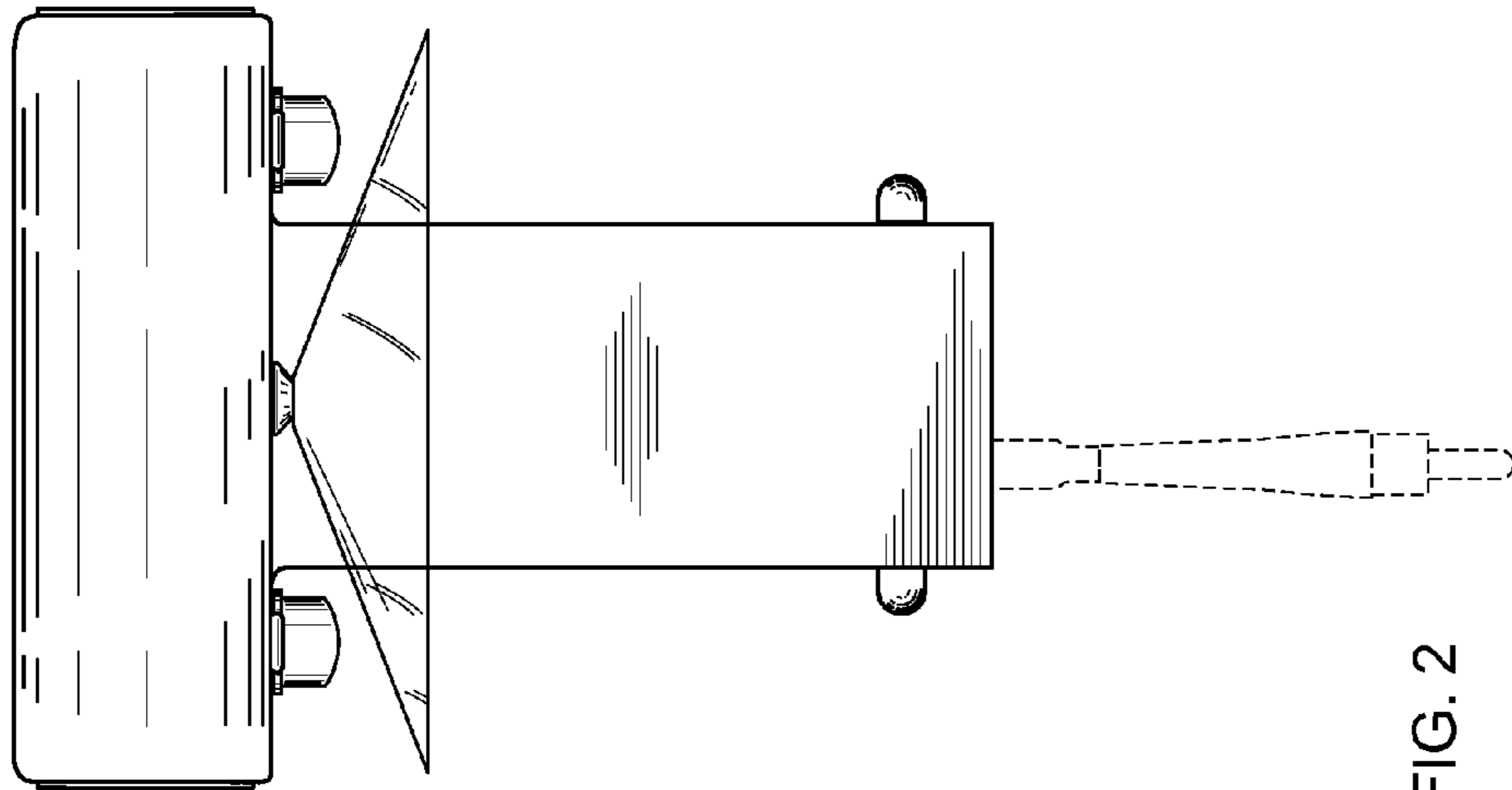


FIG. 2

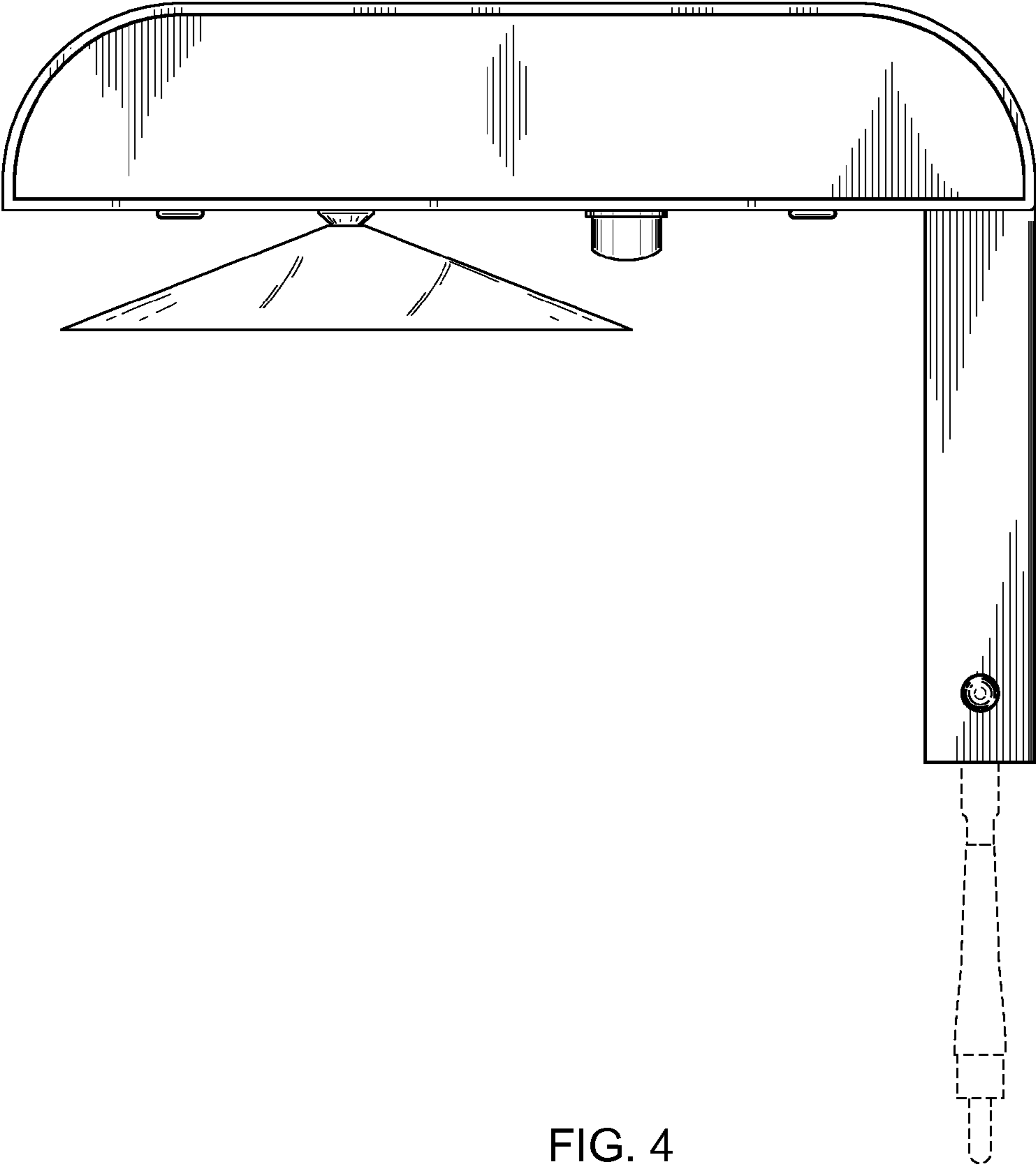


FIG. 4

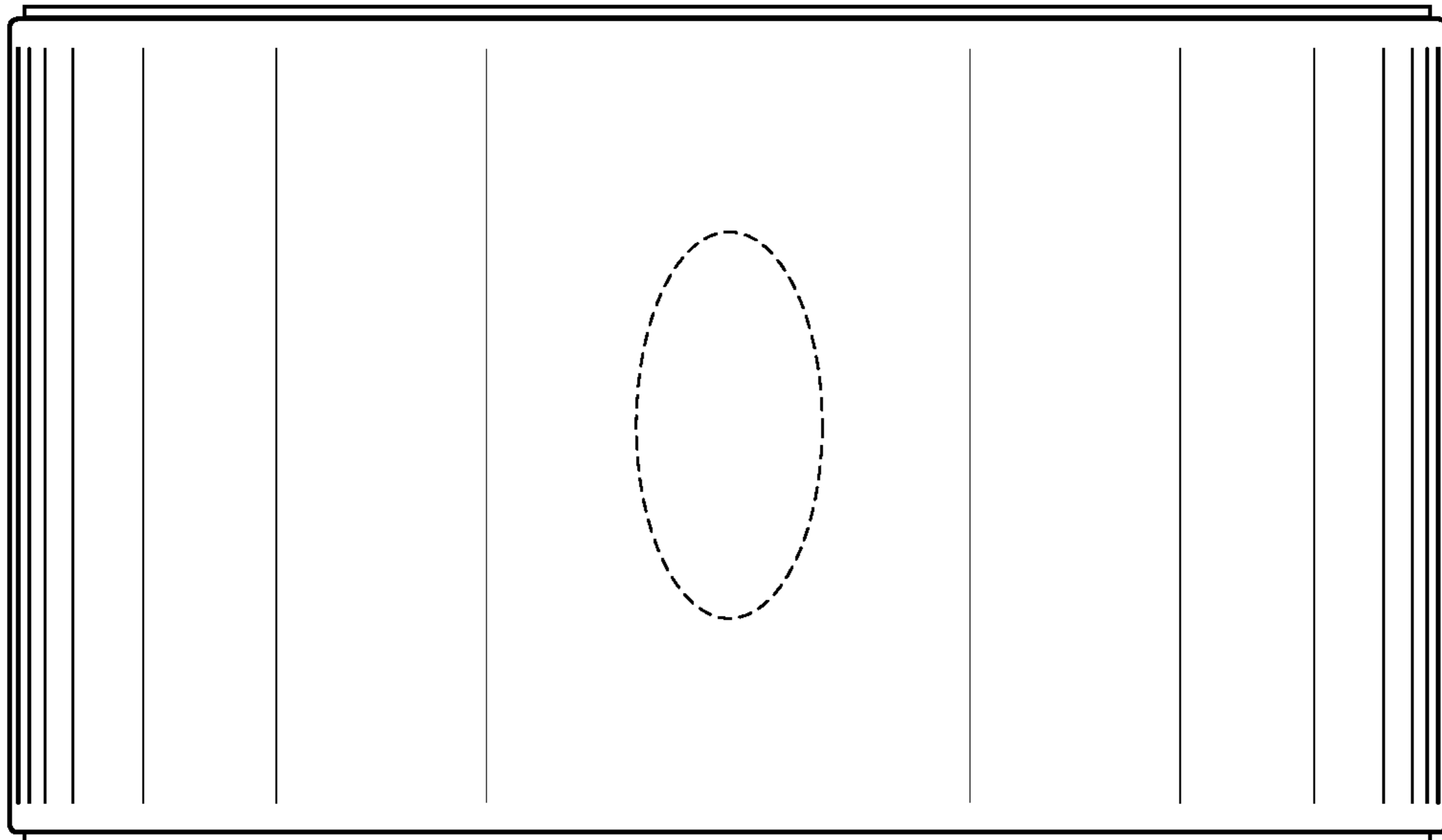


FIG. 5

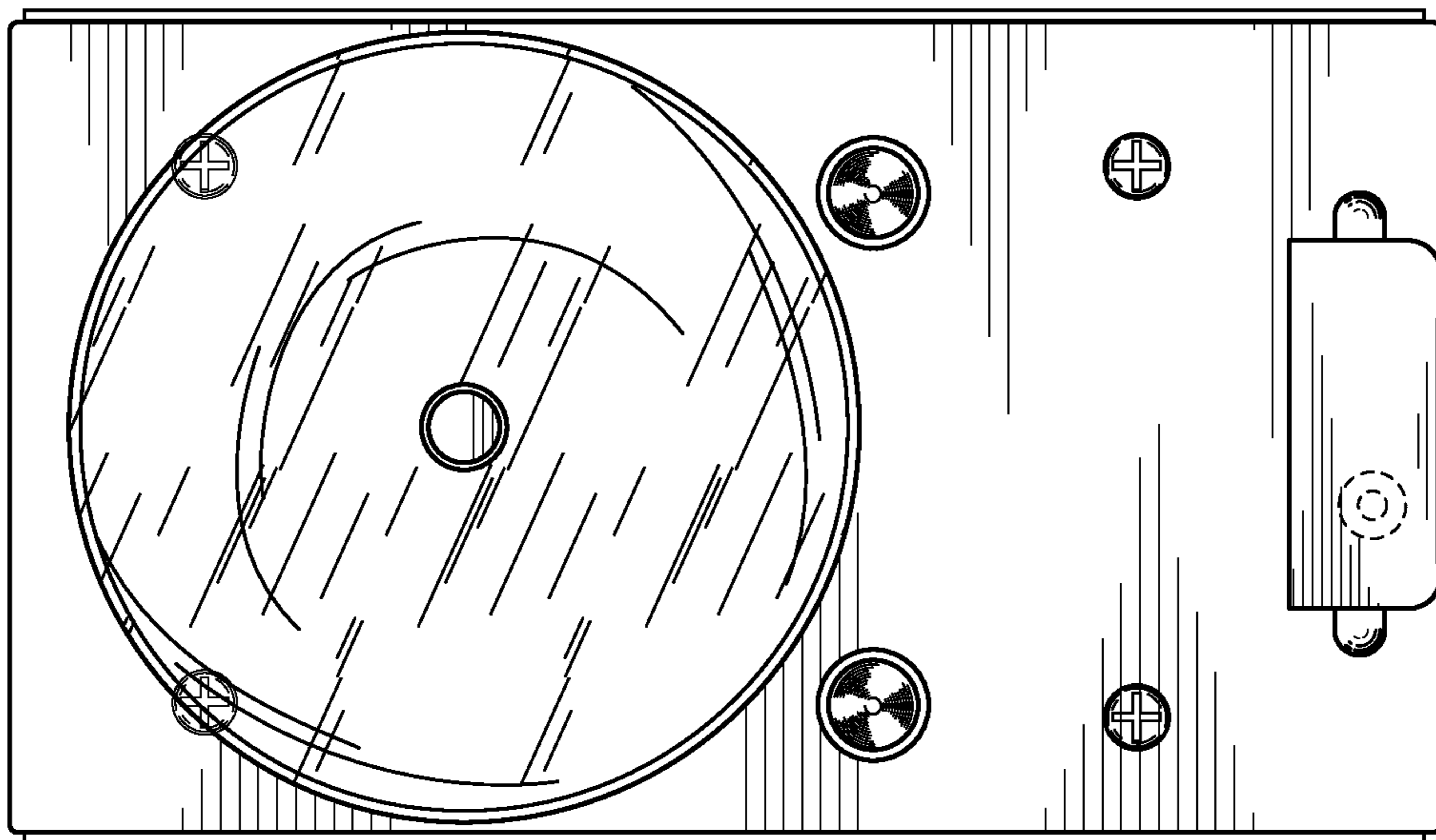


FIG. 6