



US00D708973S

(12) **United States Design Patent**
Fischer

(10) **Patent No.:** **US D708,973 S**

(45) **Date of Patent:** **** Jul. 15, 2014**

(54) **FISH MEASURING DEVICE**

(71) Applicant: **Jason Fischer**, Seguin, TX (US)

(72) Inventor: **Jason Fischer**, Seguin, TX (US)

(**) Term: **14 Years**

(21) Appl. No.: **29/465,617**

(22) Filed: **Aug. 29, 2013**

(51) **LOC (10) Cl.** **10-04**

(52) **U.S. Cl.**
USPC **D10/71**

(58) **Field of Classification Search**

CPC B43L 7/00; G01B 3/004; G01B 3/006;
G01B 3/002; G01B 3/02; G01B 3/04-3/10;
G01B 3/1002; G01B 3/1082; A01K 61/001;
G01G 19/60; G01G 23/18
USPC D10/71, 74; 33/567, 403, 511,
33/483-494, 549, 553, 554; 43/4, 5, 54.11
See application file for complete search history.

(56) **References Cited**

U.S. PATENT DOCUMENTS

4,643,267 A * 2/1987 Southern et al. 177/190
5,339,532 A * 8/1994 O'Keefe 33/511

D408,748 S * 4/1999 Bedol et al. D10/71
D652,331 S * 1/2012 Weise et al. D10/71
2006/0081192 A1* 4/2006 Massey et al. 119/215

* cited by examiner

Primary Examiner — Antoine D Davis

(74) *Attorney, Agent, or Firm* — Robert L. McRae; Gunn,
Lee & Cave, P.C.

(57) **CLAIM**

The ornamental design for a fish measuring device, as shown
and described.

DESCRIPTION

FIG. 1 is a front elevation view of the fish measuring device
showing my new design.

FIG. 2 is a side view of the design of FIG. 1.

FIG. 3 is a top view of the design of FIG. 1.

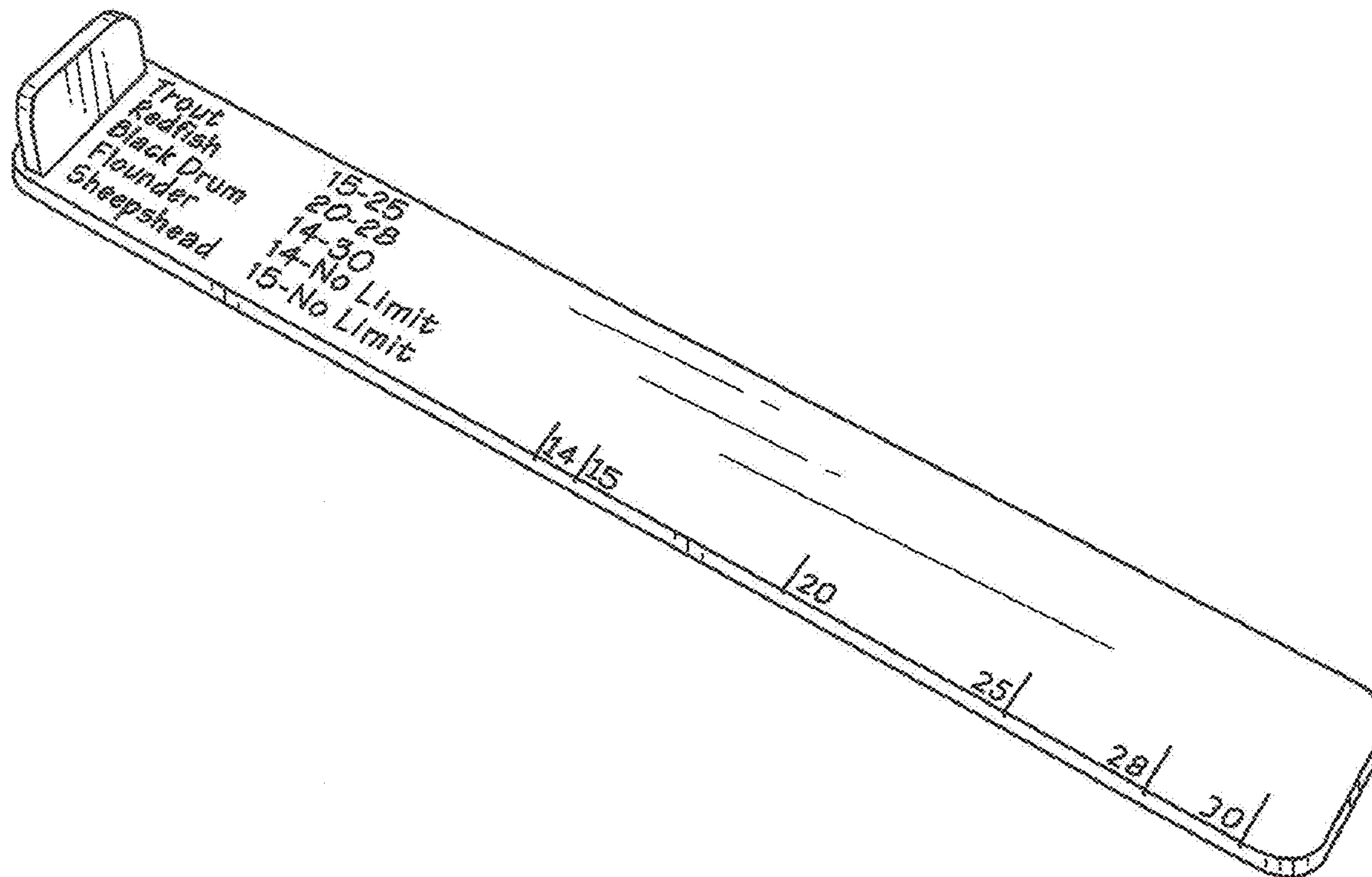
FIG. 4 is an end view of the design of FIG. 1.

FIG. 5 is an end view of the design of FIG. 1 opposite the end
view of FIG. 4.

FIG. 6 is a side view of the design of FIG. 1 opposite the side
view of FIG. 2; and,

FIG. 7 is a bottom view of the design of FIG. 1.

1 Claim, 3 Drawing Sheets



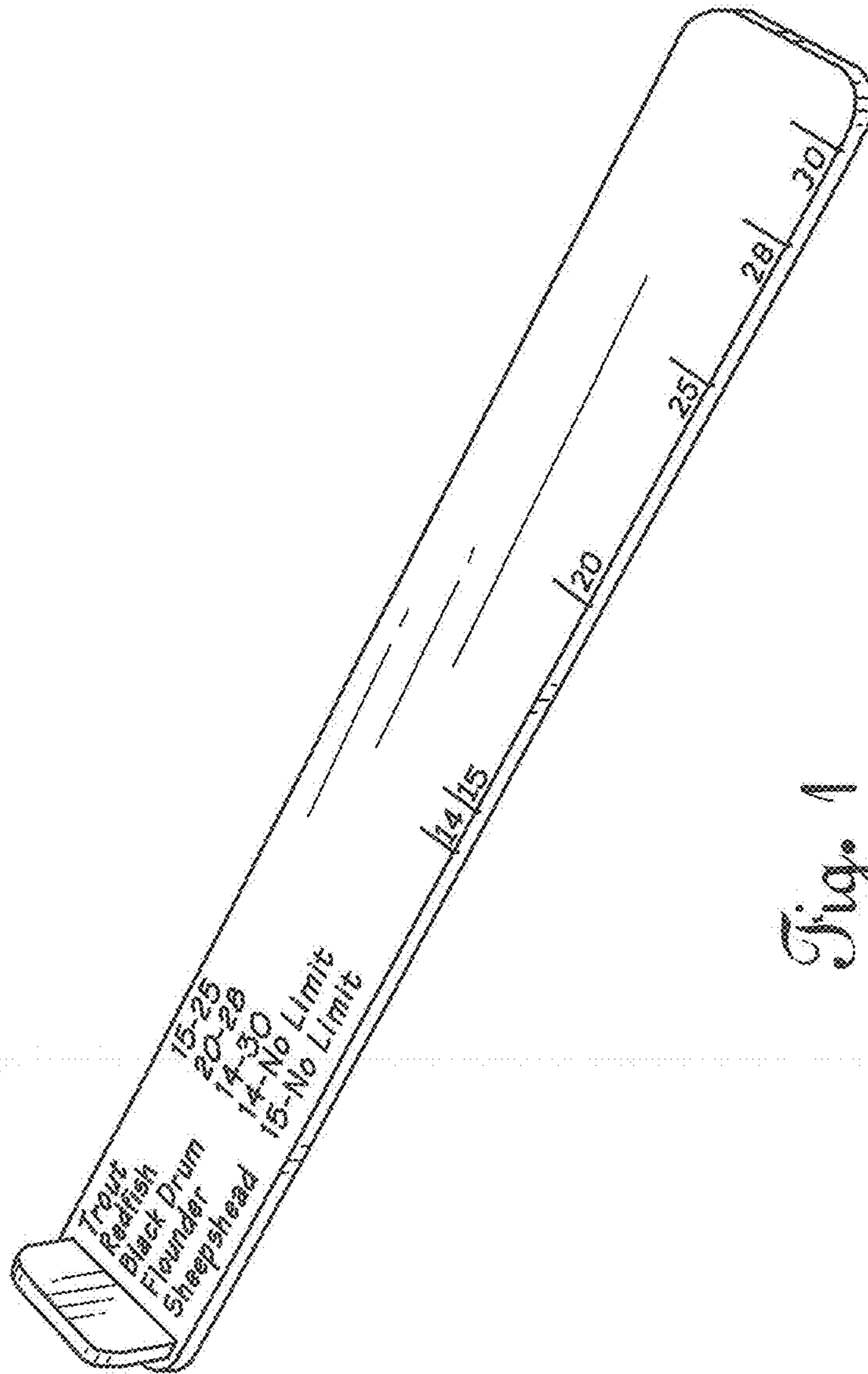


Fig. 1



Fig. 2

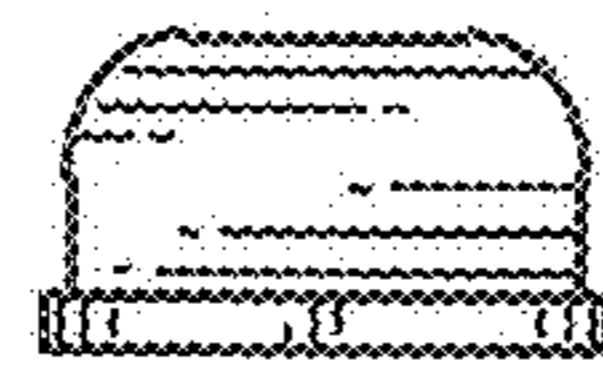


Fig. 4

Trout	15-25	_____	_____	_____	_____		
Redfish	20-28	_____	_____	_____	_____		
Black Drum	14-30	_____	_____	_____	_____		
Flounder	14-No Limit	_____	_____	_____	_____		
Sheepshead	15-No Limit	_____	_____	_____	_____		
		14	15	20	25	28	30

Fig. 3



Fig. 6

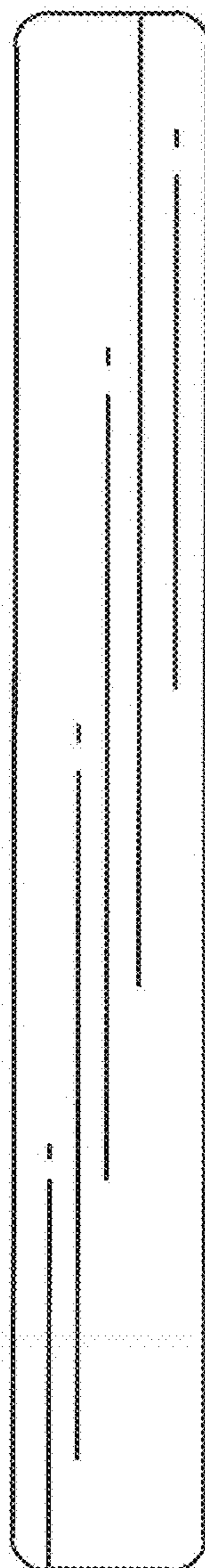


Fig. 7

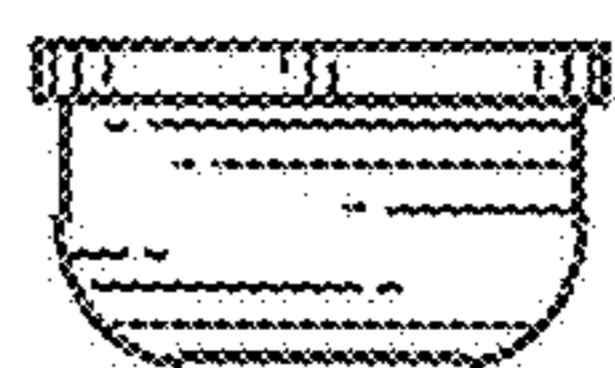


Fig. 5