



US00D708971S

(12) **United States Design Patent**
Jacobs et al.

(10) **Patent No.:** **US D708,971 S**
(45) **Date of Patent:** **** Jul. 15, 2014**

(54) **MOTION SENSOR**

(71) Applicant: **Microsoft Corporation**, Redmond, WA (US)

(72) Inventors: **Joel B. Jacobs**, Seattle, WA (US); **Scott Dallmeyer**, Seattle, WA (US); **Brett D. Christie**, Seattle, WA (US); **Carl J. Ledbetter**, Mercer Island, WA (US); **Audrey C. Louchart**, Seattle, WA (US); **Saro Nalbandian**, Redmond, WA (US); **Gregory G. Jones**, Redmond, WA (US)

(73) Assignee: **Microsoft Corporation**, Redmond, WA (US)

(**) Term: **14 Years**

(21) Appl. No.: **29/447,103**

(22) Filed: **Feb. 28, 2013**

(51) **LOC (10) Cl.** **10-04**

(52) **U.S. Cl.**
USPC **D10/70; D10/106.6**

(58) **Field of Classification Search**
USPC D10/65, 70, 75, 78, 97, 106.1-106.8;
D14/138 R, 138 AA, 138 AB, 138 AC,
D14/138 AD, 341-347, 507-510, 136, 167,
D14/168, 496, 498, 499, 500, 125-134, 239,
D14/371, 374-377, 440, 450, 448, 336,
D14/342; 343/702; 345/87, 104, 133, 156,
345/168, 173, 901-905, 165; 348/180, 184,
348/315, 739, 836, 838, 325; 364/444, 499;
701/408-418, 431, 432, 537; 312/7.2;
341/12; 720/605, 669, 600, 655;
369/99, 197; 455/344, 347, 575.1;
250/221, 338.3, 340, 239, 342, 341,
250/DIG. 1, 353; 307/116, 117; 340/521,
340/527, 541, 567, 540, 568.2, 539.23, 635,
340/687; 315/159; 324/72.5, 556, 133, 149,
324/503, 543, 555, 66, 72, 754, 115, 141,
324/522; 73/615, 624, 627, 644, 514.33,

73/514.34, 510, 513, 527, 530;
356/3.01-5.15; 235/105; 377/5, 24.2,
377/26; 702/155, 160, 176, 78, 79, 82,
702/91-95, 104, 116, 141, 150, 151, 154,
702/127, 131, 182, 183, 189; 600/437, 443,
600/453, 459, 465, 479, 500, 502, 595, 485,
600/481, 483

See application file for complete search history.

(56) **References Cited**

U.S. PATENT DOCUMENTS

D430,500 S * 9/2000 Chen D10/106.1
D449,244 S * 10/2001 Ginzel D10/106.6

(Continued)

OTHER PUBLICATIONS

Design U.S. Appl. No. 29/447,125, filed Feb. 28, 2013.

(Continued)

Primary Examiner — Antoine D Davis

(74) *Attorney, Agent, or Firm* — Banner & Witcoff, Ltd.

(57) **CLAIM**

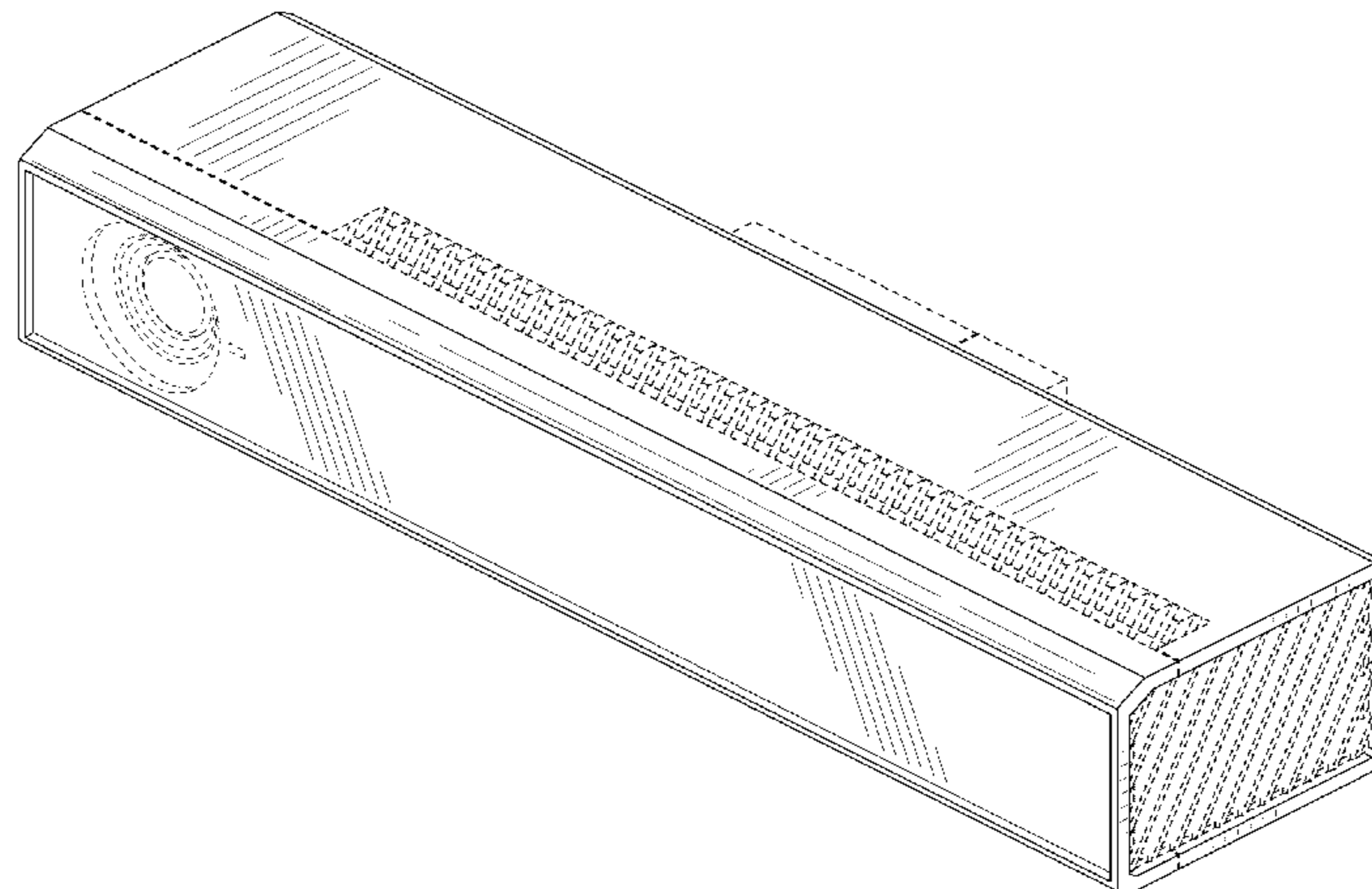
The ornamental design for a motion sensor, as shown and described.

DESCRIPTION

FIG. 1 is a perspective view of a motion sensor showing our new design;
FIG. 2 is a front view thereof;
FIG. 3 is a rear view thereof;
FIG. 4 is a right side view thereof;
FIG. 5 is a left side view thereof;
FIG. 6 is a top view thereof; and,
FIG. 7 is a bottom view thereof.

The broken line showings of various elements of the motion sensor and the unshaded areas therein are for environmental purposes only and form no part of the claimed design.

1 Claim, 6 Drawing Sheets



(56)

References Cited

U.S. PATENT DOCUMENTS

D541,233 S 4/2007 Hayes et al.
D543,954 S 6/2007 Hayes et al.
D543,955 S 6/2007 Hayes et al.
D615,888 S 5/2010 Christopher et al.
D619,484 S 7/2010 Christopher et al.
D619,485 S 7/2010 Christopher et al.
D625,632 S * 10/2010 Takahara et al. D10/70
D640,682 S 6/2011 Ledbetter et al.
D647,918 S 11/2011 Ledbetter et al.

D657,788 S 4/2012 Ledbetter et al.
D665,424 S 8/2012 Ledbetter et al.
D669,801 S * 10/2012 Vroonen D10/70
D693,710 S * 11/2013 Bachel et al. D10/70
2013/0003144 A1* 1/2013 Finnegan et al. 358/483

OTHER PUBLICATIONS

Design U.S. Appl. No. 29/447,126, filed Feb. 28, 2013.
Design U.S. Appl. No. 29/447,120, filed Feb. 28, 2013.
Design U.S. Appl. No. 29/447,121, filed Feb. 28, 2013.

* cited by examiner

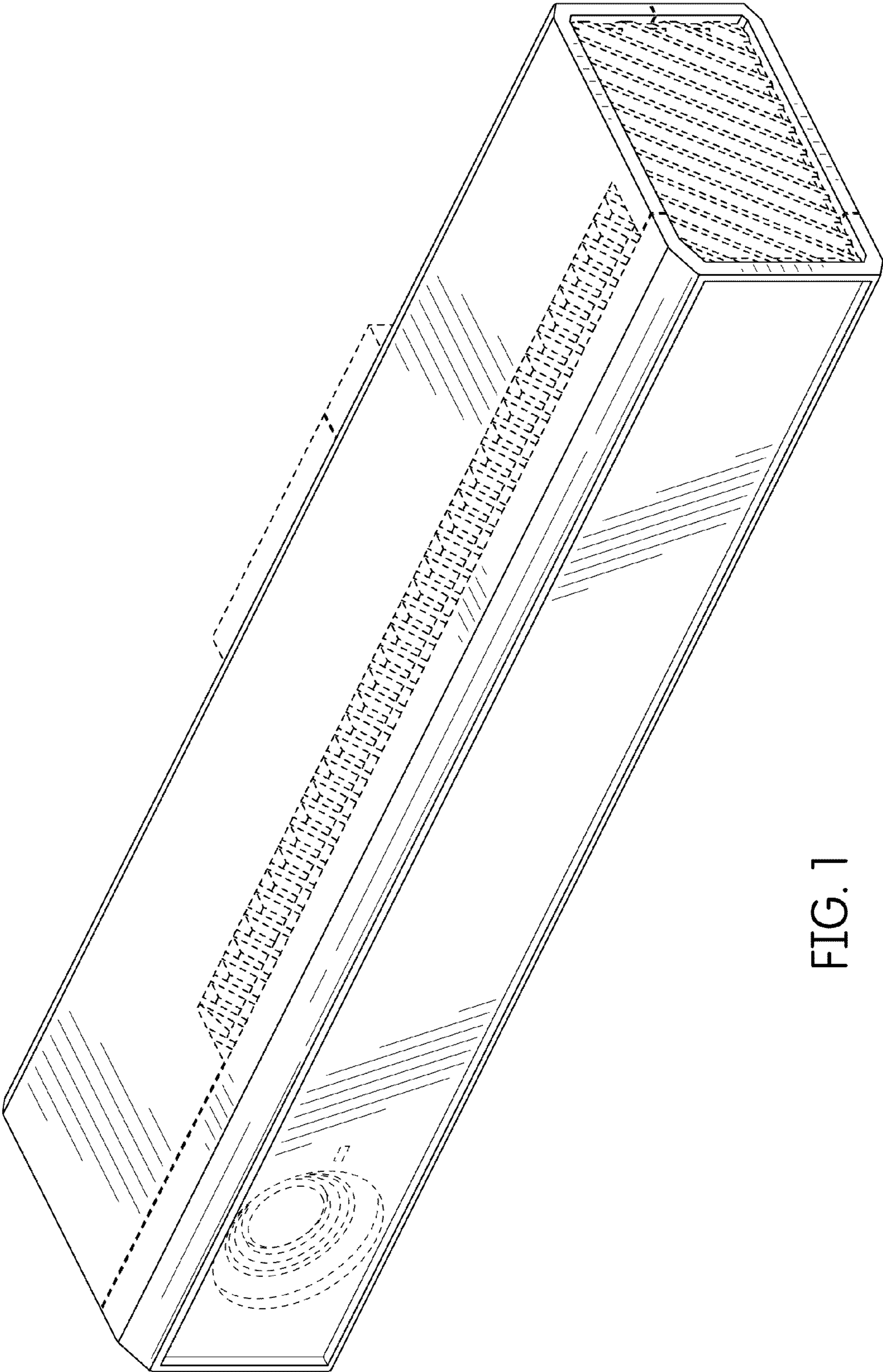


FIG. 1

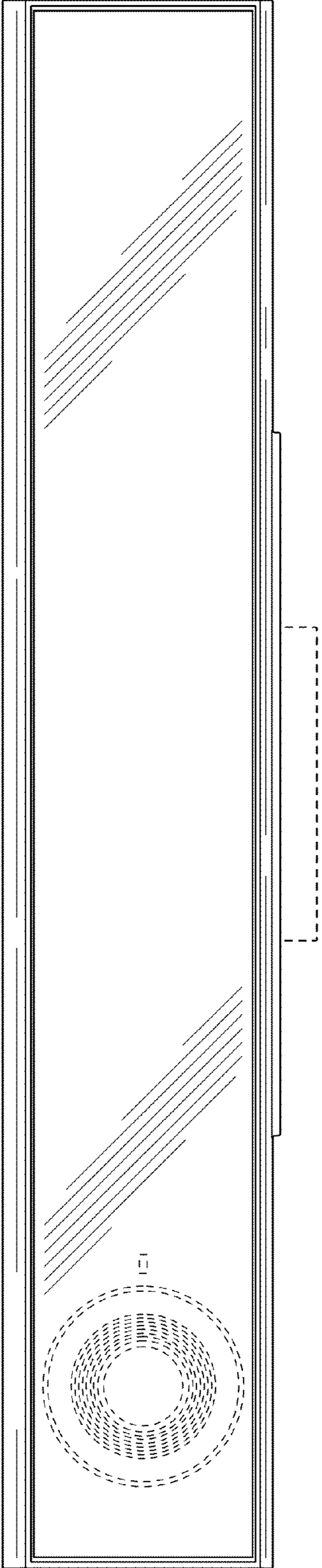


FIG. 2

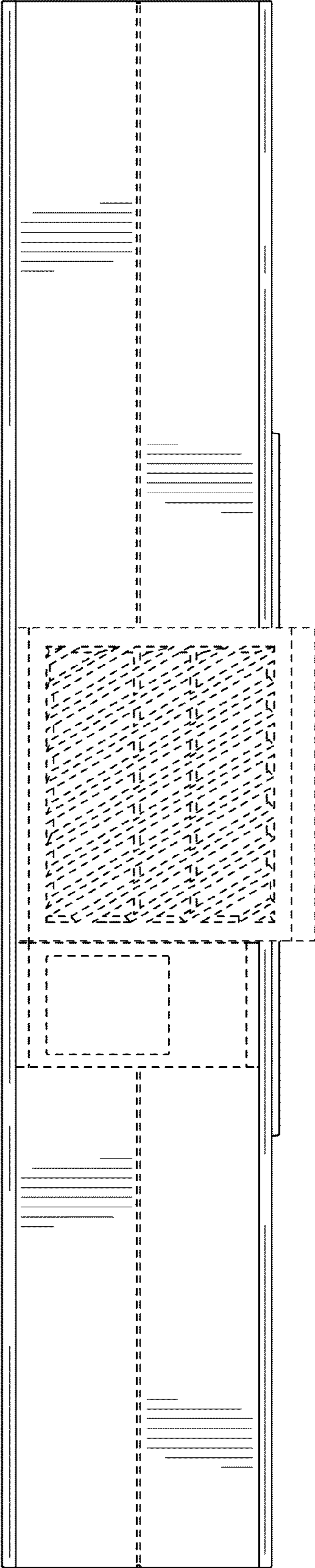


FIG. 3

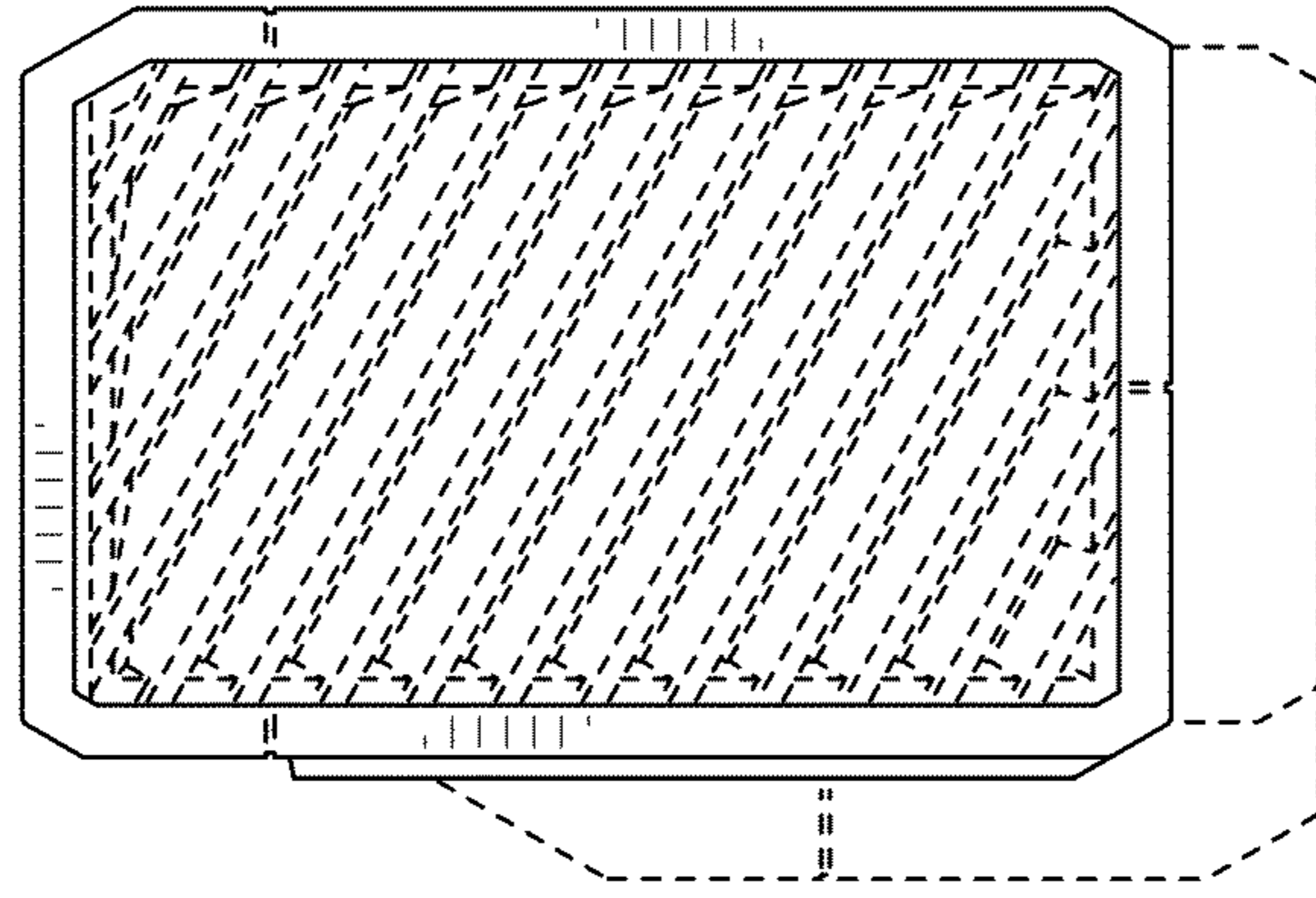


FIG. 4

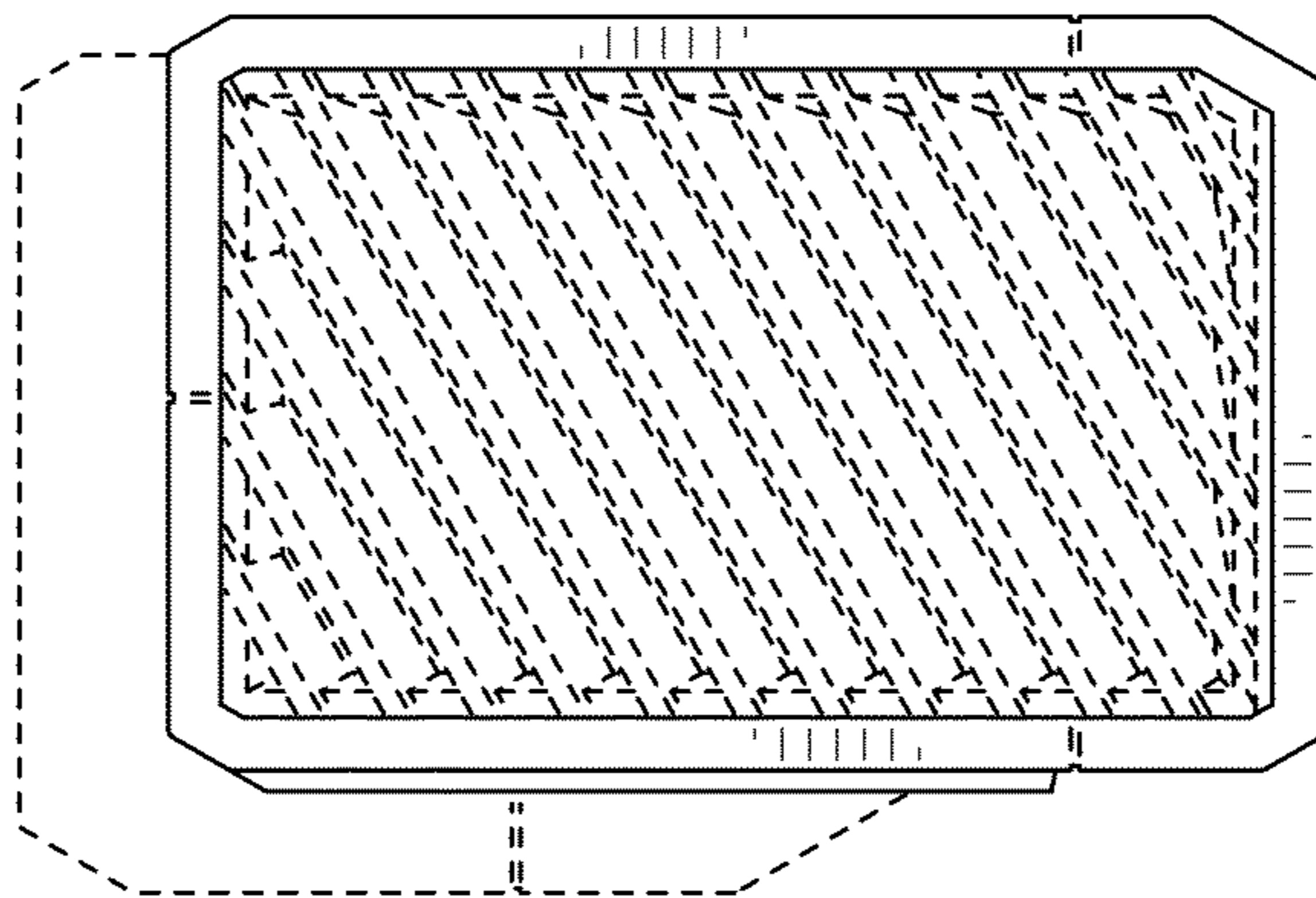


FIG. 5

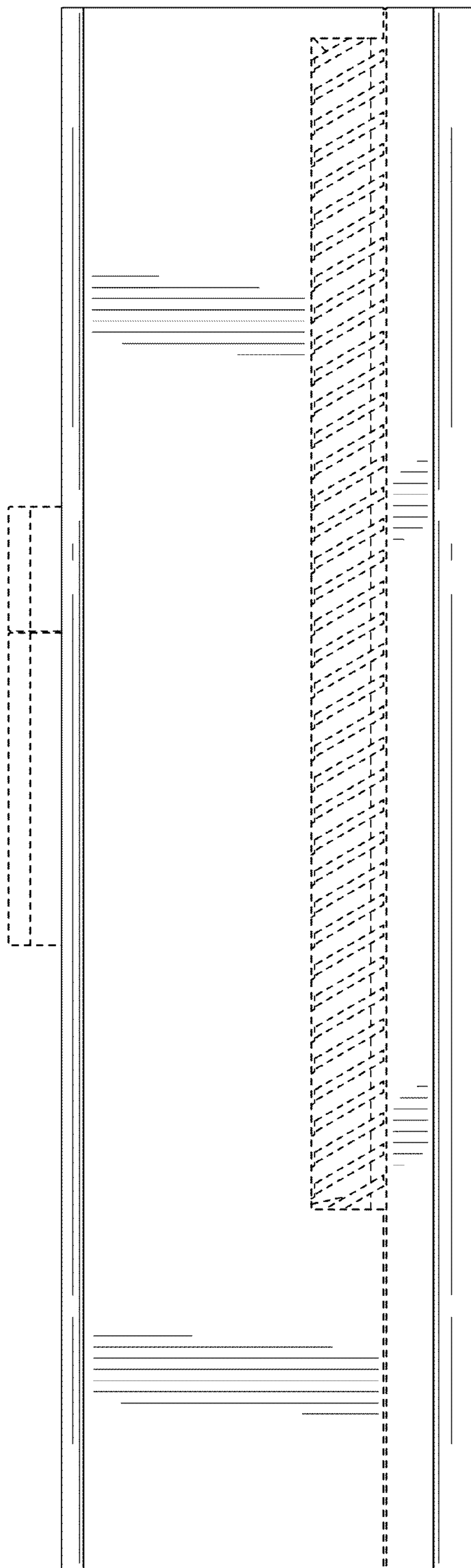


FIG. 6

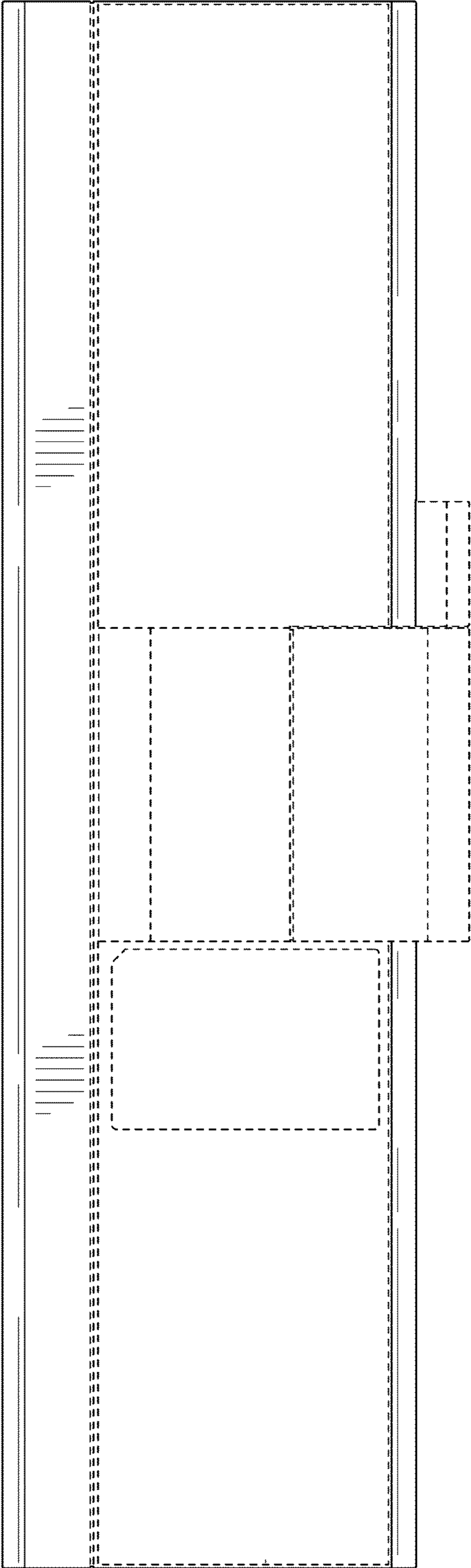


FIG. 7