



US00D708970S

(12) **United States Design Patent**  
**Ishii**

(10) **Patent No.:** **US D708,970 S**  
(45) **Date of Patent:** **\*\* Jul. 15, 2014**

(54) **LASER SURVEYING INSTRUMENT**

(71) Applicant: **Kabushiki Kaisha Topcon**, Tokyo (JP)

(72) Inventor: **Mitsuo Ishii**, Ageo (JP)

(73) Assignee: **Kabushiki Kaisha Topcon**, Tokyo (JP)

(\*\*) Term: **14 Years**

(21) Appl. No.: **29/450,420**

(22) Filed: **Mar. 18, 2013**

(30) **Foreign Application Priority Data**

Feb. 1, 2013 (JP) ..... 2013-002033

(51) **LOC (10) Cl.** ..... **10-04**

(52) **U.S. Cl.**  
USPC ..... **D10/66; D10/69; D10/70**

(58) **Field of Classification Search**

CPC ..... G01C 15/002; G01C 15/00; G01C 1/04;  
G01C 3/08; G01S 17/10; G01S 17/42; G01S  
7/4818; G01S 33/21; G01B 11/26  
USPC ..... D10/66, 69, 70; 33/276, 277, 281, 285,  
33/286, 290, 291-299, DIG. 21; 340/539,  
340/825.36, 825.46, 825.49; 356/5.15,  
356/4.01, 5.01, 4.05, 5.05-5.09, 5.12, 28.5,  
356/345, 375, 3.01, 128-155, 399-400;  
385/83, 97-99, 134-139;  
264/1.24-1.25

See application file for complete search history.

(56) **References Cited**

U.S. PATENT DOCUMENTS

D411,809	S	*	7/1999	Wakabayashi	.....	D10/66
6,314,650	B1	*	11/2001	Falb	.....	33/286
D469,738	S	*	2/2003	Ishii	.....	D10/66
D561,621	S	*	2/2008	Ishii et al.	.....	D10/66
D564,922	S	*	3/2008	Ishii	.....	D10/66
D587,147	S	*	2/2009	Iwasaki	.....	D10/64
D609,124	S	*	2/2010	Ishii et al.	.....	D10/69
D612,753	S	*	3/2010	Ishii et al.	.....	D10/66
D635,038	S	*	3/2011	Ishii	.....	D10/66
D670,180	S	*	11/2012	Ishii	.....	D10/66
D688,578	S	*	8/2013	Asher et al.	.....	D10/66
D690,214	S	*	9/2013	Asher et al.	.....	D10/66
D692,327	S	*	10/2013	Asher et al.	.....	D10/66

\* cited by examiner

*Primary Examiner* — Antoine D Davis  
(74) *Attorney, Agent, or Firm* — Oliff PLC

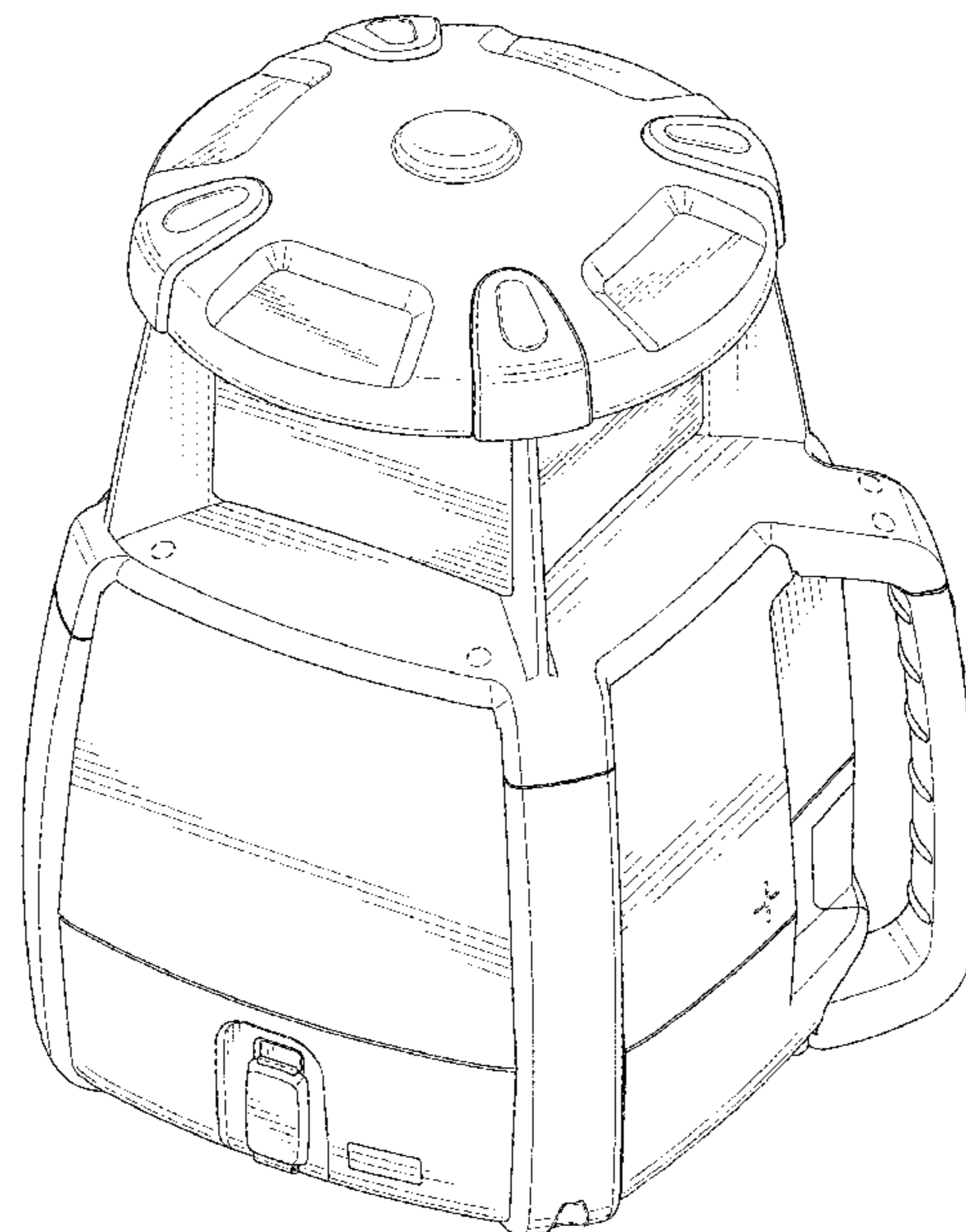
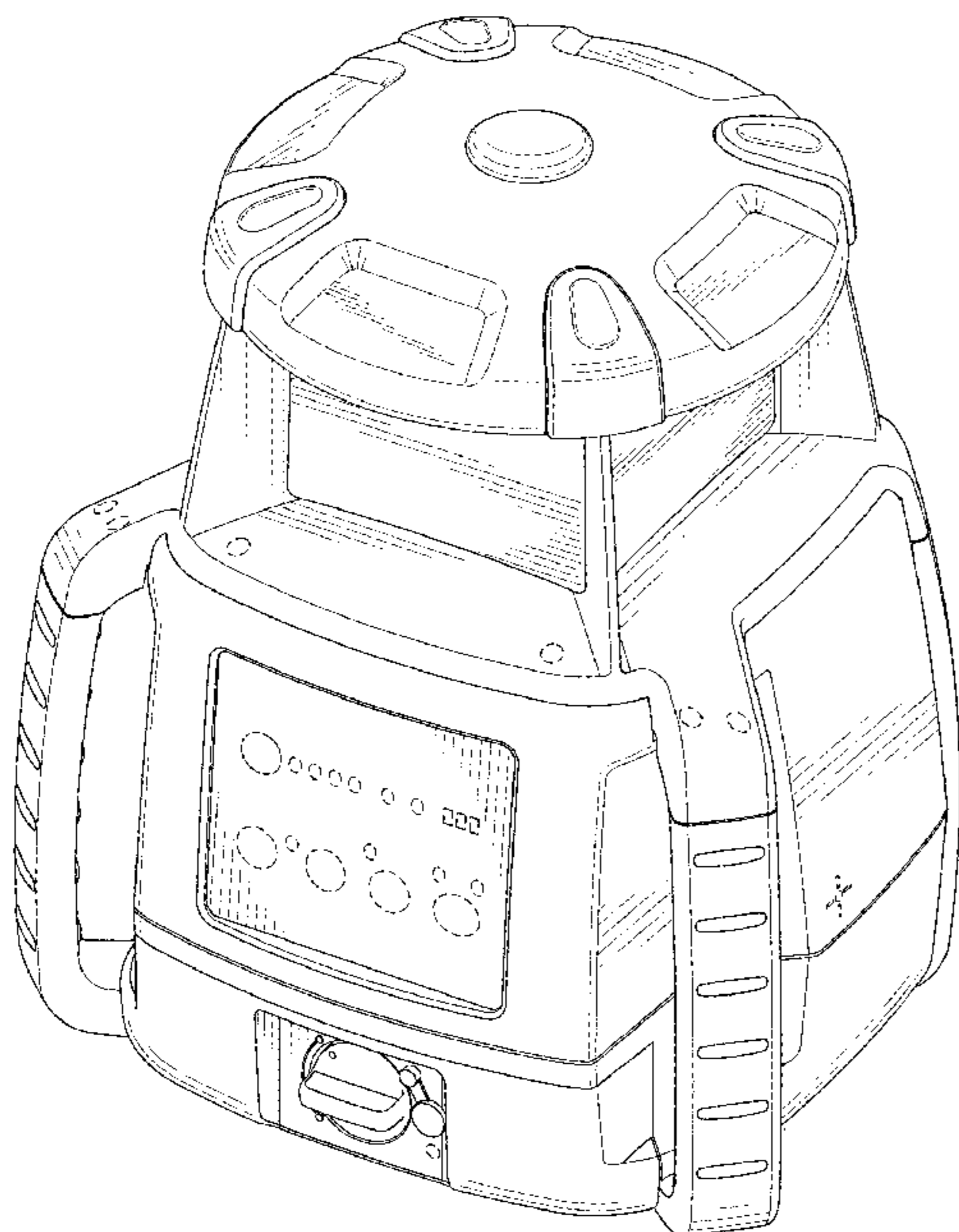
(57) **CLAIM**

The ornamental design for a laser surveying instrument, as shown and described.

**DESCRIPTION**

FIG. 1 is a top, front, right-side perspective view of a laser surveying instrument;  
FIG. 2 is a top, rear, left-side perspective view thereof;  
FIG. 3 is a front view thereof;  
FIG. 4 is a top view thereof;  
FIG. 5 is a right-side view thereof;  
FIG. 6 is a left-side view thereof;  
FIG. 7 is a rear view thereof; and,  
FIG. 8 is a bottom view thereof.  
The broken lines depict unclaimed portions only and form no part of the claimed design.

**1 Claim, 7 Drawing Sheets**



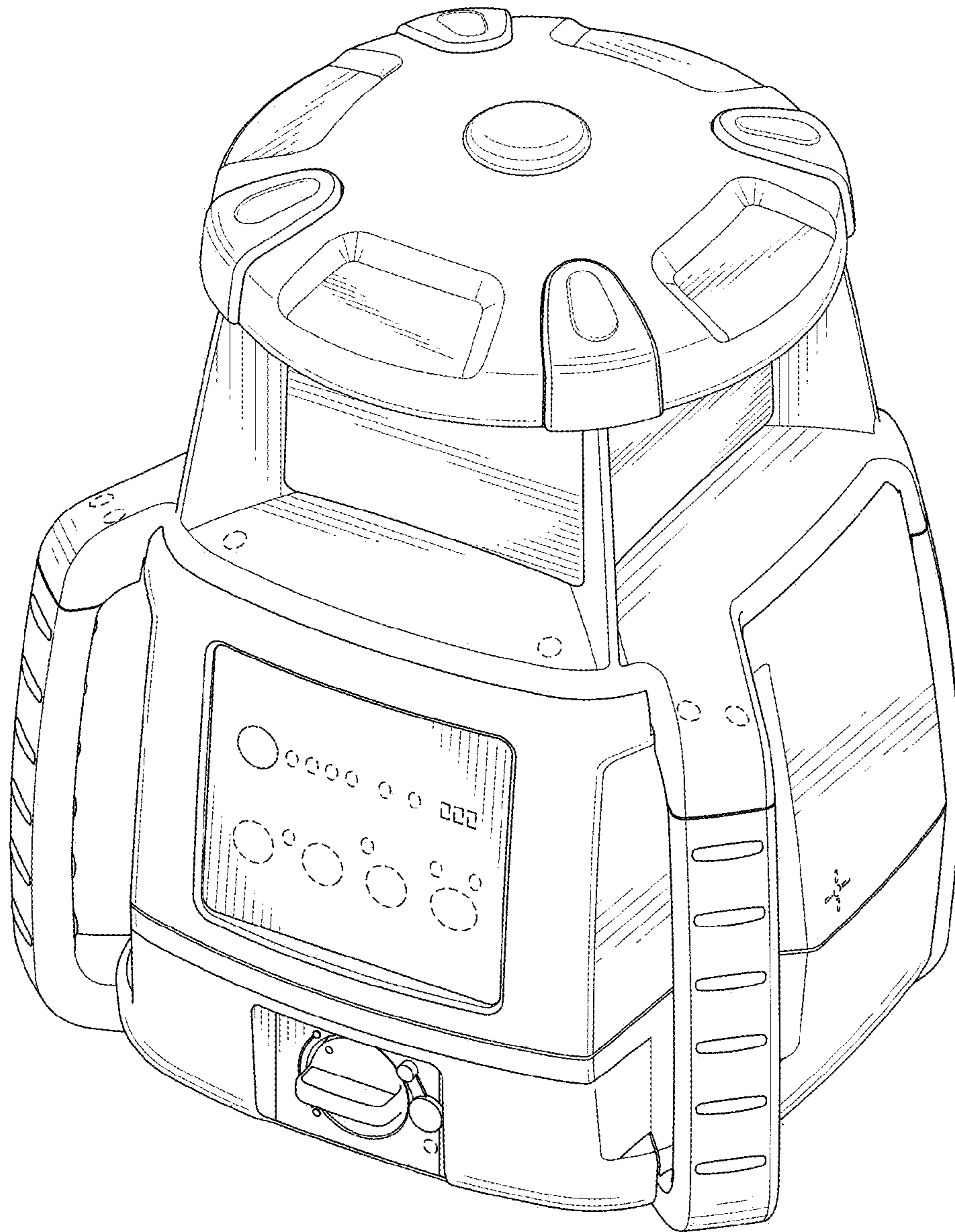


FIG. 1

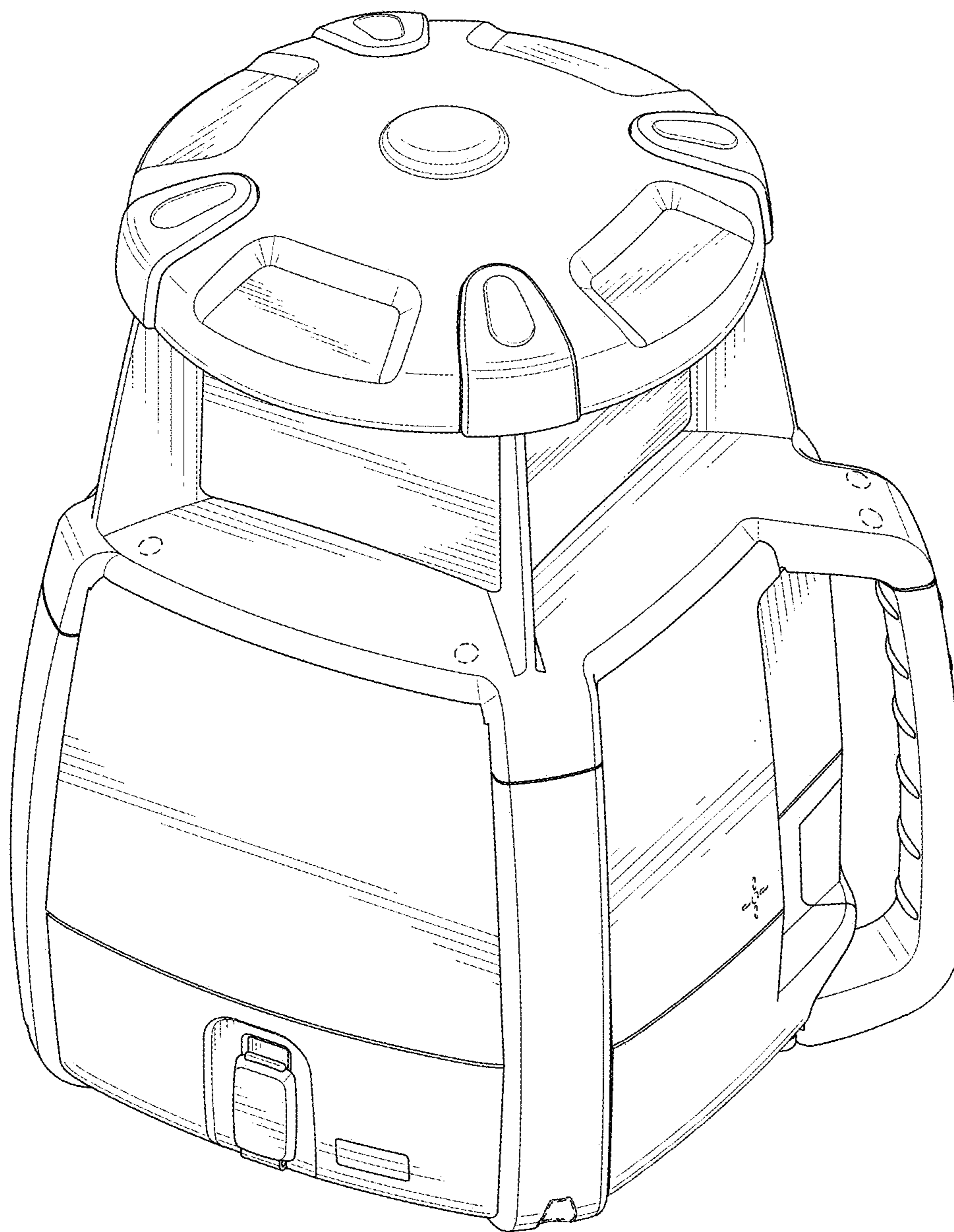


FIG. 2



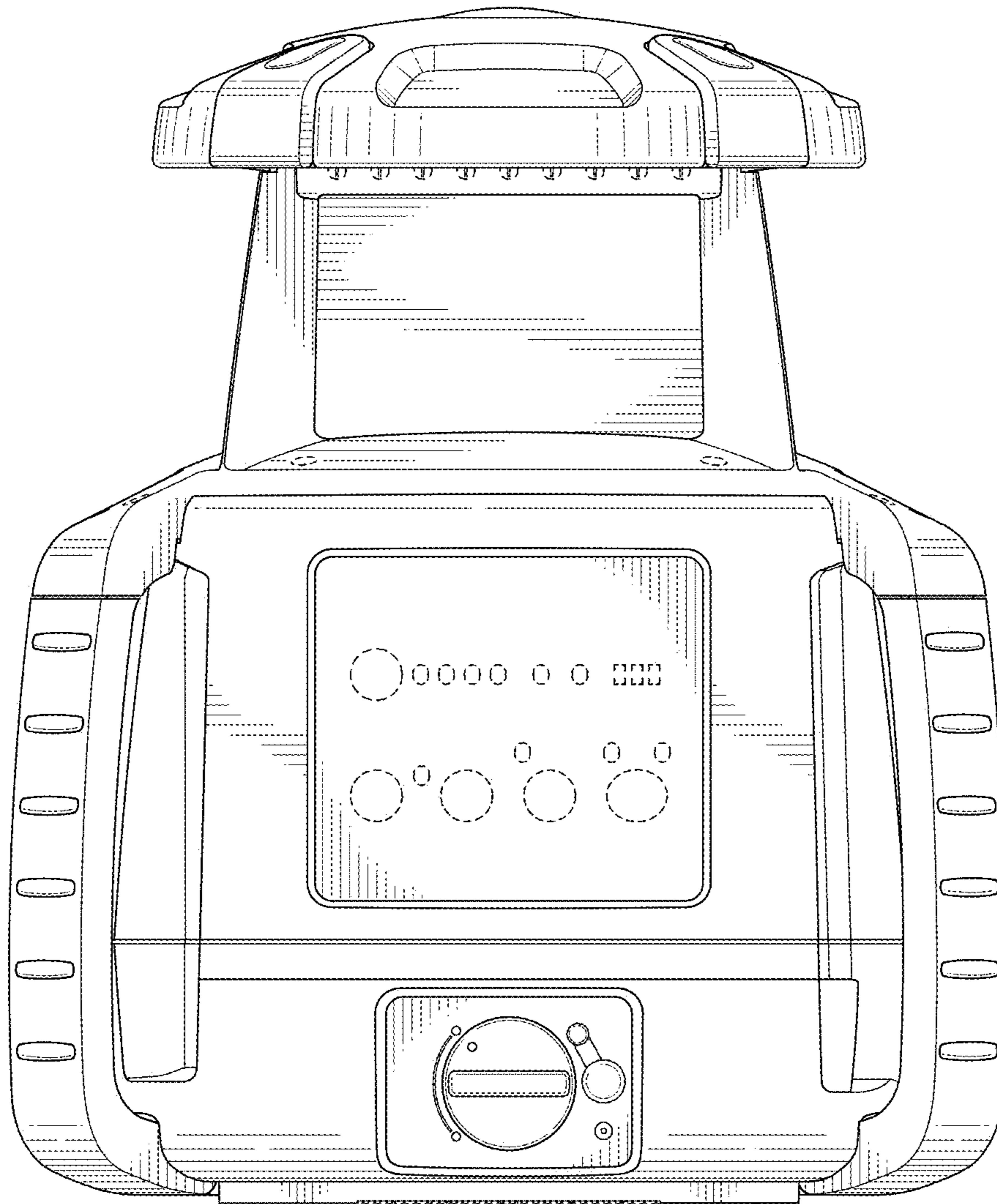


FIG. 3

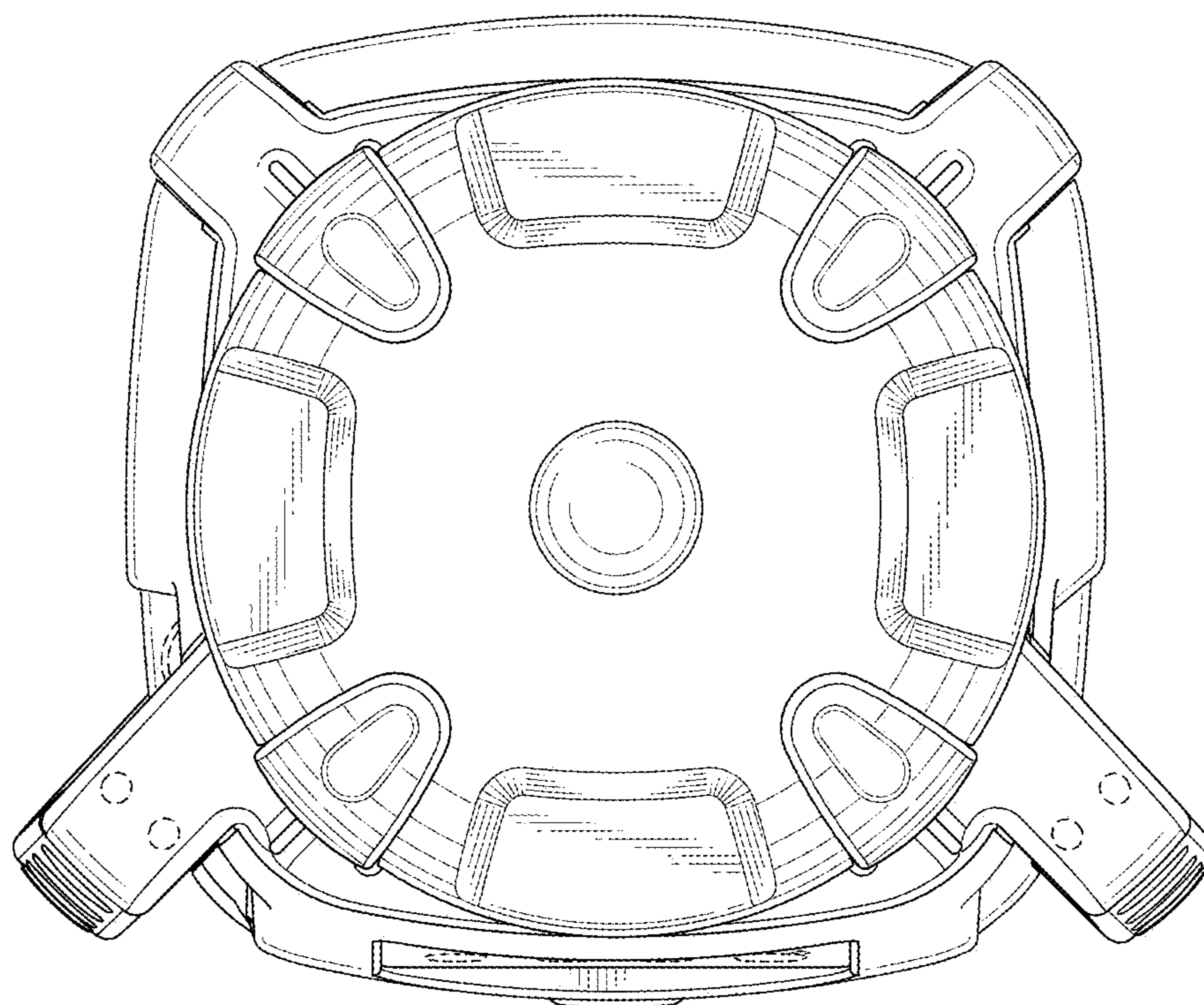


FIG. 4

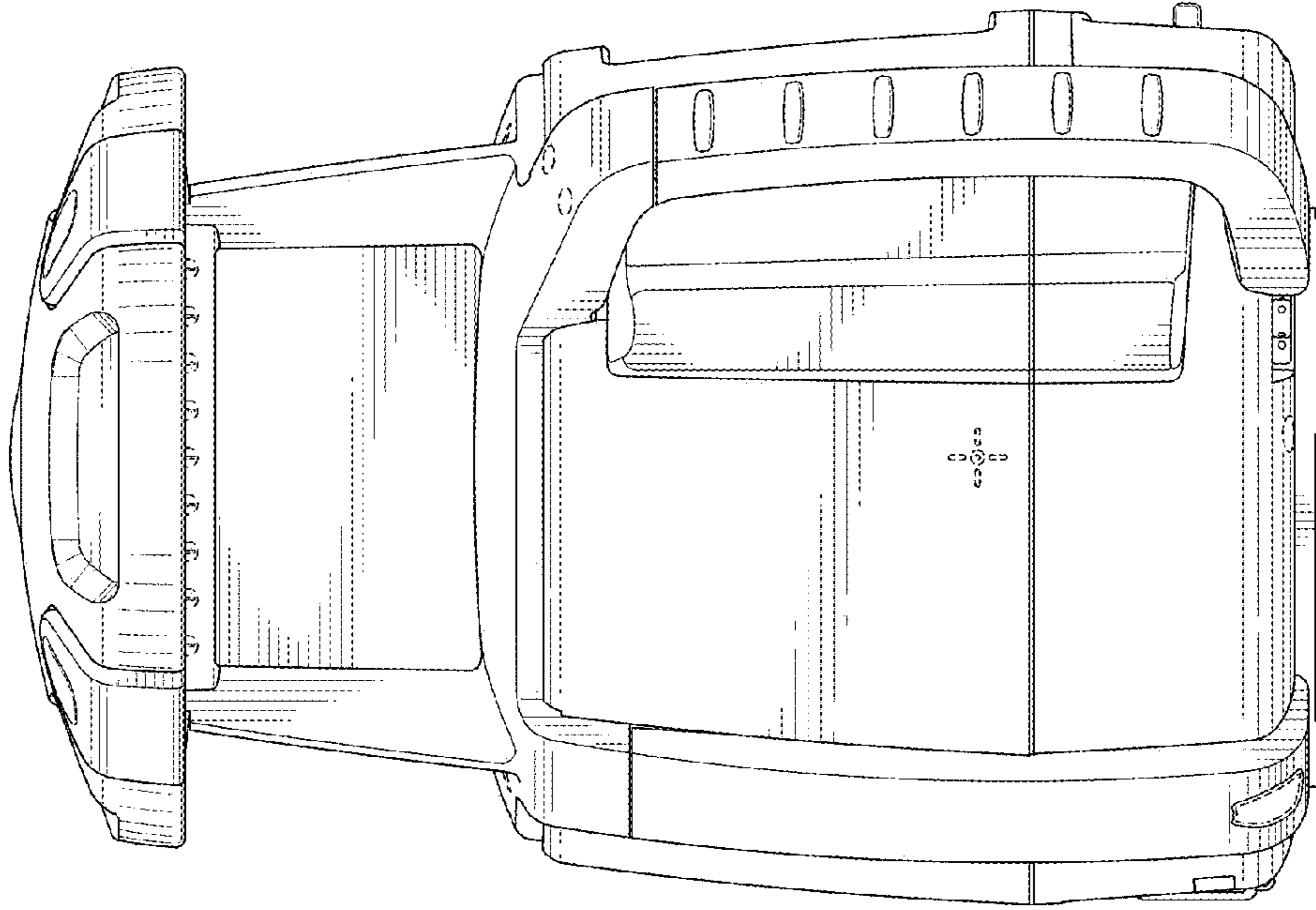


FIG. 5

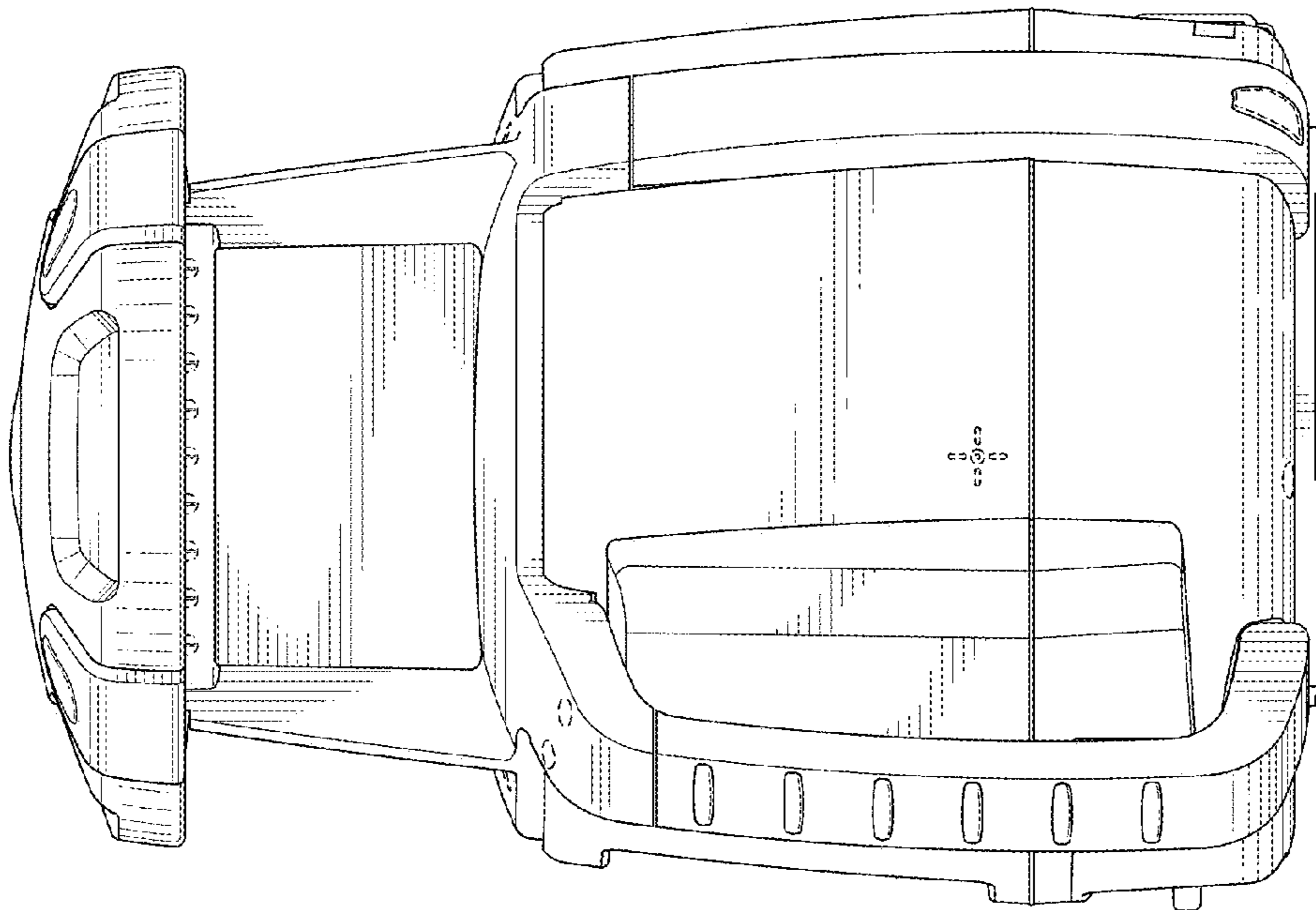


FIG. 6

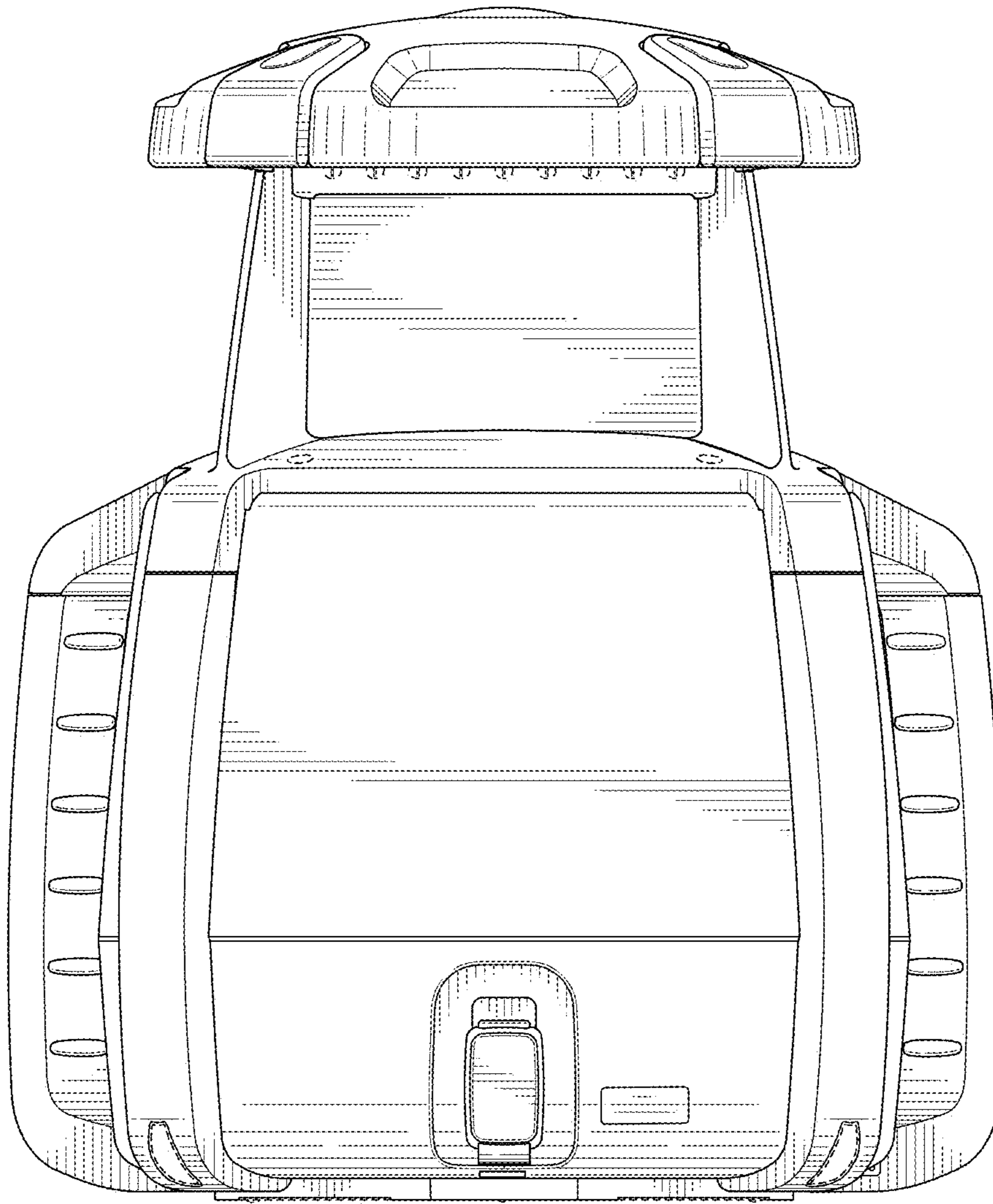


FIG. 7



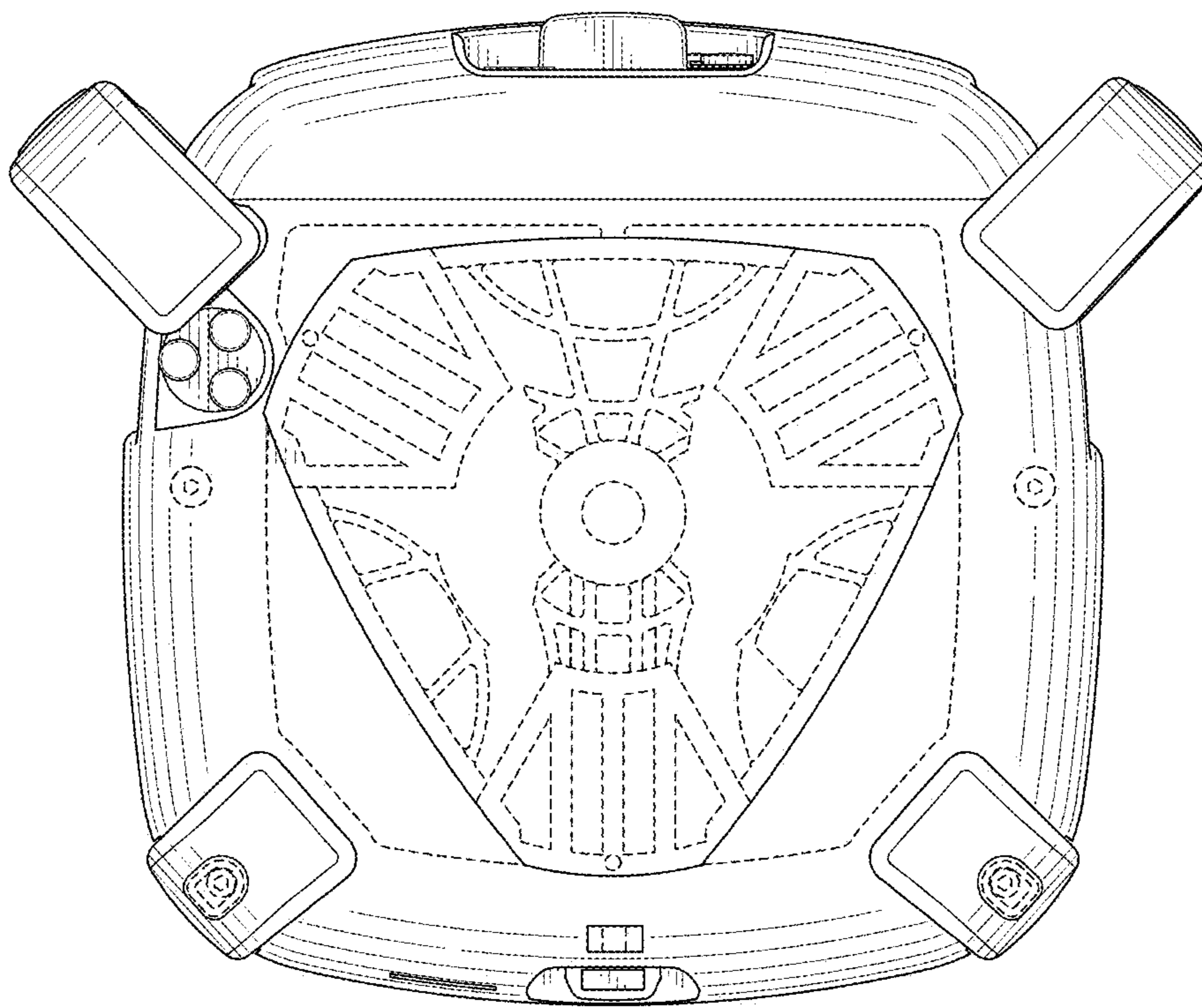


FIG. 8