



US00D708969S

(12) **United States Design Patent**
Ishii

(10) **Patent No.:** **US D708,969 S**
(45) **Date of Patent:** **** Jul. 15, 2014**

(54) **SURVEYING INSTRUMENT**

(71) Applicant: **Kabushiki Kaisha Topcon**, Tokyo (JP)

(72) Inventor: **Mitsuo Ishii**, Ageo (JP)

(73) Assignee: **Kabushiki Kaisha Topcon**, Tokyo (JP)

(**) Term: **14 Years**

(21) Appl. No.: **29/450,456**

(22) Filed: **Mar. 18, 2013**

(30) **Foreign Application Priority Data**

Feb. 1, 2013 (JP) 2013-002034

(51) **LOC (10) Cl.** **10-04**

(52) **U.S. Cl.**
USPC **D10/65; D10/69; D10/70**

(58) **Field of Classification Search**
CPC G01C 15/002; G01C 15/00; G01C 1/04;
G01C 3/08; G01S 17/42; G01S 17/10; G01S
33/21; G01S 7/4818; G01B 11/26
USPC D10/66, 69, 70; 33/276, 277, 281, 285,
33/286, 290, 291-299, DIG. 21; 340/539,
340/825.36, 825.46, 825.49; 356/5.15,
356/4.01, 5.01, 4.05, 5.05-5.09, 5.12, 28.5,
356/345, 375, 3.01, 128-155, 399-400;
385/83, 97-99, 134-139;
264/1.24-1.25

See application file for complete search history.

(56) **References Cited**

U.S. PATENT DOCUMENTS

D563,247 S * 3/2008 Ishii D10/66
D581,819 S * 12/2008 Banba et al. D10/66
D632,985 S * 2/2011 Scheyer D10/66

* cited by examiner

Primary Examiner — Antoine D Davis

(74) *Attorney, Agent, or Firm* — Oliff PLC

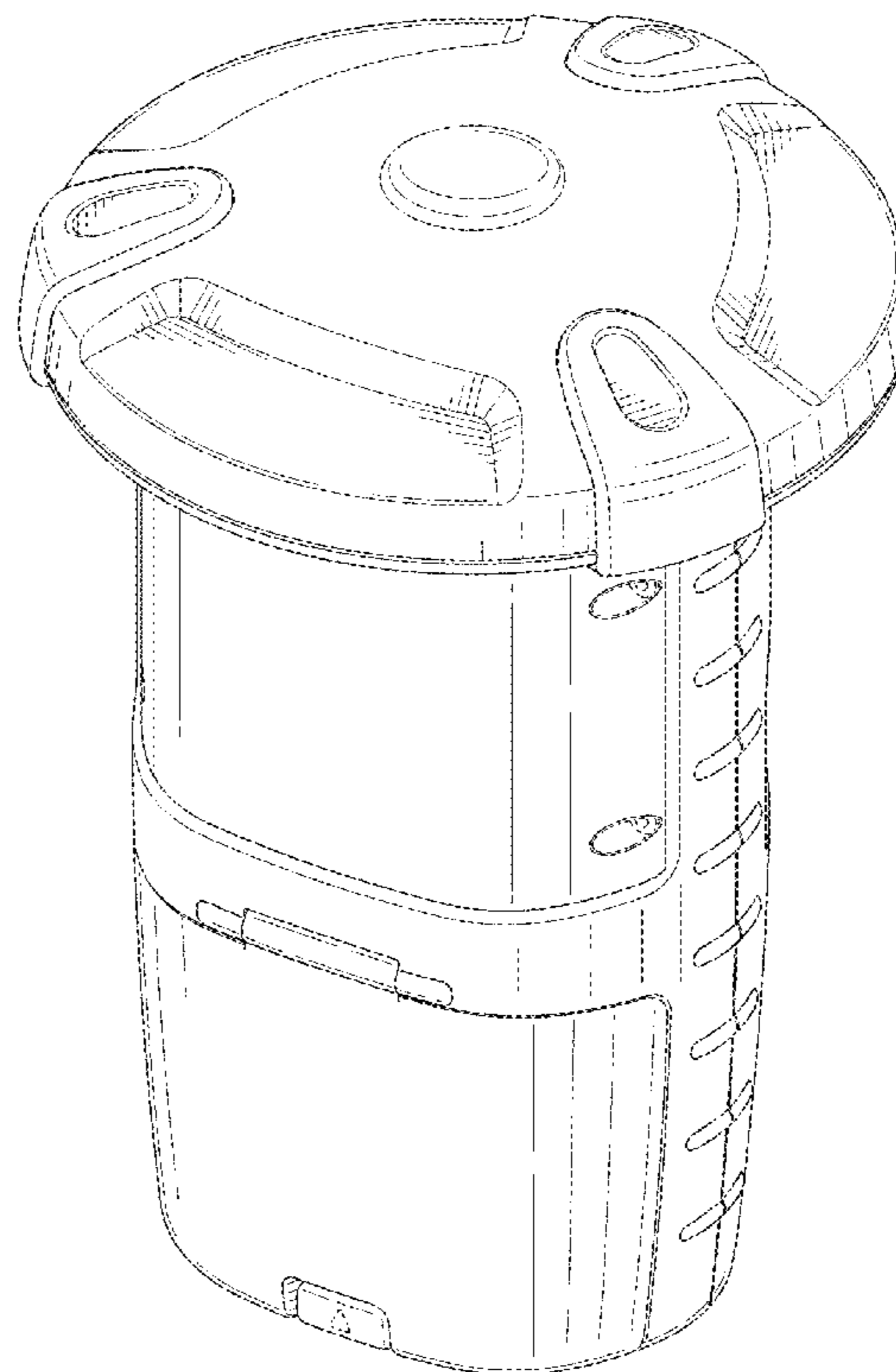
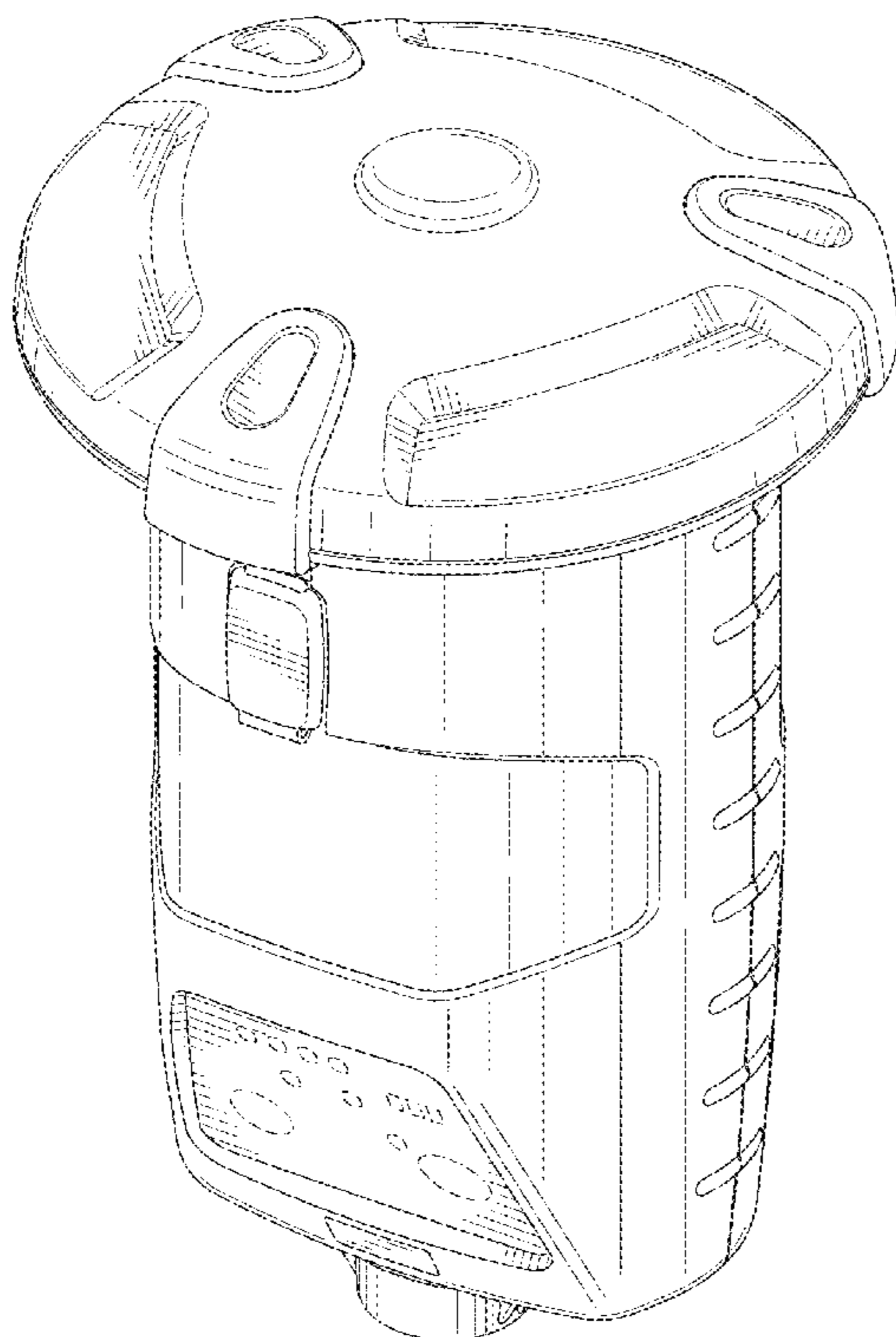
(57) **CLAIM**

The ornamental design for a surveying instrument, as shown and described.

DESCRIPTION

FIG. 1 is a top, front, right-side perspective view of a surveying instrument;
FIG. 2 is a top, rear, left-side perspective view thereof;
FIG. 3 is a front view thereof;
FIG. 4 is a top view thereof;
FIG. 5 is a right-side view thereof, the left-side view being a mirror image of the right-side view;
FIG. 6 is a rear view thereof; and,
FIG. 7 is a bottom view thereof.
The broken lines depict unclaimed portions only and form no part of the claimed design.

1 Claim, 6 Drawing Sheets



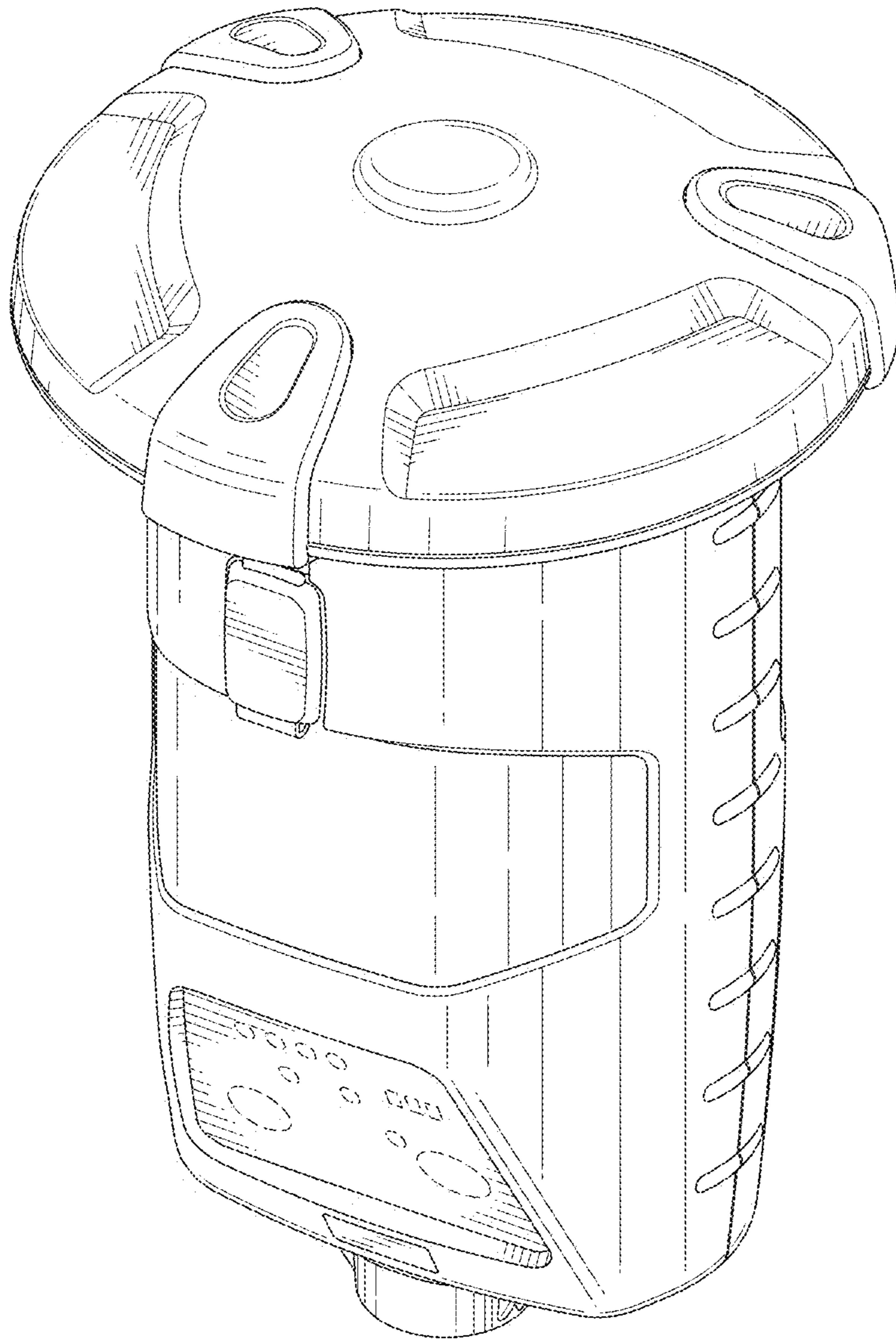


FIG. 1

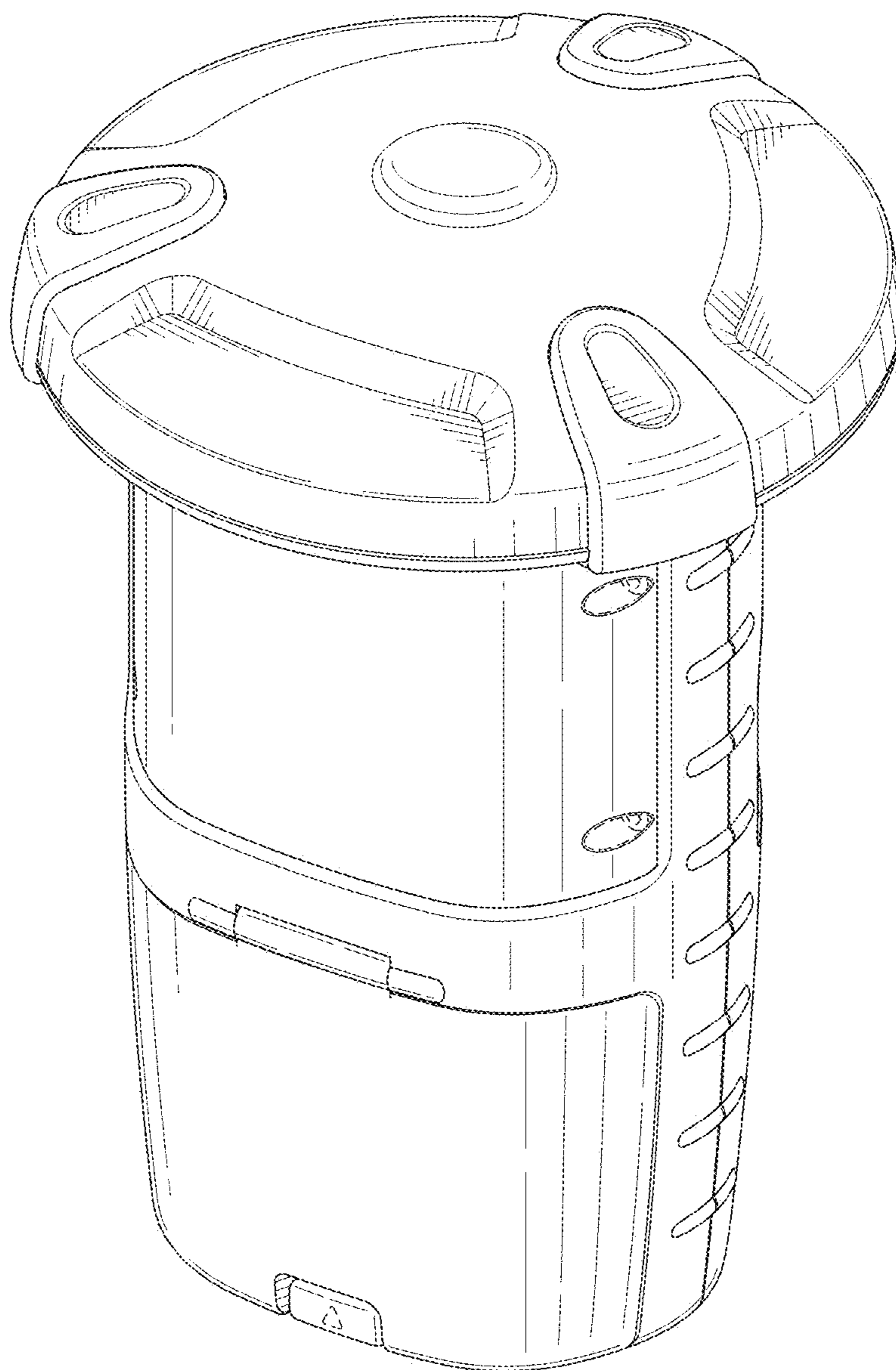


FIG. 2

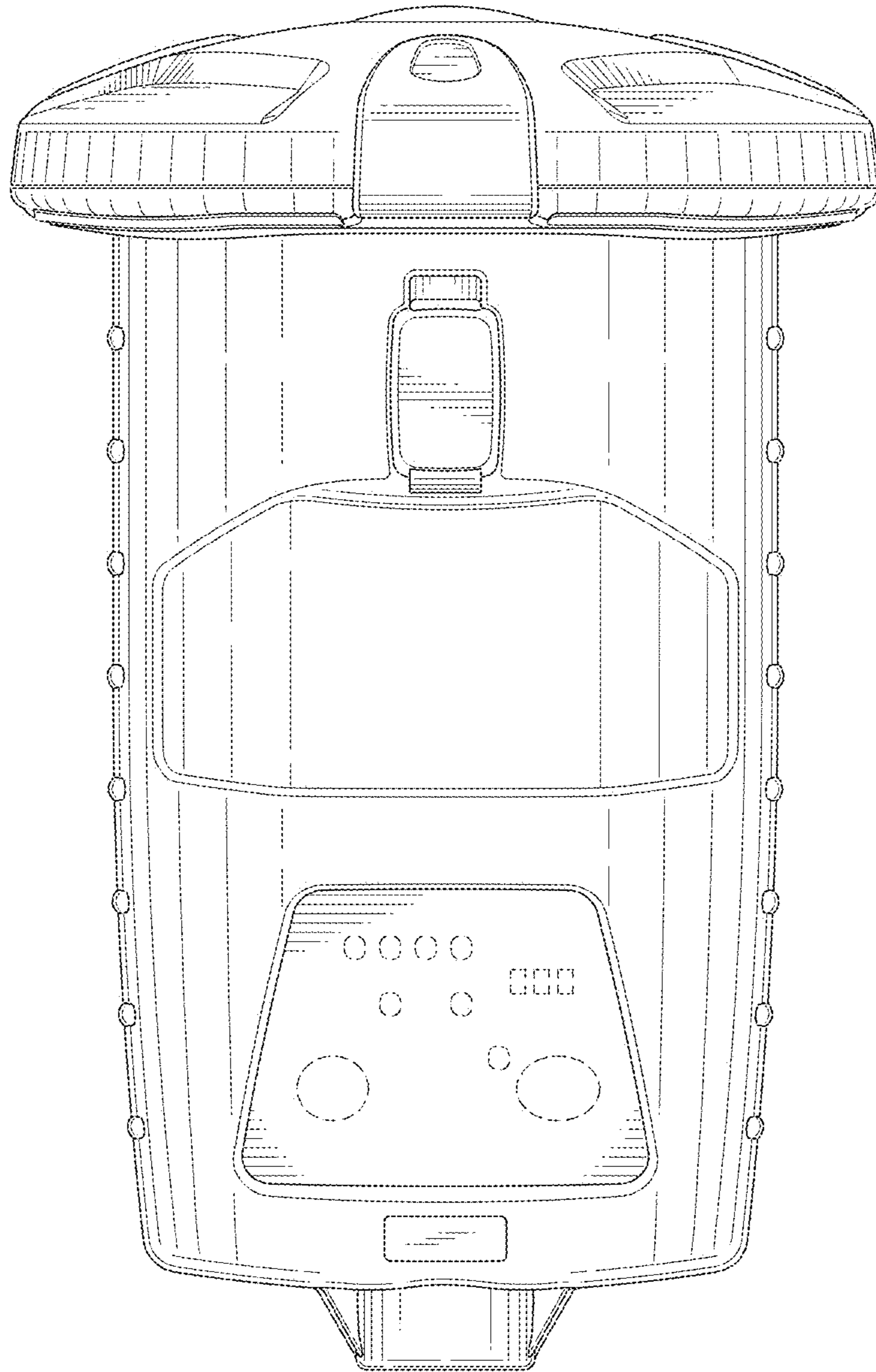


FIG. 3

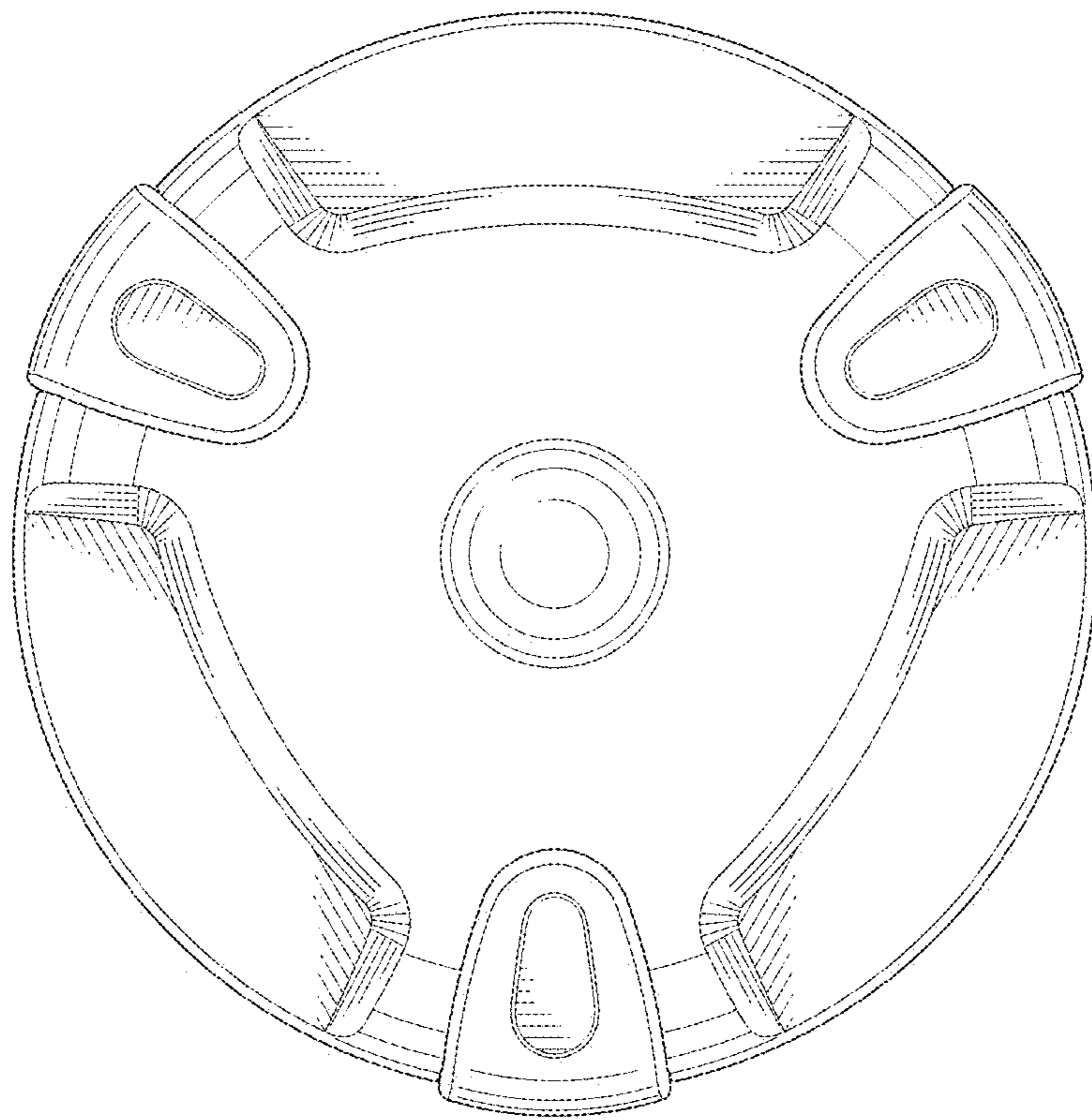


FIG. 4

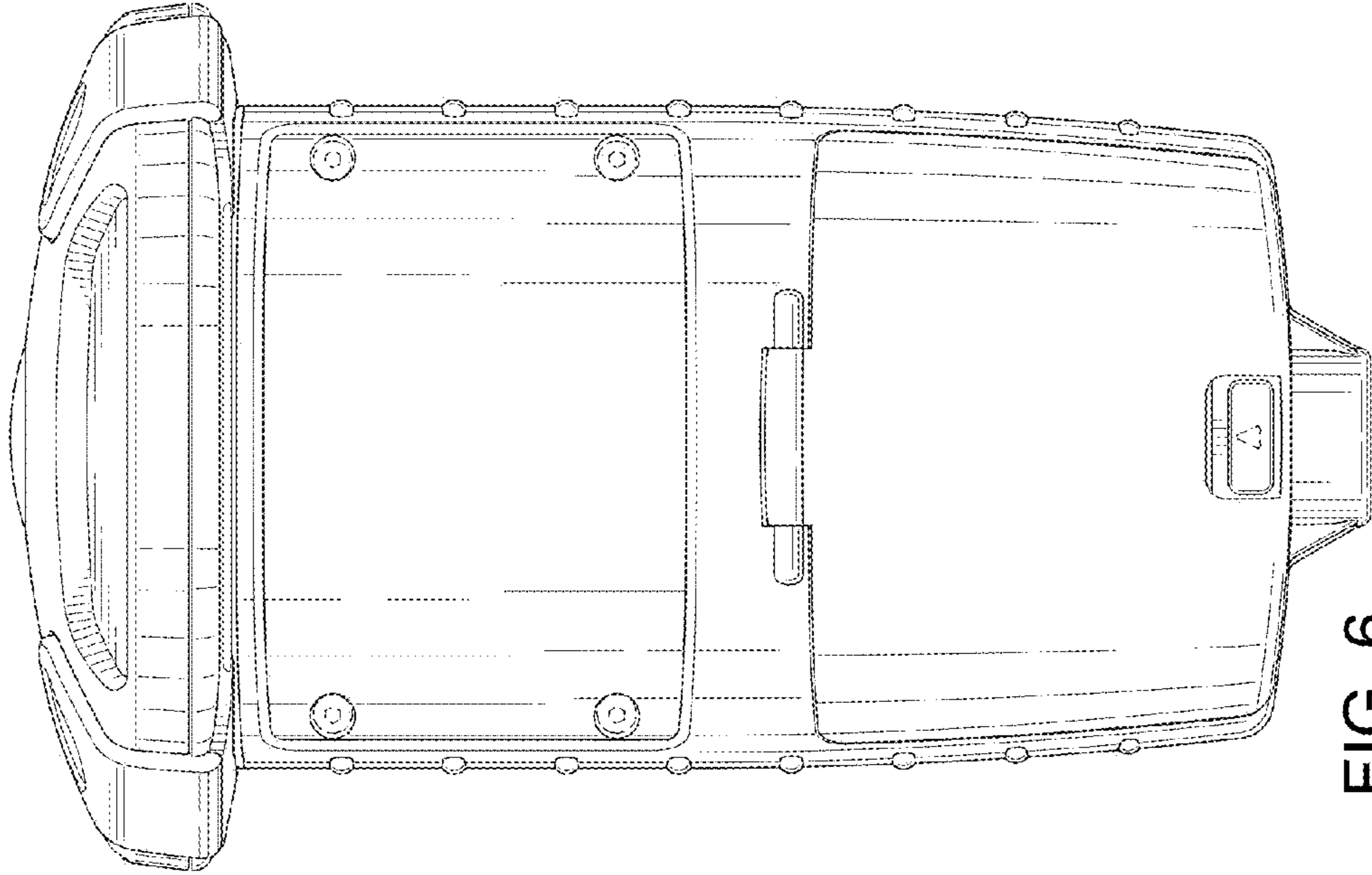


FIG. 6

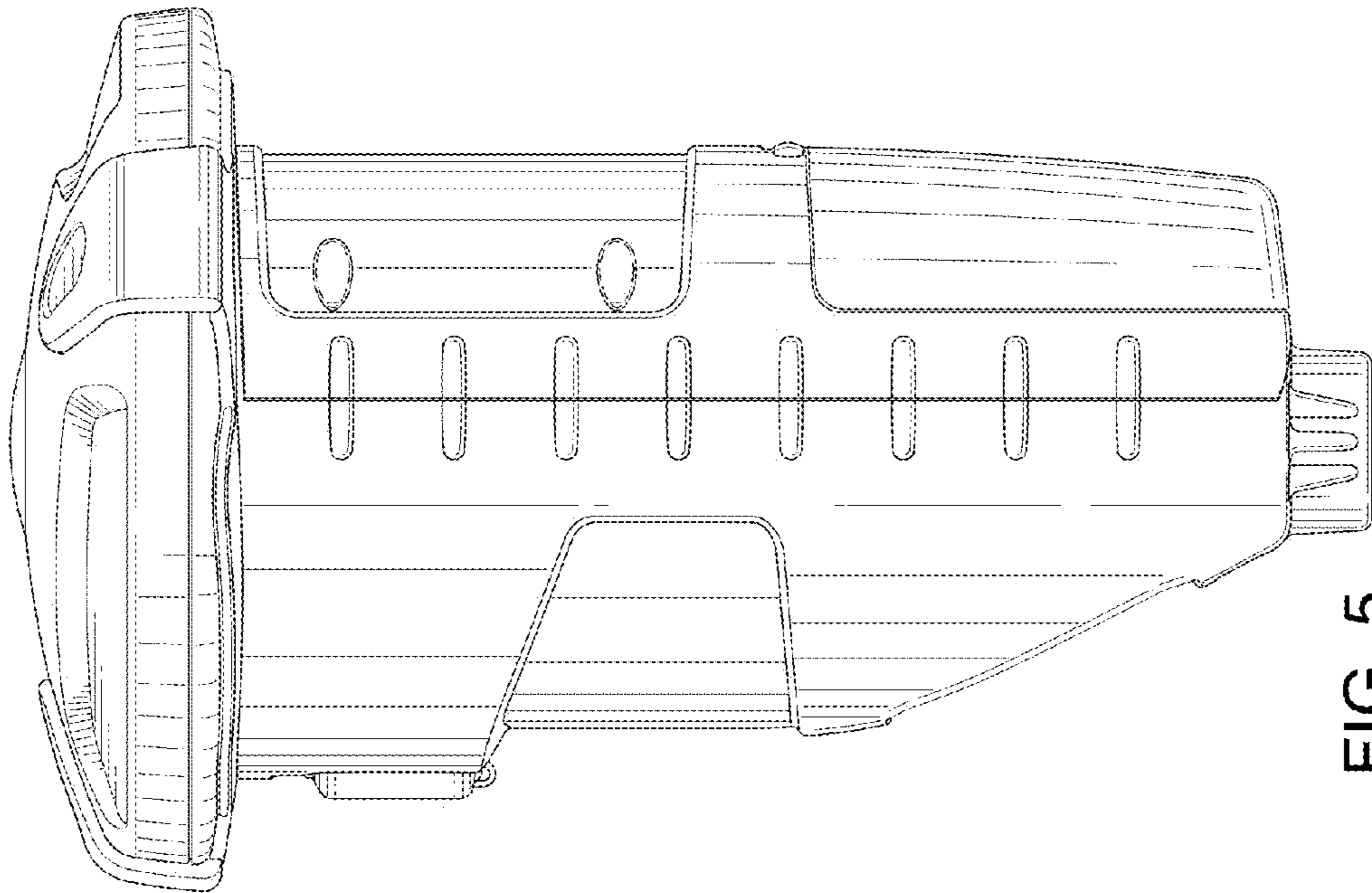


FIG. 5

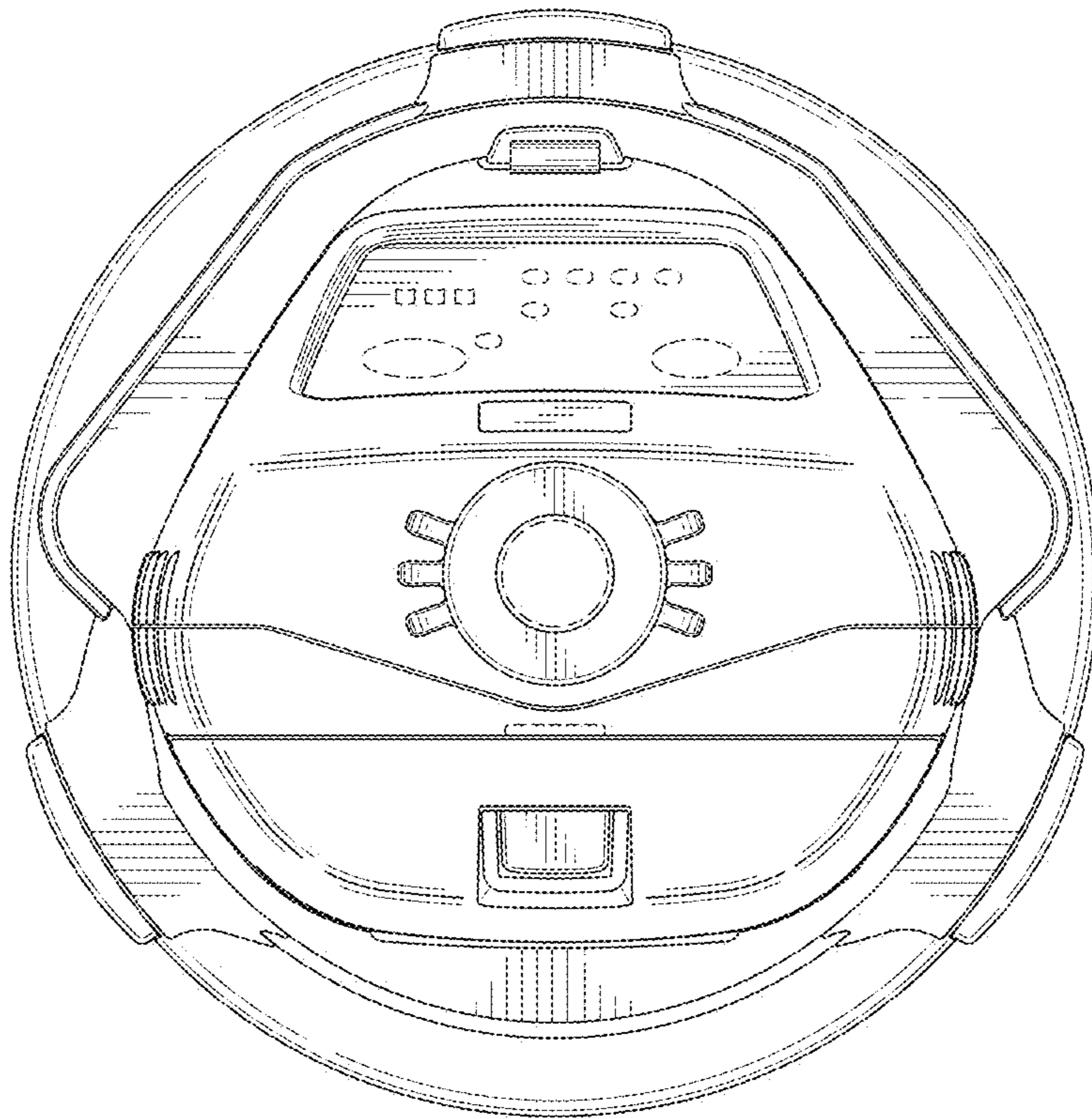


FIG. 7