



US00D708968S

(12) **United States Design Patent**
Tamborra

(10) **Patent No.:** **US D708,968 S**

(45) **Date of Patent:** **** Jul. 15, 2014**

(54) **REFRIGERATION TIME/TEMPERATURE MONITOR**

(76) Inventor: **Dominick Tamborra**, Deltona, FL (US)

(**) Term: **14 Years**

(21) Appl. No.: **29/425,775**

(22) Filed: **Jun. 27, 2012**

(51) **LOC (10) Cl.** **10-04**

(52) **U.S. Cl.**
USPC **D10/49; D10/50**

(58) **Field of Classification Search**
USPC D10/49-50; 62/125, 126, 127, 129,
62/157, 231; 340/585, 588; 702/63, 130,
702/182
See application file for complete search history.

(56) **References Cited**

U.S. PATENT DOCUMENTS

4,041,723	A *	8/1977	Weibel et al.	62/126
4,369,634	A *	1/1983	Ratto	62/126
5,711,160	A *	1/1998	Namisniak et al.	62/125
5,969,606	A *	10/1999	Reber et al.	340/540
6,771,177	B2 *	8/2004	Alderman	340/585
7,360,369	B2 *	4/2008	Tamborra	62/129
D672,666	S *	12/2012	Rhodes et al.	D10/50

D676,768	S *	2/2013	Eyring et al.	D10/50
D679,205	S *	4/2013	Eyring et al.	D10/50
2006/0074586	A1 *	4/2006	Kautz et al.	702/130
2008/0163629	A1 *	7/2008	Chen	62/129

* cited by examiner

Primary Examiner — Antoine D Davis

(74) *Attorney, Agent, or Firm* — Edwards, Wildman, Palmer LLP; Howard M. Gitten

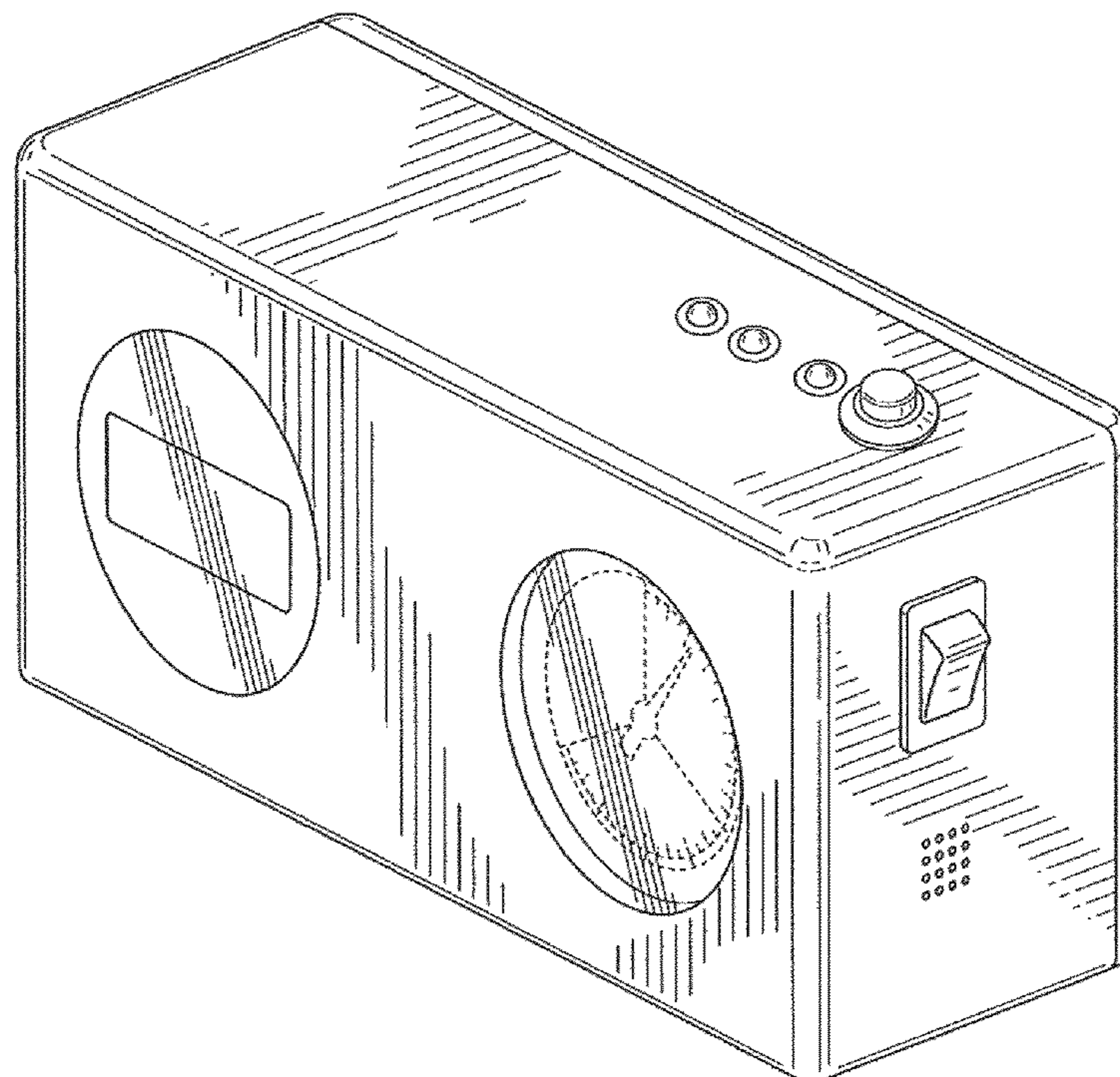
(57) **CLAIM**

The ornamental design of a refrigeration time/temperature monitor, as shown and described.

DESCRIPTION

FIG. 1 is a top perspective view of the refrigeration time/temperature monitor showing a new design; FIG. 2 is a front elevational view thereof; FIG. 3 is a rear elevational view thereof; broken line showing of structural features is included for the purpose of illustrating non-claimed subject matter and forms no part of the claimed design; FIG. 4 is a left side elevational view thereof; FIG. 5 is a right side elevational view thereof; FIG. 6 is a top plan view thereof; and, FIG. 7 is a bottom plan view thereof.

1 Claim, 5 Drawing Sheets



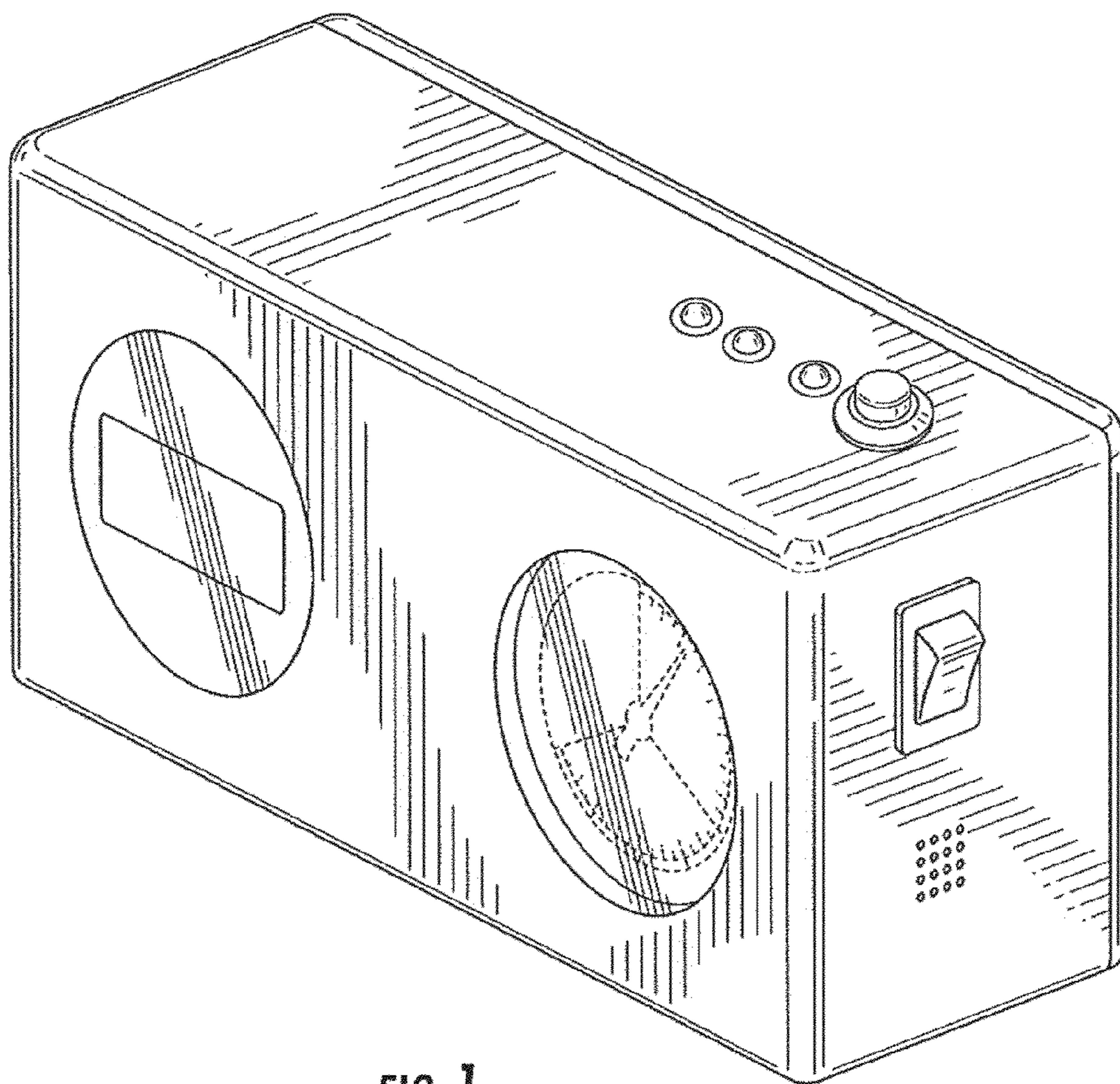


FIG. 1

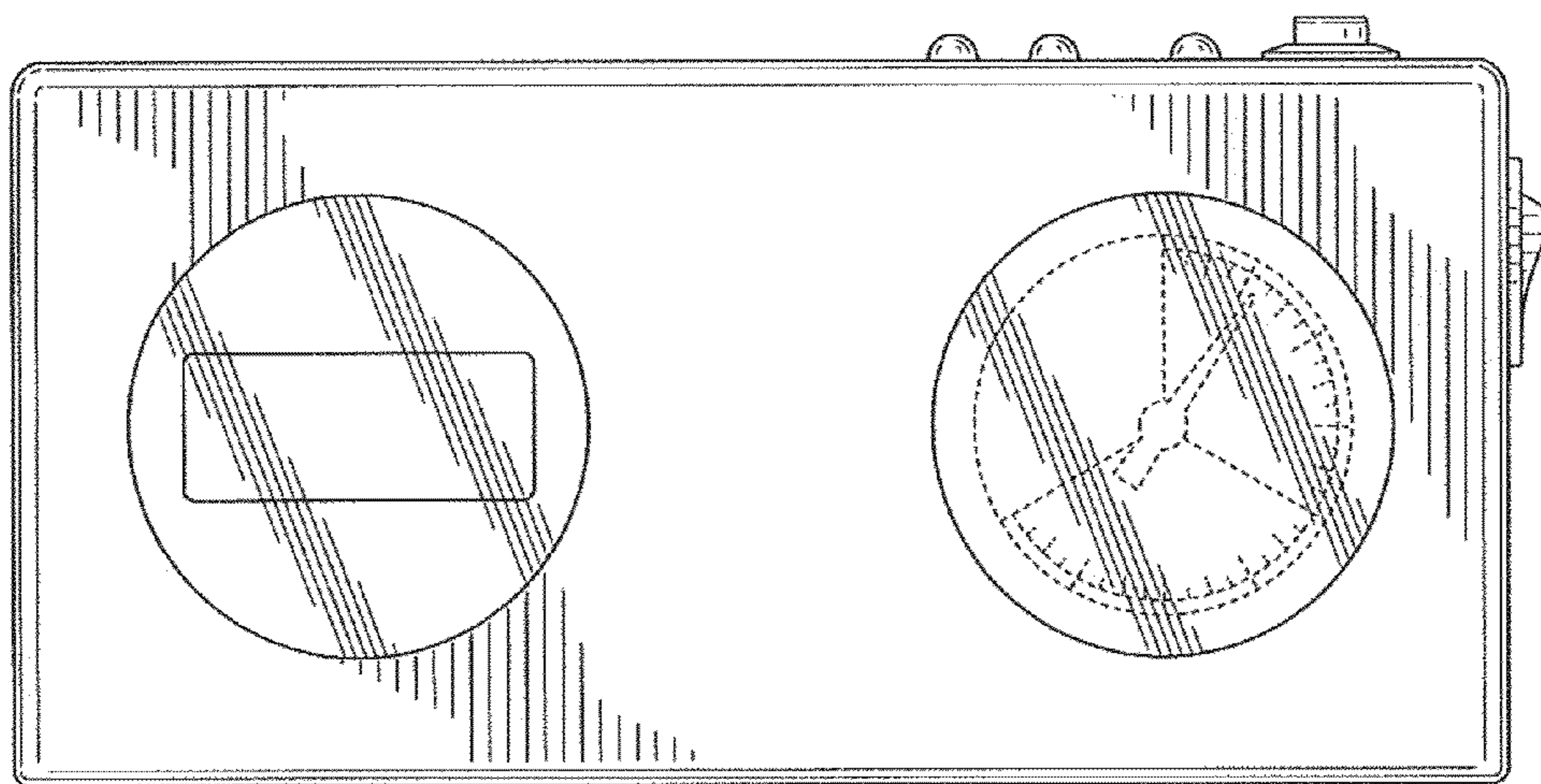
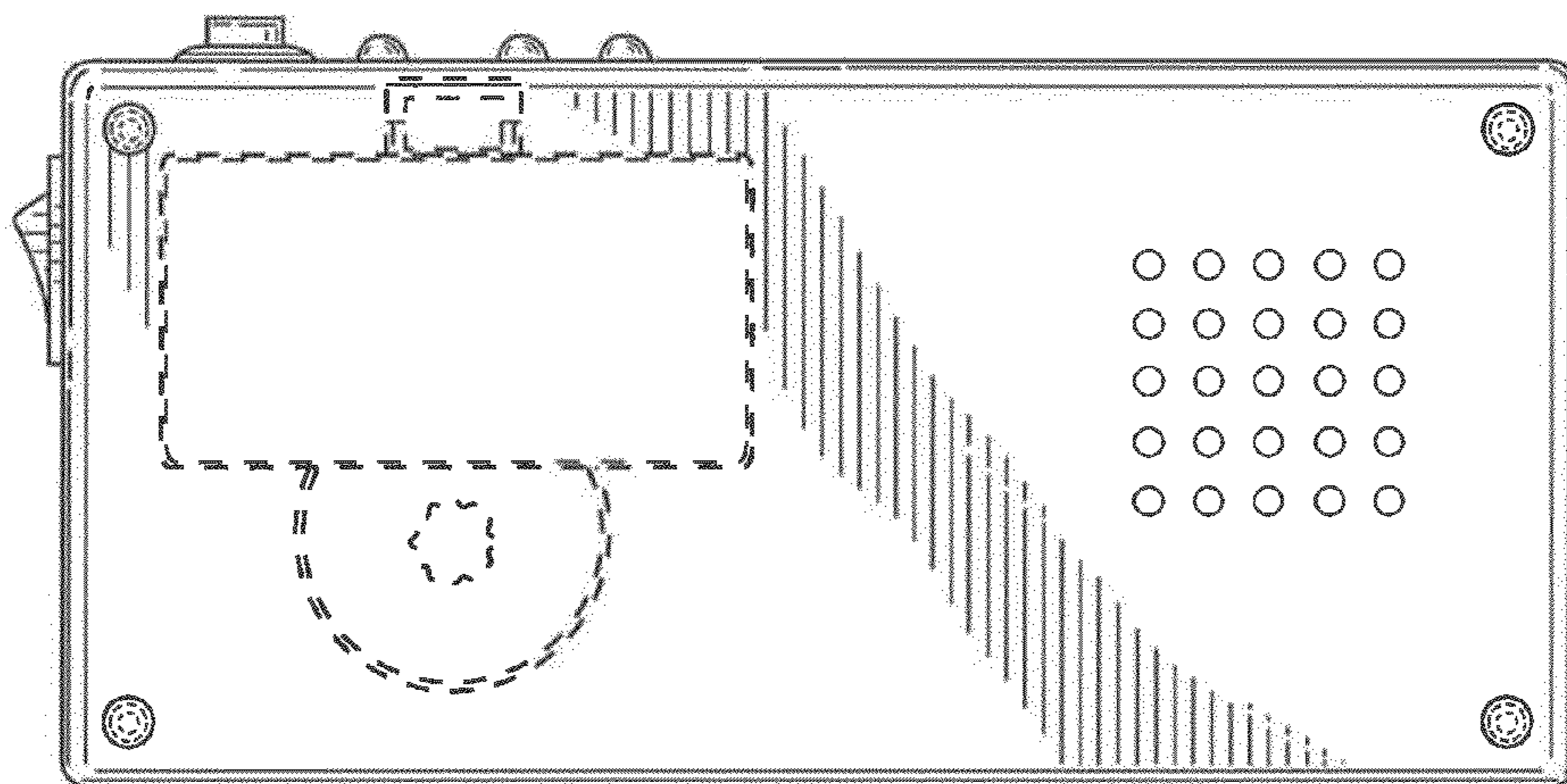


FIG. 2

FIG. 3



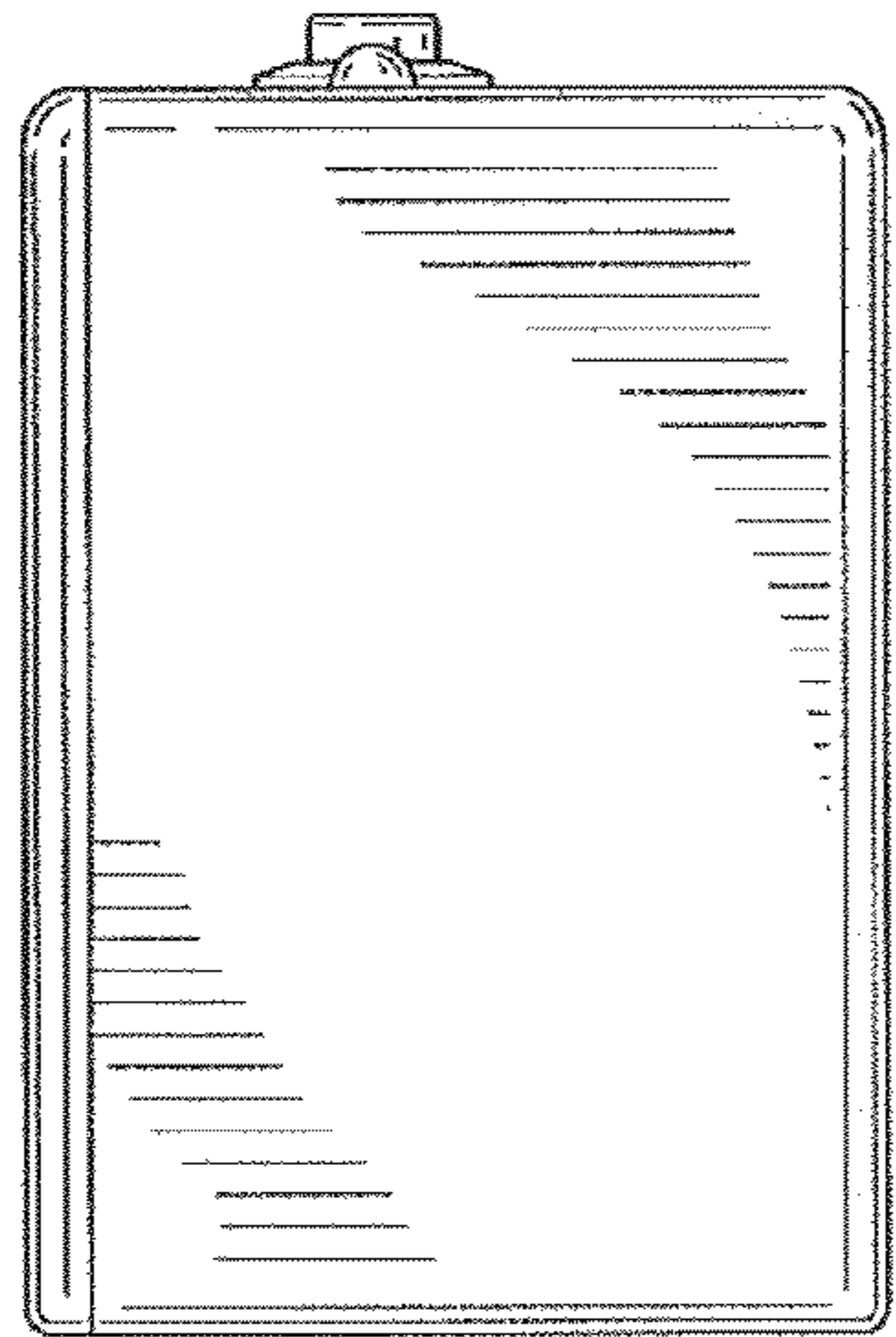


FIG. 4

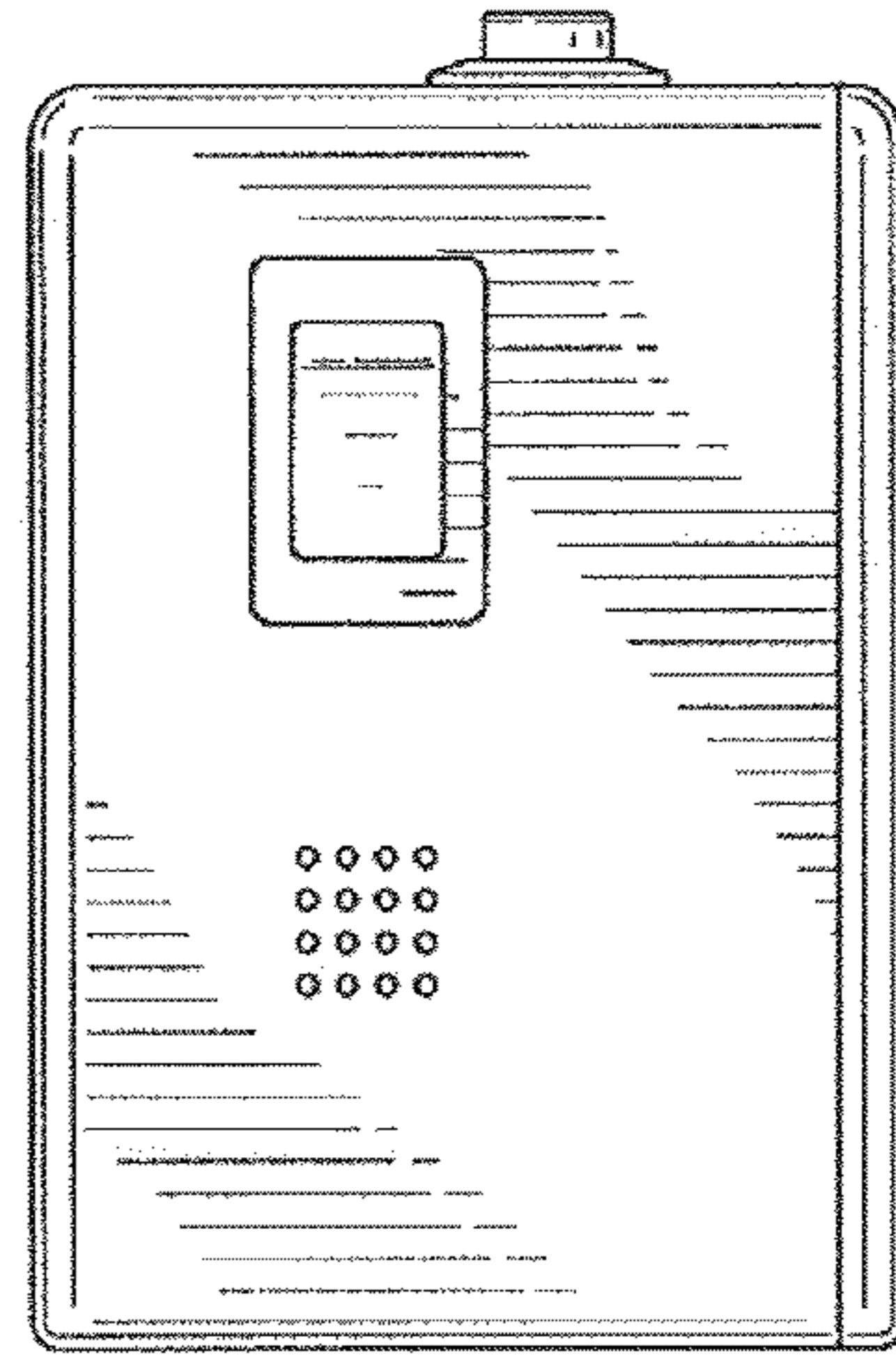


FIG. 5

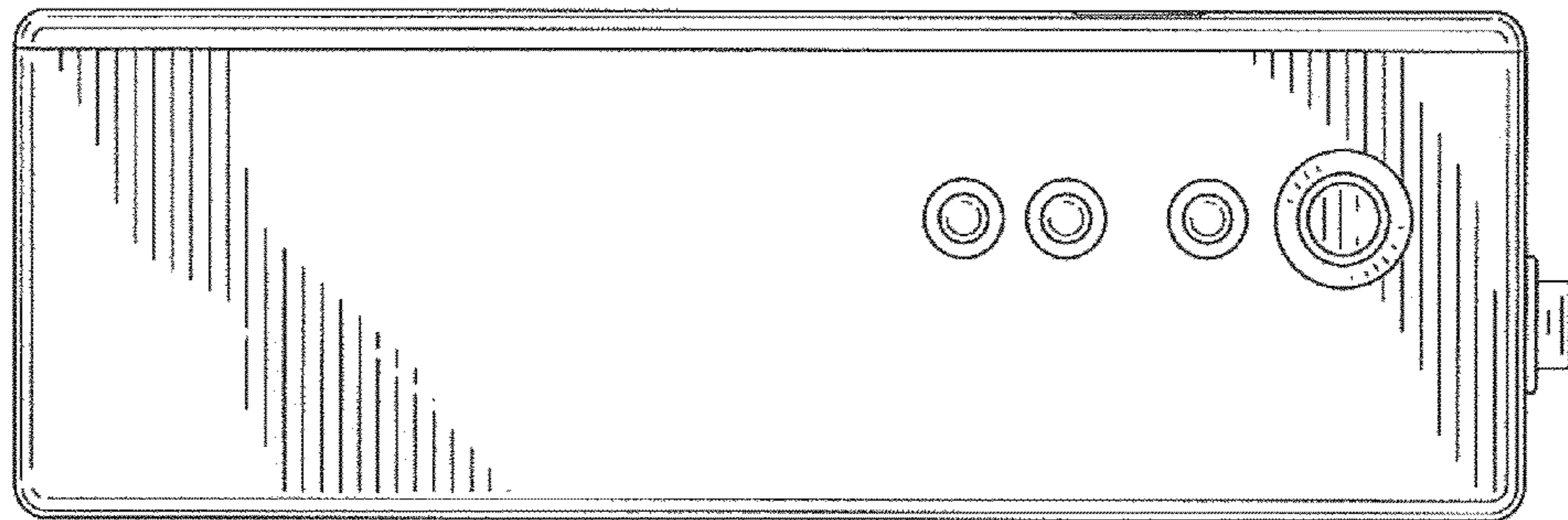


FIG. 6

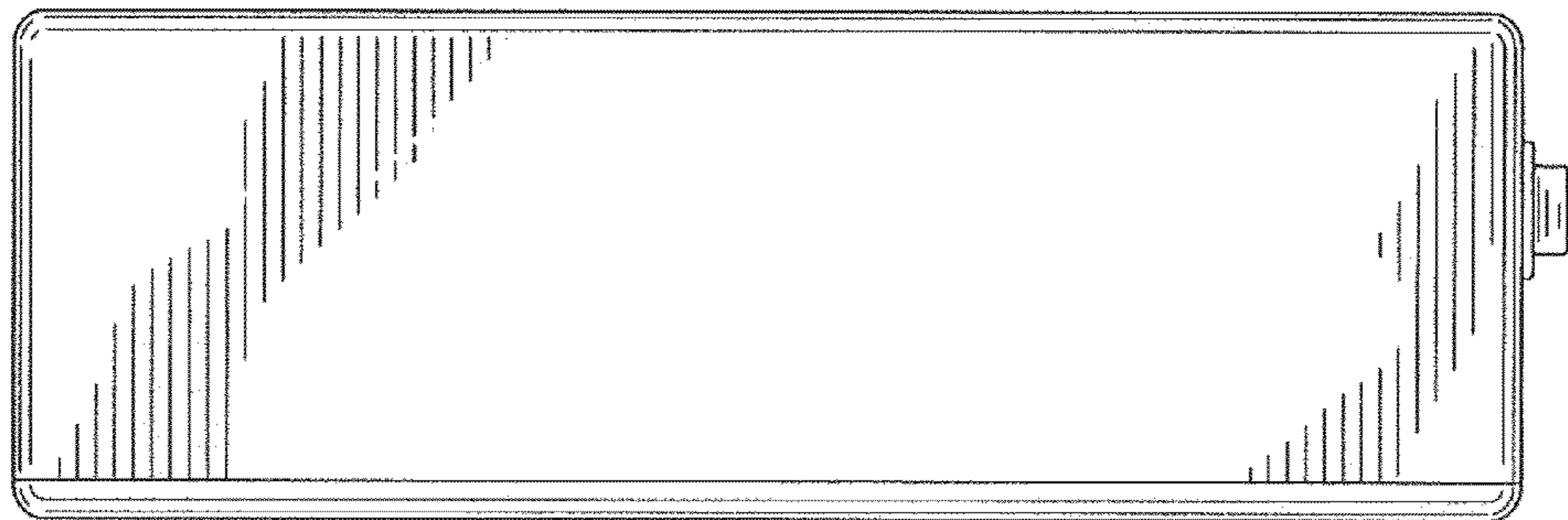


FIG. 7