



US00D708964S

(12) **United States Design Patent**  
**Cerrato**

(10) **Patent No.:** **US D708,964 S**

(45) **Date of Patent:** **\*\* Jul. 15, 2014**

(54) **WATCH**

(75) **Inventor:** **Davide Cerrato**, Geneva (CH)

(73) **Assignee:** **Tudor Watch U.S.A., LLC**, New York, NY (US)

(\*\*) **Term:** **14 Years**

(21) **Appl. No.:** **29/401,885**

(22) **Filed:** **Sep. 16, 2011**

(30) **Foreign Application Priority Data**

Mar. 16, 2011 (CH) ..... 137820

(51) **LOC (10) Cl.** ..... **10-02**

(52) **U.S. Cl.**  
USPC ..... **D10/32; D10/126**

(58) **Field of Classification Search**  
USPC ..... D10/30-39, 122-132; 368/276, 281,  
368/282, 223, 228, 232, 80; D11/3  
See application file for complete search history.

(56) **References Cited**

**U.S. PATENT DOCUMENTS**

D195,421 S *	6/1963	Huguenin	.....	D10/39
D255,016 S *	5/1980	Hofman	.....	D11/3
D284,170 S *	6/1986	Kurimura	.....	D10/32
D293,418 S *	12/1987	Fukumura	.....	D10/32
D295,838 S *	5/1988	Ando	.....	D10/32
D301,310 S *	5/1989	Nakai	.....	D10/32
D311,149 S *	10/1990	Robert	.....	D10/126
D321,836 S *	11/1991	Hysek	.....	D10/39
D344,468 S *	2/1994	Kaneko	.....	D11/3

D348,011 S *	6/1994	Houlihan	.....	D10/32
D380,975 S *	7/1997	Luchun	.....	D10/126
D435,223 S *	12/2000	Bodino	.....	D10/32
D502,120 S *	2/2005	Nataf	.....	D10/126
D538,182 S *	3/2007	Lalo	.....	D10/32
D577,609 S *	9/2008	Modolo	.....	D10/32
D578,904 S *	10/2008	Calvani	.....	D10/39
D589,372 S *	3/2009	Miloradovic	.....	D10/32
D619,486 S *	7/2010	Cerrato	.....	D10/126
D657,697 S *	4/2012	Lammers-Meis et al.	.....	D10/38
D666,504 S *	9/2012	Koutsolioutsos	.....	D10/32
D684,486 S *	6/2013	Messmer et al.	.....	D10/39

\* cited by examiner

*Primary Examiner* — Lucy Lieberman

(74) *Attorney, Agent, or Firm* — Sughrue Mion, PLLC

(57) **CLAIM**

The ornamental design for a watch, as shown and described.

**DESCRIPTION**

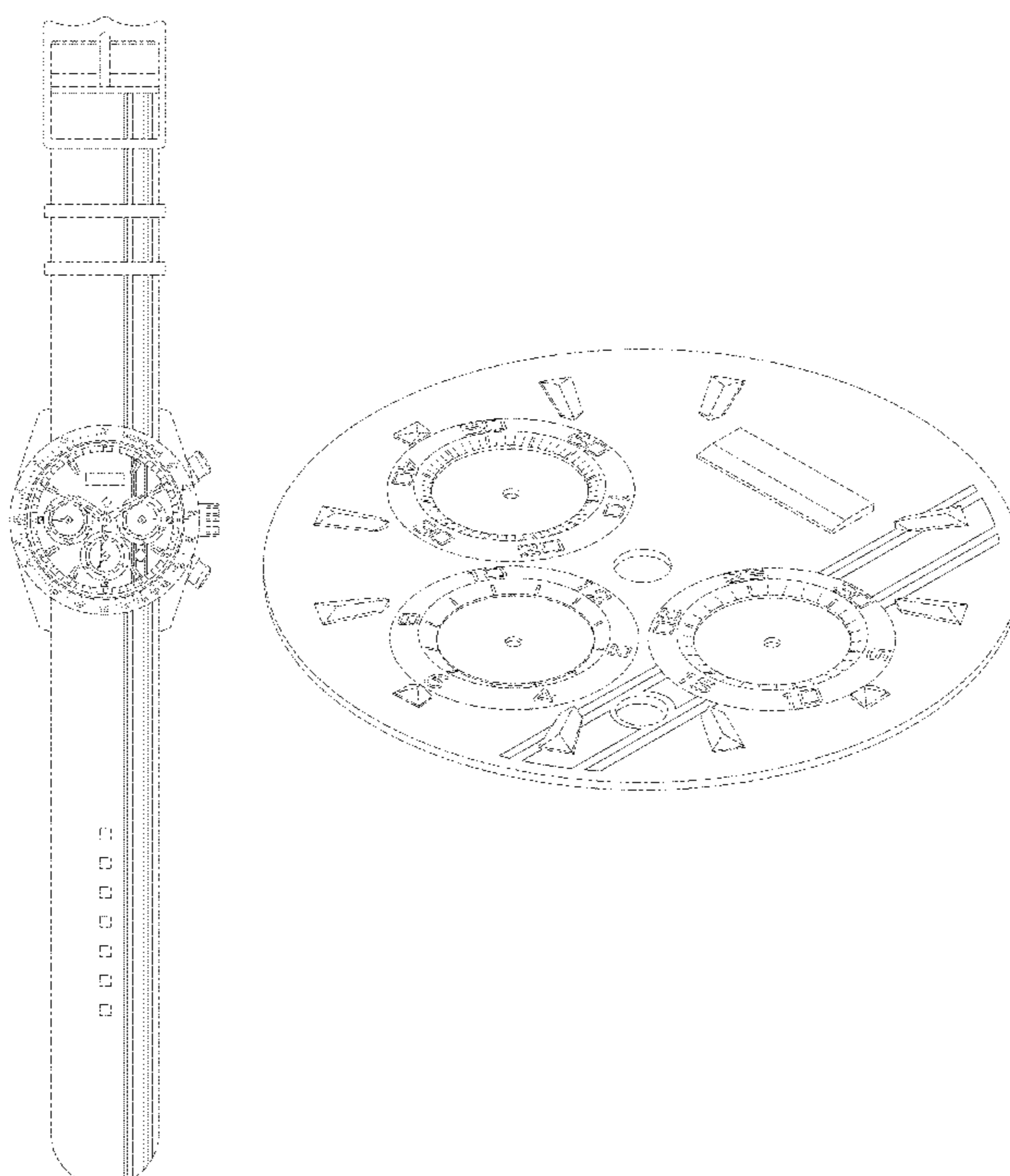
FIG. 1 is a right-top perspective view of the watch;  
 FIG. 2 is a top view of the watch;  
 FIG. 3 is a right side view of the watch;  
 FIG. 4 is a left side view of the watch;  
 FIG. 5 is right-top perspective view of the watch's dial; and,  
 FIG. 6 is a top view of the watch's dial.

The portions of the watch shown in broken lines are for the purpose of showing environment and form no part of the claimed design.

The watch dial is shown separately and on an enlarged scale in two of the drawing views for clarity of illustration only.

The claim is directed to the surface ornamentation that is shown in solid lines on the watch dial and band.

**1 Claim, 5 Drawing Sheets**



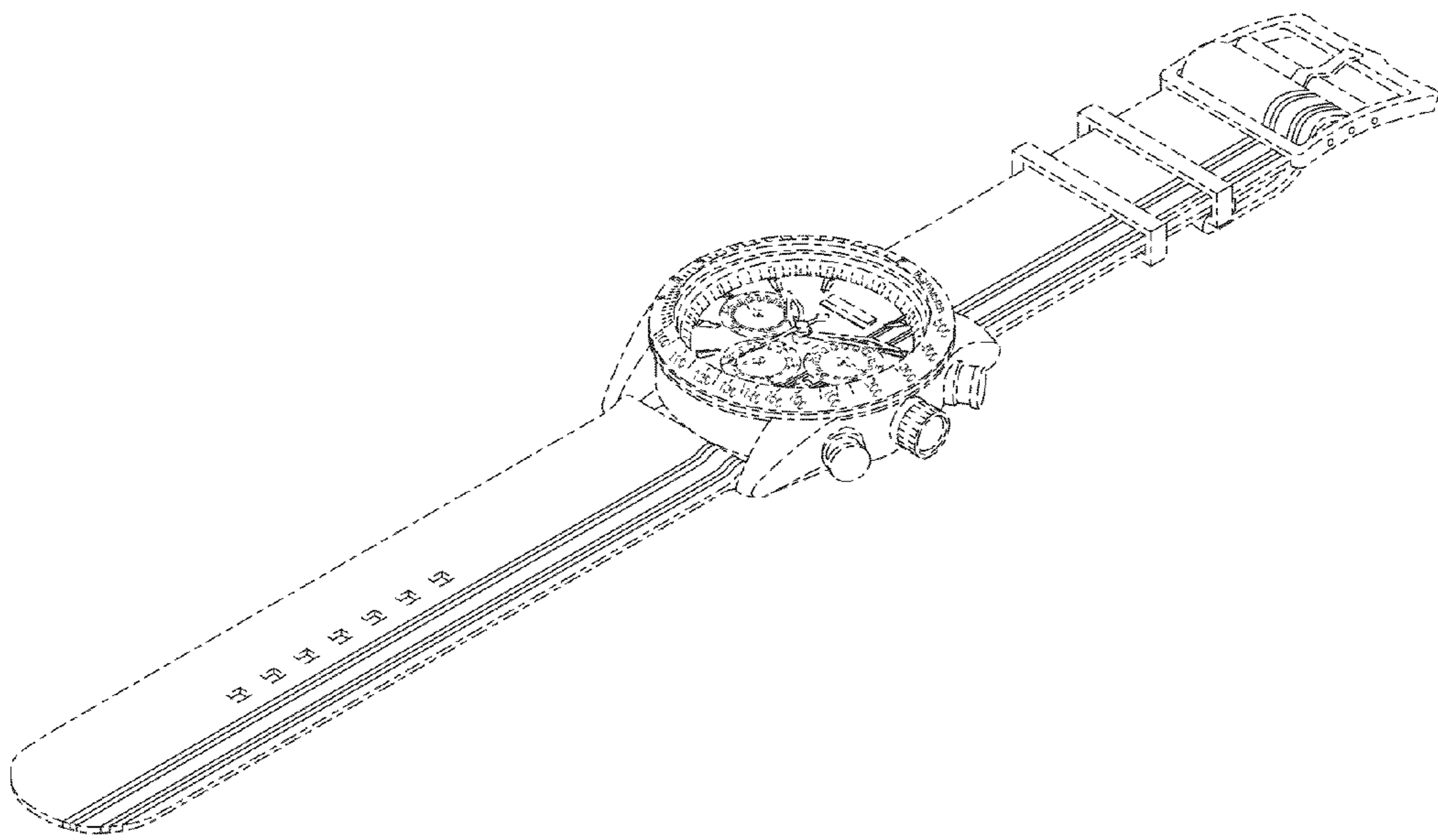


FIG. 1

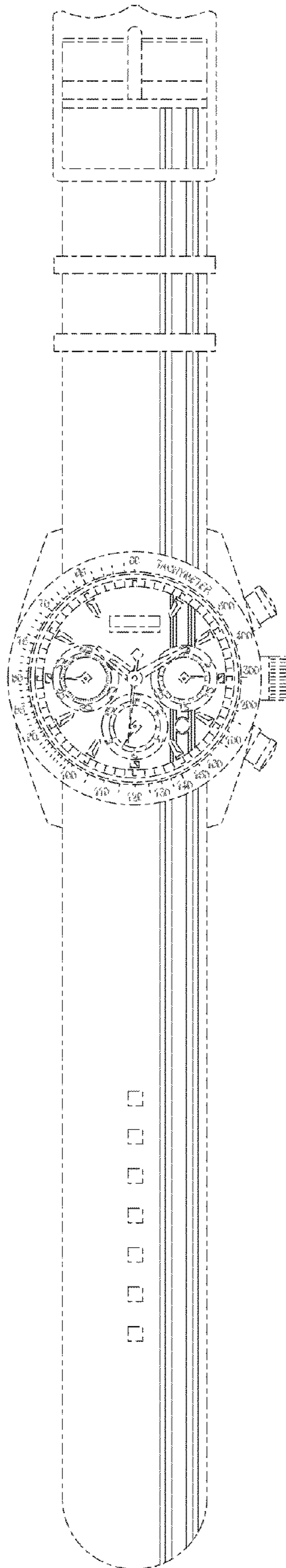


FIG. 2

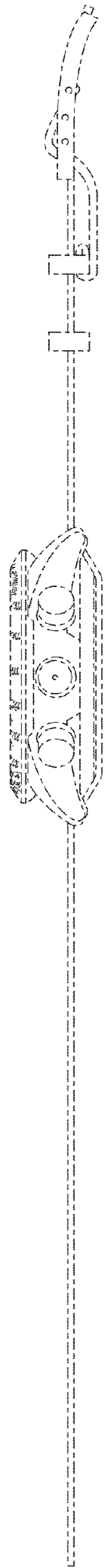


FIG. 3

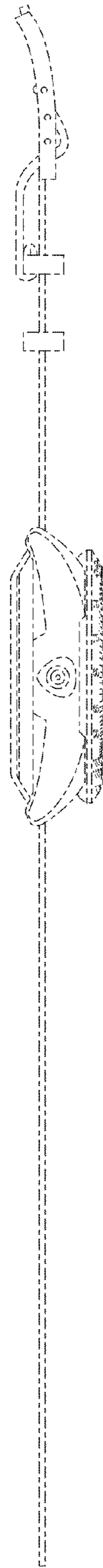


FIG. 4

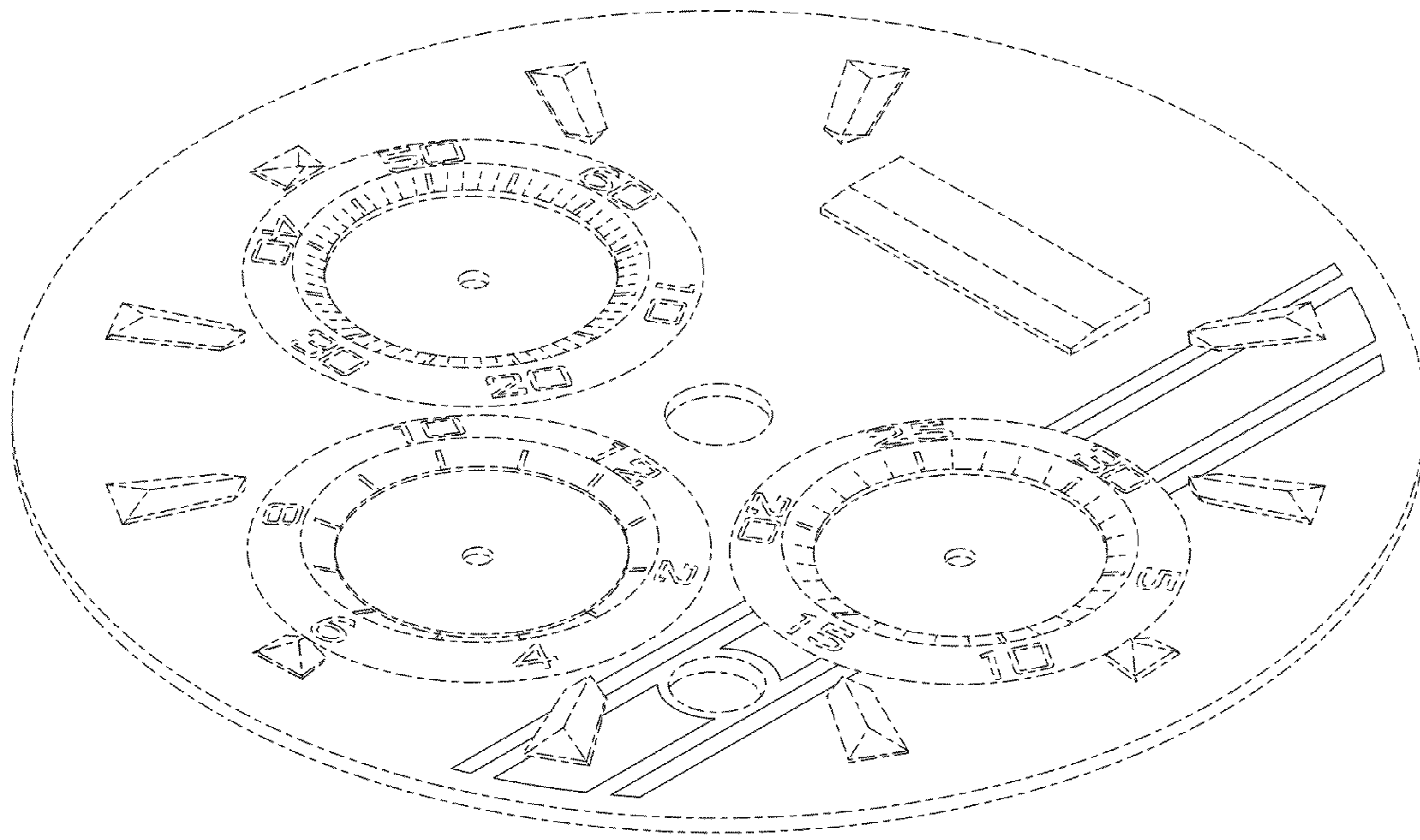


FIG. 5

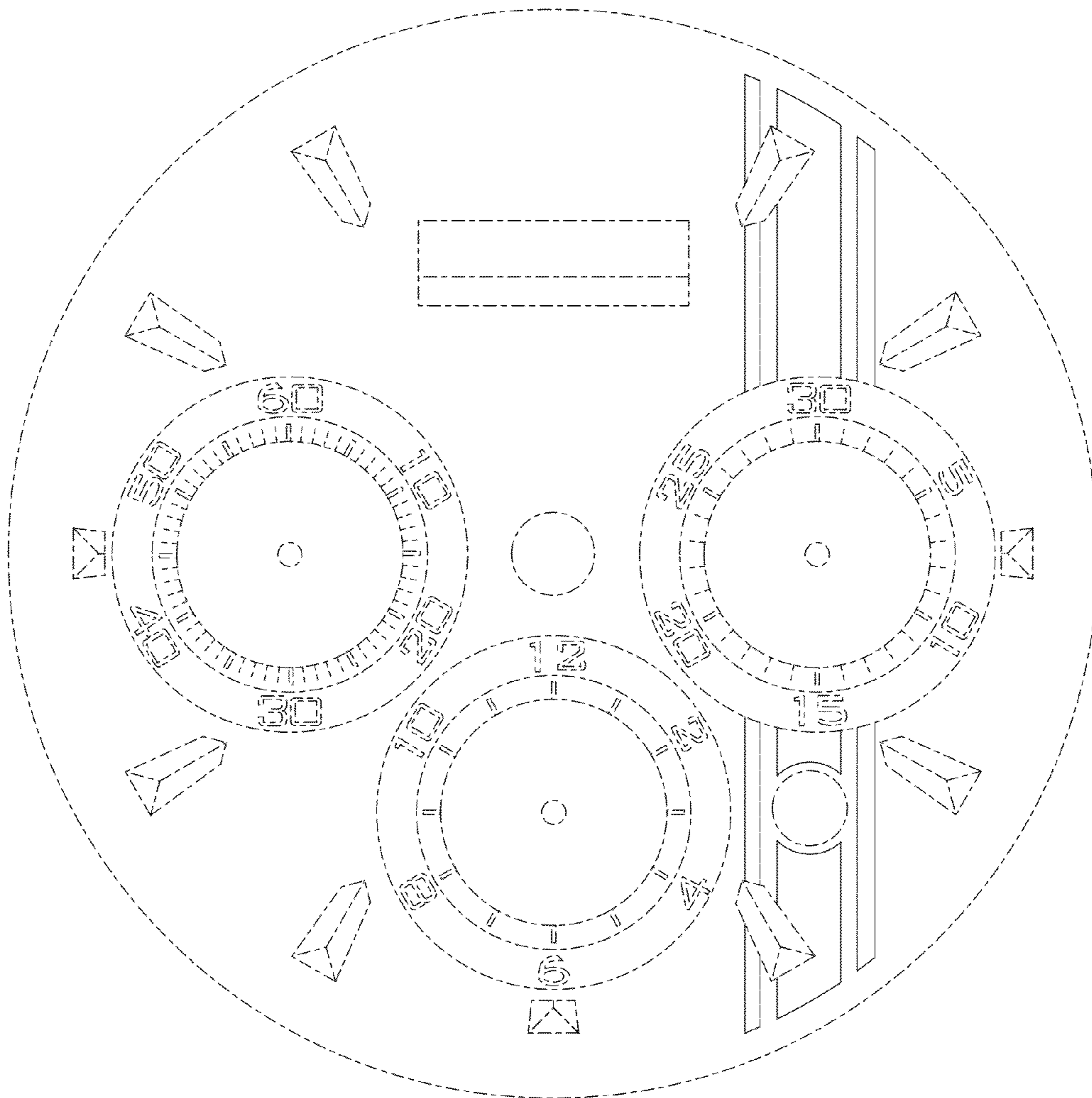


FIG. 6